

# *easyE-line*



*linear in-line actuators*

**Bansbach**  
*easylift*

Gear ratio	C*	D	E	F	G	H
<i>easyE-35</i>		<i>12/24VDC power supply, permanent magnet motor</i>				
Maximum load [N]	120	400	600	900	1600	2200
Speed at maximum load [mm/s]	33	16	12	7,5	4	3
Current at maximum load: 12VDC = 3,6A, 24VDC = 1,8A						
<i>easyE-50</i>		<i>12/24VDC power supply, permanent magnet motor</i>				
Maximum load [N]	500	1750	2200	3100	4500	4500
Speed at maximum load [mm/s]	70	20	17	12	6	4
Current at maximum load: 12VDC = 16A, 24VDC = 8A						
<i>easyE-60</i>		<i>24VDC power supply, permanent magnet motor</i>				
Maximum load [N]		1900	4300	6600	8100	10000
Speed at maximum load [mm/s]		31	14	9	6	5
Current at maximum load: 24VDC = 10A						

\*only 24V DC power supply

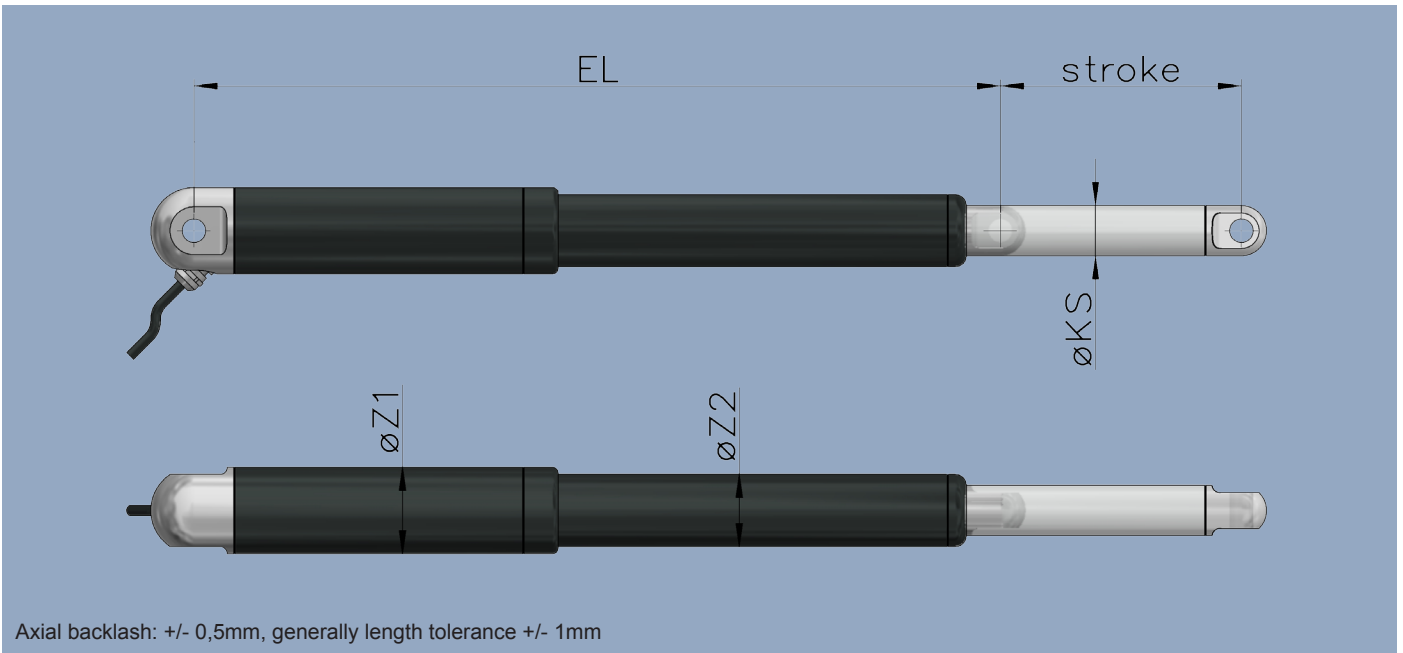
## Features:

- Stroke length: 50, 100, 150, 200, 250, 300, 350, 400, 500 and 750mm (others on request)
- Cable:
  - easyE-35: 1m, 2X0.65mm<sup>2</sup> (AWG19), Ø = 4.8mm, black, Molex Mini-Fit Jr. 6 pin
  - easyE-50: 1m, 2X1.3mm<sup>2</sup> (AWG16), Ø=6.4mm, black, Molex Mini-Fit Jr. 6 pin
  - easyE-60: 1m, 2X1.3mm<sup>2</sup> (AWG16), Ø=6.4mm, black, Molex Mini-Fit Jr. 6 pin
- Bending radius: 6x cable diameter
- Materials: Motor and actuator tube are powder coated steel or stainless steel  
Piston rod is aluminum (easyE-35) or stainless steel (easyE-50 and easyE-60)  
Front and rear brackets are PA, Aluminium or stainless steel
- Protection class: IP66 (standard), IP68, IP69K, ATEX
- Max. static load/  
Self locking force
  - easyE-35: PA brackets: 2000N Alu/AISI: 5400N
  - easyE-50: PA brackets: 4700N Alu/AISI: 16800N
  - easyE-60: Alu/AISI: 16800N
 Depending on stroke length for push-applications
- Temperature: -5°C to +70°C
- Duty cycle: Max. 10% or 2 minutes in use followed by 18 minutes rest

## Please Note:

- Power supply without over-current protection can cause serious damage to the actuator at mechanical end-stop or when actuator is overloaded in another way
- Effective stroke is reduced by up to 3mm
- Radial forces might have an adverse affect on the performance or lead to damage of the actuator
- Keep piston tube clean
- Longer cable lengths may cause voltage drop which affects the performance of the actuator
- For medical applications maximum ambient temperature is 48°C
- Function of the actuator is subject to the settings of the control box
- The dust and water sealing of IP68/IP69K actuators might affect their performance
- All specifications are for 25 °C ambient – low temperature might affect performance

Please note the important advices at [www.bansbach.de/easyE-line](http://www.bansbach.de/easyE-line)



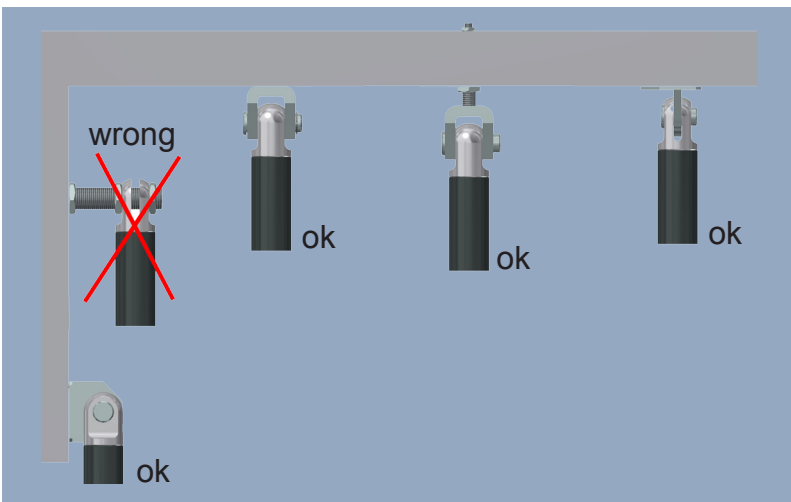
Axial backlash: +/- 0,5mm, generally length tolerance +/- 1mm

	EL	ØZ1	ØZ2	ØKS	Clevis rear	Hall	UL/ EN60.601	IP68/ IP69K
<b>easyE-35</b>								
Gear ratio: C, D, E, F	stroke+160*	35	28	20	+10	+10	+10	+11
Gear ratio: G, H	stroke+170*							
<b>easyE-50</b>								
Gear ratio: C, D, E, F	stroke+240	50	40	30	-	+15	+15	+14
Gear ratio: G, H	stroke+255							
<b>easyE-60</b>								
Gear ratio: all ratios	stroke+358	60	50	35	-	+15	+15	+25

\*If stroke >500mm: EL+7mm, if stroke >700mm: EL+42mm

### Recommended mounting methods:

- Do not clamp actuators on tubing
- Always keep both brackets mounted in the same orientation and ensure to flush mount actuator
- Brackets must always be able to rotate on axis in mountings



## Choose your actuator:

### 1. Model:

- easyE-35
- easyE-50
- easyE-60

### 2. Stroke length:

- 50, 100, 150, 200, 250, 300, 350, 400, 500 and 750mm (others on request)

### 3. Gear ratio:

- C, D, E, F, G, H (speed and load see table)

### 4. Voltage:

- 12V DC (only easyE-35 and easyE-50)
- 24V DC
- 24V EN/UL 60.601

### 5. Temperature:

- standard (-5°C - +70°C)
- low (-40°C - +70°C)
- high (-5°C - +90°C)

### 6. Cable length:

- 1m - 9m (others on request)

### 7. Connector:

- no connector
- Molex minifit

### 8. Material:

- Standard steel
- AISI 316

### 9. Protection class:

- IP66 (standard)
- IP68
- IP69K
- ATEX zone 22, group II 3D compliant

### 9. Certification (only easyE-35 and easyE-50):

- EN/UL/CSA 60.601 (only 24 V DC)

### 10. Hall sensor:

- no (standard)
- yes (cable will change)

### 11. Low noise:

- no (standard)
- yes (not available in stainless steel)

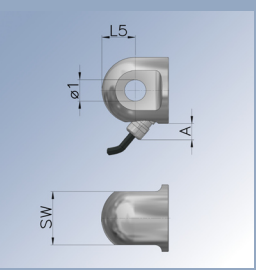
### 12. Color:

- Black (standard)  
Available in all RAL colors

### 13. Connecting parts




## Connecting parts “motor side“:

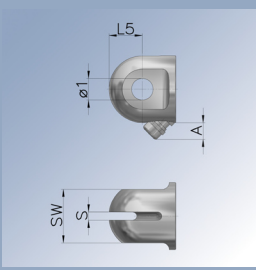


Code	Ø1	L5	SW	A	Material	Max static load
<i>easyE-35</i>	(mm)	(mm)	(mm)	(mm)		
A1M	10	17,5	28	6	Alu	5400 N
B1M	10	17,5	28	-	Polyamid (PA)	2000 N
C1M	10	17,5	28	6	stainless steel	5400 N
<i>easyE-50</i>						
A2M	16	25	40	12,3	Alu	16800 N
B2M	16	25	40	-	Polyamid (PA)	4700 N
C2M	16	25	40	12,3	stainless steel	16800 N
<i>easyE-60</i>						
A3M	16	30	50	12,3	Alu	16800 N
C3M	16	30	50	12,3	stainless steel	16800 N

*with spherical bearings*



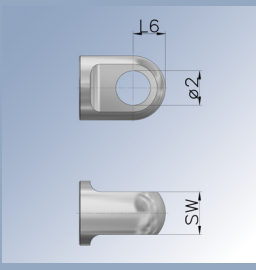
Code	Ø1	L5	SW	A	Material	Max static load
<i>easyE-35</i>	(mm)	(mm)	(mm)	(mm)		
E1M	8	17,5	28	-	Alu	5400 N
<i>easyE-50</i>						
E2M	12	25	40	-	Alu	11000 N



Code	Ø1	L5	SW	A	S	Material	Max static load
<i>easyE-35</i>	(mm)	(mm)	(mm)	(mm)	(mm)		
F1M	10	17,5	28	6	6,2	Alu	5400 N
G1M	10	17,5	28	-	4,2	Polyamid (PA)	2000 N
H1M	10	17,5	28	6	6,2	stainless steel	5400 N
<i>easyE-50</i>							
F2M	16	25	40	12,3	6,2	Alu	16800 N
G2M	16	25	40	-	6,2	Polyamid (PA)	4700 N
H2M	16	25	40	12,3	6,2	stainless steel	16800 N


PA-connecting parts are not available for gear ratio G and H

## Connecting parts “piston rod side“:

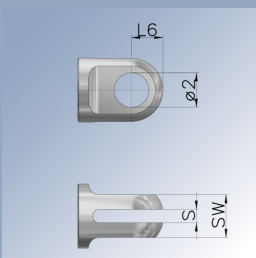


Code	Ø2	L6	SW	Material	Max static load
<i>easyE-35</i>	(mm)	(mm)	(mm)		
A1K	10	10	13	Alu	5400 N
B1K	10	10	13	Polyamid (PA)	2000 N
C1K	10	10	13	stainless steel	5400 N
<i>easyE-50</i>					
A2K	16	15	20	Alu	16800 N
B2K	16	15	20	Polyamid (PA)	4700 N
C2K	16	15	20	stainless steel	16800 N
<i>easyE-60</i>					
A3K	16	17,5	25	Alu	16800 N
C3K	16	17,5	25	stainless steel	16800 N

*with spherical bearings*



Code	Ø2	L6	SW	Material	Max static load
<i>easyE-35</i>	(mm)	(mm)	(mm)		
E1K	8	12	18	Alu	5400 N
<i>easyE-50</i>					
E2K	12	15	20	Alu	11000 N



Code	Ø2	L6	SW	S	Material	Max static load
<i>easyE-35</i>	(mm)	(mm)	(mm)	(mm)		
F1K	10	10	15	6,2	Alu	5400 N
G1K	10	10	13	4,2	Polyamid (PA)	2000 N
H1K	10	10	15	6,2	stainless steel	5400 N
<i>easyE-50</i>						
F2K	16	15	20	6,2	Alu	16800 N
G2K	16	15	20	6,2	Polyamid (PA)	4700 N
H2K	16	15	20	6,2	stainless steel	16800 N

PA-connecting parts are not available for gear ratio G and H

## Controllers:

### EEL-S1

For 1-3 actuators



#### FEATURES:

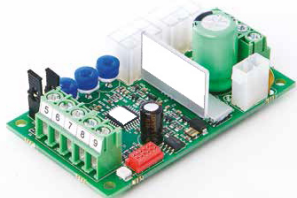
- Plug and play solution
- Handset or external switches
- for easyE-35 and easyE-50

#### TECHNICAL DETAILS:

- Supply: 230 V

### EEL-S2-1

For 1 actuator



#### FEATURES:

- Adjustable start and stop ramp
- Adjustable current limit
- Continuous-mode, impulse-mode
- Easy interfacing to PLC etc.
- DIN-rail fittable
- Hall sensors not supported

#### TECHNICAL DETAILS:

- Supply: 12 or 24 VDC
- Over voltage protection: 40 V
- Idle current: Approx. 15 mA
- Driving current: 10 A continuous, 16 A with duty cycle 50%, Max 16 A on duty 2 min

### EEL-S2-2

For 1 actuator



#### FEATURES:

- Precise position control from analog voltage input
- Adjustable start and stop ramp
- Settable current limit
- High momentary load capacity
- DIN-rail base fittable
- "Position reached" - signal
- Hall sensors necessary

#### TECHNICAL DETAILS:

- Supply voltage: 12 or 24 VDC
- Actuator current continuous max: 15A
- Current limit adj.: 0.1-20A
- Overheat limit: 100°C
- Hall input freq.: Max 1kHz
- Input control logic (pos.): High=4-30V, Low=0-1V or open

### EEL-S2-3

For 2 actuators



#### FEATURES:

- Synchronized operation of 2 actuators
- Current and temperature protection
- Settable drive speed
- Adjustable start- and stop ramp
- Easy setting with serial interface
- Autobalance feature
- Hall sensors necessary

#### TECHNICAL DETAILS:

- Supply Voltage: 12 or 24 VDC
- Quiescent current: 15mA
- Motor current: 2x10A cont. 2x20A, 25% duty
- Current limit: 1-20A
- Pulse input freq. max.: 1kHz
- Pulse inputs pull- up/down: 10kO
- Control inputs: 0-1V=OFF; 4-30V=ON

### EEL-S3

### EEL-S4

For 1-4 actuators



#### FEATURES:

- Battery powered for mobile use
- 24VDC NiMH or Li-Ion battery
- Customized colors and foil design
- Wired handset

#### EEL-S3:

- 1 actuator
- up- and down function

#### EEL-S4:

- Adjustable current limit in and out
- Adjustable calibration speed and current
- Adjustable virtual min/max-position
- Individual or synchronous operation for drive 1-4 actuators

#### TECHNICAL DETAILS:

- Supply: 24VDC NiMH or Li-Ion battery
- Idle current: < 5mA
- Current limit: 8A/ch max. total 12A
- Ramps 0-3 sec
- Connector type Molex Mini-Fit 6 pin

The flyer is subject to technical alterations and printing mistakes.

**Bansbach easylift GmbH**

Barbarossastraße 8  
D-73547 Lorch

Tel. +49 (0) 7172/9107-0  
Fax +49 (0) 7172/9107-44

info@bansbach.de  
www.bansbach.de

**Bansbach**  
*easylift*

06/2017