

Productivity • ergonomic • compact • agile • V4A / 316L

**PUSHER**  
CHARGING TROLLEY  
DIN 9797 CONTAINER

## PUSHER

For the transport of DIN 9797 container/charging trolleys.



low  
maintenance



shockproof



safe use



low noise



wireless



IP65



“Your smart partner in handling

food containers (DIN 9797)”



# PUSHER

## Technical data

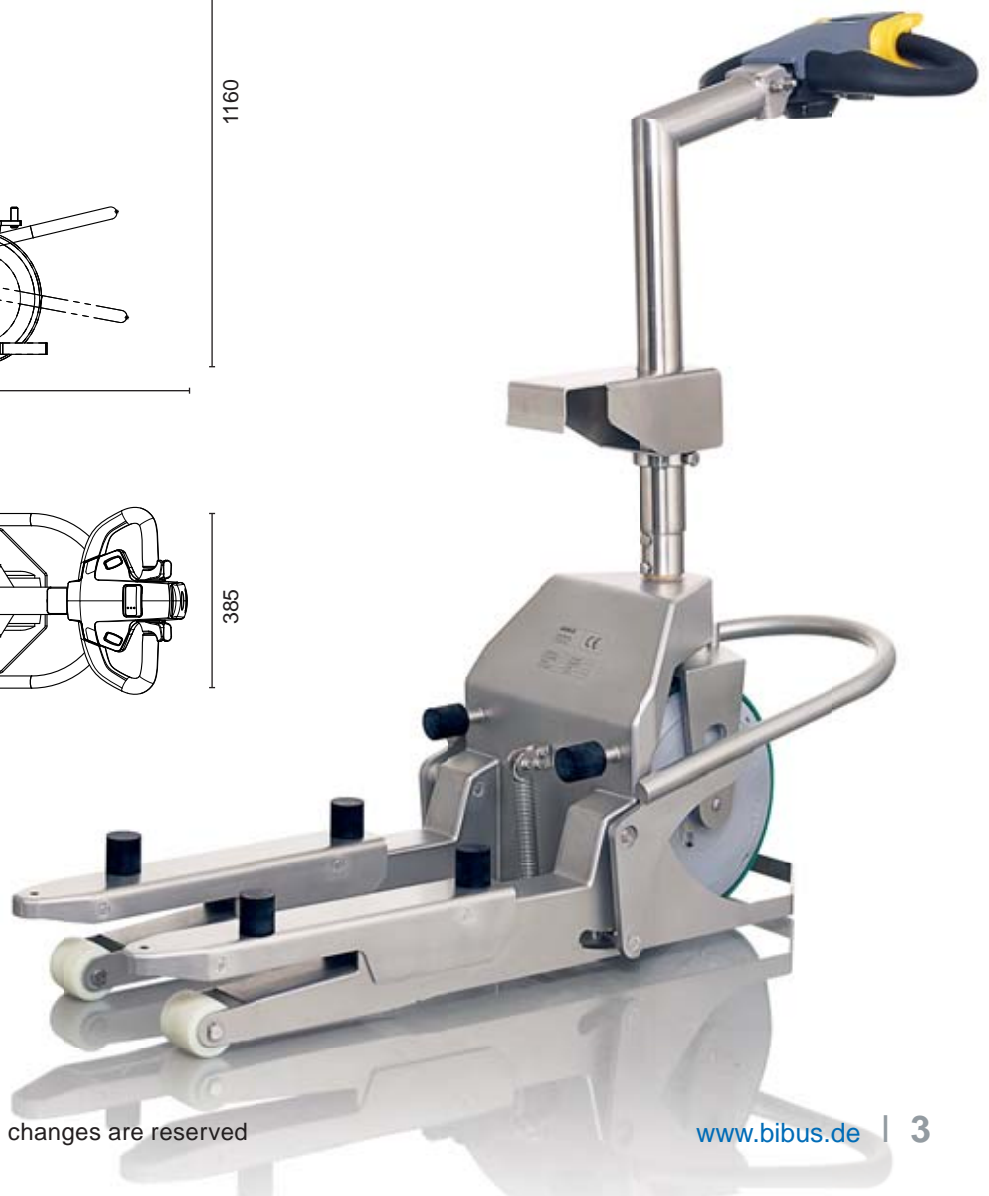
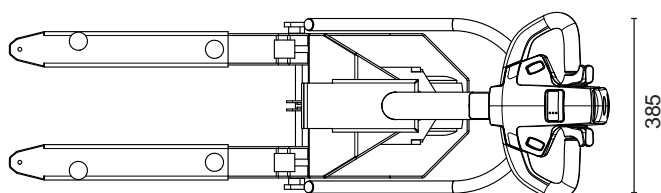
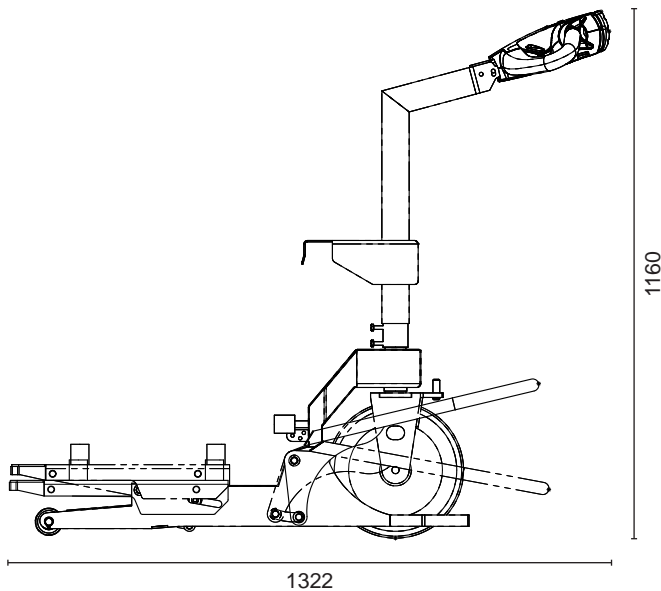
article number	PUSHER-001
max. capacity	400 kg
speed	3-5 km/h (individual adjustable)
protection class	IP65
sound level	73 dB
material	stainless steel V4A / 316 L
tiller head	wireless, with horn and belly button

**IP65**  
WATER RESIST.

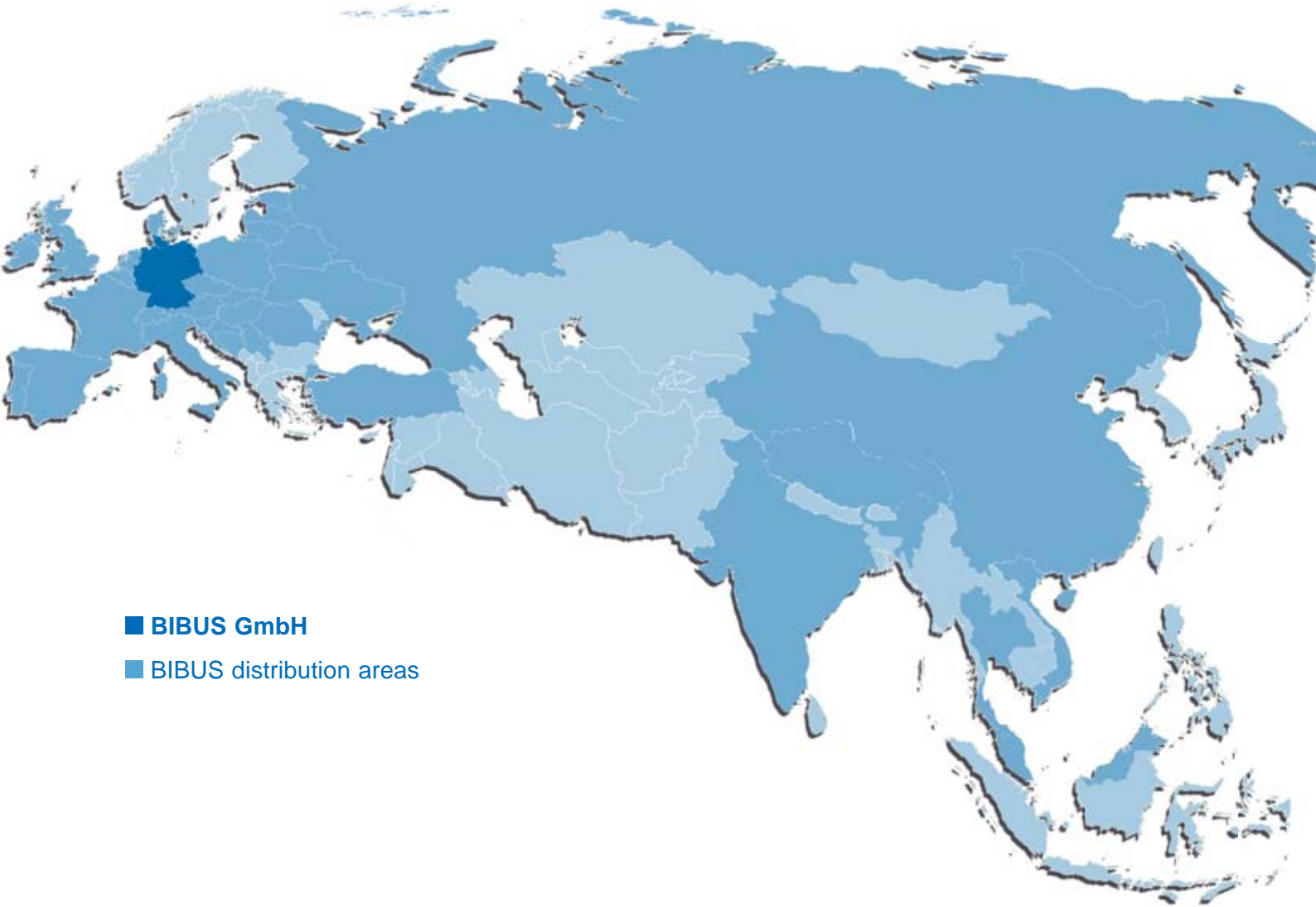
  

**WIRELESS**

**STAINLESS  
STEEL**  
316 L



DEVELOPMENT  
LOGISTIC  
SERVICE



- **BIBUS GmbH**
- BIBUS distribution areas

BIBUS GmbH  
Max-Eyth-Straße 41/1  
DE-89231 Neu-Ulm

Phone: +49 731 20769-0  
Fax: +49 731 20769-620

E-Mail: [info@bibus.de](mailto:info@bibus.de)  
[www.bibus.de](http://www.bibus.de)