

item



Systematic innovation
New Products 2021/ I

Experience innovation – new item products for 2021/ I



4 MB Building Kit System

Outside! The new item **Joining Plates** are attached to the outside of structures and connect profiles without the need for any additional machining because they are screwed to the groove.

Inside! The easy-to-use **Cube Fastening Sets** create a three-dimensional structure between the profiles they connect.

In the middle! Our **Mounting Plates** are used to fasten collaborative robots (cobots) to profiles. They are available with a pre-drilled pattern of holes or for customised machining.



16 Work Bench System

More power! Electrically height-adjustable item **Table Column Sets E HD** can easily handle heavy loads and lift up to one metric ton.

More independence! Hydraulic **Lift Module 8 120x120 HF** lifts containers and workpieces weighing up to 100 kg without the need for any electrical power.

More clarity! The new **Sign Frames** in three standard sizes identify storage areas, improve navigation and can be mounted in many different ways.



32 Lean Production Building Kit System

Order made easy! The new **Product Separator D30-55 ESD** divides up storage areas flexibly and makes it easier to store products upright without risking scratches.

Doors made easy! The new **Hinge D30-85 FP** and its accessories can be used to build doors that close perfectly using Profile Tube System D30.

Container handling made easy! The pivoting **Stacking Unit D30 Bar** takes the strain off staff when it comes to stacking and unstacking small load carriers.



48 Automation System

Reliable motion! Our **Linear Guide 6 60 PS** consists of one torsion-resistant profile rail and two heavy-duty bearing carriages. It enables you to support Linear Units with maximum repeatability and simplify manual transport processes.

Reliable connection! The new **Profile Fastening Set 6/8 80x60** is ideal for integrating a Linear Unit KGT 6 60 P20 or Linear Guide 6 60 PS quickly and securely into a machine frame with a Line 8 groove. The Fastening Set is also suitable for Line 6 profiles in the modular dimension.



Factory equipment engineering – with the MB Building Kit System

Cube Fastening Sets 8 2D/3D

Joining Plate Sets 8 40

Robot Mounting Plates 8

Universal Mounting Plates 8

Acrylic Glass 6mm GS, clear

Panel-Fixing Strips 8 K

Swivel Catch 8 Pi 54 PA

Cuboid, practical, efficient



Time-saving and simple profile connection

Insert panel elements with no need for machining

Fastened to the core bore



Cube Fastening Sets 8

Quick and uncomplicated! The item Cube Fastening Sets help you create bases and frames in next to no time. While other fasteners connect two profiles directly together, cube fasteners sit between profiles as a three-dimensional structure. The fastener is screwed to the core bores of the profiles it connects.

There are a number of advantages to this technique. For example, it simplifies the calculations for profile lengths and the space inside the cube fasteners makes it easier to tighten the screws. Furthermore, when working with profiles that have closed grooves, the unbroken outer surface can be left untouched and there is no need to cut off the corners of panel elements to make space for fixings. All these advantages are ideal for hatches, enclosures and frames that are filled with panels.

Cube Fastening Set 8 2D 40x40x40 connects two Profiles 8 40x40 at an angle of 90°, while Cube Fastening Set 8 3D 40x40x40 connects three profiles to form a corner structure. To install these sets, threads need to be tapped into the core bores of the profiles. Fixings for screwing the cube fasteners into place are included in the sets. Anti-torsion features ensure profiles are held securely in the correct orientation but can also be broken off with a screwdriver if required.

Once assembly work has been completed, the openings can be covered over with the Caps included in the scope of supply.

Threaded Insert M8 for Cube Fastening Set 8 can be used to connect Adjustable Feet, castors and other accessories. The Insert is fastened in cube fastener 2D or 3D using a spanner and offers a strong M8 thread.

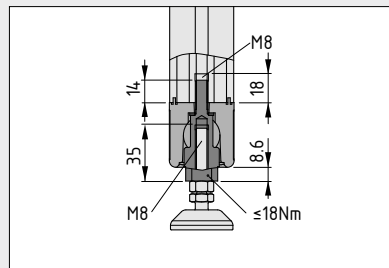




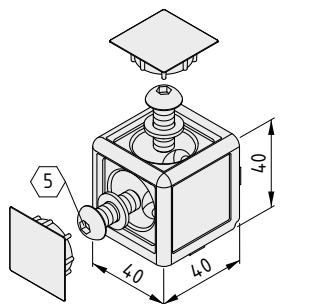
Threaded Insert M8 for Cube Fastening Set 8 is screwed into cube fastener 2D or 3D using a spanner. Its strong M8 thread can be used to fasten castors, Adjustable Feet or accessories in place. Install the Threaded Insert in the relevant profile instead of one of the Button-Head Screws supplied with the Cube Fastening Set but using a Washer from the set.



Threads need to be tapped into the core bores of the profiles that are being connected together with item cube fasteners. You can request profiles that come with these threads already tapped by ordering the service "Connection Processing, End Face, Thread M8x18" (0.0.026.95).
Tip: Profile machining is easy to plan and order when using the item Machiningtool. The online software can be found on the item website.



Use Countersunk Screw DIN 7991 M8x20 (8.0.001.82) to attach item swivel and fixed castors with a fastening bore up to $\varnothing 10.5$ mm to Threaded Insert M8 for Cube Fastening Set 8.

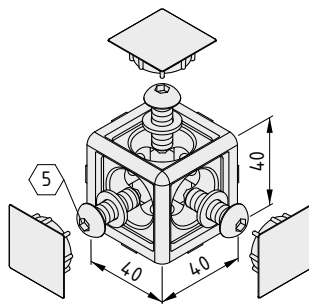


Cube Fastening Set 8 2D 40x40x40



Cube fastener 2D, die-cast Al, natural
 2 Caps Cube Fastening Set 8 40, PA, grey similar to RAL 7042
 2 Button-Head Screws ISO 7380-M8x22, St, bright zinc-plated
 2 Washers ISO 7092 - 8 - 200 HV, bright zinc-plated
 m = 143.0 g

1 set 0.0.698.79

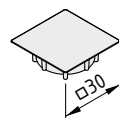


Cube Fastening Set 8 3D 40x40x40



Cube fastener 3D, die-cast Al, natural
 3 Caps Cube Fastening Set 8 40, PA, grey similar to RAL 7042
 3 Button-Head Screws ISO 7380-M8x22, St, bright zinc-plated
 3 Washers ISO 7092 - 8 - 200 HV, bright zinc-plated
 m = 138.0 g

1 set 0.0.698.78

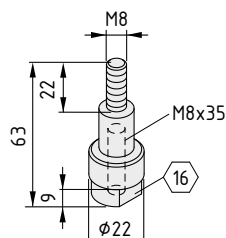


Cap, Cube Fastening Set 8 40



PA
 m = 3.0 g
 grey similar to RAL 7042, 1 pce.

0.0.698.72



Threaded Insert M8 for Cube Fastening Set 8



St
 m = 72.0 g
 bright zinc-plated, 1 pce.

0.0.701.79



Reinforcement

Robust steel reinforcement

For numerous installation scenarios

For immediate use – no machining required



Joining Plates 8

A stronger hold with less material! item Joining Plates reinforce structures and enhance the rigidity of frames, thereby supporting lightweight construction techniques and making it easier to retrofit new elements to existing constructions.

Preformed Joining Plate Sets 8 are available for all typical installation scenarios, whether corner connections, crossing profiles or T connections with a through-profile. They are attached from the outside and screwed into a Line 8 groove, with no need for additional machining. The double T-Slot Nuts supplied with the sets speed up work even more.

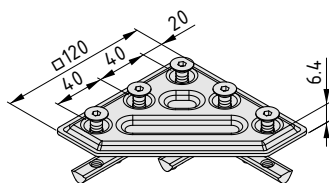
item Joining Plates make connections between aluminium profiles 50 percent stronger while using 40 percent less material than solid metal plates. Thanks to the optimised shaping of the material, the steel plates exhibit exceptional rigidity. These robust steel plates can also be used to provide impact protection for exposed outside edges.

When the 3D structure of the Joining Plates is stamped out, sunken holes are created that ensure the installed Joining Plates have a single unbroken surface with no risks of injury from protruding screw heads. Instead of looking out of place, the Joining Plates actually highlight the aesthetics of the construction.

Note: item Joining Plate Sets are not intended as a substitute for screw-attached fastening sets.



item Joining Plates won the iF DESIGN AWARD 2021. Each year, the world's oldest independent design institution celebrates pioneering industrial design.



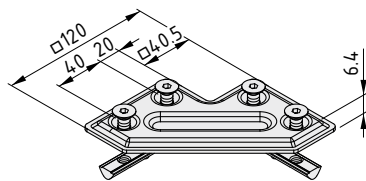
Joining Plate Set 8 40 120x120-90°



Joining Plate, St, bright zinc-plated
 5 Countersunk Screws DIN 7991 M8x16, St, bright zinc-plated
 2 T-Slot Nuts V 8 St 2xM8-73, St, bright zinc-plated
 T-Slot Nut V 8 St M8, St, bright zinc-plated
 m = 323.0 g

1 set

0.0.708.02



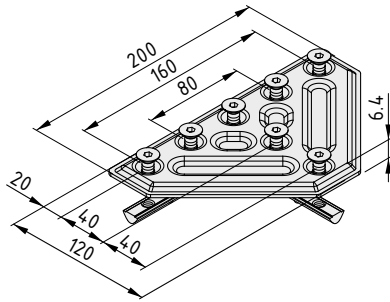
Joining Plate Set 8 40 120x120-90° D



Joining Plate, St, bright zinc-plated
 4 Countersunk Screws DIN 7991 M8x16, St, bright zinc-plated
 2 T-Slot Nuts V 8 St 2xM8-73, St, bright zinc-plated
 m = 284.0 g

1 set

0.0.708.03

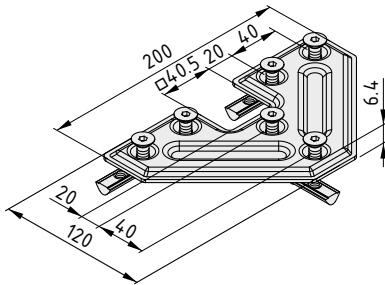


Joining Plate Set 8 40 200x120-180°



Joining Plate, St, bright zinc-plated
 7 Countersunk Screws DIN 7991 M8x16, St, bright zinc-plated
 3 T-Slot Nuts V 8 St 2xM8-73, St, bright zinc-plated
 T-Slot Nut V 8 St M8, St, bright zinc-plated
 m = 496.0 g

1 set 0.0.708.05

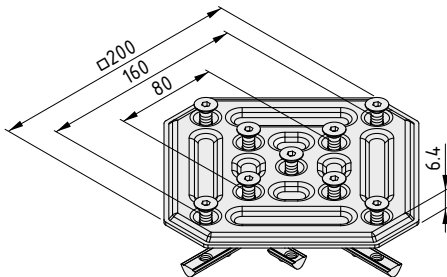


Joining Plate Set 8 40 200x120-180° D



Joining Plate, St, bright zinc-plated
 6 Countersunk Screws DIN 7991 M8x16, St, bright zinc-plated
 3 T-Slot Nuts V 8 St 2xM8-73, St, bright zinc-plated
 m = 447.0 g

1 set 0.0.708.04



Joining Plate Set 8 40 200x200-360°



Joining Plate, St, bright zinc-plated
 9 Countersunk Screws DIN 7991 M8x16, St, bright zinc-plated
 4 T-Slot Nuts V 8 St 2xM8-73, St, bright zinc-plated
 T-Slot Nut V 8 St M8, St, bright zinc-plated
 m = 737.0 g

1 set 0.0.708.06



Adapt to collaborate

For connecting cobots

Suitable pattern of holes

Universal version for bespoke machining



Robot and Universal Mounting Plates 8





Working together! The item Mounting Plates 8 are perfect for integrating collaborative robots (cobots) into your working environment. Made of high-strength aluminium, the plates feature a pattern of holes for mounting on profiles and frames and come in versions that are predrilled for attaching widely used cobots and versions for custom machining.

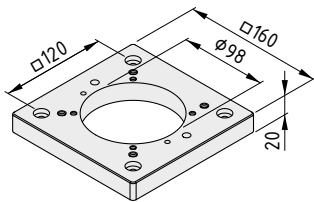
Robot Mounting Plate 8 160x160 is prepared for the UR3e and UR5e cobots from Universal Robots. The larger UR10e and UR16e models from Universal Robots, the CRX-10iA from Fanuc and the TM5, TM12 and TM14 models from Omron can be securely mounted on Robot Mounting Plate 8 200x200. The large central hole can be used for feeding through cables, if required.

Alternatively, you can drill your own custom pattern of holes in Universal Mounting Plates 8 160x160 and 200x200. This means you can also integrate other cobot and mechanical engineering applications into a bespoke solution.

Groove Plate X 8 40 (0.0.705.30) and Installation Column 8 160x160 K76 (0.0.663.39) offer ideal fastening surfaces. Detailed information on the appropriate fixings for various installation scenarios can be found on the product page for the Mounting Plates in the item Online Shop.



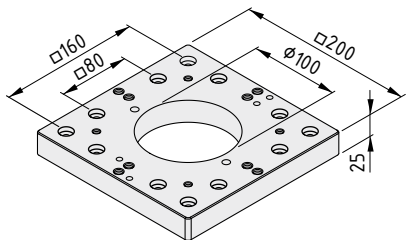
Robot Mounting Plate		Art. No.	Fanuc	Omron	UR	Universal
	8 160x160	0.0.709.26	–	–	UR3e UR5e	–
	8 200x200	0.0.709.31	CRX-10iA	TM5 TM12 TM14	UR10e UR16e	–
Universal Mounting Plate						
	8 160x160	0.0.709.54	–	–	–	Flange dimensions ≤ 160x160
	8 200x200	0.0.709.32	–	–	–	Flange dimensions ≤ 200x200


Robot Mounting Plate 8 160x160

 Al
 m = 961.0 g

1 pce.

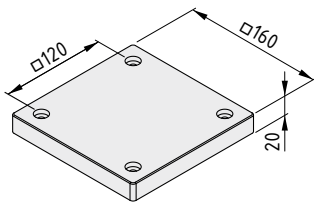
0.0.709.26


Robot Mounting Plate 8 200x200

 Al
 m = 2.1 kg

1 pce.

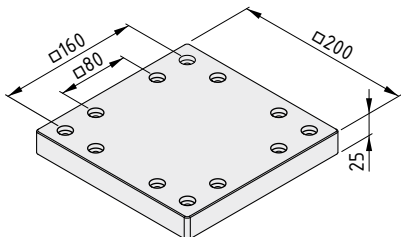
0.0.709.31


Universal Mounting Plate 8 160x160

 Al
 m = 1.4 kg

1 pce.

0.0.709.54


Universal Mounting Plate 8 200x200

 Al
 m = 2.7 kg

1 pce.

0.0.709.32

Transparency

Excellent optical quality

Resistant to aggressive chemicals

Material thickness 6 mm

Acrylic Glass 6mm GS, clear

Acrylic Glass 6mm GS is a clear panel material that is manufactured in a casting process for toughness and especially high-quality optical properties.

Acrylic Glass is resistant to many aggressive chemical substances as well as light, water, alkalis and aqueous solutions composed of inorganic salts. The different thermal expansion of Acrylic Glass and aluminium must be factored in with regard to tolerances.

Adhesive Multiblock 8 6mm (0.0.696.37) is suitable for fixing a 6 mm-thick panel of Acrylic Glass, for example.

Property	Value	Test Standard
Density	1.19 g/cm ³	DIN EN ISO 1183
Light transmission	≥ 90 %	DIN EN ISO 13468-2
Refractive index	1.49 n _D 20	DIN EN ISO 489
Tensile strength	≥ 70 MPa	DIN EN ISO 527-2
Flexural strength	≥ 100 MPa	DIN EN ISO 178
Bending moment	≥ 2900 MPa	DIN EN ISO 178
Charpy impact strength (unnotched)	≥ 13 kJ/m ²	DIN EN ISO 179-1
Coefficient of thermal expansion	70 x 10 ⁻⁶ x K ⁻¹	ISO 11359-2
Thermal conductivity	0.18 W/mK	DIN EN ISO 22007-1
Vicat softening temperature	≥ 105 °C	DIN EN ISO 306, method B50
Surface resistance	≥ 10 ¹⁵ Ω	IEC 61340-5-1
Fire safety classification	B2	DIN 4102
Behaviour in a fire	E	DIN EN 13501-1

Acrylic Glass 6mm GS

PMMA

Thickness tolerance ± 10%

m = 7.07 kg/m²

clear, cut-off max. 3020x2000 mm

0.0.703.97

clear, 1 pce. panel dimensions. approx. 3050x2030 mm

0.0.703.94

All-round fixing



Holds panels within a frame

No machining needed at the corners

Compatible with all fasteners



Panel-Fixing Strips 8 K

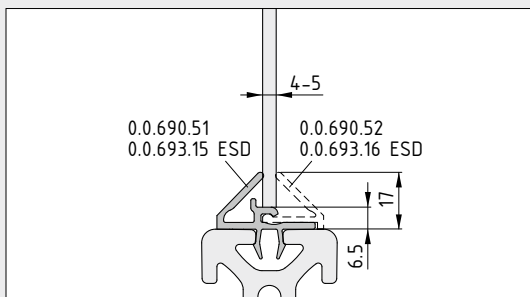
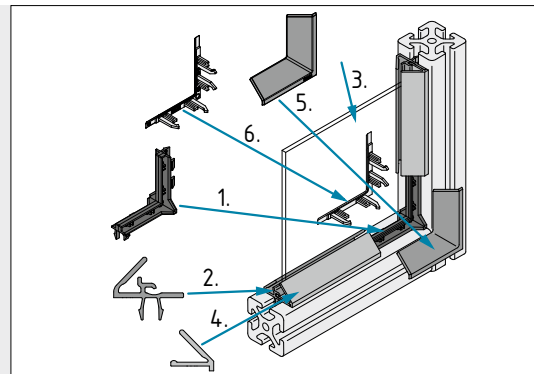
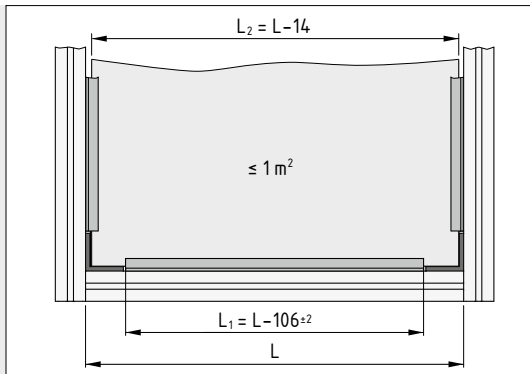
Take the edge off edges! Panel-Fixing Strip 8 K makes the job of fastening panels extremely easy with the help of a practical corner solution. Panel elements in thicknesses of 4 to 5 mm are securely held in place.

You can use plastic Panel-Fixing Strip 8 K to retrofit panel elements to fully enclosed profile frames. No matter how the frame has been fastened together (with Standard-, Universal- or Automatic-Fastening Sets), there is no need to cut off corners, because the panel is held in place centred above the groove. A special corner set also ensures the best possible hold and an excellent seal. Panel-Fixing Strip 8 K ESD is an ESD-safe variant.

When using Panel-Fixing Strip 8 K, panel elements can be fixed in place quickly and without the need for tools. First, the four corner set locating pieces and Panel-Fixing Strips 8 K, once cut to size with shears, are clipped into the groove. Next, the panel element is inserted in place and the rear is secured using Panel-Fixing Strip 8 K 4-5mm. This flexible strip is simply pressed into position. Finally, the caps for the corner sets are pushed into place.

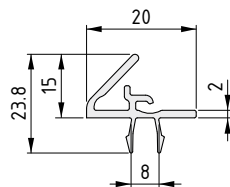
The panel element can be removed by following the same process in reverse.





Installation guide:

1. Clip corner locators into the groove at all four corners.
2. Fit Panel-Fixing Strips 8 K that have been cut to size into the groove between the corner set locating pieces.
3. Insert and position the panel element.
4. Press Panel-Fixing Strip 8 K 4-5mm into place at the rear. The panel is now fixed in place.
5. + 6. Press all the caps into place on the Corner Sets.



Panel-Fixing Strip 8 K

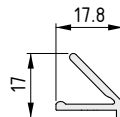


PP
m = 120 g/m
grey similar to RAL 7042, 1 pce., length 2010 mm 0.0.690.51

Panel-Fixing Strip 8 K ESD



PP-ESD
m = 129 g/m
black similar to RAL 9005, 1 pce., length 2010 mm 0.0.693.15



Panel-Fixing Strip 8 K 4-5mm

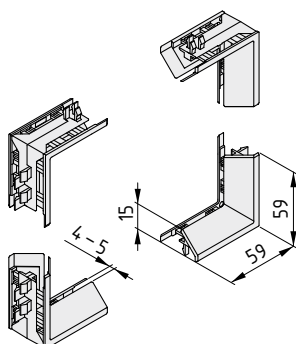


PP
m = 64 g/m
grey similar to RAL 7042, 1 pce., length 2010 mm 0.0.690.52

Panel-Fixing Strip 8 K 4-5mm ESD



PP-ESD
m = 68 g/m
black similar to RAL 9005, 1 pce., length 2010 mm 0.0.693.16



Panel-Fixing Strip 8 K 4-5mm, Corner Set



4 Panel-Fixing Strip 8 K corner set locating pieces, PA, grey similar to RAL 7042
8 Panel-Fixing Strip 8 K 4-5 mm caps, PA, grey similar to RAL 7042
m = 60.0 g
1 set 0.0.690.53

Panel-Fixing Strip 8 K 4-5mm, Corner Set ESD



4 Panel-Fixing Strip 8 K corner set locating pieces, PA, grey similar to RAL 7042
8 Panel-Fixing Strip 8 K 4-5 mm caps ESD, PA-ESD, Black similar to RAL 9005
m = 60.0 g
1 set 0.0.694.18

A star turn!

Quick action

Swivels in 90° increments

Suitable as a transport safety device

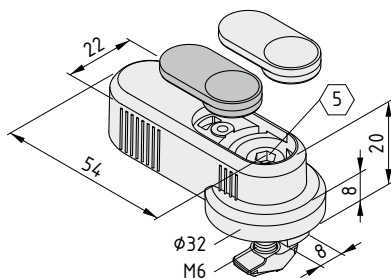


Swivel Catch 8 Pi 54 PA

Always there when you need it! Swivel Catch 8 Pi 54 PA can be used as an easily removable transport securing device, a simple closure for hatches or a retractable stop.

Little force is needed to turn the lever of Swivel Catch 8 Pi 54 PA, which noticeably clips into place at 90° increments. This makes the product ideal as a fixation or locking device that can be operated quickly.

Easy-to-grip rounded edges and a striking two-tone design identify the Swivel Catch as part of the award-winning operating elements Pi line from item. Swivel Catch 8 Pi 54 PA ESD, in black plastic, is also available as an ESD-safe variant.



Swivel Catch 8 Pi 54 PA



Catch, PA, grey
 Cap, PA, red
 Cap, PA, dark grey
 Preassembled with Automatic T-Slot Nuts V 8 St M6, stainless
 m = 37.0 g

1 set

0.0.700.81

Swivel Catch 8 Pi 54 PA ESD



Catch, PA-ESD, black
 Cap, PA, red
 Cap, PA, dark grey
 Preassembled with Automatic T-Slot Nuts V 8 St M6, stainless
 m = 37.0 g

1 set

0.0.704.21



Ergonomic production – with the item Work Bench System

Table Column Sets E HD

Lift Module HF

Lift Module GH

Castor Support 8 D80

Table-Top Support 8 and Cantilever Foot 8

Test Lead Holder 8

Connecting Cable, LED Machine Light Fitting

Assembly Set, LED Light Fitting E

Sign Frames and accessories

Super heavyweight

For building heavy-duty benches

Up to one metric ton loading capacity

Two or four electric Lifting Columns



Table Column Sets E HD

Lift more! The item Table Column Sets E HD offer an electrical solution for adjusting the height of even very heavy loads. These high-performance lifting columns form the basis for heavy-duty tables that, in the case of Table Column Set 2 E HD ESD 230V, feature two table legs designed for an overall load-carrying capacity of up to 600 kg and, in the case of Table Column Set 4 E HD ESD 230V, feature four columns designed to hold up to one metric ton.

The maximum travel distance is 400 mm at a speed of max. 9 mm/s. Besides supporting custom adjustment, the control system also has a memory function so the table can move automatically to three stored working heights at the touch of a button.

Motor Extension Cable HD, 1.2m can be used to cover longer distances between the control system and table leg on large work benches.

item Groove Plate X 8 40 (0.0.705.30) or an item table top are ideal additions when building assembly work benches for heavy components.

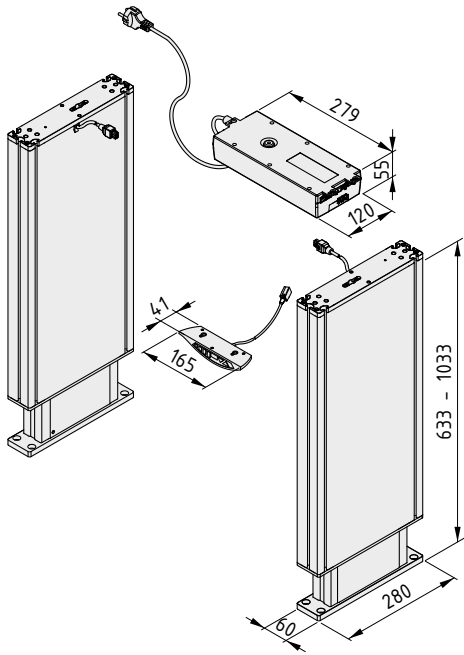


Table Column Set 2 E HD ESD 230V



2 columns, Al, anodized, natural, with 1.7 m cable
 Control unit with 3 m mains cable,
 Table switch panel, 3 positions storable, digital height gauge with 2 m cable
 Nominal voltage: 230V~ 50/60 Hz
 Total lifting force: 6000 N
 Permitted bending moment
 $M_{b_{x, stat.}}$ 1200 Nm, $M_{b_{y, stat.}}$ 450 Nm
 $M_{b_{y, dyn.}}$ 550 Nm, $M_{b_{y, dyn.}}$ 200 Nm
 Lifting speed: max. 9 mm/s
 Duty cycle: 5%
 Temperature range: -5°C to 40°C
 Protection: IP 30
 Conformity: CE
 Installation guide
 $m = 26.5$ kg

1 set

0.0.701.52

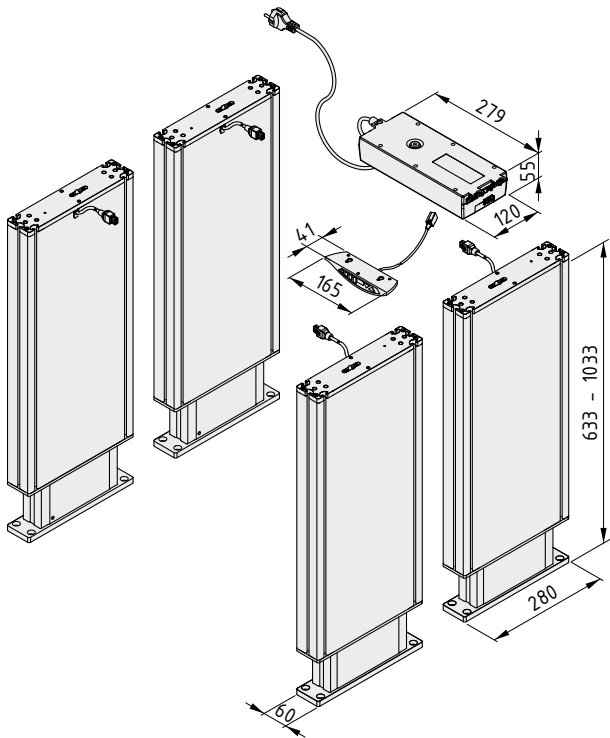


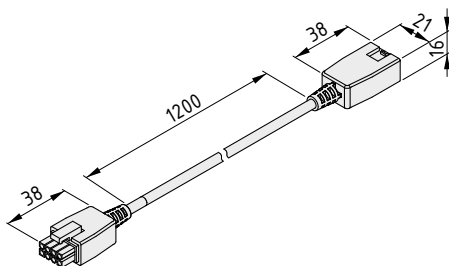
Table Column Set 4 E HD ESD 230V



4 columns, Al, anodized, natural, with 1.7 m cable
 Control unit with 3 m mains cable,
 Table switch panel, 3 positions storable, digital height gauge with 2 m cable
 Nominal voltage: 230V~ 50/60 Hz
 Total lifting force: 10000 N
 Permitted bending moment
 $M_{b_{x, stat.}}$ 1200 Nm, $M_{b_{y, stat.}}$ 450 Nm
 $M_{b_{y, dyn.}}$ 550 Nm, $M_{b_{y, dyn.}}$ 200 Nm
 Lifting speed: max. 9 mm/s
 Duty cycle: 5%
 Temperature range: -5°C to 40°C
 Protection: IP 30
 Conformity: CE
 Installation guide
 $m = 54.8$ kg

1 set

0.0.701.53



Motor Extension Cable HD, 1.2m

Molex Mini-Fit connector male, 8-pole
 Molex Mini-Fit connector female, 8-pole
 PVC cable
 $m = 95.0$ g

black, 1 pce.

0.0.709.95

Heavyweight



Non-electric height adjustment

Load-carrying capacity of up to 100 kg

Practical foot-operated mechanism



Lift Module HF

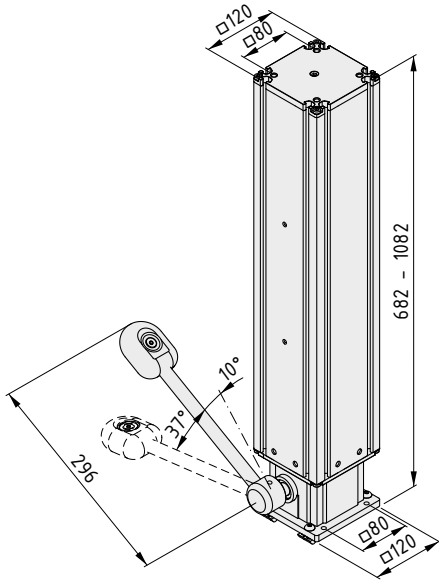
Powerful height adjustment anywhere! Use Lift Module 8 120x120 HF to lift loads of up to 100 kg – without needing a power supply. This is ideal for mobile, height-adjustable work benches, frames or fixtures.

By actuating the foot pedal, you can extend the hydraulic column up to 400 mm in stages. To lower the column in a controlled manner, simply lift the pedal gently.

The Line 8 grooves on the extending profile make it easy to attach components from the item MB Building Kit System.

Depending on the application in question, a load of between 15 and 20 kg is sufficient to lower the solution.





Lift Module 8 120x120 HF



Pedal-operated (hydraulic) lift module

Fastening elements

F_{\max} 1000 N

M_{\max} 100 Nm, $M_{\max \text{ dyn}}$ 50 Nm

$m = 8.5$ kg

1 set

0.0.698.62

Middleweight

Gas spring with 20 kg of lifting force

Quick, light and precise

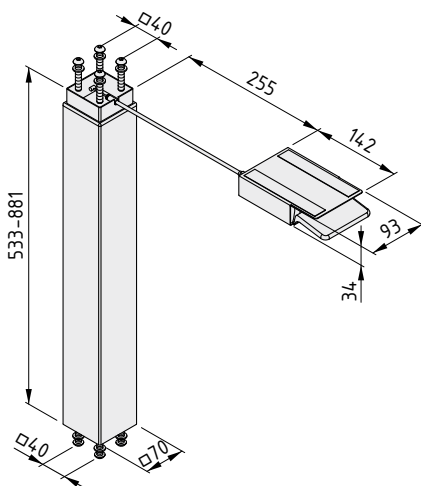
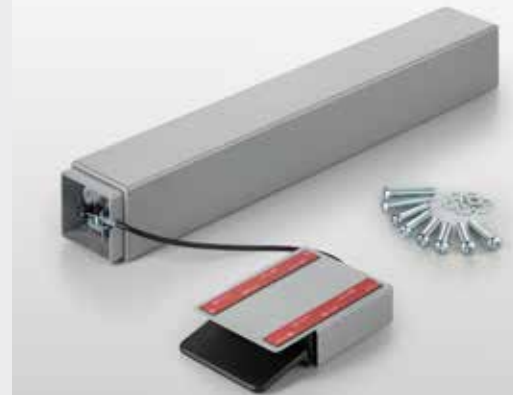
Ergonomic hand-operated action

Lift Module GH

Lift at your fingertips! Lift Module 70x70 GH uses a gas spring with a lifting force of 200 N to adjust the height of constructions.

This telescopic module for mobile solutions is operated with a manual switch that is conveniently and safely located under the working surface and allows for quick and precise height adjustment. The compact module is ideal for constructing mobile solutions where rapid adjustment is a major requirement. It is also perfect for small ergonomic working surfaces and mobile adjustment to levels of varying heights in intralogistics. This mechanism is also used in SystemMobile S41T (0.0.651.68).

Note: This product can accommodate a torque load of 100 Nm.



Lift Module 70x70 GH

Telescopic column
 Gas spring with manual actuator, 533 mm - 881 mm
 F_{max} 300 N
 M_{max} 100 Nm
 Installation materials
 $m = 7.4$ kg

1 set

0.0.652.60

Heavy support

For attaching Jacking Castor D62

Suitable for retrofitting

High load-carrying capacity for mobile heavy-duty benches

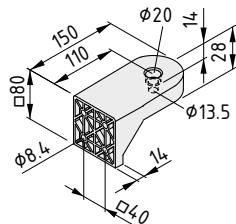


Castor Support 8 D80

Move even large masses with ease! Use Castor Support 8 D80 to attach the heavy-duty Jacking Castors D62 (0.0.674.53) from item to heavy, mobile work benches, frames or fixtures.

The Castor Support can be fastened either to the end face of a Profile 8 80x80 or two parallel Line 8 grooves. When fastened at the side, it can be retrofitted and installing it in this way keeps the structure closer to the floor than when using the conventional technique of fitting castors underneath a frame. The Jacking Castor itself is screwed into the hole on the sturdy die-cast aluminium Castor Support.

The Castor Support has been designed in line with the load-carrying capacity of Jacking Castor D62 (3400 N).



Castor Support 8 D80

Die-cast Al
m = 570.0 g

white aluminium, similar to RAL 9006, 1 pce.

0.0.703.86



Dinner for one

Individual components

Build customised tables

Suitable for corner solutions



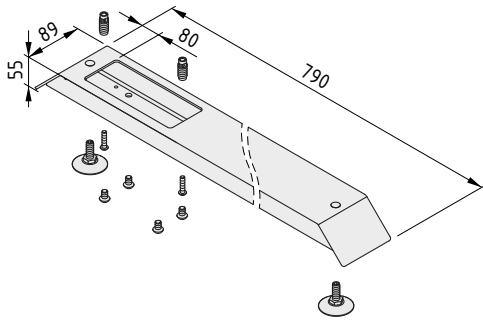
**Table-Top Support 8
Cantilever Foot 8**

Just as good on their own! When building custom work bench solutions, you can also order item Cantilever Foot 8 160x60 790x90 and Table-Top Support 8 520x100 individually instead of in a set. This means you can design corner solutions and work benches with an odd number of legs.

The Table-Top Support connects the table top with the table leg and supporting struts in both directions for table tops that are large or need to carry heavy loads.

The flat Cantilever Foot provides a stable base with Adjustable Feet that can be adjusted from above. The Cantilever Foot is compatible with most electrically height-adjustable Table Column Sets and all profile cross-sections in the dimensions of 160x60 mm.





Cantilever Foot 8 160x60 790x90



Table foot 160x60, St, powder-coated, white aluminium similar to RAL 9006
 2 Adjustable Feet D47, M10x30
 Fastening elements
 m = 5.1 kg

1 set

0.0.703.61

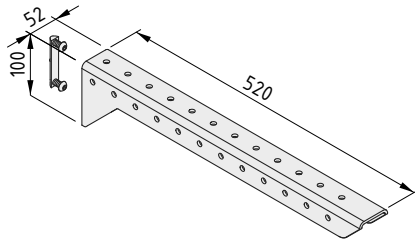


Table-Top Support 8 520x100

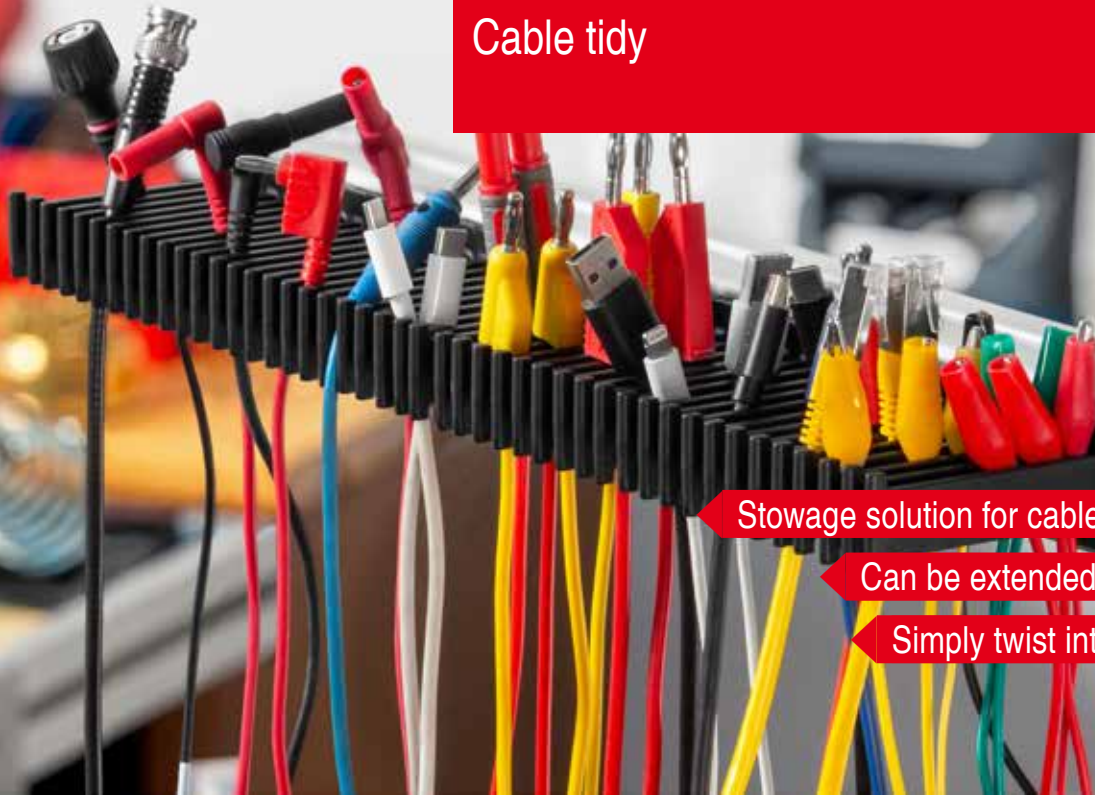


Table-Top Support, St, powder-coated white aluminium similar to RAL 9006
 Fastening elements
 m = 2.2 kg

1 set

0.0.703.60

Cable tidy



Stowage solution for cables and leads

Can be extended as required

Simply twist into the groove

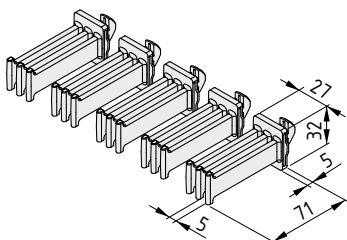


Test Lead Holder 8

Clutter-free cables! item Test Lead Holder 8 is a secure and organised solution for stowing test leads and other cables with connectors.

By simply twisting the Holder into a Line 8 groove, you can create space for a large number of cables. You can even sort thicker cables by adjusting the distance between two elements. Included in the scope of supply are five individual holder elements.

Test Lead Holder 8 complements the comprehensive item Hook and Holder System and is also available in an ESD-safe version.



Test Lead Holder 8



PA-GB

m = 115.0 g

grey similar to RAL 7042, 1 set, 5 elements

0.0.709.91

Test Lead Holder 8 ESD



PA-ESD

m = 115.0 g

black similar to RAL 9005, 1 set, 5 elements

0.0.709.90



Looking for a connection

Simple connection

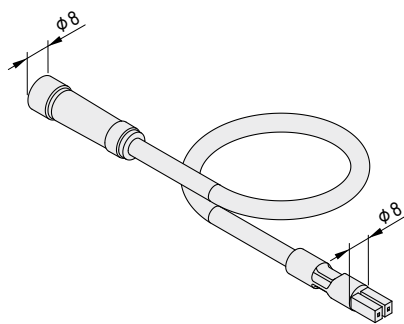
0.2-metre connection cable

For all item LED components

Connecting Cable, LED Machine Light Fitting

Short and reliable! Connecting Cable, LED Machine Light Fitting, 0.2 m is a short connection cable with an M8 plug-in connector. The cable is designed as an adapter for the connector system of the energy-efficient item LED Light Fittings and accessories.

The cable can be used with other components from the item LED range in applications where there are no special sealing requirements.



Connecting Cable, LED Machine Light Fitting, 0.2 m

Cable length: 0.2 m (0.34 mm²)
 Cable diameter: 5 mm
 Safety plug connector M8, system plug
 m = 11.0 g

black, 1 pce.

0.0.700.99

Let there be light

For item LED Light Fittings E

For use on Compound Slide Overhang

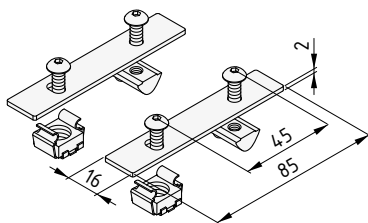
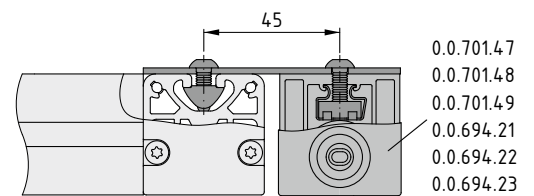
Secure fixing in the groove



Assembly Set, LED Light Fitting E

Assembly Set, LED Light Fitting E attaches the energy-saving LED Light Fittings E to a work bench with a Compound Slide Overhang. The free Line 8 groove on top of the overhang is used for installation purposes and LED Light Fitting E can still swivel freely.

All item LED Light Fittings can be found in the item Online Shop and in the Comprehensive Catalogue for the item Work Bench System.



Assembly Set, LED Light Fitting E



- 2 mounting plates
- 2 Captive Nuts M5
- 2 T-Slot Nuts V 8 St M5
- 4 Button-Head Screws - ISO 7380 M5x12 (ULS)
- m = 86.0 g

1 set

0.0.703.99

Always a good sign



In three sizes and five colours

Variety of mounting options

Protective film for cleanliness



Sign Frame

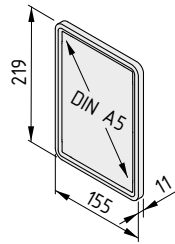
Well-informed at a glance! Use item Sign Frames in three standard sizes to mark out storage areas, provide guidance or improve safety standards by displaying instructions.

The Sign Frames are available to fit A3, A4 and A5 size sheets of paper. The range of different colours available ensures signs can be grouped into various categories. The A4 Sign Frame is also available in an ESD-safe version that is black.

A low-glare film protects your self-printed signs, department names, warning notices, directions, etc. and ensures they are visible from both sides. There are various different ways these stable frames can be put on display – they can be hung up, stood on end, attached at the side, arranged horizontally or vertically, connected together to form a cuboid, fixed to Line 8 grooves, mounted on Profile Tubes D30 or fastened to mesh crates, guards or cable trays.

All in all, they offer a simple means of ensuring you have clear signage that reflects your corporate identity.

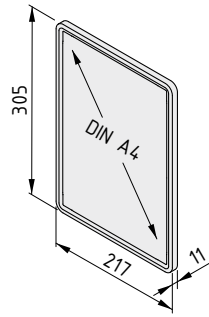




Sign Frame A5

Sign Frame A5
 Protective film, transparent
 Sign Frame Clip, transparent
 m = 78.0 g

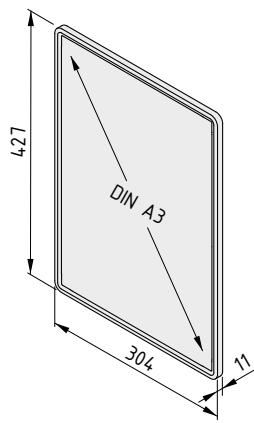
grey, 1 set	0.0.700.52
yellow, 1 set	0.0.700.51
green, 1 set	0.0.700.50
red, 1 set	0.0.700.56



Sign Frame A4

Sign Frame A4
 Protective film, transparent
 Sign Frame Clip, transparent
 m = 140.0 g

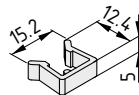
grey, 1 set	0.0.700.55
yellow, 1 set	0.0.700.48
green, 1 set	0.0.700.54
red, 1 set	0.0.700.53
black, 1 set	ESD (E)EN
	0.0.700.57



Sign Frame A3

Sign Frame A3
 Protective film, transparent
 Sign Frame Clip, transparent
 m = 213.0 g

grey, 1 set	0.0.700.60
yellow, 1 set	0.0.700.61
green, 1 set	0.0.700.59
red, 1 set	0.0.700.58



Sign Frame Clip

PC
 m = 0.2 g

transparent, 1 pce.	0.0.700.74
---------------------	------------



Keeping hold

Fixings for item Sign Frames

Hanging or standing

Connect together signs



Sign Frame accessories

Always in view! These fastening solutions ensure you can always display item Sign Frames suitably.

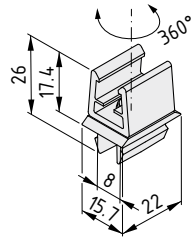
Thanks to its two-sided clip-on geometry and rotating connection, Sign Frame Holder 8, rotating is incredibly easy to attach to Line 8 profiles and even arrange diagonally. There is also a version for Profile Tubes D30.

Sign Frames can also be hung from a profile or cable tray by using a combination of Sign Hanger, Chain 1.8x12 and either C-Hook 2x60x10 or Screw Hook 8 M4x20. The same can also be done with Sign Frames that have been connected together with Sign Corner Fasteners to form cuboids. This ensures signage can be placed where it is clearly visible but not taking up valuable space.

Sign Hooks for Mesh Panels are used to put up signs on areas that are protected by mesh guards or on mesh crates. The hooks are simply clipped onto the Sign Frame and then hung in place.

Note: Sign Frame Holders should ideally be used in pairs.

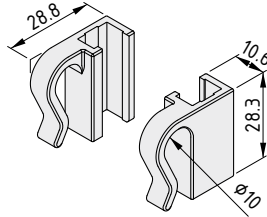




Sign Frame Holder 8, rotating

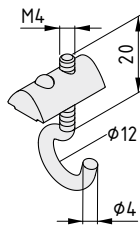


POM	
m = 3.6 g	
grey, 1 pce.	0.0.700.22
black, 1 pce.	0.0.700.87



Sign Hook for Mesh Panels

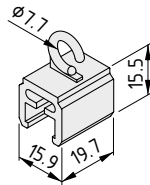
Sign Hook for Mesh Panels, right and left	
PC	
m = 3.6 g	
transparent, 1 set	0.0.700.76



Screw Hook 8 M4x20

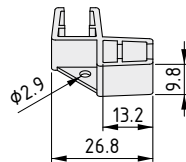


Screw Hook M4x20, bright zinc-plated	
T-Slot Nut V 8 St M4	
m = 17.0 g	
1 set	0.0.700.94



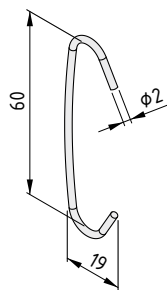
Sign Hanger

PC	
m = 3.6 g	
transparent, 1 pce.	0.0.700.75



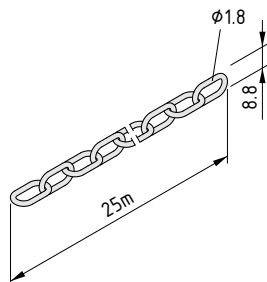
Sign Corner Fastener

PC	
m = 2.0 g	
transparent, 1 pce.	0.0.700.92



C-Hook 2x60x10

St	
m = 2.0 g	
bright zinc-plated, 1 PU = 10 pcs.	0.0.701.51



Chain 1.8x12

Rounded wire chain 1.8x12, bright zinc-plated	
St	
m = 1.4 kg m = 58.0 g/m	
1 roll length 25 m	0.0.701.38
cut-off \pm 200 mm, min. 3m, max. 25m	0.0.701.39



Build lean – with the Lean Production Building Kit System

Product Separator D30-55 ESD

Flange 8 D30 90x40-80 180°

Flange 8 D30 90x90-80 90°

Adapter 6 D30/R15-2

Hinge D30-85 FP

Rebate Strip D30 H13

Magnetic Catch 32x10x5 sa

Hinge D30-85 PP

Magnet 8 D30-8.5 M6

Bowden Cable Mounting 8 M6-28

Stacking Unit D30 Bar T1

Stacking Unit D30 Bar T2

Bearing Set D30/D16-5 M6

Release Unit D30 Bar 70/45

Sign Frame Holder D30, rotating

Hook D30-36, rotating



Divide and conquer

Flexible separation of storage spaces

Variable cladding for storage places

Simple means of fastening labels



Product Separator D30-55 ESD

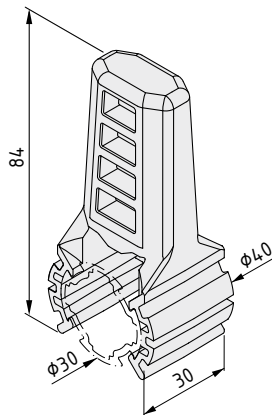
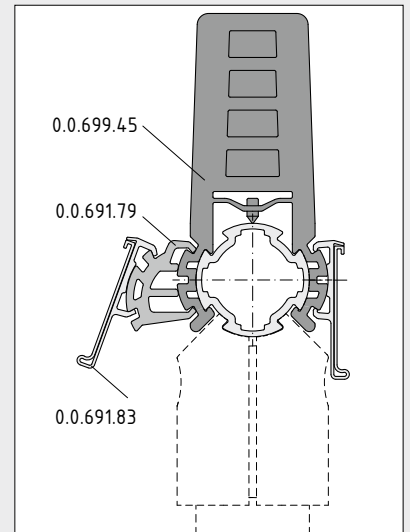
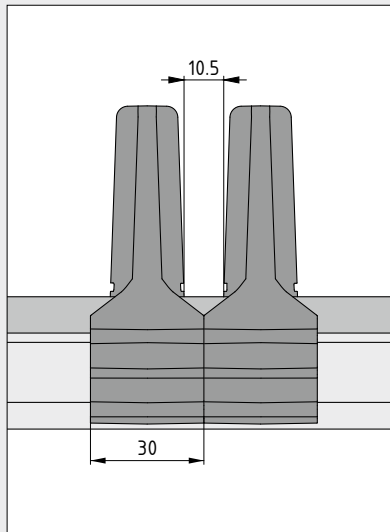
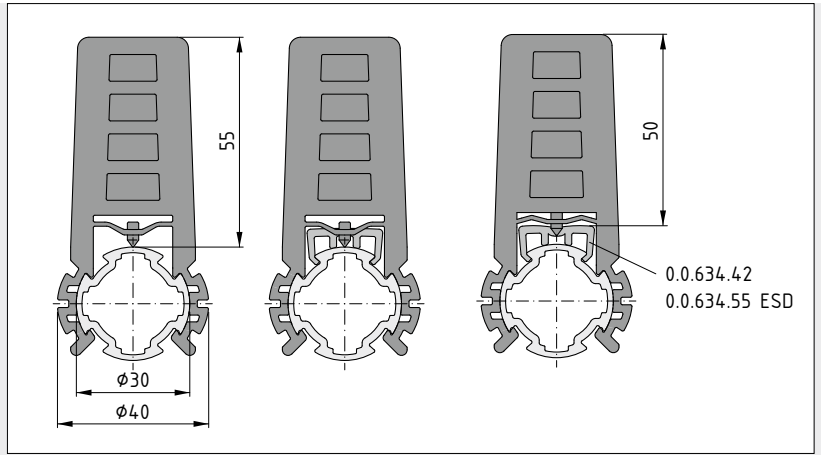
Get organised in seconds! Product Separator D30-55 ESD is ideal for storing products upright and is a flexible solution for dividing storage spaces.

Product Separator D30-55 ESD can be clipped to any position on a Profile Tube D30. Its surface is scratch-resistant and protects sensitive workpieces. An item Slide Strip D30 (0.0.634.42, 0.0.634.55 ESD) can be attached to the Profile Tube for additional scratch protection.

The Product Separator can be fitted without using any Slide Strip at all or, thanks to a recess, can also be mounted on a continuous Slide Strip. Alternatively, you can fit cut-off sections of Slide Strip between the Product Separators so the strips can be replaced occasionally. Using cut-off sections also makes it easy to space out the Product Separators evenly.

The Product Separator envelopes the supporting profile on both sides for maximum hold. The rear profile flank is left free. The front and back of the Product Separator also have the same contours as an item Profile Tube so that Label Profile D30 e ESD (0.0.691.83) and Fastening Profile D30 0-20° e ESD (0.0.691.79) can be attached. This ensures storage areas can be clearly labelled.

Note: item Slide Strips D30 are available in various colours and designs.



Product Separator D30-55 ESD



PA-ESD
m = 30.0 g

black similar to RAL 9005, 1 pce.

0.0.699.45



Unshakeable

Very high bending strength

Accommodates dynamic loads

For fixing to frames



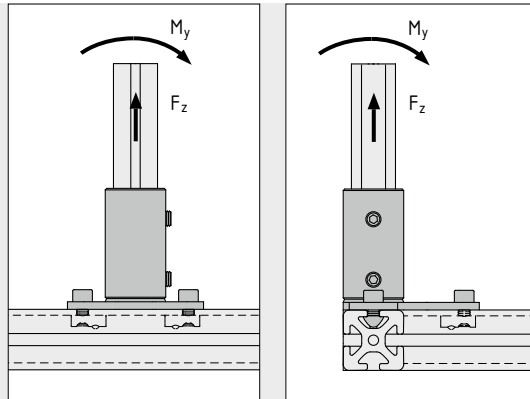
Flange 8 D30 90x40-80 180° Flange 8 D30 90x90-80 90°

Secure hold on substructures! Flange 8 D30 90x90-80 180° and Flange 8 D30 90x40-80 90° add two wings to a D30 connector, which reliably absorb lateral forces. This ensures a particularly rigid connection when attaching a tube construction to a Line 8 profile.

The wings on Flange 8 D30 90x40-80 180° are arranged opposite each other, while the wings on Flange 8 D30 90x90-80 90° are at a right angle to each other. The latter Flange is therefore suitable for fastening Profile Tubes D30 to the corners of a supporting frame on a tigger train.

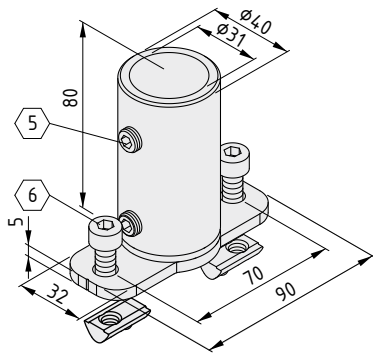
Due to the forces that are generated, item recommends always using the Flange with a (Profile) Tube D30 heavy duty. As is usually the case in Profile Tube System D30, the M10 grub screws are tightened using a 5 A/F key.

Note: The two holes for fastening to a Line 8 groove are not located in line with the modular dimension of Profile Tube System D30.



My = 150 Nm
Fz = 1000 N

Note: In addition to the maximum load-carrying capacity of the Flange, it is important to take into account the load limits of the adjacent components in the construction.



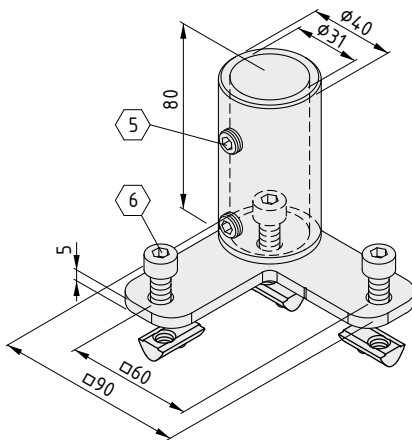
Flange 8 D30 90x40-80 180°



Partially preassembled
Flange D30 180°, St, bright zinc-plated
2 grub screws DIN 913 M10x8, St, bright zinc-plated
2 Hexagon Socket Head Cap Screws DIN 912 M8x16, St, bright zinc-plated
2 T-Slot Nuts V 8 St M8, St, bright zinc-plated
m = 435.0 g

1 set

0.0.701.44



Flange 8 D30 90x90-80 90°

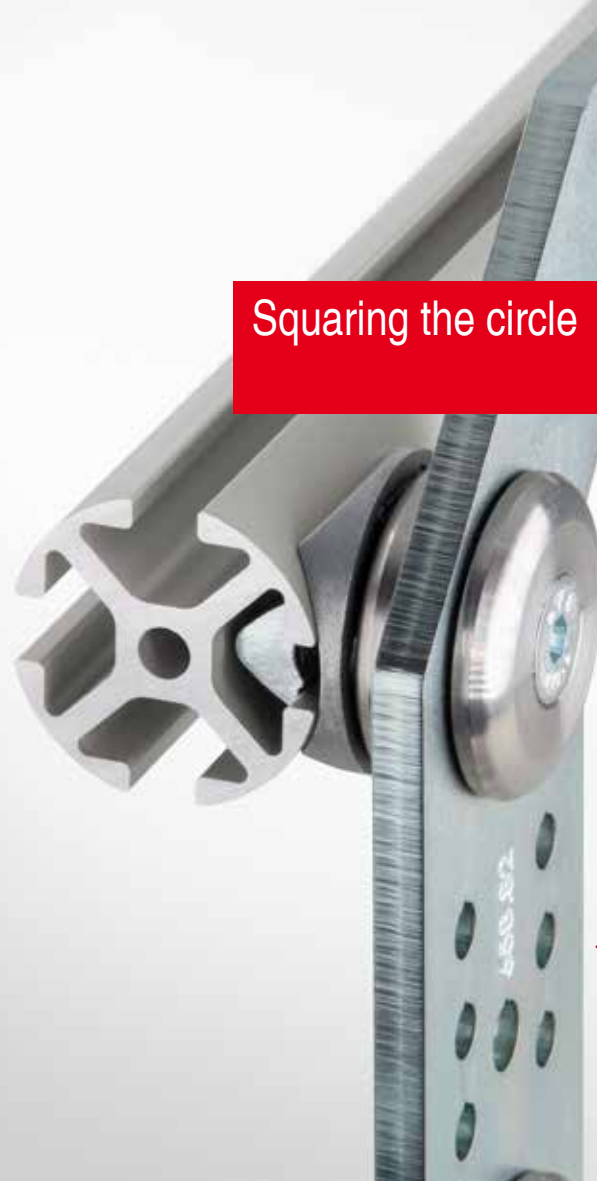


Partially preassembled
Flange D30 90°, St, bright zinc-plated
2 grub screws DIN 913 M10x8, St, bright zinc-plated
3 Hexagon Socket Head Cap Screws DIN 912 M8x16, St, bright zinc-plated
3 T-Slot Nuts V 8 St M8, St, bright zinc-plated
m = 514.0 g

1 set

0.0.701.45

Squaring the circle



Creates a flat contact surface

For Profile 6 D30

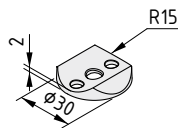
For connecting accessories



Adapter 6 D30/R15-2

From curved to flat! Adapter 6 D30/R15-2 creates a flat surface on Profile 6 D30. On the one hand, this can be used to attach accessories such as Release Unit D30 Bar, Magnet 8 D30-8.5 M6 or a panel element. On the other hand, this flat surface is also circular, which means it can be used to attach another Profile 6 D30 via its end face.

When fastening a panel element or other components, the 2 mm thickness of the Adapter must be factored into the choice of screw length.



Adapter 6 D30/R15-2

Die-cast Al
m = 6.0 g

1 pce.



0.0.692.05



Consider the matter closed

For frameless doors

Right or left-closing as required

With Magnetic Catch

Hinges D30-85 Rebate Strip D30 H13 Magnetic Catch 32x10x5 sa

Build slim doors quickly! Hinge D30-85 FP is used to build frameless doors with Profile Tube System D30. Rebate Strip D30 H13 and Magnetic Catch 32x10x5 sa ensure the door is held firmly shut but can be opened with ease.

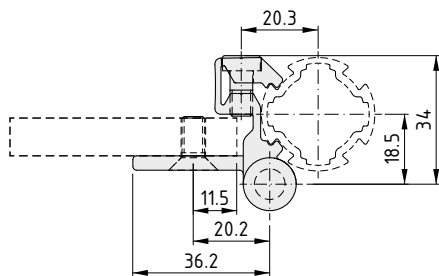
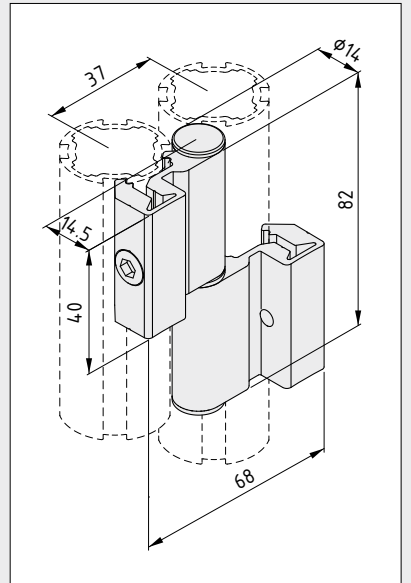
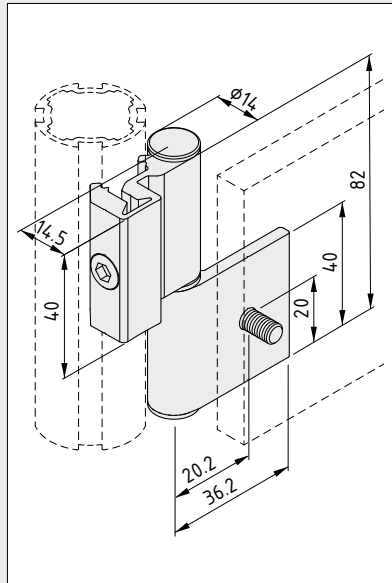
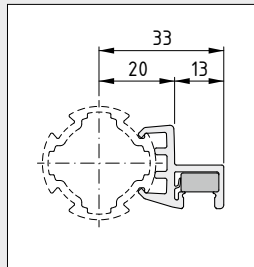
The Hinge is fixed to the frame of the main construction via the flank of a Profile Tube D30. When using Hinge D30-85 FP, a panel element in a thickness of up to 10 mm is used as the door, with both screwed directly together. The Hinge can be installed so the door opens to the right or left and can also be retrofitted. The load-carrying capacity per Hinge is 100 N.

Rebate Strip D30 H13 helps ensure the door always closes properly. When used with Magnetic Catch 32x10x5 sa, you can achieve a secure hold on panel elements of all types. Simply swivel the magnet into the groove on the Rebate Strip and stick the self-adhesive metal plates to the inside of the door.

Alternatively, you can use Hinge D30-85 PP to build a hatch that is fully framed with profiles. Both parts of this Hinge are screwed to the outside flanks of Profile Tubes. Hinge D30-85 PP is designed for a load-carrying capacity of 100 N and can be retrofitted to constructions.

You can find a wide variety of handles and grip rails in the item Online Shop.

Note: Please observe the safety instructions for working with neodymium magnets (item24.de/en/shop).

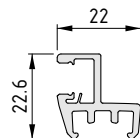


Hinge D30-85 FP

Clamp-Profile D30 Hinge, Al, anodized, natural
 Hinge Leaves, Al, anodized, natural
 Countersunk Screw DIN 7991 M6x14, St, bright zinc-plated
 Hexagon Socket Head Cap Screw DIN 6912 M6x12, St, bright zinc-plated
 Hinge Al light, Pin Set D6
 Notes on Use and Installation
 m = 81.0 g

1 set

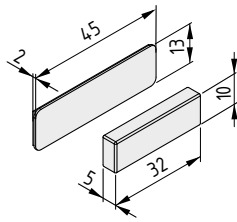
0.0.699.83



Rebate Strip D30 H13

ABS
 m = 145.0 g/m
 grey similar to RAL 7042, 1 pce., length 2010 mm

0.0.702.52

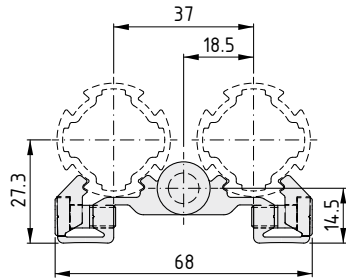


Magnetic Catch 32x10x5 sa

Magnet 32x10x5, nickel-plated
 Metal plate 45x13x2 sa, St, zinc-plated
 m = 160.0 g

1 set

0.0.710.66



Hinge D30-85 PP

2 Clamp-Profiles D30 Hinge, Al, anodized, natural
 2 Hexagon Socket Head Cap Screws DIN 6912 M6x12, St, bright zinc-plated
 Hinge Al light, Pin Set D6
 Notes on Use and Installation
 m = 92.0 g

1 set

0.0.699.84

Magnetic attraction

Enclosed neodymium magnet

High holding force

Fastens to a groove

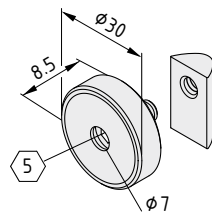


Magnet 8 D30-8.5 M6

Compact and strong! Magnet 8 D30-8.5 M6 is used to hold hatches and moving parts in place. Thanks to its high force of attraction, the neodymium magnet can also be used in Karakuri/LCA applications to balance out levers so they come to rest at the desired point.

Magnet 8 D30-8.5 M6 is screwed to a Line 8 groove. When combined with Adapter 6 D30/R15-2 (0.0.692.05) and an appropriate T-Slot Nut, it can also be used on a Profile Tube 6 D30. There is no need to change the screw for this purpose.

Note: Please observe the safety instructions for working with neodymium magnets (item24.de/en/shop).



Magnet 8 D30-8.5 M6



Partially preassembled
 Cup D30-8.5, St, bright zinc-plated
 Washer D26, St, bright zinc-plated
 Magnet D25, nickel-plated
 Hexagon Socket Head Cap Screw DIN 6912 M6x12, St, bright zinc-plated
 T-Slot Nut V 8 St M6, St, bright zinc-plated
 m = 49.0 g

1 set

0.0.700.29

Pull the other one

Simplifies Bowden cable fixings

All connections in one part

Precise adjustment

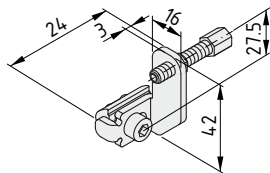


Bowden Cable Mounting 8 M6-28

More control with fewer parts! Bowden Cable Mounting 8 M6-28 makes it easier to connect locks, levers and hatches that are triggered by a handle and Bowden cable. The Mounting contains all the necessary connections for attaching the cable and the components.

Installing Bowden Cable Mounting 8 M6-28 saves you the hassle of fitting up to five separate accessories in order to use item Rotary Latch System D9.5-120x30 (0.0.695.00) for a Karakuri/LCA application. The cable is fed through the mounting at a height designed to suit the release lever of the latch system.

The mounting can be screwed to the Line 8 groove of a Profile Tube 8 D30 or a Multiblock D30.



Bowden Cable Mounting 8 M6-28

Bracket plate 8 M6, St, bright zinc-plated
 Adjusting Screw D5/D3-M6x30, CuZn, nickel
 Hexagon Socket Head Cap Screw DIN 912 M6x14, St, bright zinc-plated
 T-Slot Nut V 8 St M6, St, bright zinc-plated
 m = 43.0 g

1 set



0.0.700.08

Raising the bar

For stacking and destacking SLCs

High load-carrying capacity

Excellent operational reliability



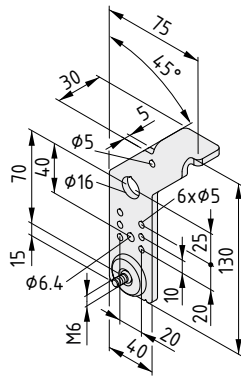
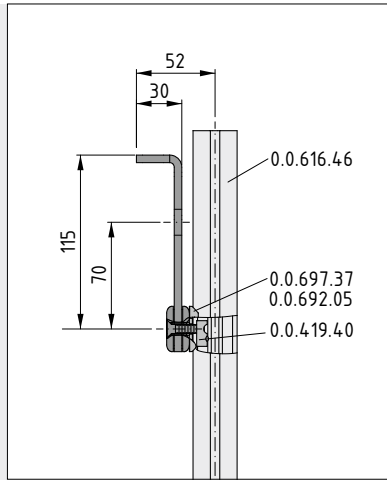
Stacking Unit D30 Bar T1 Stacking Unit D30 Bar T2 Bearing Set D30/D16-5 M6

Efficient container management! Karakuri/LCA can help you significantly reduce the strain on your employees when stacking and unstacking small load carriers (SLCs). The rotating Stacking Unit D30 Bars T1 and T2 have a large contact surface, ensuring containers are held securely in place. When actuated, the Bars pivot to the side and release the SLCs for further handling.

Stacking Unit D30 Bar T1 and Stacking Unit D30 Bar T2 are functionally identical but mirror images of each other for use on opposite sides. Two of each product – Stacking Unit D30 Bars T1 and T2 – are needed to construct a stacker/destacker.

If two bearing points are needed on the stacking unit, the free hole can be extended with an additional Bearing Set D30/D16-5 M6 (0.0.702.10). The Bearing Set is used to fasten the Bar to a Line 6 groove (on Profile Tube 6 D30, for example). The Bearing Set features two axial needle bearings and one radial ball bearing for reduced friction and improved process reliability. Even when under load, the durable bearing ensures only a small amount of force is needed to release containers.





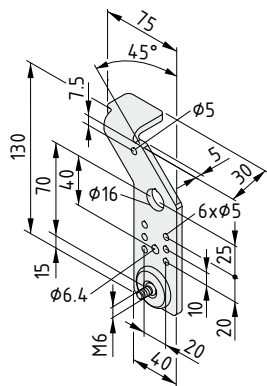
Stacking Unit D30 Bar T1



Preassembled
Stacking Unit D30 Bar T1, St, bright zinc-plated
Bearing Set D30/D16-5 M6
m = 246.8 g

1 pce.

0.0.707.16



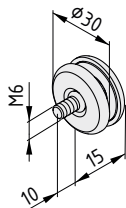
Stacking Unit D30 Bar T2



Preassembled
Stacking Unit D30 Bar T2, St, bright zinc-plated
Bearing Set D30/D16-5 M6
m = 246.8 g

1 pce.

0.0.707.17



Bearing Set D30/D16-5 M6



Preassembled
2 Caps D30/D6, St, stainless
Collar D8/D6, Al
Deep groove ball bearing 628, St
2 axial needle cages AXK1226, St
2 axial thrust washers AS1226, St
m = 45.0 g

1 pce.

0.0.702.10

Please release me

Simple to position

Reliable application

For custom picking solutions

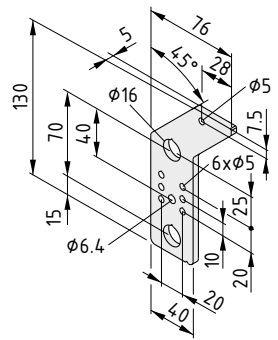


Release Unit D30 Bar 70/45

Custom actuation! Use Release Unit D30 Bar 70/45 to construct custom shooter and release solutions. The pivoting lever blocks an opening but can be pulled or pushed to clear the way and allow passage.

Release Unit D30 Bar 70/45 has two fixing points for Bearing Set D30/D16-5 M6 (0.0.702.10) – top or bottom – which can be used as required. It is an alternative to Release Unit D30 Bar T2 (0.0.692.07), which comes with two bearings already installed.

By creating your own custom combination of Bar and Bearing Set, you can build reliable structures that exhibit low friction and are therefore easy to operate and can be precisely controlled even when under load.



Release Unit D30 Bar 70/45



St, bright zinc-plated
m = 180.0 g

1 pce.

0.0.658.82



The signs are everywhere

For item Sign Frames

For connecting to Profile Tubes

Numerous mounting options



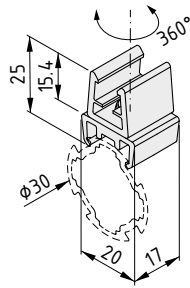
Sign Frame Holder D30, rotating Hook D30-36, rotating

Always in view! Sign Frame Holder D30, rotating and Hook D30-36, rotating are used to attach item Sign Frames to a Profile Tube D30. The products are also available in ESD-safe versions, if required.

Sign Frame Holder D30, rotating can be clipped to any point on a Sign Frame and then clipped to a profile flank. Signs can therefore be installed between or on Profile Tubes. Thanks to the rotating connection, signs can be arranged diagonally, too.

Hook D30-36 is used with Sign Hanger (0.0.700.75) and Chain 1.8x12 (0.0.701.38) to hang signs under a Profile Tube.

Note: Sign Frame Holder D30 should always be used in pairs.



Sign Frame Holder D30, rotating

Preassembled
 Universal holder D30/D6-3, POM, grey
 Sign holder clip, POM, grey
 m = 3.9 g

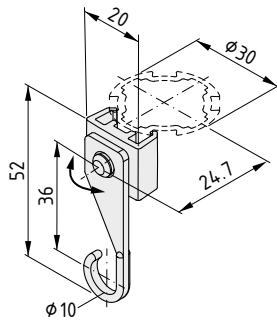
grey similar to RAL 7042, 1 pce. 0.0.700.23

Sign Frame Holder D30, rotating ESD



Preassembled
 Universal holder D30/D6-3, POM ESD, black
 Sign holder clip, POM ESD, black
 m = 3.9 g

black similar to RAL 9005, 1 pce. 0.0.700.88



Hook D30-36, rotating

Preassembled
 Universal holder D30/D6-3, POM, grey
 Plastic hook, POM, grey
 m = 3.0 g

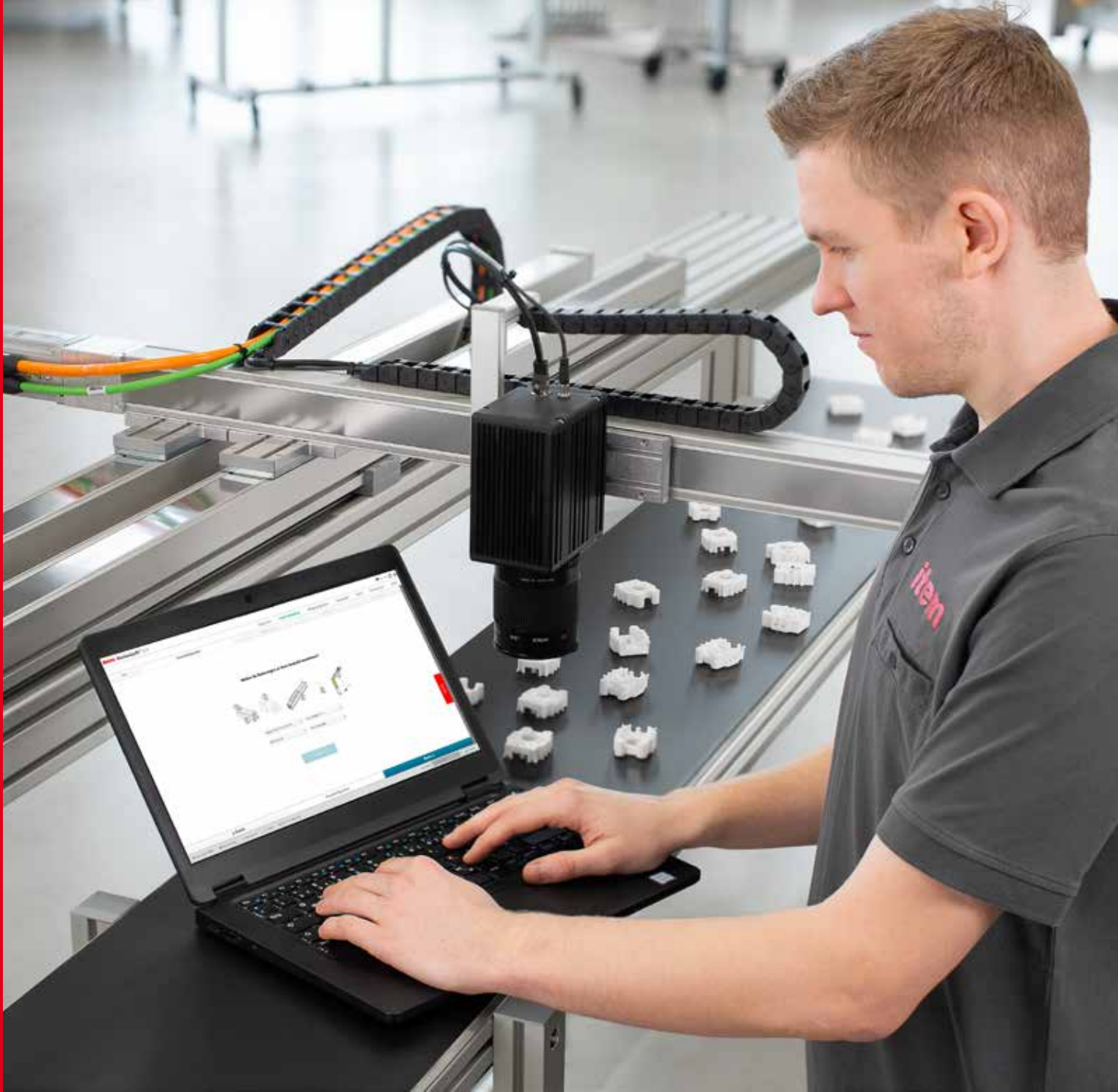
grey similar to RAL 7042, 1 pce. 0.0.701.05

Hook D30-36, rotating ESD



Preassembled
 Universal holder D30/D6-3, POM ESD, black
 Plastic hook, POM ESD, black
 m = 3.0 g

black similar to RAL 9005, 1 pce. 0.0.702.01



Boost efficiency – with the item Automation System

Linear Guide 6 60 PS

Accessories

Profile Fastening Set 6/8 80x60

A guiding hand

Precise linear guidance

Compact and strong

High torque accommodation



Linear Guide 6 60 PS and accessories

Easy-running and robust! Linear Guide 6 60 PS consists of one torsion-resistant profile rail and two heavy-duty bearing carriages. It is an all-in-one encapsulated guide solution and expands the item linear technology portfolio with a solution that is suitable for precise, low-friction movements. As a parallel-running guide, it supports the overall solution when it comes to accommodating large loads and torques.

Thanks to its installation dimensions of just 60x60 mm and two Line 6 grooves on its side flanks, the Linear Guide is very easy to integrate into constructions.

The version with the standard Carriage Plate is complemented by a version with a Transverse Carriage Plate for building parallel linear technology solutions. This makes it easy to construct torque-rigid robotics solutions and integrate elements into gantry solutions.



Simple connection options for your application:

Linear Guide 6 60 PS is supplied preassembled with a Carriage Plate or Transverse Carriage Plate. This ensures you can select the relevant solution straight away.



The benefits at a glance:

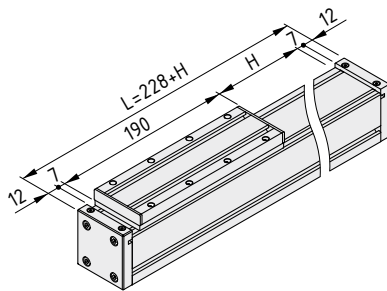
- Grooves and drilled holes provide secure fixings for applications
- Robust transverse carriage for multi-axis solutions
- Bearing carriages are protected inside the profile

If the Linear Guide is being used in parallel with a Linear Unit, the safety clearance of the Linear Unit must be factored in when designing the stroke. The stroke of the Linear Guide must be extended accordingly: $H = H_{LU} + X$

Linear Unit	Art. No.	H_{LU} [mm]	X [mm]	Linear Guide 6 60 PS	
Linear Unit KLE 6 60x60 LR	0.0.605.07	0 - 2644	172	$F_{y,max}$ [N] = $F_{z,max}$ [N]	2000
Linear Unit KGT 6 60 P20	0.0.706.00	0 - 1000	95	$M_{x,max}$ [Nm]	15
		1001 - 1560	127	$M_{y,max}$ [Nm] = $M_{z,max}$ [Nm]	120
		1561 - 2120	159		
		2121 - 2600	191		

H = Stroke of the Guide H_{LU} = Stroke of the Linear Unit

The design takes into account that the Linear Unit, combined with the parallel Linear Guide 6 60 PS, is not restricted in terms of movement and that the total lengths L of the Guide and Linear Unit are identical.



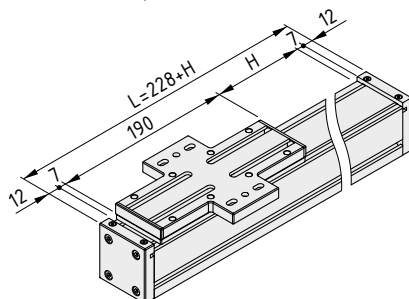
Linear Guide 6 60 PS (zero stroke)



Maximum stroke H_{max}	2816	mm
Basic mass (when stroke length = 0 mm) m_1	2.2	kg
Mass per mm of stroke m_2	3.4	g/mm
Total mass $m =$	$m_1 + H * m_2$	
Maximum acceleration	15	m/s^2
Maximum travelling speed	1	m/s

1 set

0.0.701.69



Linear Guide 6 60 PS Transverse Carriage (zero stroke)



Maximum stroke H_{max}	2816	mm
Basic mass (when stroke length = 0 mm) m_1	2.3	kg
Mass per mm of stroke m_2	3.4	g/mm
Total mass $m =$	$m_1 + H * m_2$	
Maximum acceleration	15	m/s^2
Maximum travelling speed	1	m/s

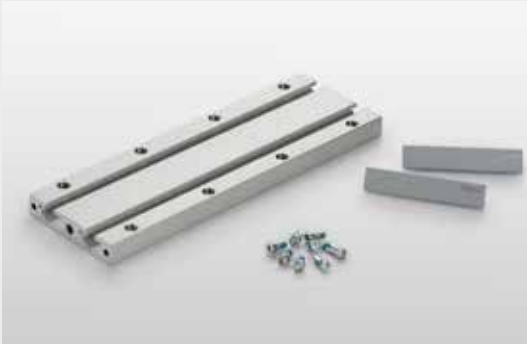
1 set

0.0.708.77

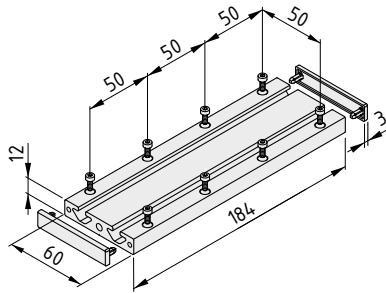
Accessories

Additions to the item Automation System

Carriage Plate 6 60 190x60 and Transverse Carriage Plate 6 60 190x119 are universal fastening points for attachments to Linear Unit KGT 6 60 P20 and Linear Guide 6 60 PS. They can be used as an alternative to the carriages included in the scope of delivery.



Thanks to the grooves on the Carriage Plate, accessories such as cable chains and sensors can be fixed in place using Line 6 fasteners. The Carriage Plate is available in the item MotionDesigner® as an accessory for Linear Unit KGT 6 60 P20 or can be ordered directly from the item Online Shop.



Carriage Plate 6 60 190x60



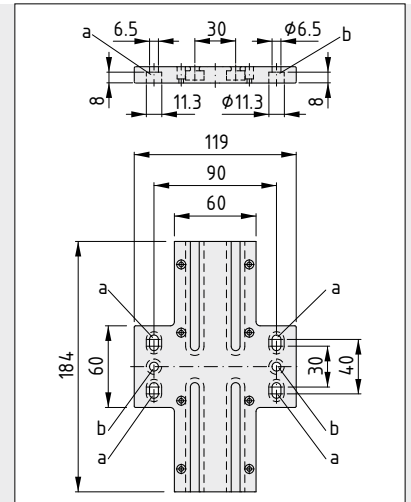
Profile X 6 60x12, Al, natural
 2 Caps X 6 60x12, PA-GF, grey
 8 Hexagon Socket Head Cap Screws DIN 912 M3x8, St, bright zinc-plated
 m = 247.0 g

1 set

0.0.708.76



In addition to all the benefits of the Carriage Plate, the Transverse Carriage Plate also enables the rigid connection of adaptations running at a right angle to the linear technology. For example, robust Carriages that can accommodate high torque loads can be installed between two linear technology components. What's more, the Transverse Carriage Plate makes it even easier to build gantry solutions.



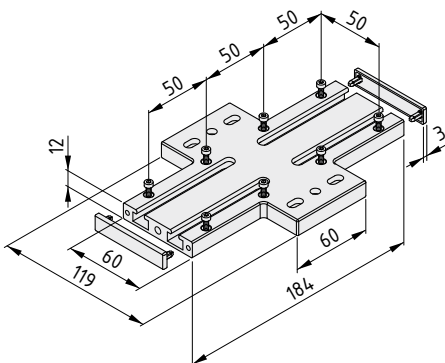
Transverse Carriage Plate 6 60 190x119



Transverse carriage plate 6 60x60, Al
 2 Caps X 6 60x12, PA-GF, grey
 8 Hexagon Socket Head Cap Screws DIN 912 M3x8, St, bright zinc-plated
 m = 350.0 g

1 set

0.0.708.75



Cooperation

Adapter for Line 6

Fastens to a Line 8 groove

For connecting Linear Units



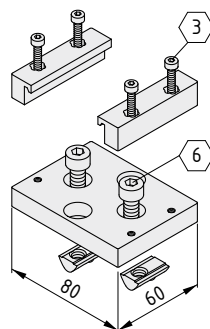
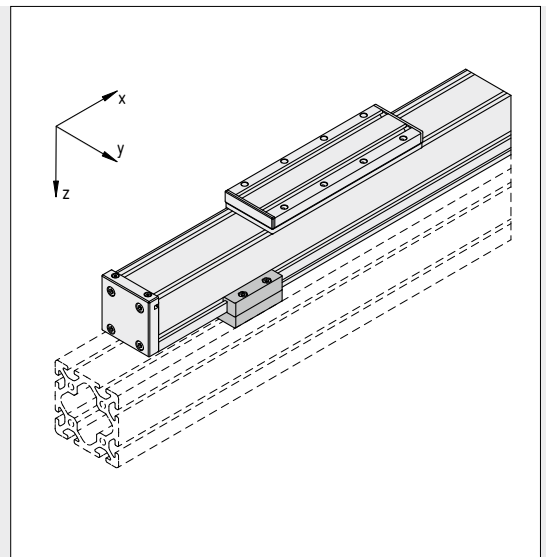
Profile Fastening Set 6/8 80x60

Profile Fastening Set 6/8 80x60 creates a friction-based connection between a component that has a Line 6 groove on its side and a base that features a Line 8 groove. This means, for example, that a 60 mm-wide profile of a Line 6 linear technology solution can be fastened to a support profile from Line 8 or an item Groove Plate.

The installation process is very easy and the shape of the fastener means that the components centre themselves. In addition, the friction-based connection provides a secure hold, even when fastening dynamic solutions based on item linear technology.

Load specifications for Profile Fastening Set 6/8 80x60:

$F_{x \max}$ [N]	$F_{y \max}$ [N]	$F_{z \max}$ [N]
500	500	500



Profile Fastening Set 6/8 80x60



Adapter plate, Al
 2 clamping pieces
 2 Hexagon Socket Head Cap Screws DIN 912 M8x14, St, bright zinc-plated
 4 Hexagon Socket Head Cap Screws DIN 912 M4x20, St, bright zinc-plated
 2 T-Slot Nuts V 8 St M8, St, bright zinc-plated
 m = 243.0 g

1 set

0.0.708.20

Other item product catalogues



Work Bench System

item24.de/en/epaper-wbs



Automation System

item24.de/en/epaper-au



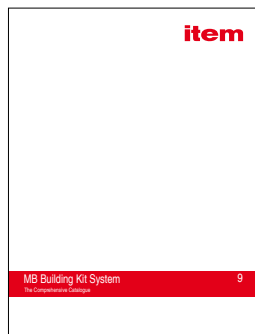
Line XMS

item24.de/en/epaper-xm



Lean Production Building Kit System

item24.de/en/epaper-lp



MB Building Kit System

item24.de/en/epaper-mb



Stairway/Platform System

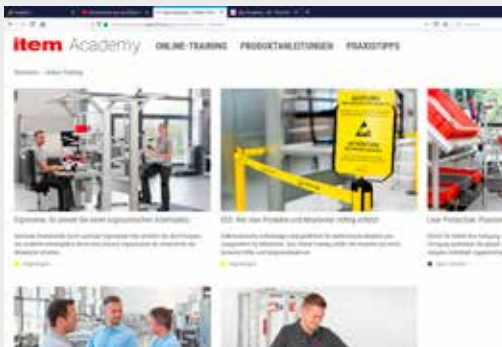
item24.de/en/epaper-tp



All the information you need at your fingertips

item product catalogues are available online as clearly laid out and convenient e-papers. Take your pick and get browsing!

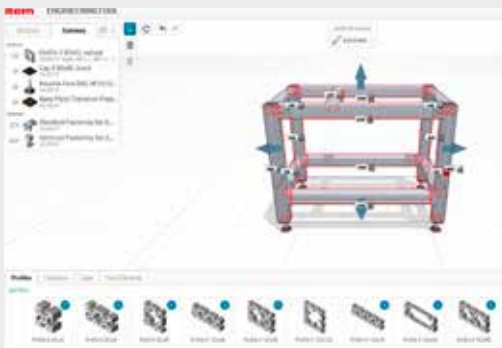
Your head-start for know-how – the item online portfolio



Further training just in time – the item Academy

Learn online – whenever, wherever and whatever you like! The item Academy offers online training, step-by-step guides and practical tips related to all aspects of mechanical engineering and the item product world. There is a huge range of offerings to choose from. The online learning platform presents wide-ranging specialist know-how on key issues such as lean principles and ESD safety and provides tricks and methods that can be put to use straight away. The Academy's content is available in multiple languages and is being constantly expanded.

academy.item24.com



Plan fast and make the right decisions – the item online tools

You can count on us! The item online configurators and online tools such as the Deflection Calculator for profiles will save you a lot of time. State-of-the art planning aids for work benches and SystemMobiles make it much easier for you to configure the perfect bespoke solution. When it comes to automation, you can track down the ideal Linear Unit using item MotionDesigner®. What's more, the Query Assistant is ideal for helping you plan stairways and platforms with ease.

item24.de/en/configurators



Service and information around the clock – item24.com

item is always there for you! The item website presents all product details, including CAD data. You will also discover the very latest news and a whole range of example applications. Complete parts lists and 3D PDFs provide the ideal basis for your own planning and access to a media library provides additional assistance. Find out about service offerings or get in touch with item – all at the click of your mouse.

item24.com

Alphabetical Register

A

Acrylic Glass 6mm GS, clear	12
Adapter 6 D30/R15-2	37
Assembly Set, LED Light Fitting E	27

B

Bearing Set D30/D16-5 M6	43
Bowden Cable Mounting 8 M6-28	42

C

Cantilever Foot 8 160x60 790x90	23
Cap, Cube Fastening Set 8 40	6
Carriage Plate 6 60 190x60	51
Castor Support 8 D80	22
Connecting Cable, LED Machine Light Fitting, 0.2 m	26
Cube Fastening Sets 8 2D/3D 40x40x40	5

F

Flange 8 D30 90x40-80 180°	35
Flange 8 D30 90x90-80 90°	35

H

Hinge D30-85 FP	38
Hinge D30-85 PP	40
Hook D30-36, rotating	46
Hook D30-36, rotating ESD	46

J

Joining Plate Sets 8 40	7
-------------------------	---

L

Lift Module 8 120x120 HF	19
Lift Module 70x70 GH	21
Linear Guide 6 60 PS Transverse Carriage (zero stroke)	50
Linear Guide 6 60 PS (zero stroke)	49

M

Magnet 8 D30-8.5 M6	41
Magnetic Catch 32x10x5 sa	40
Motor Extension Cable HD, 1.2m	18

P

Panel-Fixing Strips 8 K	13
Panel-Fixing Strips 8 K 4-5mm	14
Panel-Fixing Strips 8 K 4-5mm, Corner Set	14
Product Separator D30-55 ESD	33
Profile Fastening Set 6/8 80x60	52

R

Rebate Strip D30 H13	39
Release Unit D30 Bar 70/45	45
Robot Mounting Plates 8	10

S

Sign Frame	28
Sign Frame accessories	30
Sign Frame Holder D30, rotating	46
Sign Frame Holder D30, rotating ESD	46
Stacking Unit D30 Bar T1	43
Stacking Unit D30 Bar T2	43
Swivel Catch 8 Pi 54 PA	15
Swivel Catch 8 Pi 54 PA ESD	15

T

Table Column Set 2 E HD ESD 230V	17
Table Column Set 4 E HD ESD 230V	17
Table-Top Support 8 520x100	23
Test Lead Holder 8	25
Threaded Insert M8 for Cube Fastening Set 8	6
Transverse Carriage Plate 6 60 190x119	51

U

Universal Mounting Plates 8	10
-----------------------------	----



Always there for you.

Always up to date: Our website at item24.com offers further information on all the products and technologies that item supplies.

Patents

Any copying of protected products is a violation of these rights and, as such, shall be liable to compensation. Data and illustrations in this catalogue do not discharge the users from the obligation to carry out their own checks to determine whether the industrial property rights of third parties are infringed.

Product liability

item shall be liable, within the framework of the applicable legal provisions, for the promised characteristics of the products shown in this catalogue. Any claims for liability above and beyond such – in particular relating to products created by third parties using products included in this catalogue – are expressly excluded.

Conditions of use

The products in the item building kit systems are suitable for use in dry conditions and over the temperature range -20 °C to +70 °C, unless otherwise indicated. item must be consulted where products are to be used for applications outside these limits.

Conformity with Directive 2011/65/EU ("RoHS")

item has made a voluntary undertaking to refrain from using hazardous substances as defined in Directive 2011/65/EU in the products it sells, irrespective of their subsequent purpose which, in the majority of cases, does not fall under this Directive.

Concept, design and realisation

item Industrietechnik GmbH

Photographs

item Industrietechnik GmbH

Technical modifications and errors reserved.

All rights reserved. Use of texts and illustrations or reprints of any kind only permitted with prior written consent from item. This applies in particular to reproduction, translation or use in electronic systems.

item and the item claim are a registered trademark of item Industrietechnik GmbH.

© item Industrietechnik GmbH 2021

Your distribution and service partner

item

item Industrietechnik GmbH
Friedenstrasse 107-109
42699 Solingen
Germany

Telephone +49 212 6580 0
Fax +49 212 6580 310

info@item24.com
item24.com

Your ideas are worth it.®