

**item**



**Systematic innovation.**

New Products 2015/ II



## Experience innovation – new item products for 2015/ II.

### 4 MB Building Kit System

Doubling functionality! The new item **Jacking Castor D62** combines a stable castor with a height-adjustable knuckle foot. It enables easy movement of work benches, laboratory equipment and racks to precisely where they are needed, while the integrated knuckle foot ensures structures are stable, with height compensation built in.

Doubling up for a better hold and more speed! The new item **Automatic-Fastening Set with Double T-Slot Nut** keeps things moving fast. Immediately after securing the first Automatic Fastener in place, the second can be tightened straight away, without any further adjustment.

Doubling benefits! **Standard-Fastening Set 8, one-sided** can be used to create right-angled profile connections that allow for a Cap and thus create a flush fit – making them ideal for doors. What's more, there is no need to cut off the corners of panel elements that are being fitted into the profile grooves.

### 15 Line XMS

New size! Thanks to **Double Door Stop Set 8 – XMS** users can now build generous double doors without having to incorporate inconvenient centre posts. This world-first from item holds the passive door in place when the active door is closed. Only one lock is required – there is no need to open or close an additional latch.

New shape! Thanks to the new **XMS profiles with a 45° angle** users can build eight-sided housings that ensure all the areas on a rotary indexing table can be easily accessed, for example. Profiles X 8 45° – XMS are compatible with Line XMS and offer all the benefits associated with the product line, such as integrated cable conduits and an inside groove for a continuous all-round door seal.

New outer face! The compact **Profiles X 8 90° – XMS** feature a gentle curvature on the outer edge instead of a right angle. That gives them a stunning, elegant look and eliminates sharp corners.



## 24 Work Bench System

Fast, sharp but safe! Applying packaging tape and cutting it in one fluid motion, that's what the **item Packaging Tape Dispenser** does. Its rubber-coated roller stops air bubbles forming under the tape and is gentle on packaged goods. When depressed, the transparent guard automatically releases the integrated cutting blade, which is safely covered over when not required.

Fast and dissipated! When fitted to item SystemMobiles and mobile racks the new **ESD Drag Chain** made from stainless steel protects against electrostatic discharge. Permanent contact with the ESD-safe floor safely dissipates any static charge. The Drag Chain cleans itself while on the move, so that it can be relied on to do its job even in dusty working environments.

## 27 Lean Production Building Kit System

Protect against impacts and scratches! **Protective Profile D30 R28-90°** features an air-filled chamber that deforms on impact to absorb collision energy. Afterwards, it returns to its original shape thanks to the use of plastic with durable elasticity. Separate lengths of this item innovation each cover one flank of a profile to ensure all other areas can be accessed.

Protect profiles and transported goods! **Roller D46/D30-20** uses profiles D30 as an axle and features the same transport height as the item roller conveyors. As a result, it supports the transition between stretches of roller conveyor with different gradients or can be used to provide lateral guidance.

Protect against tangled cables! **Universal Holder D30** can be used to route cables and lines securely along a Profile Tube. Simply clip it into place and it holds firm without any drilling, screws or adhesive.



## Factory equipment engineering – with the MB Building Kit System.

Circular Spirit Level 8 D20

Jacking Castors D62

Automatic-Fastening Sets

Standard-Fastening Sets 8, one-sided

Automatic Angle Bracket Caps 8

Hinge St

Conduit Cap 80x40 with Cable Entry Protector



All lined up.

Rapid adjustments

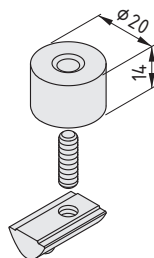
For mobile workstations



### Circular Spirit Level 8 D20

Make sure everything is perfectly lined up in no time. The item Circular Spirit Level makes light work of checking the horizontal position of profiles and tables. When using mobile workstations in particular, it offers an incredibly convenient way to check that knuckle feet have been correctly adjusted for height compensation. The Circular Spirit Level is screwed into the groove on a profile, so that personnel using mobile equipment don't need to carry an additional spirit level with them.

**N.B.:** Spirit levels are so called because the liquid inside them is usually a spirit or alcohol, which is less prone to freezing than water, which could break the glass vessel as it cools and expands.



#### Circular Spirit Level 8 D20



Circular Spirit Level D20x14 M5, natural  
 T-Slot Nut V 8 St M5, bright zinc-plated  
 Grub screw DIN913 M5x16, St, bright zinc-plated  
 m = 22.3 g

1 set

0.0.672.96



Mobile and stable.

A steady footing with height compensation

Easy transport thanks to castor

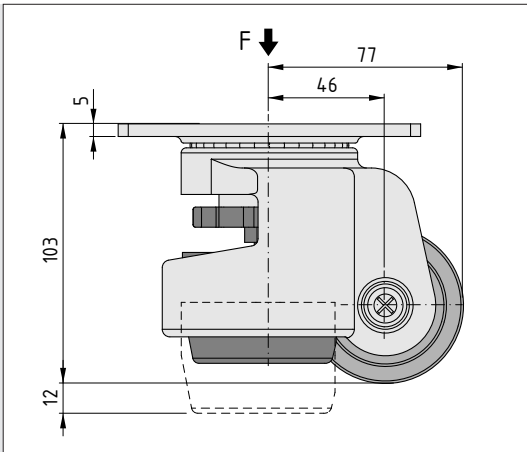


## Jacking Castors D62

Can you have a footing that is rock solid, and yet movable? You can with the item Jacking Castor! This product combines a castor with a height-adjustable, non-slip knuckle foot. It enables personnel to move work benches, laboratory equipment and racks to precisely where they are needed. And when they get there, the integrated knuckle foot is simply lowered into position to ensure nothing shakes around or slips.

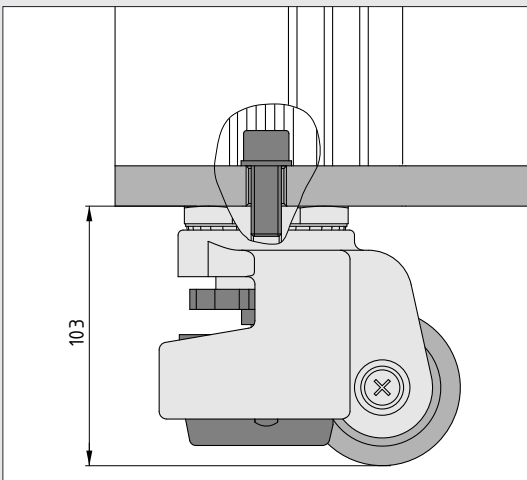
Jacking Castors D62 are designed to accommodate loads up to 3400 N. The height adjustment function can be operated via an integrated adjustment wheel or using a wrench (17 A/F). The knuckle foot can compensate for a difference in height of up to 12 mm.



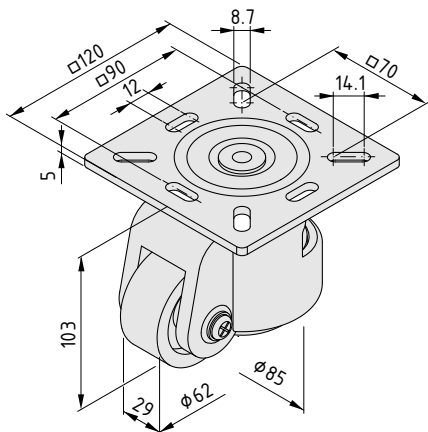


Carrying capacity 340 kg/castor

Jacking Castor D62 120x120 features a universal connecting plate that is compatible with frames made of Line 8 profiles. The screw attachment can be made using Button-Head Screw M8x16 (8.0.000.19) and T-Slot Nut 8 St M8 (0.0.026.18).



Jacking Castor D62 can be fitted directly to any Base Plate/ Transport Plate with an M12 and M16 thread using the enclosed Hexagon Socket Head Cap Screw and washer.



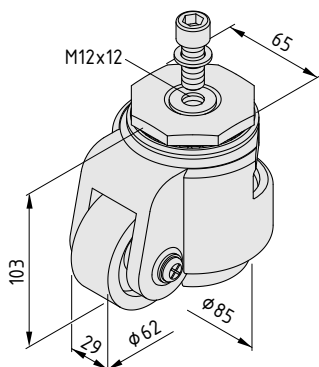
**Jacking Castor D62 120x120**



Housing, die-cast Al, powder-coated RAL 9006 white aluminium  
 Plate, St, bright zinc-plated  
 Knuckle Foot, NBR, black  
 Castor, PA, black  
 m = 1.5 kg

1 pce.

0.0.667.44



**Jacking Castor D62**

Housing, die-cast Al, powder-coated RAL 9006 white aluminium  
 Plate, St, bright zinc-plated  
 Knuckle Foot, NBR, black  
 Castor, PA, black  
 Hexagon Socket Head Cap Screw DIN 912-M12x30, St, bright zinc-plated  
 Washer DIN 433-13, St, bright zinc-plated  
 m = 1.1 kg

1 set

0.0.674.53

Twice as good.

Practical double T-Slot Nut

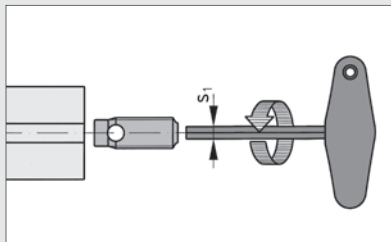
Rapid assembly



## Automatic-Fastening Sets

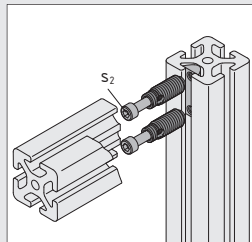
Screw parts together faster! The item Automatic-Fastening Set is used in pairs, which means that a certain amount of skill is needed to make sure the T-Slot Nuts are properly positioned. Thanks to the double T-Slot Nut, however, things just got a lot easier – as soon as the first Automatic Fastener has been secured in place, the second can be tightened straight away.

The Automatic Fasteners with double T-Slot Nut come in complete sets for the Line 8 groove (suitable for profile widths of 40 and 80 mm), Line 6 groove (profile widths of 30 and 60 mm) and Line 5 groove (profile width of 20 mm).



The Fastener is screwed into a profile groove in the end face, the thread being cut automatically. Use of a lubricant is recommended.

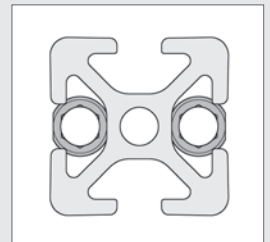
**Note:** All Fasteners with a through bore for the fastening screw have a counter-clockwise thread on the outside in order to prevent the Fastener twisting when the screw is tightened.



L-Keys from item are the ideal tool for tightening the screws of the Automatic-Fastening Set (tightening torque M).

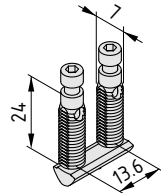
Automatic-Fastening Set

	5	6	8
S <sub>1</sub>	4 A/F	5 A/F	6 A/F
S <sub>2</sub>	3 A/F	4 A/F	5 A/F



Automatic-Fastening Set 5 should be inserted so that the flattening on the thread is flush with the outer edge of the profile.

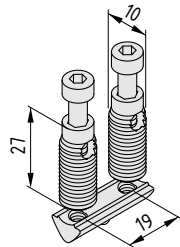



**Automatic-Fastening Set 5 20**


2 Automatic Fasteners 5, St, bright zinc-plated  
 2 screws M4x30, St, bright zinc-plated  
 T-Slot Nut V 5 St 2xM4-20, bright zinc-plated  
 M = 2.5 Nm      m = 18.0 g

1 set

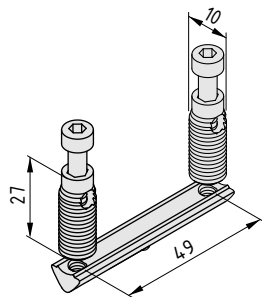
0.0.672.88


**Automatic-Fastening Set 6 30**


2 Automatic Fasteners 6, St, bright zinc-plated  
 2 Hexagon Socket Head Cap Screws DIN 912-M5x35, St, bright zinc-plated  
 T-Slot Nut 6 St 2xM5-28, bright zinc-plated  
 M = 8 Nm      m = 39.0 g

1 set

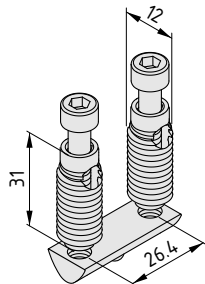
0.0.672.86


**Automatic-Fastening Set 6 60**


2 Automatic Fasteners 6, St, bright zinc-plated  
 2 Hexagon Socket Head Cap Screws DIN 912-M5x35, St, bright zinc-plated  
 T-Slot Nut 6 St 2xM5-58, bright zinc-plated  
 M = 8 Nm      m = 49.0 g

1 set

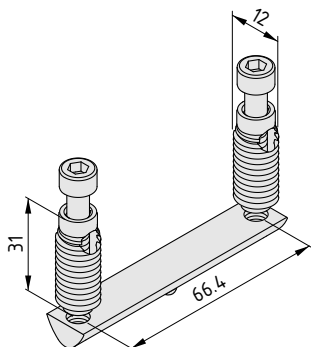
0.0.672.87


**Automatic-Fastening Set 8 40**


2 Automatic Fasteners 8, St, bright zinc-plated  
 2 Hexagon Socket Head Cap Screws DIN 912-M6x40, St, bright zinc-plated  
 T-Slot Nut 8 St 2xM6-36, bright zinc-plated  
 M = 14 Nm      m = 60.4 g

1 set

0.0.672.84


**Automatic-Fastening Set 8 80**


2 Automatic Fasteners 8, St, bright zinc-plated  
 2 Hexagon Socket Head Cap Screws DIN 912-M6x40, St, bright zinc-plated  
 T-Slot Nut 8 St 2xM6-76, bright zinc-plated  
 M = 14 Nm      m = 81.5 g

1 set

0.0.672.85



A close connection.

Caps fit flush

Smaller clearance for doors

No need to trim corners of panel elements



## Standard-Fastening Sets 8, one-sided

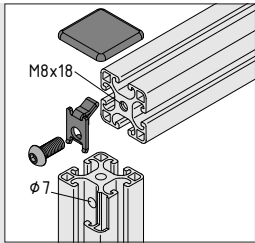
For perfectionists everywhere! Standard-Fastening Set 8, one-sided can be used to build right-angled profile connections that fit flush when a Cap is fitted to one of the profiles. What's more, there is no need to cut off the corners of panel elements that are being fitted into the profile grooves.

This extends the range of potential applications for the item Standard-Fastening Set. The symmetrical version ensures that profiles are fitted flush at their outer edges, however that means Caps project beyond the profile, which affects the clearance on doors. Standard-Fastening Set 8, one-sided therefore has a modified centring feature that allows users to offset the profiles. The end result is that the outer edges – including the Cap – fit flush and doors can thus be designed with a lower clearance from the surrounding frame.

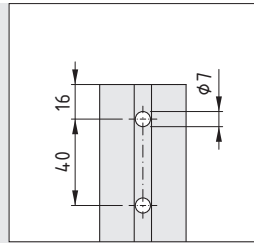
Because Standard-Fastening Set 8 has an anti-torsion feature on just one side, the internal grooves are left clear. This means that panel elements can be inserted into the grooves without having to trim the corners first.

Standard-Fastening Set 8, one-sided is also available in an ESD-safe version.

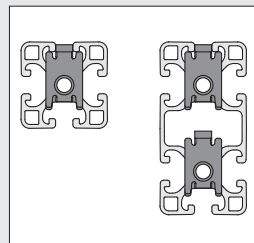
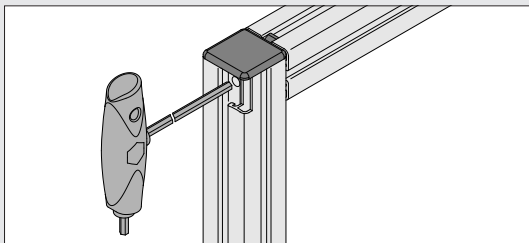
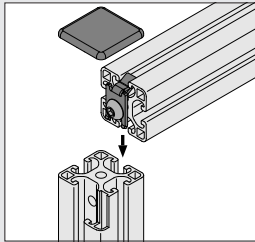
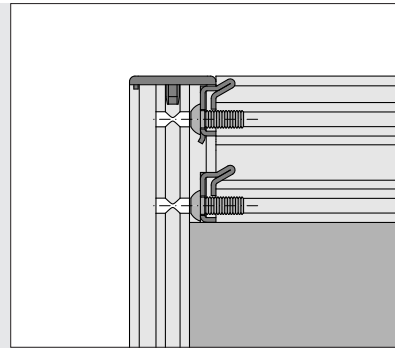




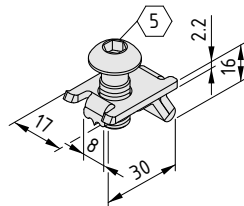
The necessary thread is tapped directly into the core bore of the profiles.



Position of the through holes for the key.



The standard connecting plates can be arranged to match the way in which the profiles are fitted. Large profiles with high load-bearing capabilities can be connected using a larger number of Standard Fasteners.



**Standard-Fastening Set 8, one-sided**



Standard connecting plate 8, one-sided, St, bright zinc-plated  
 Special Button-Head Screw similar to ISO 7380 M8x20, St, bright zinc-plated  
 M = 25 Nm      m = 19.0 g

1 set 0.0.672.99

**Standard-Fastening Set 8 ESD, one-sided**



Standard connecting plate 8, one-sided, St, bright zinc-plated  
 Special Button-Head Screw similar to ISO 7380 M8x20, St, bright zinc-plated  
 M = 25 Nm      m = 19.0 g

1 set 0.0.673.00

Mind the gap.

Dust protection for Automatic Angle Bracket Set

Easy to install

Easy to remove

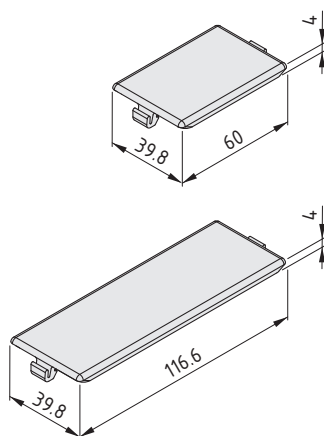


## Automatic Angle Bracket Caps 8

The item Automatic Angle Bracket Set is the fastest profile fastener. Because everything is preassembled and all users have to do is tighten the screws, structures can be put together in next to no time. Automatic Angle Bracket Cap 8 is just as easy to fit – and to remove again, if required.

This ingenious accessory for keeping out dust and dirt can be pushed into place by hand and removed with ease using a screwdriver. Whether for a few days or for years, Automatic Angle Bracket Cap 8 keeps things clean and tidy.

**Note:** Please select the Cap to fit either Automatic Angle Bracket Set 40x40 or 80x80 as appropriate. Automatic Angle Bracket Caps 8 are available in grey and black. They can also be used with Angle Bracket Set 8 40x40 PA (0.0.647.03) and Angle Bracket Set 8 80x80 PA (0.0.647.03).



### Automatic Angle Bracket Cap 8 40x40



PA-GF

m = 7.0 g

black similar to RAL 9005, 1 pce.

0.0.669.89

grey similar to RAL 7042, 1 pce.

0.0.669.28

### Automatic Angle Bracket Cap 8 80x80



PA-GF

m = 15.0 g

black similar to RAL 9005, 1 pce.

0.0.669.90

grey similar to RAL 7042, 1 pce.

0.0.669.88



An elegant hinge.

Lightweight and stable

Now also available in grey

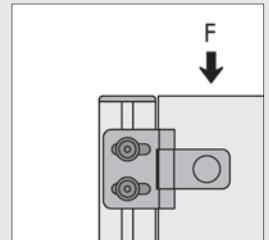


## Hinge St

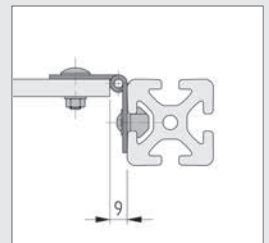
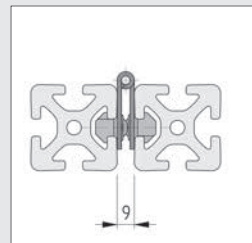
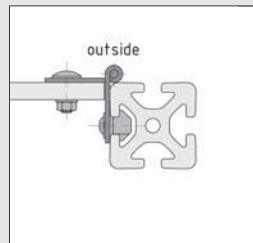
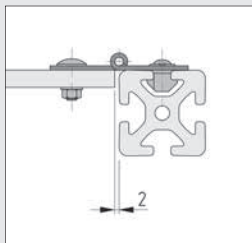
The universal Hinge St makes short work of securing doors and hatches. The use of slots makes the hinge highly adjustable and compatible with Lines 5 to 8. The maximum opening angle is 180°. The Hinge can be mounted on the inside or outside of the door (when mounted on the inside it cannot be unscrewed).

Hinge St is also available in black (0.0.373.82).

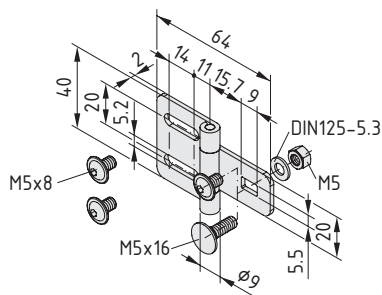
**Note:** T-Slot Nuts 8 Zn M5 are recommended for screwing Hinge St to the Line 8 Profile.



F = 250 N



These attachment versions of Hinge St cannot be unscrewed from the outside.



### Hinge St

Hinge halves, St, powder-coated RAL 9006 white aluminium  
 3 dome-head screws M5x8, St, bright zinc-plated  
 Hexagon nut DIN 934-M5, St, bright zinc-plated  
 Washer DIN 125-5.3, St, bright zinc-plated  
 Flat head screw DIN 603-M5x16, St, bright zinc-plated  
 m = 51.0 g

1 set

0.0.649.47

A smooth finish.

End-face cable entry protector

Compatible with Conduit Profiles U 80x40 SE

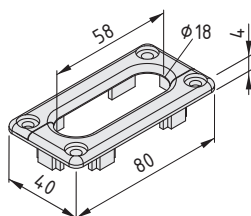
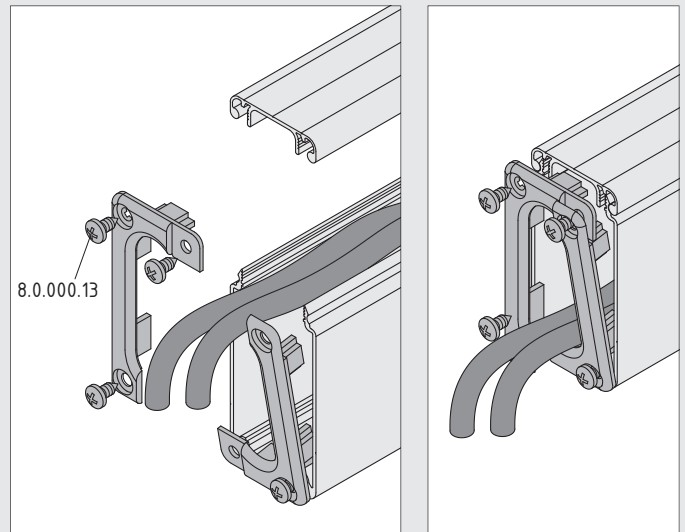
Can be retrofitted



## Conduit Cap 80x40 with Cable Entry Protector

The practical accessory for Conduit Profiles U 80x40 SE and the Modular Conduit System! Conduit Cap 80x40 with Cable Entry Protector is the ideal solution when lines need to be routed through the end face of a conduit. It can also be retrofitted around cables and lines that have already been laid. The Cap consists of two L-shaped parts that interlock and are screwed into place together. The plastic Cap stops cables from coming into contact with potentially sharp cut edges on the installation conduit.

**Note:** Conduit Cap 80x40 with Cable Entry Protector can be fitted to Support and Wall Profiles from the Modular Conduit System, Conduit Profile U 80x40 D40 SE and Conduit Profile U 80x40 D80 SE. Please ensure that the Conduit Profiles are the SE versions, which incorporate a screw channel for securing the Cap in place.



Conduit Cap 80x40 with Cable Entry Protector

PA-GF  
m = 16.0 g  
black, 1 set

0.0.672.01



## Mechanical engineering automation – with Line XMS.

Double Door Stop Set 8 – XMS

Profiles X 8 45° – XMS

Profiles X 8 90° – XMS



Unfettered access.

A world-first!

For double doors

Holds secure without a centre post



## Double Door Stop Set 8 – XMS

This is how to secure two doors in one easy step! Thanks to Double Door Stop Set 8 – XMS, generous double doors can now be built without having to incorporate inconvenient centre posts. The innovative mechanism ensures that the passive door is automatically held in place when the active door is closed. One lock is all that is needed to keep both doors securely locked in place.

Here are the benefits of this world-first from item:

**Fast to operate:** Both doors are secured together with just a single lock. Users don't have to open or close an additional latch or catch.

**Totally secure:** Double Door Stop Set 8 – XMS automatically locks the passive door when the double doors are closed, so that they can't be accidentally pulled open.

**No misuse:** The mechanism is not damaged if the doors are not completely shut.

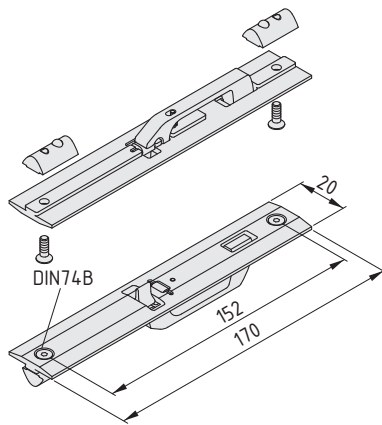
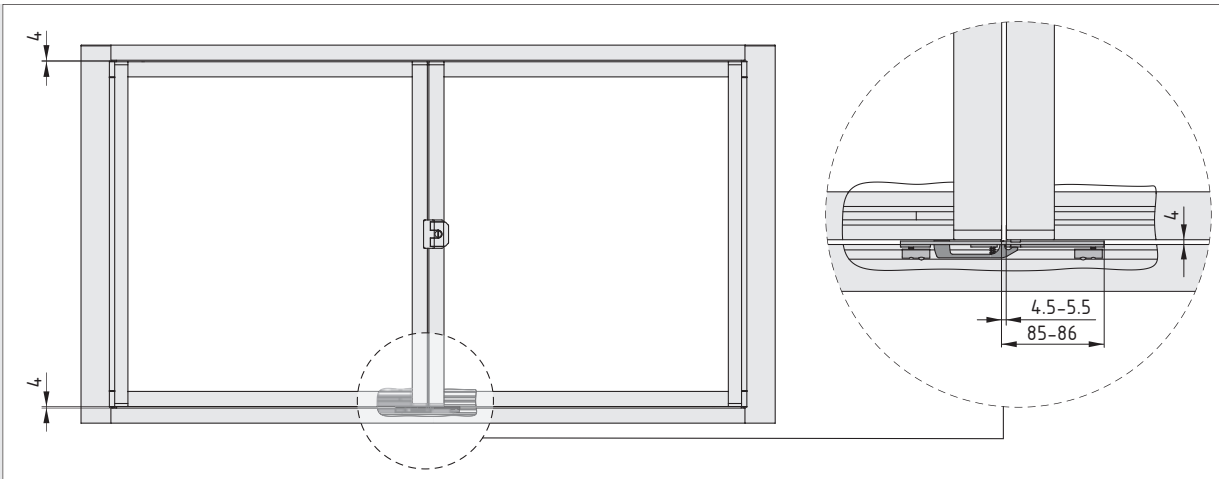
**Spotlessly clean:** As is standard for Line XMS, double doors can also be sealed dust-tight using Door Seal Adapter Profile 8 – XMS.

Double Door Stop Set 8 – XMS is the simplest way to use safe double doors that provide access for feeding large workpieces unobstructed into a machine. Whether a maintenance hatch or a safety door in a machine frame, it satisfies the most stringent requirements in terms of safety, cleanliness and rapid access.

**N.B.:** Door Lock X 8 Zn (0.0.652.66) is ideal as a mechanical locking device. All fastening screws are safely concealed when the door is closed. Safety Switch 8, 24V DC (0.0.658.28) provides even better safety. It uses contactless switching and is therefore free from mechanical wear, thanks to tamper-proof RFID technology.





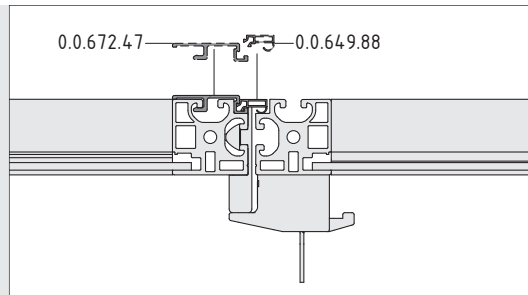


**Double Door Stop Set 8 – XMS**

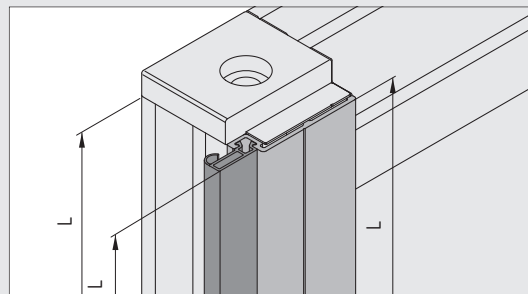
2 double door stops, die-cast zinc  
 4 Countersunk Screws DIN 7991-M4x12  
 4 T-Slot Nuts V8 St M4, St, bright zinc-plated  
 m = 135.0 g

1 set

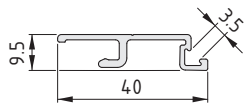
0.0.671.94



Door Seal Adapter Profile X 8 – XMS ensures that double doors close to provide a long-lasting dust-tight seal. It is used to fit Door Lip Seal T1 – XMS (0.0.649.88) to the outside of Door Profile X 8 40x40 – XMS (0.0.649.51). The Adapter provides a secure hold for the seal between the doors.



The Door Profile, Door Lip Seal and Door Seal Adapter Profile are all cut to the same length.



**Door Seal Adapter Profile X 8 – XMS**

Al, anodized

A [cm <sup>2</sup> ]	m [kg/m]	I <sub>x</sub> [cm <sup>4</sup> ]	I <sub>y</sub> [cm <sup>4</sup> ]	W <sub>x</sub> [cm <sup>3</sup> ]	W <sub>y</sub> [cm <sup>3</sup> ]	I <sub>t</sub> [cm <sup>4</sup> ]	
0.98	0.26	0.10	1.16	0.16	0.55	0.01	
natural, cut-off max. 3000 mm							0.0.672.47
natural, 1 pce., length 3000 mm							0.0.672.46



A really good angle.

45° profiles for eight-sided frames

Ideal for e.g. rotary indexing tables

With integrated cable conduit



## Profiles X 8 45° – XMS

More design freedom for your machine frames! XMS profiles with a 45° angle can be used to build eight-sided housings that provide easy access to all the areas on a rotary indexing table, for example.

Profiles X 8 45° – XMS with closed surfaces boast all the key features of Line XMS – now in a 45° angle. Two versions are available:

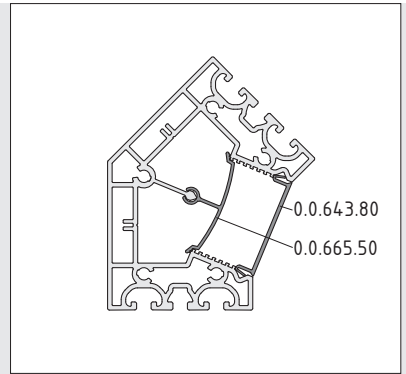
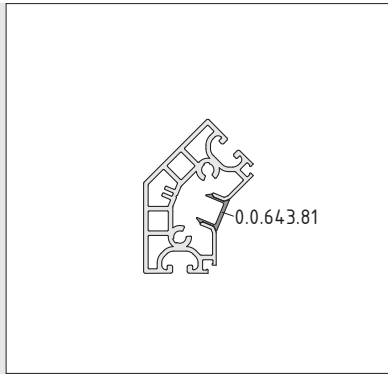
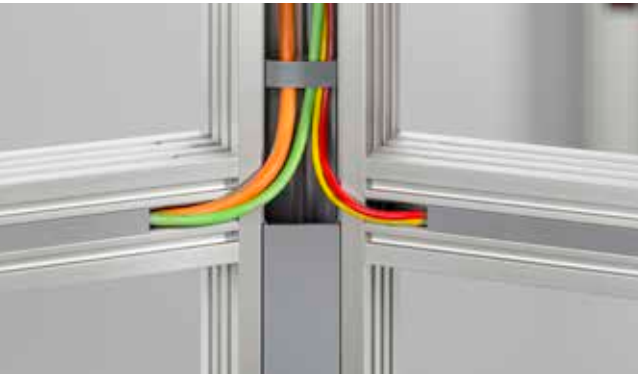
**Profile X 8 80-45° K56 – XMS** features a strong hold and plenty of space in the large, two-part cable conduit. Two Line 8 grooves in each of the flanks and a special inside groove for installing Door Lip Seal 8 – XMS (0.0.649.89) make it ideal for use as a supporting profile when installing heavy-duty doors.

Compact **Profile X 8 40-45° K15 – XMS** has a narrow integrated cable conduit and one Line 8 groove on each side. Door Lip Seal T1 – XMS (0.0.649.88) can be fitted into the specially designed corner grooves of the profile to act as a door rabbet and seal.

Coordinated Base Plates/Transport Plates make it easier to fit Adjustable Feet and Castors to structures. Firstly, **Base Plate/Transport Plate X 8 40-45° M16** and **Base Plate/Transport Plate X 8 80-45° M16** are screwed to the underside of the 45° corner profiles. Secondly, because they overlap the sides of the corner profile, with holes for additional screw connections, they also support horizontal profiles. They thus help to boost the rigidity of the machine enclosure.

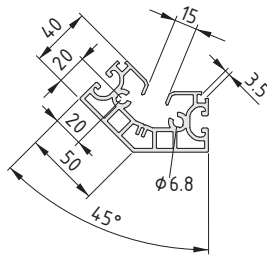
Compatible Caps are also available for Profiles X 8 45° – XMS.





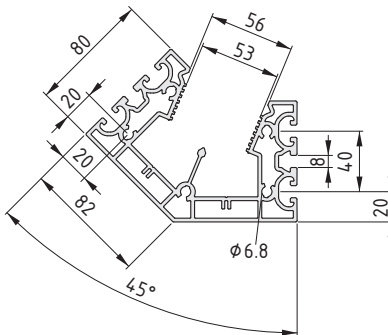
Materials used in all the following products:

Al, anodized



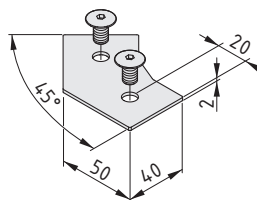
**Profile X 8 40-45° K15 – XMS**

A [cm <sup>2</sup> ]	m [kg/m]	I <sub>x</sub> [cm <sup>4</sup> ]	I <sub>y</sub> [cm <sup>4</sup> ]	W <sub>x</sub> [cm <sup>3</sup> ]	W <sub>y</sub> [cm <sup>3</sup> ]	I <sub>t</sub> [cm <sup>4</sup> ]	
10.88	2.94	27.54	62.10	7.68	13.77	7.23	
natural, cut-off max. 6000 mm							0.0.668.48
natural, 1 pce., length 6000 mm							0.0.668.47



**Profile X 8 80-45° K56 – XMS**

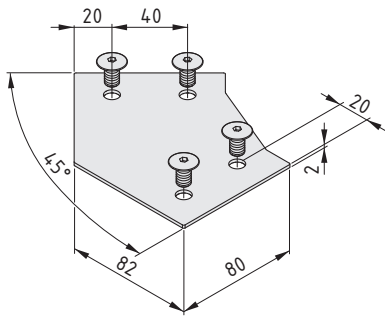
A [cm <sup>2</sup> ]	m [kg/m]	I <sub>x</sub> [cm <sup>4</sup> ]	I <sub>y</sub> [cm <sup>4</sup> ]	W <sub>x</sub> [cm <sup>3</sup> ]	W <sub>y</sub> [cm <sup>3</sup> ]	I <sub>t</sub> [cm <sup>4</sup> ]	
24.12	6.63	224.16	414.58	33.11	53.98	24.61	
natural, cut-off max. 6000 mm							0.0.668.50
natural, 1 pce., length 6000 mm							0.0.668.49



**Cap X 8 40-45° Al**

Cap, Al, white aluminium similar to RAL 9006  
2 dome-head screws M8x14, St, bright zinc-plated  
m = 33.0 g

1 set	0.0.670.77
-------	------------

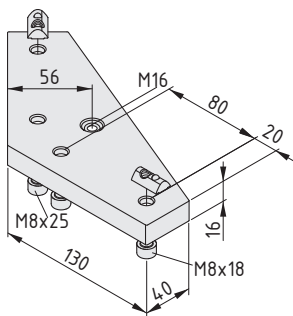
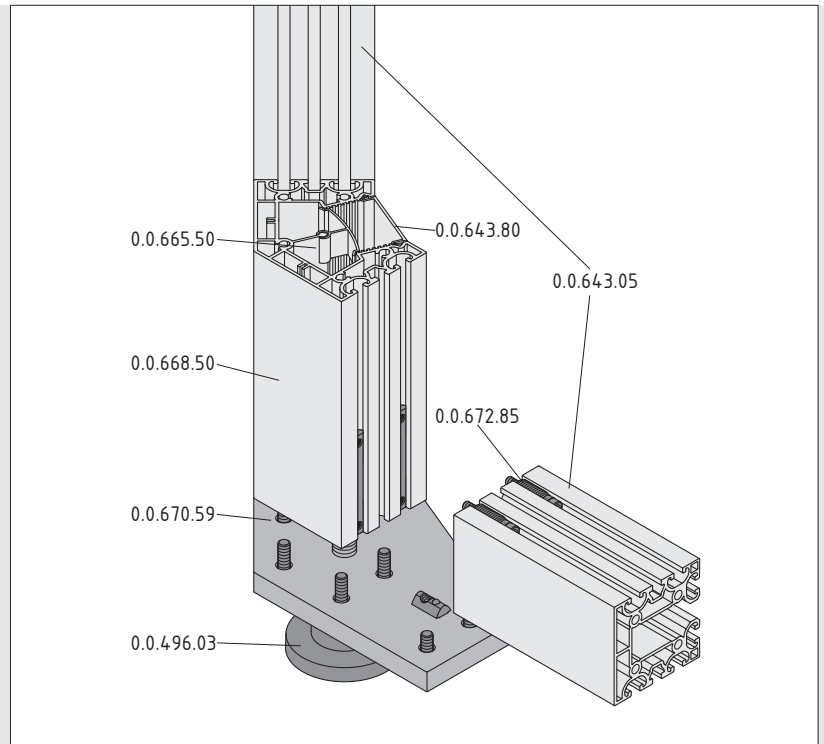


### Cap X 8 80-45° Al

Cap, Al, white aluminium similar to RAL 9006  
 4 dome-head screws M8x14, St, bright zinc-plated  
 m = 88.0 g

1 set

0.0.670.40

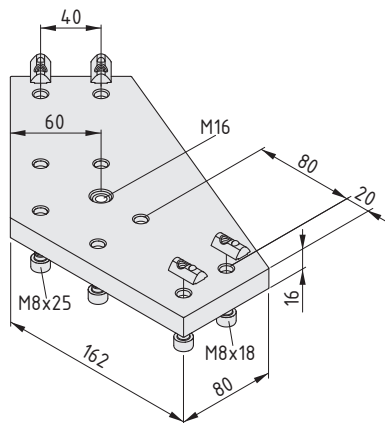


### Base Plate/Transport Plate X 8 40-45° M16

Plate, Al  
 2 Hexagon Socket Head Cap Screws DIN 912-M8x25, St, bright zinc-plated  
 2 Hexagon Socket Head Cap Screws DIN 912-M8x18, St, bright zinc-plated  
 4 washers DIN 433-8.4, St, bright zinc-plated  
 2 T-Slot Nuts V8 St M8, St, bright zinc-plated  
 m = 660.0 g

1 set

0.0.670.79



### Base Plate/Transport Plate X 8 80-45° M16

Plate, Al  
 5 Hexagon Socket Head Cap Screws DIN 912-M8x25, St, bright zinc-plated  
 4 Hexagon Socket Head Cap Screws DIN 912-M8x18, St, bright zinc-plated  
 9 washers DIN 433-8.4, St, bright zinc-plated  
 4 T-Slot Nuts V8 St M8, St, bright zinc-plated  
 m = 1.4 kg

1 set

0.0.670.59



Catching the curve.

Line XMS with rounded corners

Closed outer surfaces



## Profiles X 8 90° – XMS

Strong on the inside, nicely rounded on the outside! Compact Profiles X 8 90° – XMS combine the benefits of Line XMS with a gentle, rounded external contour that makes them perfect for building functional, easy-to-clean machine frames without corners or edges.

Two versions are available:

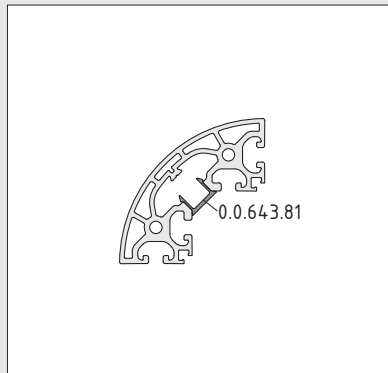
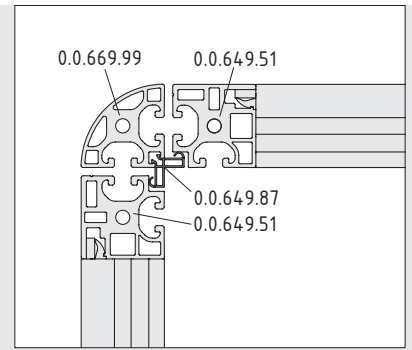
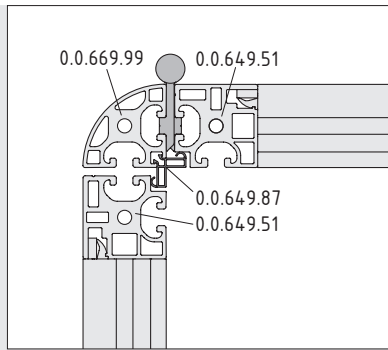
**Profile X 8 40 R80-90° K15 – XMS** features a simple cable conduit that is integrated into the profile. Door Lip Seal T1 – XMS (0.0.649.88) can be fitted into the specially designed corner grooves of the profile to act as a door rabbet and seal.

The especially compact **Profile X 8 R40-90° – XMS** without a cable conduit can be used in between two doors that close against the same Door Lip Seal T2 – XMS (0.0.649.87). In this scenario, the Door Lip Seal is fitted into the inside corner to seal both doors when they are shut.

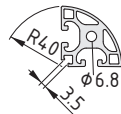
Compatible Base Plates/Transport Plates are available for connecting Adjustable Feet and Castors. They complement the rounding on the profiles and, because they overlap the sides of the profiles, can be additionally screw-fastened to the horizontal profiles of the frame.

Compatible Caps can also be used to cover over the top ends of Profiles X 8 90° – XMS.



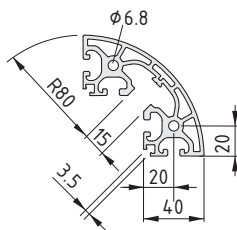


Materials used in all the following products:  
Al, anodized



**Profile X 8 R40-90° – XMS**

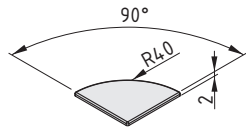
A [cm <sup>2</sup> ]	m [kg/m]	I <sub>x</sub> [cm <sup>4</sup> ]	I <sub>y</sub> [cm <sup>4</sup> ]	W <sub>x</sub> [cm <sup>3</sup> ]	W <sub>y</sub> [cm <sup>3</sup> ]	I <sub>z</sub> [cm <sup>4</sup> ]	
5.77	1.56	6.74	6.74	3.06	3.06	2.60	
natural, cut-off max. 6000 mm							0.0.669.99
natural, 1 pce., length 6000 mm							0.0.669.64



**Profile X 8 40 R80-90° K15 – XMS**

A [cm <sup>2</sup> ]	m [kg/m]	I <sub>x</sub> [cm <sup>4</sup> ]	I <sub>y</sub> [cm <sup>4</sup> ]	W <sub>x</sub> [cm <sup>3</sup> ]	W <sub>y</sub> [cm <sup>3</sup> ]	I <sub>z</sub> [cm <sup>4</sup> ]	
13.34	3.67	71.10	71.10	17.44	17.44	6.18	
natural, cut-off max. 6000 mm							0.0.670.00
natural, 1 pce., length 6000 mm							0.0.669.98



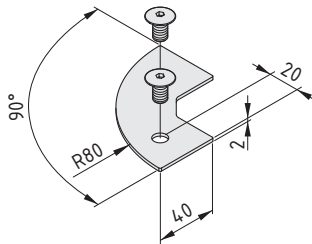


**Cap X 8 R40-90°**

PA-GB  
m = 3.0 g

grey similar to RAL 7042, 1 pce.

0.0.671.73

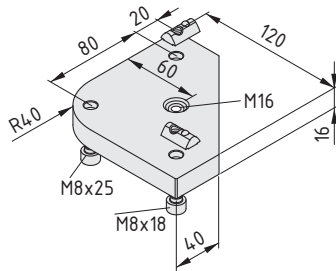


**Cap X 8 40 R80-90° Al**

Cap, Al, white aluminium similar to RAL 9006  
2 dome-head screws M8x14, St, bright zinc-plated  
m = 34.0 g

1 set

0.0.670.44

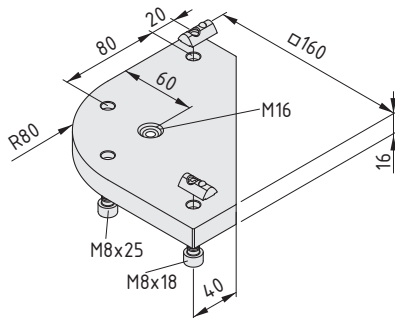


**Base Plate/Transport Plate X 8 40 R40-90° M16**

Plate, Al  
Hexagon Socket Head Cap Screw DIN 912-M8x25, St, bright zinc-plated  
2 Hexagon Socket Head Cap Screws DIN 912-M8x18, St, bright zinc-plated  
3 washers DIN 433-8.4, St, bright zinc-plated  
2 T-Slot Nuts V8 St M8, St, bright zinc-plated  
m = 520.0 g

1 set

0.0.670.47



**Base Plate/Transport Plate X 8 40 R80-90° M16**

Plate, Al  
2 Hexagon Socket Head Cap Screws DIN 912-M8x25, St, bright zinc-plated  
2 Hexagon Socket Head Cap Screws DIN 912-M8x18, St, bright zinc-plated  
4 washers DIN 433-8.4, St, bright zinc-plated  
2 T-Slot Nuts V8 St M8, St, bright zinc-plated  
m = 780.0 g

1 set

0.0.670.45



## Ergonomic production – with the item Work Bench System.

Packaging Tape Dispenser

ESD Drag Chain

Get stuck in.



Tape up parcels cleanly and safely

Retracted cutting edge

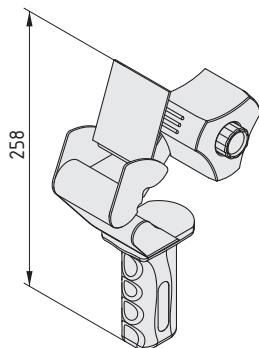
Ergonomic soft-touch grip

## Packaging Tape Dispenser

Fast, sharp and safe! The high-quality metal item Packaging Tape Dispenser is the ideal tool for applying and cutting adhesive packaging tape in one easy action. The rubber-coated roller presses the tape firmly down without damaging packaging, while the integrated cutting blade is only released when the transparent guard is actuated, thereby preventing injury hazards.

The item Packaging Tape Dispenser features an ergonomic handle that is suitable for right and left-handed use. Its soft-touch grip is pleasant to hold, making it the perfect piece of equipment for fatigue-free, ergonomic packaging operations.

As the friction on the roller brake can be manually adjusted, the tension can be set just right for any material. The dispenser and its patented twincore system is suitable for adhesive tape with a core diameter of 76 mm and 38 mm (1.5" and 3") and a width of up to 50 mm.



### Packaging Tape Dispenser

For rolls with a core diameter of 1.5" and 3"

Metal frame

Soft-touch grip

Adjustable roller brake

Retracted blade (injury prevention)

m = 600.0 g

1 pce.

0.0.668.91



## Chain reaction.

Safely dissipates static charges

Permanent floor contact

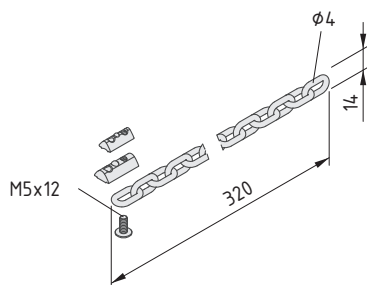
Self-cleaning



### ESD Drag Chain

The best protection under all conditions! The stainless steel ESD Drag Chain dissipates electrostatic charges on item SystemMobiles, mobile racks, etc., by maintaining permanent contact with the ESD-safe floor. The Drag Chain cleans itself while on the move, so that it can be relied on to do its job even in dusty working environments. This eliminates the additional maintenance work that has to be carried when relying solely on electrostatically dissipative castors, which require regular cleaning.

The ESD Drag Chain is compatible with the profiles in Lines 6 and 8.



#### ESD Drag Chain



Round steel chain DIN 766, with short links  
Dome-head screw ISO 7380-M5x12  
T-Slot Nut F 8 St M5  
T-Slot Nut F 6 St M5  
m = 114.0 g

1 set

0.0.671.88



## Build lean – with the Lean Production Building Kit System.

Protective Profile D30 R28-90°

Cap, Profile Tube D40/D30

Cable Guide Profile D30

Universal Holder D30

Slide Strip D30 with Side Guide H13

Roller D39.5-25

Roller D46/D30-20

Fastening Ring D40/D30-10

## Protective shield.

Prevents scratches

Absorbs impacts

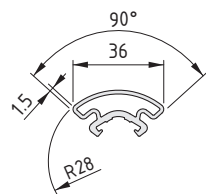
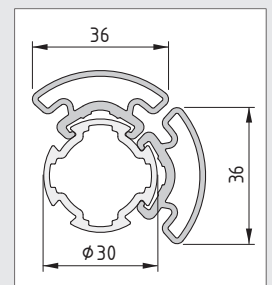
Simply clip on

### Protective Profile D30 R28-90°

It offers better protection than any foam tube! Protective Profile D30 R28-90° envelops the flank of a Profile Tube to provide permanently flexible impact protection, while leaving all other flanks and areas freely accessible. Its closed TPE surface has no open pores and is incredibly easy to clean.

To ensure optimum protection, this item innovation uses a special chamber that deforms to absorb an impact. Afterwards, the flexible plastic returns to its original shape. Unlike with foam, point loads do not result in permanent indentations. The Protective Profile is therefore ideal for use under workpieces that are particularly prone to scratching, so they can be transported without being damaged.

They are exceptionally easy to fit. Simply clip Protective Profile directly to the Profile Tube – no drilling or gluing required. The tried-and-tested undercut for clamping into the grooves easily withstands the typical bumps and scrapes of day-to-day work. If it needs to be replaced, or if the structure needs to be modified, the Protective Profile is easy to remove, leaving no trace behind, and it just clips back into place.



#### Protective Profile D30 R28-90°

TPE

m = 154.0 g/m

grey similar to RAL 7042, 1 pce., length 2000 mm

0.0.667.15

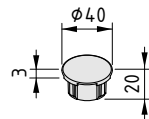
A fitting end.



### Caps, Profile Tube D40/D30

Cap, Profile Tube D40/D30 seals an open end on a Profile Tube D40/D30 (0.0.666.63). It safely covers over sharp outer edges and stops dust settling on the profile.

The Cap is available in grey and in a black, ESD-safe version.



#### Cap, Profile Tube D40/D30

PA-GF  
m = 8.3 g

grey, 1 pce.

0.0.670.93

#### Cap, Profile Tube D40/D30 ESD

PA-GF  
m = 7.8 g

black, 1 pce.

0.0.670.94



Double conduit.

Two conduits for cables

Installs in seconds

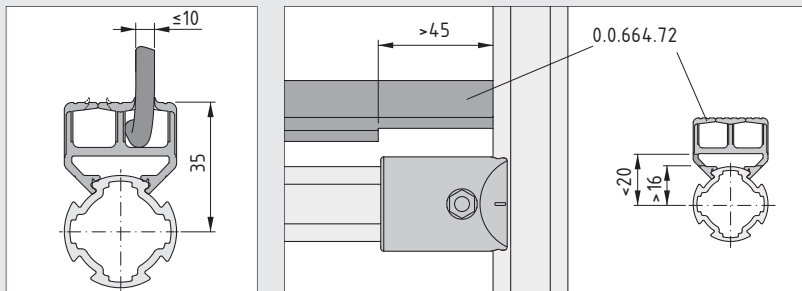
Outlets are easy to specify

### Cable Guide Profile D30

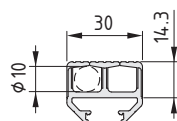
Laying cables and hoses really can be a quick and easy job! Cable Guide Profile D30 clips onto Profile Tube D30 with no need for drilling. A pair of cutting pliers such as item Multi-Purpose Pliers (0.0.265.63) are all that is required to cut the profile to size.

Cables and lines can be routed neatly through two separate conduits. Getting the cables back out couldn't be simpler – just use your fingernail to break through the top of the profile. The two flexible lid sections give way at any point to provide an opening, but still envelop the cable to keep dust and dirt out of the conduit.

Cables can even be laid around corners by pushing Cable Guide Profiles up against each other. In doing so, the clip geometry on the underside must be cut off with pliers so that the conduit can fit over the Fastener D30.



A section has to be cut away from the underside of the Cable Guide Profile so that it can fit perfectly over the contours of Fastener D30. This cut-away section must be 45 mm long and 16 to 20 mm high.



#### Cable Guide Profile D30

PVC

m = 340.0 g/m

grey similar to RAL 7042, 1 pce., length 2000 mm

0.0.664.72



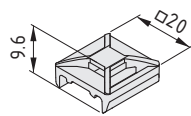
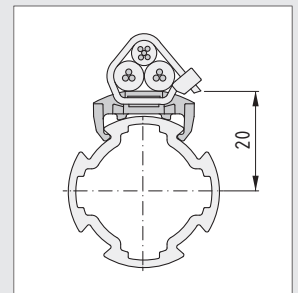
Cable connection.

For fixing cables

Simply clip into place

### Universal Holder D30

A small clip with a big effect! Universal Holder D30 is the fastest way to secure cables and lines neatly to a Profile Tube. Simply clip it into place and it holds firm – no drilling necessary. Its openings provide a secure anchor point for cable ties up to 5 mm in width.



#### Universal Holder D30

PA

m = 1.0 g

grey similar to RAL 7042, 1 pce.

0.0.671.98

Well on track.

Low-friction

Side guide for containers

Protects the profile



### Slide Strips D30 with Side Guide H13

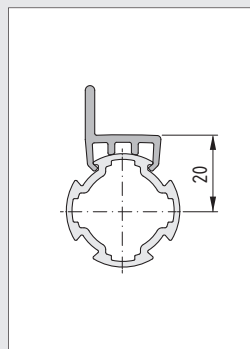
Always stay on track! Slide Strip D30 with Side Guide H13 converts any Profile Tube D30 into a conveyor line. Crates can simply be pushed along a low-friction strip made from HDPE.

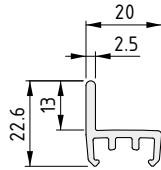
The raised edge will keep transported containers on a conveyor line and can also be used to create a frame in which panel elements can be laid.

No drilling is required when fitting Slide Strip D30 with Side Guide H13. Simply push it onto a flank of Profile Tube D30 – and it stays in place!

Slide Strip D30 with Side Guide H13 is also available in an ESD-safe version for protecting sensitive goods and personnel.

**Note:** Slide Strips D30 (0.0.634.42) and ESD (0.0.634.55) without side guides are also available .





**Slide Strip D30 with Side Guide H13**

PE-HD  
m = 97.0 g/m

grey similar to RAL 7042, 1 pce., length 2000 mm

0.0.671.30

**Slide Strip D30 with Side Guide H13 ESD**



PE-HD  
m = 97.0 g/m

black similar to RAL 9005, 1 pce., length 2000 mm

0.0.671.33

## Lead roller.

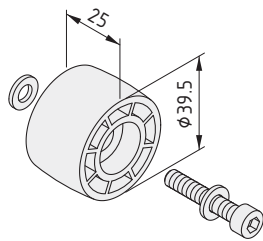
Reliable guidance for moving parts

Perfect for low cost automation

### Roller D39.5-25

It keeps everything on track! Robust Roller D39.5-25 turns on ball bearings and runs over aluminium profiles to provide reliable guidance for components. It is ideal for building Karakuri/LCA/LCIA applications.

Using the supplied accessories, Roller D39.5-25 can be fitted to the end-face of a profile (M6 thread), into the groove of a Profile 6 D30 or to anything else using an item Multiblock.



#### Roller D39.5-25

Roller D39.5-25

2 deep groove ball bearings, sealed

Hexagon Socket Head Cap Screw DIN 912-M6x33, St, bright zinc-plated

2 washers DIN 125-6.4, St, bright zinc-plated

m = 49.0 g

1 set

0.0.673.55





Best supporting roller.

Rotates around Profiles D30

Can be installed vertically and horizontally

Supports efficient material flow

## Roller D46/D30-20

### Fastening Ring D40/D30-10

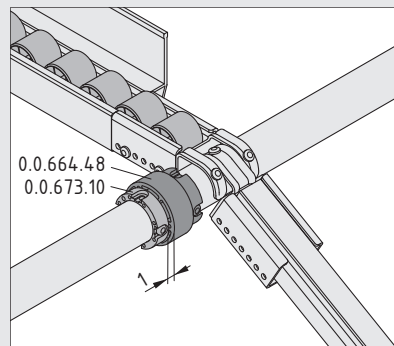
The tube roller! Roller D46/D30-20 uses a Profile D30 as an axle and thus supports all sorts of movements. Because the Roller has the same conveying height as the item roller conveyors, it can also support the transitions on conveyor lines with different gradients. This ensures a more gentle and dependable run and protects both the frame and the transported goods.

Roller D46/D30-20 rotates freely on a Tube D30 or Profile Tube D30. Several Rollers can be used alongside each other to create a broader rolling surface.

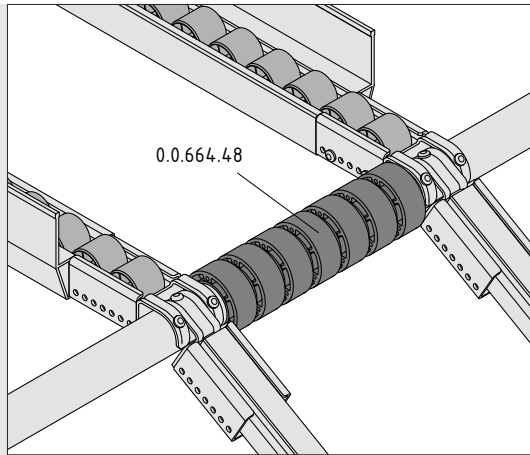
Made from impact-resistant PA, the Roller requires no maintenance or lubrication.

**Fastening Ring D40/D30-10** can be used to restrict the lateral play of Roller D46/D30-20. Two self-tapping screws ensure a secure hold. Thanks to the Fastening Ring, the Roller can also be used vertically to provide side guidance.

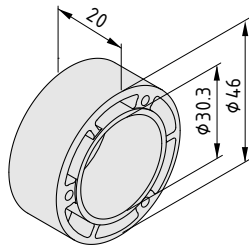
**Tip:** The Fastening Ring can also be used to stop Roller D46/D30-20 grinding against the Roller Conveyor Fastening Bracket, which would result in an uneven rolling motion.







Rollers D46/D30-20 and Fastening Rings D40/D30-10 must be pushed onto the (Profile) Tube D30 before the tube is fitted into place.



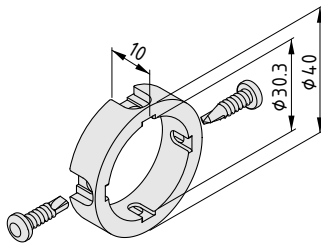
#### Roller D46/D30-20

PA

m = 12.0 g

grey similar to RAL 7042, 1 pce.

0.0.664.48



#### Fastening Ring D40/D30-10

Fastening Ring D40/D30-10, PA, grey

2 Button-Head Screws, self-tapping St, 3.9x16, TX20, bright zinc-plated

m = 6.0 g

1 set

0.0.673.10

## Alphabetical Register.

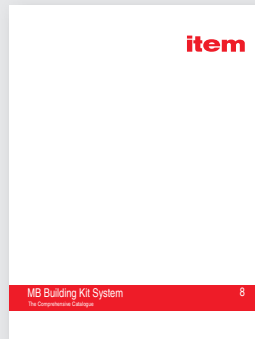
<b>A</b>			
Automatic Angle Bracket Caps 8	12		
Automatic-Fastening Sets with Double T-Slot Nuts	8		
<b>B</b>			
Base Plates/Transport Plates X 8 40 90° M16	23		
Base Plates/Transport Plates X 8 45° M16	20		
<b>C</b>			
Cable Guide Profile D30	30		
Caps X 8 45° Al	19		
Caps X 8 90°	23		
Caps, Profile Tube D40/D30	29		
Circular Spirit Level 8 D20	5		
Conduit Cap 80x40 with Cable Entry Protector	14		
<b>D</b>			
Door Seal Adapter Profile X 8 - XMS	17		
Double Door Stop Set 8 - XMS	16		
<b>E</b>			
ESD Drag Chain	26		
<b>F</b>			
Fastening Ring D40/D30-10	35		
<b>H</b>			
Hinge St	13		
		<b>J</b>	
		Jacking Castors D62	6
		<b>P</b>	
		Packaging Tape Dispenser	25
		Profiles X 8 40 90° - XMS	21
		Profiles X 8 45° - XMS	18
		Protective Profile D30 R28-90°	28
		<b>R</b>	
		Roller D39.5-25	34
		Roller D46/D30-20	35
		<b>S</b>	
		Slide Strips D30 with Side Guide H13	32
		Standard-Fastening Sets 8, one-sided	10
		<b>U</b>	
		Universal Holder D30	31

## Other item product catalogues.

### MB Building Kit System



[item24.de/en/epaper-mb](http://item24.de/en/epaper-mb)



### Line XMS



[item24.de/en/epaper-xm](http://item24.de/en/epaper-xm)



### LP Building Kit System



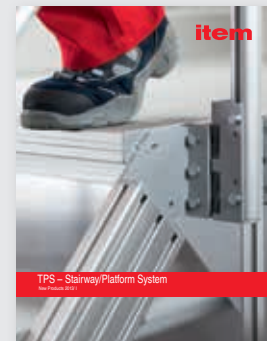
[item24.de/en/epaper-lp](http://item24.de/en/epaper-lp)



### Stairway/Platform System



[item24.de/en/epaper-tp](http://item24.de/en/epaper-tp)



### Work Bench System



[item24.de/en/epaper-wbs](http://item24.de/en/epaper-wbs)



#### Product showcase – online

Available to browse whenever you like, clearly set out and arranged by topics as an e-paper. item catalogues offer a comprehensive overview.

## Your head-start for know-how – the item online portfolio.



### Service and information around the clock – item24.com.

item is always there for you! You can find all the product information you could need on the item website – including CAD data. You will also discover the very latest news and a whole range of example applications. Complete parts lists and 3D PDFs provide the ideal basis for your own planning. What's more, you can access an entire media library, discover service offerings and get in touch with item – all at the click of a mouse.

[item24.com](http://item24.com)



### Plan fast and make the right decisions – the item online tools.

You can count on us! The item Online Product Configurators and online tools such as the Deflection Calculator for profiles will save you a lot of time. State-of-the-art planning aids for work benches and SystemMobiles make it much easier for you to configure the perfect bespoke solution. When it comes to automation, you can track down the ideal Linear Unit using the Product Finder for linear technology. And the Query Assistant is ideal for helping you plan stairways and platforms with ease.

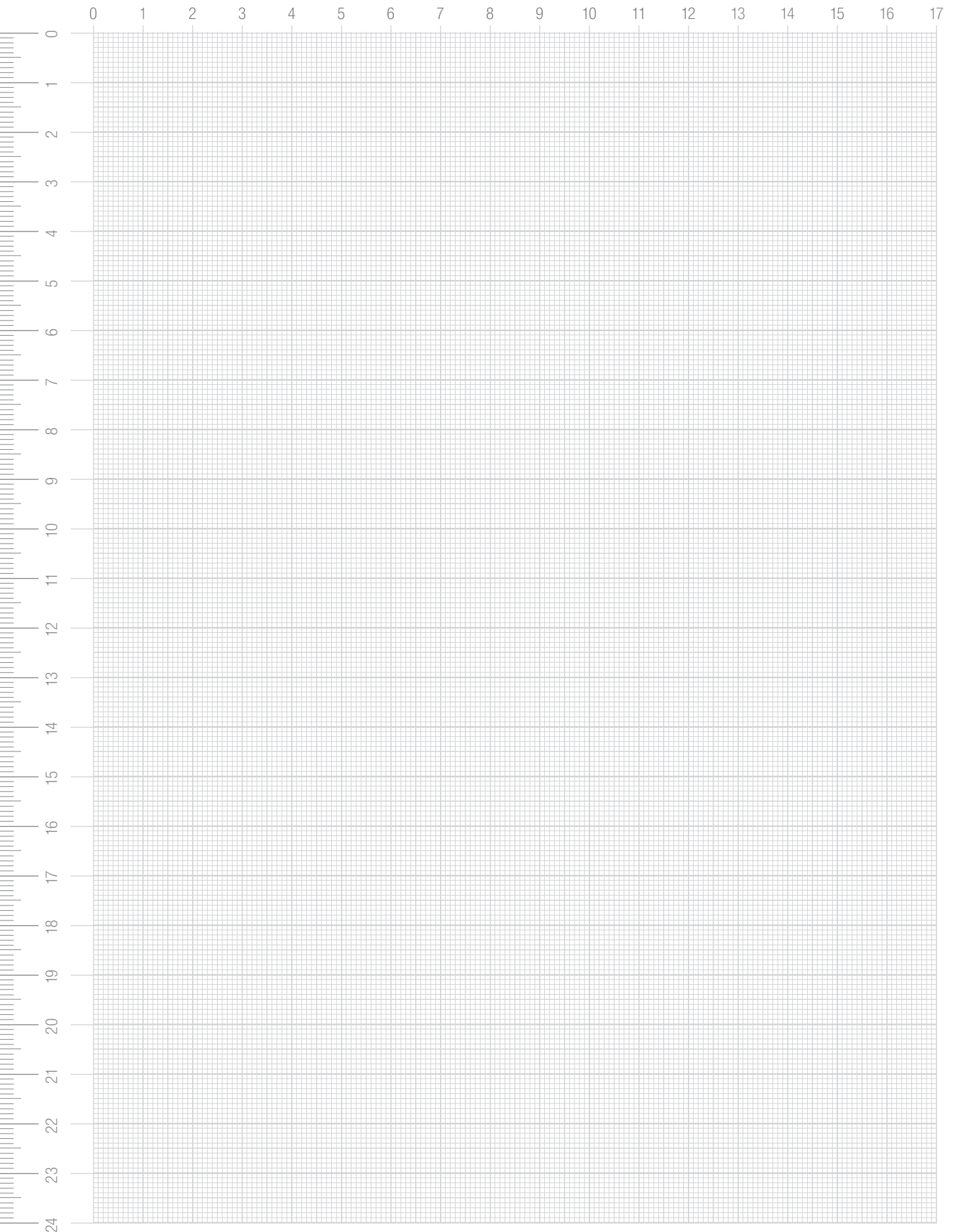
[item24.de/en/configurators](http://item24.de/en/configurators)



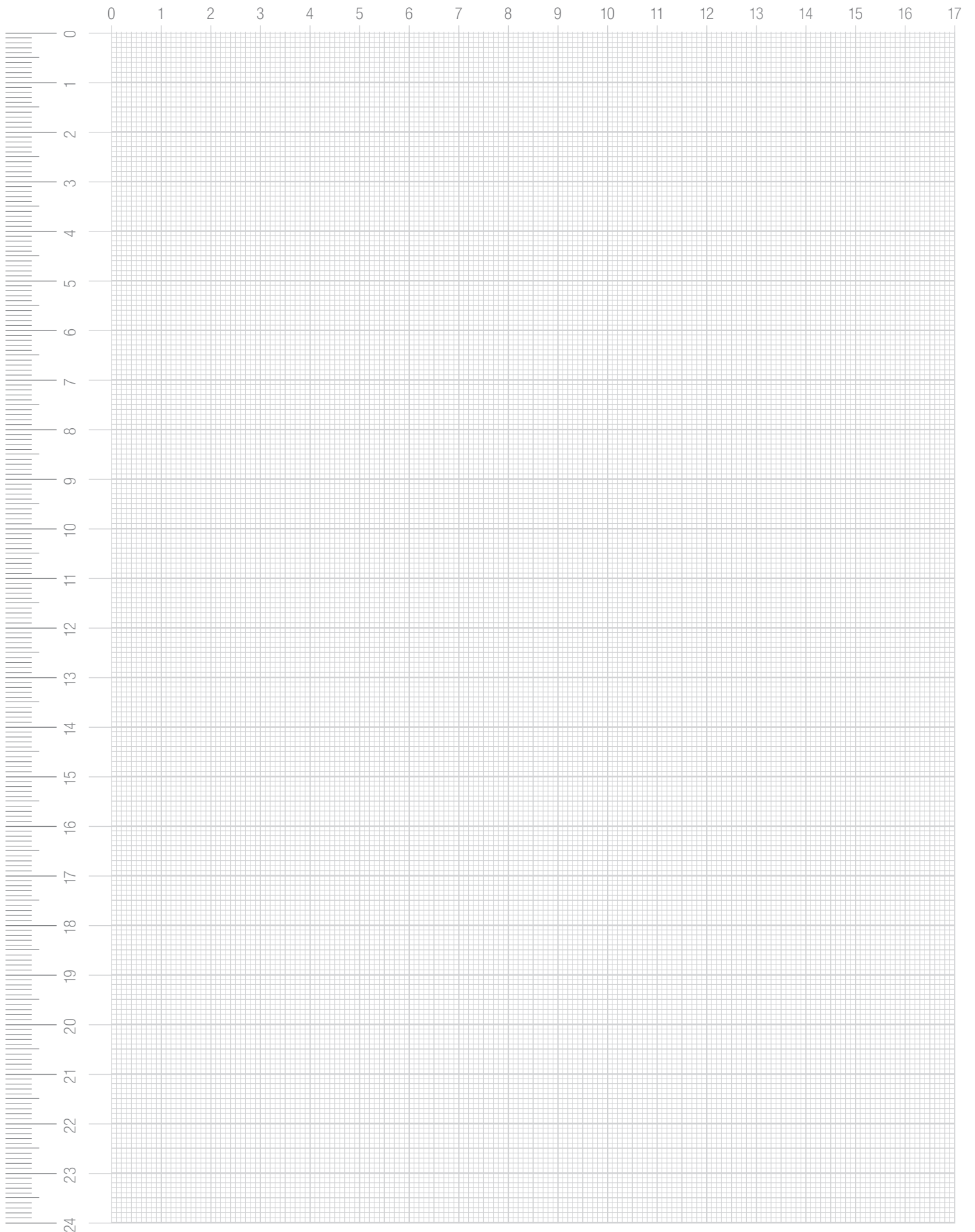
### See how it's done – with item on YouTube.

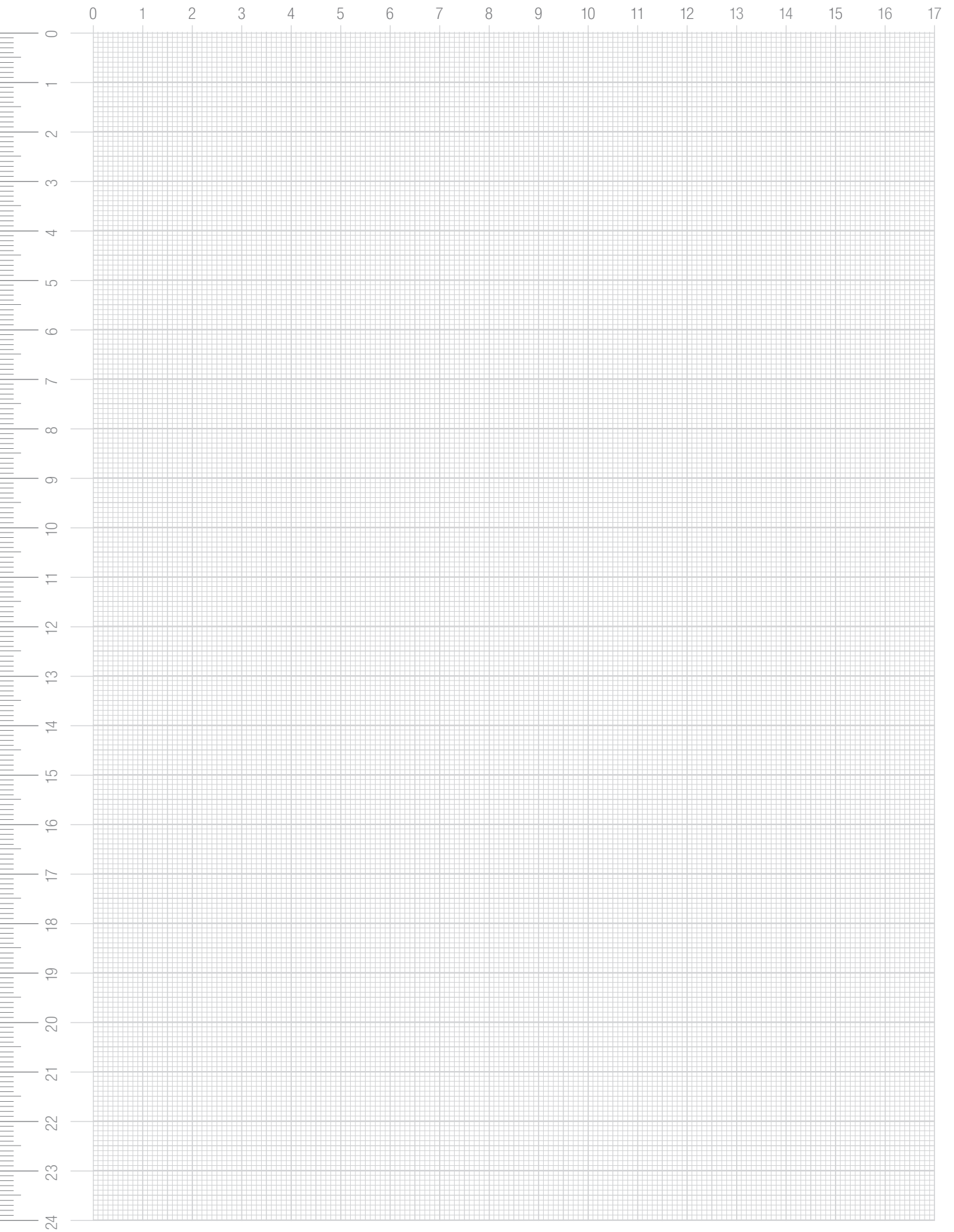
They say a picture is worth more than 1000 words. So – at 25 images per second – you can imagine just how informative the item videos are. You can find assembly tips and useful information, all packaged up in moving images, on YouTube. Specialists also answer frequently asked questions relating to issues such as ergonomics and lean production. Tune in to the item channel and make the most of our comprehensive catalogue of videos.

[youtube.com/item24com](http://youtube.com/item24com)









**Patents**

Any copying of protected products is a violation of rights and, as such, shall be liable to compensation. Data and illustrations in this catalogue do not discharge the user from the obligation to carry out his own checks to determine whether the industrial property rights of third parties are infringed.

**Product liability**

item shall be liable, within the framework of the applicable legal provisions, for the promised characteristics of the products shown in this catalogue. Any claims for liability above and beyond such – in particular relating to products created by third parties using products included in this catalogue – are expressly excluded.

**Conditions of use**

The products in the item MB Building Kit System are suitable for use in dry conditions and over the temperature range  $-20^{\circ}\text{C}$  to  $+70^{\circ}\text{C}$ , unless otherwise indicated. item must be consulted where products are to be used for applications outside these limits.

**Conformity with Directive 2011/65/EU ("RoHS")**

item has made a voluntary undertaking to refrain from using hazardous substances as defined in Directive 2011/65/EU in the products it sells, irrespective of their subsequent purpose which, in the majority of cases, does not fall under this Directive.

**Concept, design and realisation**

item Industrietechnik GmbH

**Photographs**

item Industrietechnik GmbH

Technical modifications and errors reserved.

All rights reserved. Use of texts and illustrations or reprints of any kind only permitted with our prior written consent. This applies in particular to reproduction, translation or use in electronic systems.

**item** and the item claim are a registered trademark of item Industrietechnik GmbH.

© item Industrietechnik GmbH 2015

**Always there for you.**

Always up to date: Our website at [item24.com](http://item24.com) offers further information on all the products and technologies that item offers.

Your distribution and service partner

**item**

item Industrietechnik GmbH  
Friedenstrasse 107-109  
42699 Solingen  
Germany

Phone +49 212 6580 0  
Fax +49 212 6580 310

info@item24.com  
item24.com

0.4.123.04 09/2015 © item Industrietechnik GmbH Made in Germany

Your ideas are worth it.®