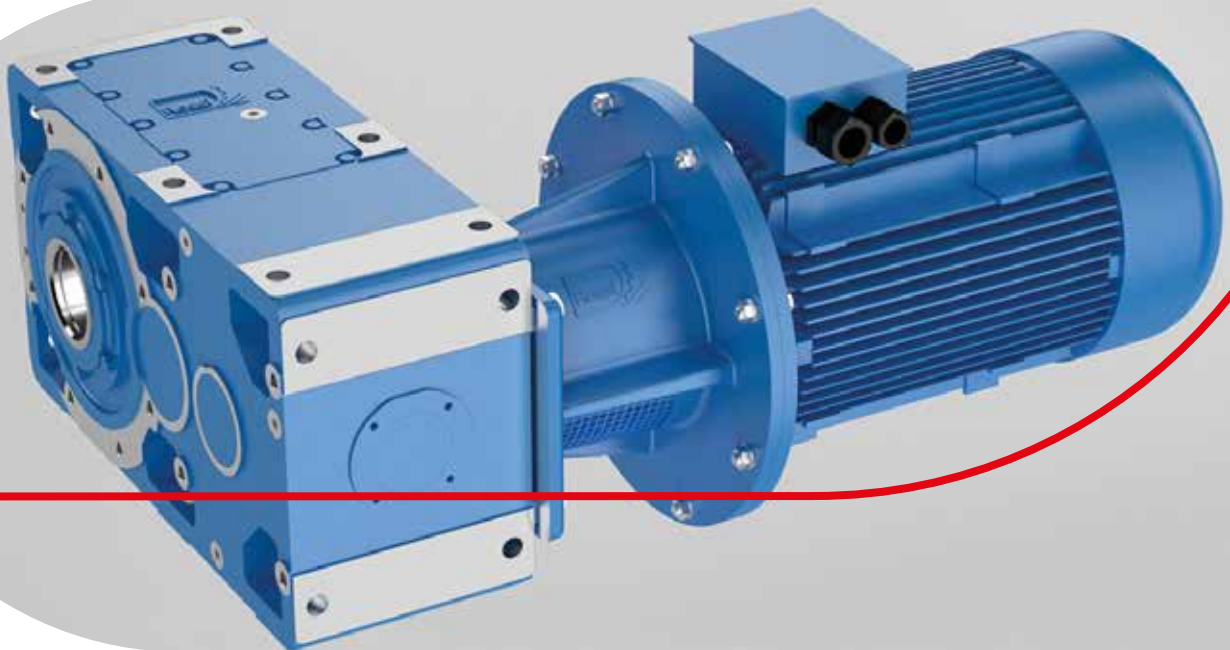


BH Series

Motor Bell Housing

Edition March 2017



Contents

General specifications	4
Design features	4
Designation	4
Designation code	4
Assembly instructions	4
Verifications	5
Selection tables	6
helical gear reducers 2I ... 4I	6
bevel helical gear reducers CI ... C3I	7
Main dimensions	8
helical gear reducers 2I	8
helical gear reducers 3I	9
helical gear reducers 4I	10
bevel helical gear reducers CI	11
bevel helical gear reducers C2I	12
bevel helical gear reducers C3I	13

- General specifications

Design features

General

Connection of electrical motors with gear reducers by means of flexible coupling.

Available connection for IEC standard electrical motors, mounting position IM B5, from size 100 to size 355.

Available connection for gear reducers, helical and bevel helical type, from size 125 to size 400.

For NEMA standard electrical motors, please contact us.

Housing

Bell housings designed to reach the best performances of strength and stiffness and provided as standard with two inspection windows and guards to allow easy maintenance.

Nodular cast iron housings suitable for a range of temperature between -20°C and +50°C .

With environment conditions exceed these values, please contact us.

Coupling

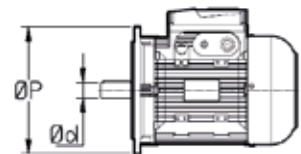
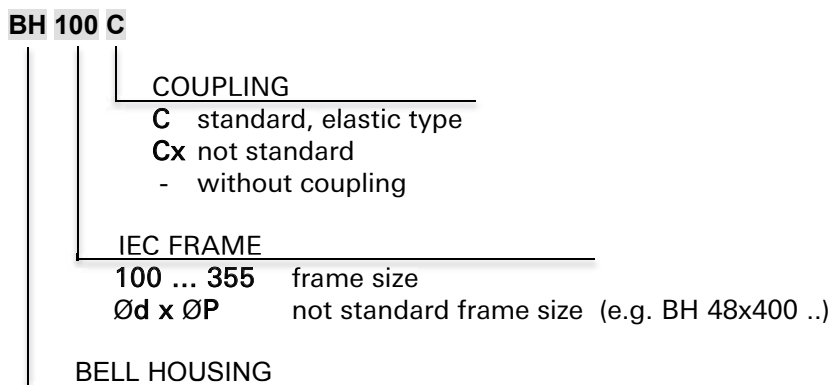
Standard solution realized with elastic coupling (steel or cast iron hubs and rubber flexible elements) suitable for maximum input values (power/speed) stated at page 5.

Design temperature: -30°C / +50°C . In case of different values, please contact us.

Possible solution with different types of couplings (geared, flexible all-steel , ...) available also in case of ATEX environment.

- Designation

Designation code



- Assembly instructions

Housing

Clean and degrease carefully all mating surfaces.

Screws class 8.8 (10.9 where indicated) must be used to fit bell housing to the gearbox.



10.9 screws must be tight at 8.8 tightening torque values. Torque wrench must be used.

Do not use lubricants altering the friction coefficient for screws, may overload them.

Always verify the tightening torque after the first hours of running.

Motor connection bolts always included.

Coupling

Standard coupling supplied by Rossi:

Assembly of "Half-coupling" motor side:

- Remove the rubber elements.

- Connect the hub to the motor shaft according to the assembly instructions supplied.

It is recommended to carry out the assembly described above heating up the hub (max 80 °C).

- Re-assemble the rubber elements.

To ensure coupling operating activity without any problems, it is recommended the use electrical motors with mating tolerances under accuracy rating according to IEC 60072-1.

For "not standard" couplings supplied by Rossi please refer to assembly instructions.

For "not standard" couplings not supplied by Rossi please refer to the specific supplier documentation; assembly feasibility has to be verified.

- Verifications

Maximum bending moment

In case of motors supplied by the customer, verify that the static bending moment M_b generated by motor and bell housing weights is lower than the value allowed M_{bmax} , stated in the following pages:

$$M_b < M_{bmax}$$

where:

$$M_b = [G \cdot (X + E) + G_1 \cdot (E/2)] / 10^6 \text{ [kN m]}$$

G [N] motor weight; numerically nearly equal to motor mass, expressed in kg, multiplied by 10

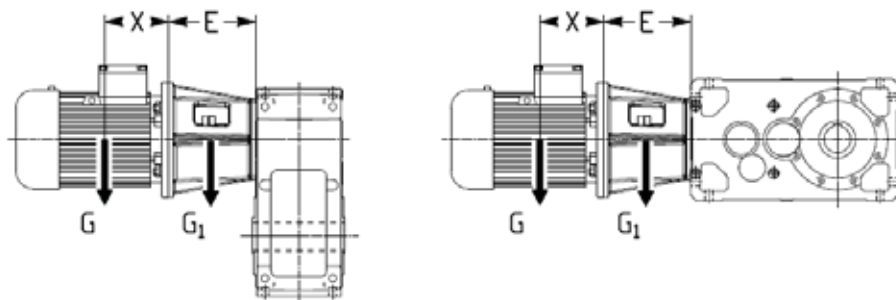
G_1 [N] bell housing weight; expressed in kg, multiplied by 10; supplied in the following pages

X [mm] distance from motor center of gravity from flange surface

E [mm] supplied in the following pages, according to gear reducer and motor size

Very long and thin motors, though with bending moments within the prescribed limits, may generate anomalous vibrations during the operation. In these cases it is necessary to foresee a proper additional motor support (see motor specific documentation).

Loads higher than permissible loads may be present in dynamical applications where the gearmotor is subjected to translations, rotations or oscillations (e.g.: shaft mounting arrangements): consult us for the study of every specific case.

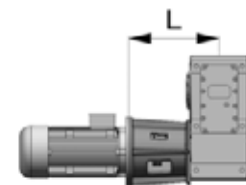


Maximum input power

In case of motors not supplied by Rossi (standard couplings supplied by Rossi), verify that the installed input power P_1 is lower than the maximum allowed values stated in the table below:

IEC	Maximum input power (kW) at n_1				
	1000 min ⁻¹	1200 min ⁻¹	1500 min ⁻¹	1800 min ⁻¹	3000 min ⁻¹
100 / 112	6,4	7,7	9,6	11,5	19,2
132	14,0	16,8	21,0	25,2	42,0
160 / 180	14,0	16,8	21,0	25,2	42,0
200	20,6	24,7	30,8	37,0	61,7
225	44,0	52,8	66,0	79,2	131,9
250/280	82,9	99,5	124,4	149,3	248,8
315	167,5	201,0	251,3	301,6	502,6
355	293,2	351,8	439,8	527,7	879,6

IEC - Motor bell housing for IEC standard motors sizes 100 ... 355 (helical gear reducers)



2I

IEC - B5	Gearbox size and executions											Code
	140 UP2A	160 UP2A	180 UP2A	200 UP2A	225 UP2A	250 UP2A	280 UP2A	320 UP2A	321 UP2A	360 UP2A	400 UP1A	
100/112	269	324	324	-	-	-	-	-	-	-	-	BH100C
132	269	324	324	401	401	-	-	-	-	-	-	BH132C
160	300	355	355	401	401	483	483	-	-	-	-	BH160C
180	300	355	355	401	401	483	483	-	-	-	-	BH180C
200	300	355	355	432	432	483	483	558	558	558	-	BH200C
225	-	385	385	432	432	483	483	558	558	558	-	BH225C
250	-	385	385	432	432	533	533	589	589	589	684	BH250C
280	-	385	385	432	432	533	533	589	589	589	684	BH280C
315	-	-	-	-	-	533	533	589	589	589	756	BH315C
355	-	-	-	-	-	-	-	-	-	-	756	BH355C

3I

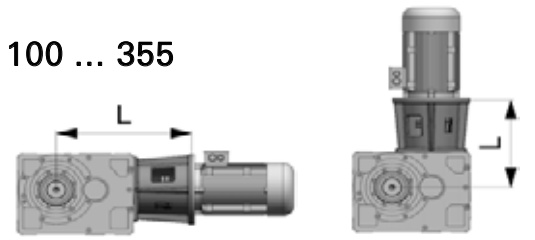
IEC - B5	Gearbox size and executions											Code
	140 UP2A	160 UP2A	180 UP2A	200 UP2A	225 UP2A	250 UP2A	280 UP2A	320 UP2A	321 UP2A	360 UP2A	400 UP1A	
100/112	269	324	324	-	-	-	-	-	-	-	-	BH100C
132	269	324	324	401	401	-	-	-	-	-	-	BH132C
160	300	355	355	401	401	483	483	-	-	-	-	BH160C
180	300	355	355	401	401	483	483	-	-	-	-	BH180C
200	300	355	355	432	432	483	483	558	558	558	-	BH200C
225	-	385	385	432	432	483	483	558	558	558	-	BH225C
250	-	385	385	432	432	533	533	589	589	589	638	BH250C
280	-	385	385	432	432	533	533	589	589	589	638	BH280C
315	-	-	-	-	-	533	533	589	589	589	710	BH315C
355	-	-	-	-	-	-	-	-	-	-	710	BH355C

4I

IEC - B5	Gearbox size and executions											Code
	140 UP2A	160 UP2A	180 UP2A	200 UP2A	225 UP2A	250 UP2A	280 UP2A	320 UP2A	321 UP2A	360 UP2A	400 UP1A	
225											638	BH225C
250											638	BH250C
280											638	BH280C

L (dimension in mm shown in the table) - For bell housing only, ordering code e.g. **BH100**

IEC - Motor bell housing for IEC standard motors sizes 100 ... 355 (bevel helical gear reducers)



CI

IEC - B5	Gearbox size and executions																				Code		
	125		140		160		180		200		225		250		280		320-321		360			400	
	..A	..V	..A	..V	..A	..V	..A	..V	..A	..V	..A	..V	..A	..V	..A	..V	..A	..V	..A	..V	..A	..V	
100/112	504	364	504	364	598	438	618	438	-	-	-	-	-	-	-	-	-	-	-	-	-	-	BH100C
132	504	364	504	364	598	438	618	438	727	527	752	527	-	-	-	-	-	-	-	-	-	-	BH132C
160	535	395	535	395	659	499	679	499	727	527	752	527	-	-	-	-	-	-	-	-	-	-	BH160C
180	535	395	535	395	659	499	679	499	727	527	752	527	-	-	-	-	-	-	-	-	-	-	BH180C
200	535	395	535	395	659	499	679	499	758	558	783	558	913	663	943	663	1113	793	1153	793	-	-	BH200C
225	-	-	-	-	659	499	679	499	758	558	783	558	913	663	943	663	1113	793	1153	793	-	-	BH225C
250	-	-	-	-	-	-	-	-	758	558	783	558	944	694	974	694	1144	824	1184	824	-	-	BH250C
280	-	-	-	-	-	-	-	-	758	558	783	558	944	694	974	694	1144	824	1184	824	-	-	BH280C
315	-	-	-	-	-	-	-	-	-	-	-	-	944	694	974	694	1144	824	1184	824	-	-	BH315C
355	-	-	-	-	-	-	-	-	-	-	-	-	-	-	-	-	-	-	-	-	-	-	BH355C

C2I

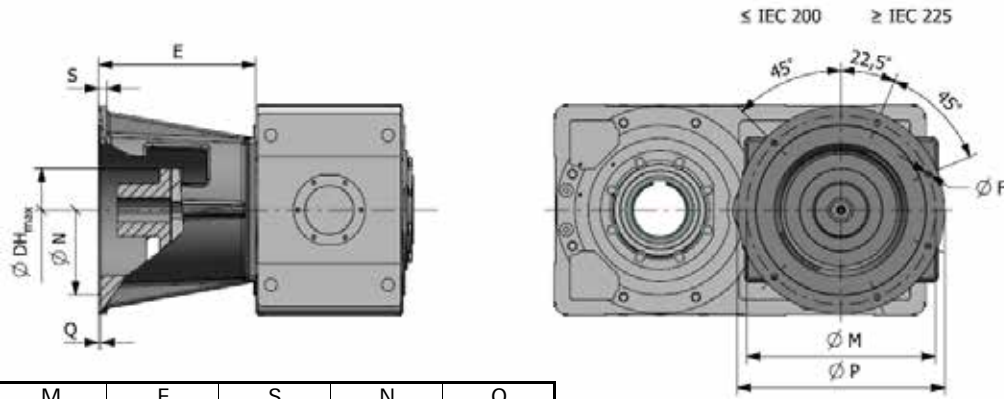
IEC - B5	Gearbox size and executions																				Code		
	140		160		180		200		225		250		280		320		321		360			400	
	..A	..V	..A	..V	..A	..V	..A	..V	..A	..V	..A	..V	..A	..V	..A	..V	..A	..V	..A	..V	..A	..V	
100/112	579	315	693	376	713	376	-	-	-	-	-	-	-	-	-	-	-	-	-	-	-	-	BH100C
132	579	315	693	376	713	376	842	468	867	468	-	-	-	-	-	-	-	-	-	-	-	-	BH132C
160	610	347	754	407	774	407	842	468	867	468	1058	568	1088	568	-	-	-	-	-	-	-	-	BH160C
180	610	347	754	407	774	407	842	468	867	468	1058	568	1088	568	-	-	-	-	-	-	-	-	BH180C
200	610	347	754	407	774	407	873	499	898	499	1058	568	1088	568	1288	672	1288	672	1328	672	-	-	BH200C
225	-	-	-	-	-	-	873	499	898	499	1058	568	1088	568	1288	672	1288	672	1328	672	-	-	BH225C
250	-	-	-	-	-	-	873	499	898	499	1089	618	1119	618	1319	703	1319	703	1359	703	1524	812	BH250C
280	-	-	-	-	-	-	873	499	898	499	1089	618	1119	618	1319	703	1319	703	1359	703	1524	812	BH280C
315	-	-	-	-	-	-	-	-	-	-	1089	618	1119	618	1319	703	1319	703	1359	703	1524	884	BH315C
355	-	-	-	-	-	-	-	-	-	-	-	-	-	-	-	-	-	-	-	-	-	884	BH355C

C3I

IEC - B5	Gearbox size and executions																				Code		
	140		160		180		200		225		250		280		320		321		360			400	
	..A	..V	..A	..V	..A	..V	..A	..V	..A	..V	..A	..V	..A	..V	..A	..V	..A	..V	..A	..V	..A	..V	
225	-	-	-	-	-	-	-	-	-	-	-	-	-	-	-	-	-	-	-	-	1435	-	BH225C
250	-	-	-	-	-	-	-	-	-	-	-	-	-	-	-	-	-	-	-	-	1435	-	BH250C
280	-	-	-	-	-	-	-	-	-	-	-	-	-	-	-	-	-	-	-	-	1435	-	BH280C

L (dimension in mm shown in the table) - For bell housing only, ordering code e.g. BH100

IEC - Motor bell housing main dimensions (helical gear reducers)



IEC - B5	P	M	F	S	N	Q
100/112	250	215	13	14	180	5
132	300	265	13	14	230	5
160	350	300	17	16	250	6
180	350	300	17	16	250	6
200	400	350	17	18	300	6
225	450	400	17	18	350	6
250	550	500	17	22	450	6
280	550	500	17	22	450	6
315	660	600	21	25	550	7
355	800	740	21	25	680	7

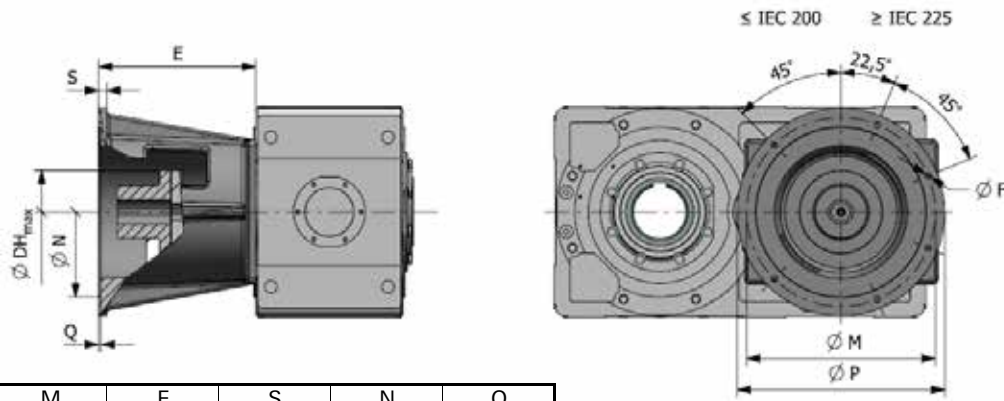
dimensions in (mm)

21

Code	E (mm) F _{max} (mm) M _{bmax} (kNm)	Gearbox size and executions										
		140	160	180	200	225	250	280	320	321	360	400
BH100C		UP2A	UP2A	UP2A	UP2A	UP2A	UP2A	UP2A	UP2A	UP2A	UP2A	UP1A
	E	165	196	196	-	-	-	-	-	-	-	-
	DH _{max}	130	130	130	-	-	-	-	-	-	-	-
	M _{bmax}	1,6*	4,5*	4,5*	-	-	-	-	-	-	-	-
mass (kg)	17	21	21	-	-	-	-	-	-	-	-	
BH132C	E	165	196	196	243	243	-	-	-	-	-	-
	DH _{max}	130	130	130	130	130	-	-	-	-	-	-
	M _{bmax}	1,6*	4,5*	4,5*	4,5	4,5	-	-	-	-	-	-
	mass (kg)	18	23	23	36	36	-	-	-	-	-	-
BH160C	E	197	227	227	243	243	288	288	-	-	-	-
	DH _{max}	150	150	150	130	130	180	180	-	-	-	-
	M _{bmax}	1,6*	4,5*	4,5*	4,5	4,5	16*	16*	-	-	-	-
	mass (kg)	25	29	29	38	38	54	54	-	-	-	-
BH180C	E	197	227	227	243	243	288	288	-	-	-	-
	DH _{max}	150	150	150	130	130	180	180	-	-	-	-
	M _{bmax}	1,6*	4,5*	4,5*	4,5	4,5	16*	16*	-	-	-	-
	mass (kg)	25	29	29	38	38	54	54	-	-	-	-
BH200C	E	197	227	227	274	274	288	288	317	317	317	-
	DH _{max}	150	150	150	220	220	180	180	180	180	180	-
	M _{bmax}	1,6*	4,5*	4,5*	4,5	4,5	16*	16*	15	15	15	-
	mass (kg)	28	31	31	51	51	56	56	79	79	79	-
BH225C	E	-	257	257	274	274	288	288	317	317	317	-
	DH _{max}	-	220	220	220	220	180	180	180	180	180	-
	M _{bmax}	-	4,5*	4,5*	4,5	4,5	16*	16*	15	15	15	-
	mass (kg)	-	45	45	54	54	59	59	82	82	82	-
BH250C	E	-	257	257	274	274	338	338	348	348	348	362
	DH _{max}	-	220	220	220	220	290	290	290	290	290	220
	M _{bmax}	-	4,5*	4,5*	4,5	4,5	16*	16*	15	15	15	30
	mass (kg)	-	52	52	62	62	97	97	129	129	129	127
BH280C	E	-	257	257	274	274	338	338	348	348	348	362
	DH _{max}	-	220	220	220	220	290	290	290	290	290	220
	M _{bmax}	-	4,5*	4,5*	4,5	4,5	16*	16*	15	15	15	30
	mass (kg)	-	52	52	62	62	97	97	129	129	129	127
BH315C	E	-	-	-	-	-	338	338	348	348	348	434
	DH _{max}	-	-	-	-	-	290	290	290	290	290	330
	M _{bmax}	-	-	-	-	-	16*	16*	15	15	15	30
	mass (kg)	-	-	-	-	-	106	106	140	140	140	209
BH355C	E	-	-	-	-	-	-	-	-	-	-	434
	DH _{max}	-	-	-	-	-	-	-	-	-	-	330
	M _{bmax}	-	-	-	-	-	-	-	-	-	-	30
	mass (kg)	-	-	-	-	-	-	-	-	-	-	232

* with fixing bolts class 10.9 tightened at 8.8 torque values

IEC - Motor bell housing main dimensions (helical gear reducers)



IEC - B5	P	M	F	S	N	Q
100/112	250	215	13	14	180	5
132	300	265	13	14	230	5
160	350	300	17	16	250	6
180	350	300	17	16	250	6
200	400	350	17	18	300	6
225	450	400	17	18	350	6
250	550	500	17	22	450	6
280	550	500	17	22	450	6
315	660	600	21	25	550	7
355	800	740	21	25	680	7

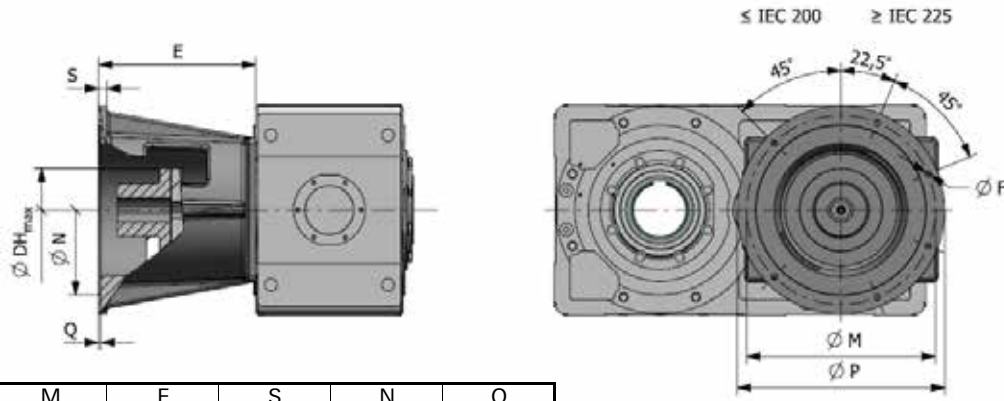
dimensions in (mm)

3I

Code	E (mm) F _{max} (mm) M _{bmax} (kNm)	Gearbox size and executions										
		140	160	180	200	225	250	280	320	321	360	400
BH100C		UP2A	UP2A	UP2A	UP2A	UP2A	UP2A	UP2A	UP2A	UP2A	UP2A	UP1A
	E	165	196	196	-	-	-	-	-	-	-	-
	DH _{max}	130	130	130	-	-	-	-	-	-	-	-
	M _{bmax}	1,6*	4,5*	4,5*	-	-	-	-	-	-	-	-
	mass (kg)	17	21	21	-	-	-	-	-	-	-	-
BH132C	E	165	196	196	243	243	-	-	-	-	-	-
	DH _{max}	130	130	130	130	130	-	-	-	-	-	-
	M _{bmax}	1,6*	4,5*	4,5*	4,5	4,5	-	-	-	-	-	-
	mass (kg)	18	23	23	36	36	-	-	-	-	-	-
BH160C	E	197	227	227	243	243	288	288	-	-	-	-
	DH _{max}	150	150	150	130	130	180	180	-	-	-	-
	M _{bmax}	1,6*	4,5*	4,5*	4,5	4,5	16*	16*	-	-	-	-
	mass (kg)	25	29	29	38	38	54	54	-	-	-	-
BH180C	E	197	227	227	243	243	288	288	-	-	-	-
	DH _{max}	150	150	150	130	130	180	180	-	-	-	-
	M _{bmax}	1,6*	4,5*	4,5*	4,5	4,5	16*	16*	-	-	-	-
	mass (kg)	25	29	29	38	38	54	54	-	-	-	-
BH200C	E	197	227	227	274	274	288	288	317	317	317	-
	DH _{max}	150	150	150	220	220	180	180	180	180	180	-
	M _{bmax}	1,6*	4,5*	4,5*	4,5	4,5	16*	16*	15	15	15	-
	mass (kg)	28	31	31	51	51	56	56	79	79	79	-
BH225C	E	-	257	257	274	274	288	288	317	317	317	-
	DH _{max}	-	220	220	220	220	180	180	180	180	180	-
	M _{bmax}	-	4,5*	4,5*	4,5	4,5	16*	16*	15	15	15	-
	mass (kg)	-	45	45	54	54	59	59	82	82	82	-
BH250C	E	-	257	257	274	274	338	338	348	348	348	316
	DH _{max}	-	220	220	220	220	290	290	290	290	290	220
	M _{bmax}	-	4,5*	4,5*	4,5	4,5	16*	16*	15	15	15	30
	mass (kg)	-	52	52	62	62	97	97	129	129	129	98
BH280C	E	-	257	257	274	274	338	338	348	348	348	316
	DH _{max}	-	220	220	220	220	290	290	290	290	290	220
	M _{bmax}	-	4,5*	4,5*	4,5	4,5	16*	16*	15	15	15	30
	mass (kg)	-	52	52	62	62	97	97	129	129	129	98
BH315C	E	-	-	-	-	-	338	338	348	348	348	388
	DH _{max}	-	-	-	-	-	290	290	290	290	290	330
	M _{bmax}	-	-	-	-	-	16*	16*	15	15	15	30
	mass (kg)	-	-	-	-	-	106	106	140	140	140	190
BH355C	E	-	-	-	-	-	-	-	-	-	-	388
	DH _{max}	-	-	-	-	-	-	-	-	-	-	330
	M _{bmax}	-	-	-	-	-	-	-	-	-	-	30
	mass (kg)	-	-	-	-	-	-	-	-	-	-	213

* with fixing bolts class 10.9 tightened at 8.8 torque values

IEC - Motor bell housing main dimensions (helical gear reducers)



IEC - B5	P	M	F	S	N	Q
100/112	250	215	13	14	180	5
132	300	265	13	14	230	5
160	350	300	17	16	250	6
180	350	300	17	16	250	6
200	400	350	17	18	300	6
225	450	400	17	18	350	6
250	550	500	17	22	450	6
280	550	500	17	22	450	6
315	660	600	21	25	550	7
355	800	740	21	25	680	7

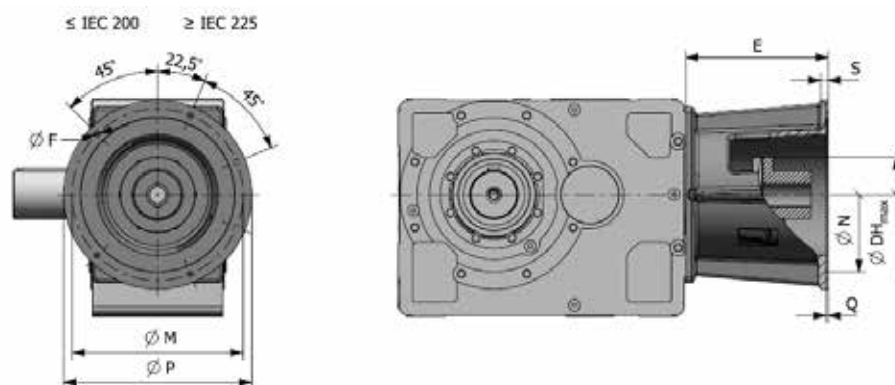
dimensions in (mm)

4I

Code	E (mm) F _{max} (mm) M _{bmax} (kNm)	Gearbox size and executions										
		140 UP2A	160 UP2A	180 UP2A	200 UP2A	225 UP2A	250 UP2A	280 UP2A	320 UP2A	321 UP2A	360 UP2A	400 UP1A
BH100C	E	-	-	-	-	-	-	-	-	-	-	-
	DH _{max}	-	-	-	-	-	-	-	-	-	-	-
	M _{bmax}	-	-	-	-	-	-	-	-	-	-	-
	mass (kg)	-	-	-	-	-	-	-	-	-	-	-
BH132C	E	-	-	-	-	-	-	-	-	-	-	-
	DH _{max}	-	-	-	-	-	-	-	-	-	-	-
	M _{bmax}	-	-	-	-	-	-	-	-	-	-	-
	mass (kg)	-	-	-	-	-	-	-	-	-	-	-
BH160C	E	-	-	-	-	-	-	-	-	-	-	-
	DH _{max}	-	-	-	-	-	-	-	-	-	-	-
	M _{bmax}	-	-	-	-	-	-	-	-	-	-	-
	mass (kg)	-	-	-	-	-	-	-	-	-	-	-
BH180C	E	-	-	-	-	-	-	-	-	-	-	-
	DH _{max}	-	-	-	-	-	-	-	-	-	-	-
	M _{bmax}	-	-	-	-	-	-	-	-	-	-	-
	mass (kg)	-	-	-	-	-	-	-	-	-	-	-
BH200C	E	-	-	-	-	-	-	-	-	-	-	-
	DH _{max}	-	-	-	-	-	-	-	-	-	-	-
	M _{bmax}	-	-	-	-	-	-	-	-	-	-	-
	mass (kg)	-	-	-	-	-	-	-	-	-	-	-
BH225C	E	-	-	-	-	-	-	-	-	-	-	316
	DH _{max}	-	-	-	-	-	-	-	-	-	-	220
	M _{bmax}	-	-	-	-	-	-	-	-	-	-	30
	mass (kg)	-	-	-	-	-	-	-	-	-	-	90
BH250C	E	-	-	-	-	-	-	-	-	-	-	316
	DH _{max}	-	-	-	-	-	-	-	-	-	-	220
	M _{bmax}	-	-	-	-	-	-	-	-	-	-	30
	mass (kg)	-	-	-	-	-	-	-	-	-	-	98
BH280C	E	-	-	-	-	-	-	-	-	-	-	316
	DH _{max}	-	-	-	-	-	-	-	-	-	-	220
	M _{bmax}	-	-	-	-	-	-	-	-	-	-	30
	mass (kg)	-	-	-	-	-	-	-	-	-	-	98
BH315C	E	-	-	-	-	-	-	-	-	-	-	-
	DH _{max}	-	-	-	-	-	-	-	-	-	-	-
	M _{bmax}	-	-	-	-	-	-	-	-	-	-	-
	mass (kg)	-	-	-	-	-	-	-	-	-	-	-
BH355C	E	-	-	-	-	-	-	-	-	-	-	-
	DH _{max}	-	-	-	-	-	-	-	-	-	-	-
	M _{bmax}	-	-	-	-	-	-	-	-	-	-	-
	mass (kg)	-	-	-	-	-	-	-	-	-	-	-

* with fixing bolts class 10.9 tightened at 8.8 torque values

IEC - Motor bell housing main dimensions (bevel helical gear reducers)



IEC - B5	P	M	F	S	N	Q
100/112	250	215	13	14	180	5
132	300	265	13	14	230	5
160	350	300	17	16	250	6
180	350	300	17	16	250	6
200	400	350	17	18	300	6
225	450	400	17	18	350	6
250	550	500	17	22	450	6
280	550	500	17	22	450	6
315	660	600	21	25	550	7
355	800	740	21	25	680	7

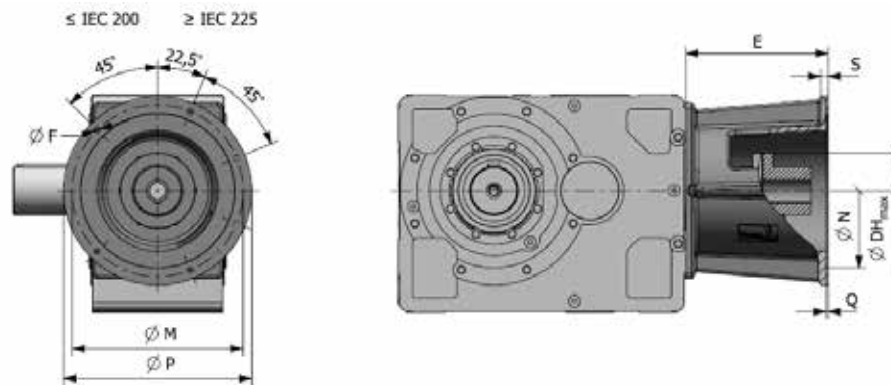
dimensions in (mm)

CI

Code	E (mm) F _{max} (mm) M _{bmax} (kNm)	Gearbox size and executions																					
		125		140		160		180		200		225		250		280		320-321		360		400	
		..A	..V	..A	..V	..A	..V	..A	..V	..A	..V	..A	..V	..A	..V	..A	..V	..A	..V	..A	..V	..A	..V
BH100C	E	214	214	258	258	-	-	-	-	-	-	-	-	-	-	-	-	-	-	-	-	-	-
	DH _{max}	130	130	130	130	-	-	-	-	-	-	-	-	-	-	-	-	-	-	-	-	-	-
	M _{bmax}	1,6*	1,6*	2,1	2,1	-	-	-	-	-	-	-	-	-	-	-	-	-	-	-	-	-	-
	mass (kg)	17	17	24	24	-	-	-	-	-	-	-	-	-	-	-	-	-	-	-	-	-	-
BH132C	E	214	214	258	258	302	302	-	-	-	-	-	-	-	-	-	-	-	-	-	-	-	-
	DH _{max}	130	130	130	130	130	130	-	-	-	-	-	-	-	-	-	-	-	-	-	-	-	-
	M _{bmax}	1,6*	1,6*	2,1	2,1	4,5	4,5	-	-	-	-	-	-	-	-	-	-	-	-	-	-	-	-
	mass (kg)	19	19	25	25	44	44	-	-	-	-	-	-	-	-	-	-	-	-	-	-	-	-
BH160C	E	245	245	319	319	302	302	-	-	-	-	-	-	-	-	-	-	-	-	-	-	-	-
	DH _{max}	150	150	180	180	130	130	-	-	-	-	-	-	-	-	-	-	-	-	-	-	-	-
	M _{bmax}	1,6*	1,6*	2,1	2,1	4,5	4,5	-	-	-	-	-	-	-	-	-	-	-	-	-	-	-	-
	mass (kg)	28	28	42	42	46	46	-	-	-	-	-	-	-	-	-	-	-	-	-	-	-	-
BH180C	E	245	245	319	319	302	302	-	-	-	-	-	-	-	-	-	-	-	-	-	-	-	-
	DH _{max}	150	150	180	180	130	130	-	-	-	-	-	-	-	-	-	-	-	-	-	-	-	-
	M _{bmax}	1,6*	1,6*	2,1	2,1	4,5	4,5	-	-	-	-	-	-	-	-	-	-	-	-	-	-	-	-
	mass (kg)	28	28	42	42	46	46	-	-	-	-	-	-	-	-	-	-	-	-	-	-	-	-
BH200C	E	245	245	319	319	333	333	383	383	438	438	-	-	-	-	-	-	-	-	-	-	-	-
	DH _{max}	150	150	180	180	220	220	180	180	180	180	-	-	-	-	-	-	-	-	-	-	-	-
	M _{bmax}	1,6*	1,6*	2,1	2,1	4,5	4,5	12,5	12,5	23	23	-	-	-	-	-	-	-	-	-	-	-	-
	mass (kg)	30	30	44	44	62	62	67	67	94	94	-	-	-	-	-	-	-	-	-	-	-	-
BH225C	E	-	-	319	319	333	333	383	383	438	438	-	-	-	-	-	-	-	-	-	-	-	-
	DH _{max}	-	-	180	180	220	220	180	180	180	180	-	-	-	-	-	-	-	-	-	-	-	-
	M _{bmax}	-	-	2,1	2,1	4,5	4,5	12,5	12,5	23	23	-	-	-	-	-	-	-	-	-	-	-	-
	mass (kg)	-	-	47	47	65	65	70	70	96	96	-	-	-	-	-	-	-	-	-	-	-	-
BH250C	E	-	-	-	-	333	333	414	414	469	469	-	-	-	-	-	-	-	-	-	-	-	-
	DH _{max}	-	-	-	-	220	220	290	290	290	290	-	-	-	-	-	-	-	-	-	-	-	-
	M _{bmax}	-	-	-	-	4,5	4,5	12,5	12,5	23	23	-	-	-	-	-	-	-	-	-	-	-	-
	mass (kg)	-	-	-	-	72	72	118	118	157	157	-	-	-	-	-	-	-	-	-	-	-	-
BH280C	E	-	-	-	-	333	333	414	414	469	469	-	-	-	-	-	-	-	-	-	-	-	-
	DH _{max}	-	-	-	-	220	220	290	290	290	290	-	-	-	-	-	-	-	-	-	-	-	-
	M _{bmax}	-	-	-	-	4,5	4,5	12,5	12,5	23	23	-	-	-	-	-	-	-	-	-	-	-	-
	mass (kg)	-	-	-	-	72	72	118	118	157	157	-	-	-	-	-	-	-	-	-	-	-	-
BH315C	E	-	-	-	-	-	-	414	414	469	469	-	-	-	-	-	-	-	-	-	-	-	-
	DH _{max}	-	-	-	-	-	-	290	290	290	290	-	-	-	-	-	-	-	-	-	-	-	-
	M _{bmax}	-	-	-	-	-	-	12,5	12,5	23	23	-	-	-	-	-	-	-	-	-	-	-	-
	mass (kg)	-	-	-	-	-	-	130	130	169	169	-	-	-	-	-	-	-	-	-	-	-	-
BH355C	E	-	-	-	-	-	-	-	-	-	-	-	-	-	-	-	-	-	-	-	-	-	-
	DH _{max}	-	-	-	-	-	-	-	-	-	-	-	-	-	-	-	-	-	-	-	-	-	-
	M _{bmax}	-	-	-	-	-	-	-	-	-	-	-	-	-	-	-	-	-	-	-	-	-	-
	mass (kg)	-	-	-	-	-	-	-	-	-	-	-	-	-	-	-	-	-	-	-	-	-	-

* with fixing bolts class 10.9 tightened at 8.8 torque values

IEC - Motor bell housing main dimensions (bevel helical gear reducers)



IEC - B5	P	M	F	S	N	Q
100/112	250	215	13	14	180	5
132	300	265	13	14	230	5
160	350	300	17	16	250	6
180	350	300	17	16	250	6
200	400	350	17	18	300	6
225	450	400	17	18	350	6
250	550	500	17	22	450	6
280	550	500	17	22	450	6
315	660	600	21	25	550	7
355	800	740	21	25	680	7

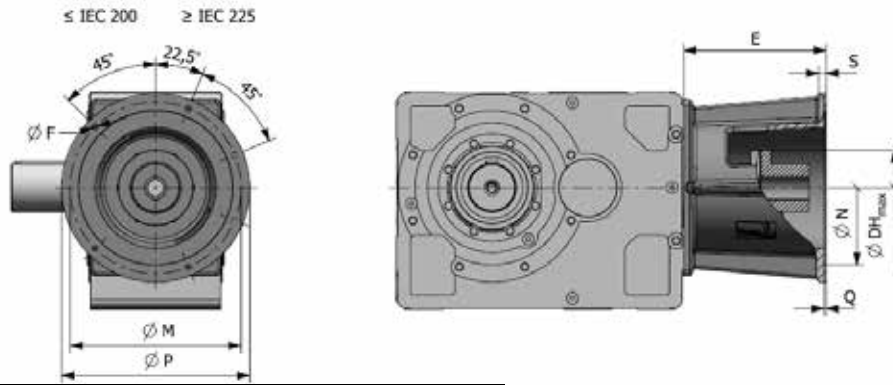
dimensions in (mm)

C2I

Code	E (mm) F _{max} (mm) M _{bmax} (kNm)	Gearbox size and executions																					
		140		160		180		200		225		250		280		320		321		360		400	
		..A	..V	..A	..V	..A	..V	..A	..V	..A	..V	..A	..V	..A	..V	..A	..V	..A	..V	..A	..V	..A	..V
BH100C	E	214	165	258	196	258	196	-	-	-	-	-	-	-	-	-	-	-	-	-	-	-	-
	DH _{max}	130	130	130	130	130	130	-	-	-	-	-	-	-	-	-	-	-	-	-	-	-	-
	M _{bmax}	1,6*	1,6*	2,1	2,1	2,1	2,1	-	-	-	-	-	-	-	-	-	-	-	-	-	-	-	-
	mass (kg)	18	16	24	21	24	21	-	-	-	-	-	-	-	-	-	-	-	-	-	-	-	-
BH132C	E	214	165	258	196	258	196	302	243	302	243	-	-	-	-	-	-	-	-	-	-	-	-
	DH _{max}	130	130	130	130	130	130	130	130	130	130	-	-	-	-	-	-	-	-	-	-	-	-
	M _{bmax}	1,6*	1,6*	2,1	2,1	2,1	2,1	4,5	4,5	4,5	4,5	-	-	-	-	-	-	-	-	-	-	-	-
	mass (kg)	19	18	26	22	26	22	46	36	46	36	-	-	-	-	-	-	-	-	-	-	-	-
BH160C	E	245	197	319	227	319	227	302	243	302	243	383	288	383	288	-	-	-	-	-	-	-	-
	DH _{max}	150	150	180	150	180	150	130	130	130	180	180	180	180	180	-	-	-	-	-	-	-	-
	M _{bmax}	1,6*	1,6*	2,1	2,1	2,1	2,1	4,5	4,5	4,5	4,5	12,5	16*	12,5	16*	-	-	-	-	-	-	-	-
	mass (kg)	28	25	43	28	43	28	48	38	48	38	71	52	71	52	-	-	-	-	-	-	-	-
BH180C	E	245	197	319	227	319	227	302	243	302	243	383	288	383	288	-	-	-	-	-	-	-	-
	DH _{max}	150	150	180	150	180	150	130	130	130	180	180	180	180	180	-	-	-	-	-	-	-	-
	M _{bmax}	1,6*	1,6*	2,1	2,1	2,1	2,1	4,5	4,5	4,5	4,5	12,5	16*	12,5	16*	-	-	-	-	-	-	-	-
	mass (kg)	28	25	43	28	43	28	48	38	48	38	71	52	71	52	-	-	-	-	-	-	-	-
BH200C	E	245	197	319	227	319	227	333	274	333	274	383	288	383	288	438	317	438	317	438	317	438	317
	DH _{max}	150	150	180	150	180	150	220	220	220	220	180	180	180	180	180	180	180	180	180	180	180	180
	M _{bmax}	1,6*	1,6*	2,1	2,1	2,1	2,1	4,5	4,5	4,5	4,5	12,5	16*	12,5	16*	23	15	23	15	23	15	23	15
	mass (kg)	31	27	45	31	45	31	63	50	63	50	73	55	73	55	107	76	107	76	107	76	107	76
BH225C	E	-	-	-	-	-	-	333	274	333	274	383	288	383	288	438	317	438	317	438	317	438	317
	DH _{max}	-	-	-	-	-	-	220	220	220	220	180	180	180	180	180	180	180	180	180	180	180	180
	M _{bmax}	-	-	-	-	-	-	4,5	4,5	4,5	4,5	12,5	16*	12,5	16*	23	15	23	15	23	15	23	15
	mass (kg)	-	-	-	-	-	-	66	53	66	53	76	57	76	57	109	78	109	78	109	78	109	78
BH250C	E	-	-	-	-	-	-	333	274	333	274	414	338	414	338	469	348	469	348	469	348	469	348
	DH _{max}	-	-	-	-	-	-	220	220	220	220	290	290	290	290	290	290	290	290	290	290	290	290
	M _{bmax}	-	-	-	-	-	-	4,5	4,5	4,5	4,5	12,5	16*	12,5	16*	23	15	23	15	23	15	23	15
	mass (kg)	-	-	-	-	-	-	74	61	74	61	121	95	121	95	161	124	161	124	161	124	161	124
BH280C	E	-	-	-	-	-	-	333	274	333	274	414	338	414	338	469	348	469	348	469	348	469	348
	DH _{max}	-	-	-	-	-	-	220	220	220	220	290	290	290	290	290	290	290	290	290	290	290	290
	M _{bmax}	-	-	-	-	-	-	4,5	4,5	4,5	4,5	12,5	16*	12,5	16*	23	15	23	15	23	15	23	15
	mass (kg)	-	-	-	-	-	-	74	61	74	61	121	95	121	95	161	124	161	124	161	124	161	124
BH315C	E	-	-	-	-	-	-	-	-	-	-	414	338	414	338	469	348	469	348	469	348	469	348
	DH _{max}	-	-	-	-	-	-	-	-	-	-	290	290	290	290	290	290	290	290	290	290	290	290
	M _{bmax}	-	-	-	-	-	-	-	-	-	-	12,5	16*	12,5	16*	23	15	23	15	23	15	23	15
	mass (kg)	-	-	-	-	-	-	-	-	-	-	132	104	132	104	166	136	166	136	166	136	166	136
BH355C	E	-	-	-	-	-	-	-	-	-	-	-	-	-	-	-	-	-	-	-	-	-	434
	DH _{max}	-	-	-	-	-	-	-	-	-	-	-	-	-	-	-	-	-	-	-	-	-	-
	M _{bmax}	-	-	-	-	-	-	-	-	-	-	-	-	-	-	-	-	-	-	-	-	-	30
	mass (kg)	-	-	-	-	-	-	-	-	-	-	-	-	-	-	-	-	-	-	-	-	-	-

* with fixing bolts class 10.9 tightened at 8.8 torque values

IEC - Motor bell housing main dimensions (bevel helical gear reducers)



IEC - B5	P	M	F	S	N	Q
100/112	250	215	13	14	180	5
132	300	265	13	14	230	5
160	350	300	17	16	250	6
180	350	300	17	16	250	6
200	400	350	17	18	300	6
225	450	400	17	18	350	6
250	550	500	17	22	450	6
280	550	500	17	22	450	6
315	660	600	21	25	550	7
355	800	740	21	25	680	7

dimensions in (mm)

C3I

Code	E (mm) F _{max} (mm) M _{bmax} (kNm)	Gearbox size and executions																					
		140		160		180		200		225		250		280		320		321		360		400	
		..A	..V	..A	..V	..A	..V	..A	..V	..A	..V	..A	..V	..A	..V	..A	..V	..A	..V	..A	..V	..A	..V
BH100C	E	-	-	-	-	-	-	-	-	-	-	-	-	-	-	-	-	-	-	-	-	-	-
	DH _{max}	-	-	-	-	-	-	-	-	-	-	-	-	-	-	-	-	-	-	-	-	-	-
	M _{bmax}	-	-	-	-	-	-	-	-	-	-	-	-	-	-	-	-	-	-	-	-	-	-
	mass (kg)	-	-	-	-	-	-	-	-	-	-	-	-	-	-	-	-	-	-	-	-	-	-
BH132C	E	-	-	-	-	-	-	-	-	-	-	-	-	-	-	-	-	-	-	-	-	-	-
	DH _{max}	-	-	-	-	-	-	-	-	-	-	-	-	-	-	-	-	-	-	-	-	-	-
	M _{bmax}	-	-	-	-	-	-	-	-	-	-	-	-	-	-	-	-	-	-	-	-	-	-
	mass (kg)	-	-	-	-	-	-	-	-	-	-	-	-	-	-	-	-	-	-	-	-	-	-
BH160C	E	-	-	-	-	-	-	-	-	-	-	-	-	-	-	-	-	-	-	-	-	-	-
	DH _{max}	-	-	-	-	-	-	-	-	-	-	-	-	-	-	-	-	-	-	-	-	-	-
	M _{bmax}	-	-	-	-	-	-	-	-	-	-	-	-	-	-	-	-	-	-	-	-	-	-
	mass (kg)	-	-	-	-	-	-	-	-	-	-	-	-	-	-	-	-	-	-	-	-	-	-
BH180C	E	-	-	-	-	-	-	-	-	-	-	-	-	-	-	-	-	-	-	-	-	-	-
	DH _{max}	-	-	-	-	-	-	-	-	-	-	-	-	-	-	-	-	-	-	-	-	-	-
	M _{bmax}	-	-	-	-	-	-	-	-	-	-	-	-	-	-	-	-	-	-	-	-	-	-
	mass (kg)	-	-	-	-	-	-	-	-	-	-	-	-	-	-	-	-	-	-	-	-	-	-
BH200C	E	-	-	-	-	-	-	-	-	-	-	-	-	-	-	-	-	-	-	-	-	-	-
	DH _{max}	-	-	-	-	-	-	-	-	-	-	-	-	-	-	-	-	-	-	-	-	-	-
	M _{bmax}	-	-	-	-	-	-	-	-	-	-	-	-	-	-	-	-	-	-	-	-	-	-
	mass (kg)	-	-	-	-	-	-	-	-	-	-	-	-	-	-	-	-	-	-	-	-	-	-
BH225C	E	-	-	-	-	-	-	-	-	-	-	-	-	-	-	-	-	-	-	-	-	360	-
	DH _{max}	-	-	-	-	-	-	-	-	-	-	-	-	-	-	-	-	-	-	-	-	220	-
	M _{bmax}	-	-	-	-	-	-	-	-	-	-	-	-	-	-	-	-	-	-	-	-	30	-
	mass (kg)	-	-	-	-	-	-	-	-	-	-	-	-	-	-	-	-	-	-	-	-	129	-
BH250C	E	-	-	-	-	-	-	-	-	-	-	-	-	-	-	-	-	-	-	-	-	360	-
	DH _{max}	-	-	-	-	-	-	-	-	-	-	-	-	-	-	-	-	-	-	-	-	220	-
	M _{bmax}	-	-	-	-	-	-	-	-	-	-	-	-	-	-	-	-	-	-	-	-	30	-
	mass (kg)	-	-	-	-	-	-	-	-	-	-	-	-	-	-	-	-	-	-	-	-	137	-
BH280C	E	-	-	-	-	-	-	-	-	-	-	-	-	-	-	-	-	-	-	-	-	360	-
	DH _{max}	-	-	-	-	-	-	-	-	-	-	-	-	-	-	-	-	-	-	-	-	220	-
	M _{bmax}	-	-	-	-	-	-	-	-	-	-	-	-	-	-	-	-	-	-	-	-	30	-
	mass (kg)	-	-	-	-	-	-	-	-	-	-	-	-	-	-	-	-	-	-	-	-	137	-
BH315C	E	-	-	-	-	-	-	-	-	-	-	-	-	-	-	-	-	-	-	-	-	-	-
	DH _{max}	-	-	-	-	-	-	-	-	-	-	-	-	-	-	-	-	-	-	-	-	-	-
	M _{bmax}	-	-	-	-	-	-	-	-	-	-	-	-	-	-	-	-	-	-	-	-	-	-
	mass (kg)	-	-	-	-	-	-	-	-	-	-	-	-	-	-	-	-	-	-	-	-	-	-
BH355C	E	-	-	-	-	-	-	-	-	-	-	-	-	-	-	-	-	-	-	-	-	-	-
	DH _{max}	-	-	-	-	-	-	-	-	-	-	-	-	-	-	-	-	-	-	-	-	-	-
	M _{bmax}	-	-	-	-	-	-	-	-	-	-	-	-	-	-	-	-	-	-	-	-	-	-
	mass (kg)	-	-	-	-	-	-	-	-	-	-	-	-	-	-	-	-	-	-	-	-	-	-

* with fixing bolts class 10.9 tightened at 8.8 torque values

Every decision we make at Rossi impacts the world we live in. But new technologies and renewed commitment to sustainable practices have provided us with the opportunity to make environmentally friendly printing decisions. Our catalogs are printed on Forest Stewardship Council® (FSC®) certified paper ⁽¹⁾. This is our tangible commitment in terms of environment sustainability.

⁽¹⁾ The certification means that finished wood-based products in the marketplace have been handled by companies that have also been certified and that the paper has been handled in an environmentally-friendly manner.

Australia

Rossi Gearmotors Australia Pty. Ltd.
e-mail: info.australia@rossi-group.com
www.rossi-group.com/australia

Benelux

Rossi BeNeLux B.V.
e-mail: info.benelux@rossi-group.com
www.rossi-group.com/benelux

Brazil

Rossi do Brasil LTDA
e-mail: info.brazil@rossi-group.com
www.rossi-group.com/brazil

Canada

Rossi North America
e-mail: info.canada@rossi-group.com
www.rossi-group.com/canada

China

Rossi Gearmotors P.T.I. (Shanghai) Co., Ltd.
e-mail: info.china@rossi-group.com
www.rossi-group.com/china

France

Rossi Motoréducteurs SARL
e-mail: info.france@rossi-group.com
www.rossi-group.com/france

Germany

Rossi GmbH
e-mail: info.germany@rossi-group.com
www.rossi-group.com/germany

India

Rossi Gearmotors Pvt. Ltd.
e-mail: info.india@rossi-group.com
www.rossi-group.com/india

Malaysia

Rossi Gearmotors South East Asia Sdn Bhd
e-mail: info.malaysia@rossi-group.com
www.rossi-group.com/malaysia

Poland

Rossi Polska Sp.z o.o.
e-mail: info.poland@rossi-group.com
www.rossi-group.com/poland

Spain, Portugal

Rossi Motorreductores S.L.
e-mail: info.spain@rossi-group.com
www.rossi-group.com/spain

South Africa

Rossi Southern Africa
e-mail: info.southafrica@rossi-group.com
www.rossi-group.com/southafrica

Taiwan

Rossi Gearmotors Co. Ltd.
e-mail: info.taiwan@rossi-group.com
www.rossi-group.com/taiwan

Turkey

Rossi Turkey & Middle East
e-mail: info.turkey@rossi-group.com
www.rossi-group.com/turkey

United Kingdom

Rossi Gearmotors Ltd.
e-mail: info.uk@rossi-group.com
www.rossi-group.com/unitedkingdom

United States, Mexico

Rossi North America
e-mail: info.northamerica@rossi-group.com
www.rossi-group.com/northamerica

Global Service

Rossi S.p.A.
e-mail: aftersales@rossi-group.com

Product liability, application considerations

The Customer is responsible for the correct selection and application of product in view of its industrial and/or commercial needs, unless the use has been recommended by technical qualified personnel of Rossi, who were duly informed about customer's application purposes. In this case all the necessary data required for the selection shall be communicated exactly and in writing by the Customer, stated in the order and confirmed by Rossi. The Customer is always responsible for the safety of product applications. Every care has been taken in the drawing up of the catalog to ensure the accuracy of the information contained in this publication, however Rossi can accept no responsibility for any errors, omissions or outdated data. Due to the constant evolution of the state of the art, Rossi reserves the right to make any modification whenever to this publication contents. The responsibility for the product selection is of the customer, excluding different agreements duly legalized in writing and undersigned by the Parties.

Rossi S.p.A.

Via Emilia Ovest 915/A
41123 Modena - Italy
Phone +39 059 33 02 88
fax +39 059 82 77 74
e-mail: info@rossi-group.com
www.rossi-group.com

Registered trademarks
Copyright Rossi S.p.A.
Subject to alterations
Printed in Italy

