

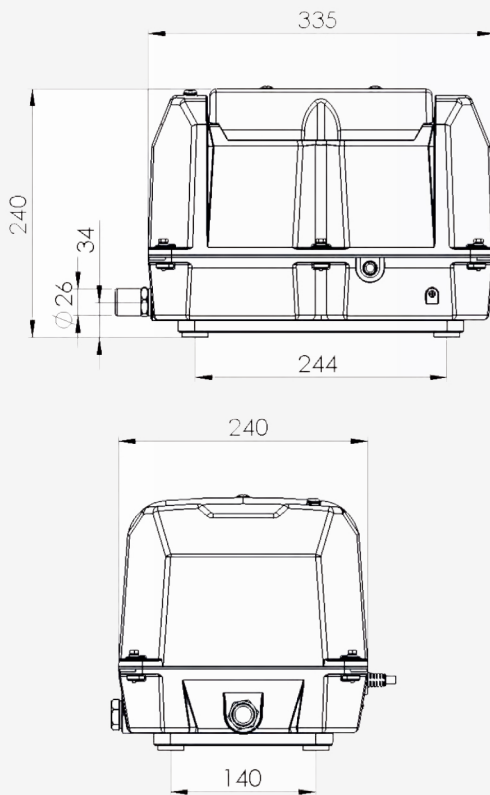
# JDK Twin Series

JDK - 300 / JDK - 400 / JDK - 500

## Product Characteristics

- Simple Maintenance
- Long Lifecycle
- Low Noise Levels
- Highly Reliable Auto-Stopper
- Pressure Relief Valve Included
- LED Service Light (Cable Optional)
- Aluminium Housing

## Dimensions



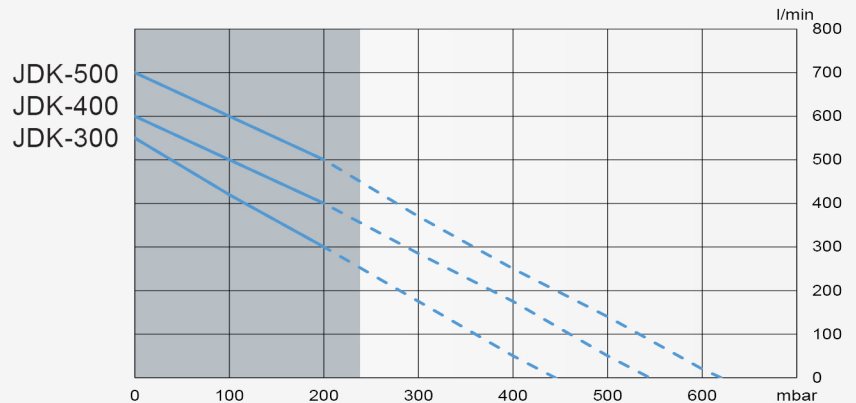
## Technical Data

Model			JDK-300	JDK-400	JDK-500
Air Flow l/min	l/min	0 mbar	525	600	700
		50 mbar	480	560	655
		100 mbar	430	510	600
		150 mbar	375	460	545
		200 mbar	300	400	500
Voltage	V		230		
Power Consumption	W	200 mbar	230	360	450
Noise Level	dB(A)		52	54	58
Dimensions	mm	L x W x H	335 X 240 X 238.5		
Connection	mm	ø outside	27		
Net Weight	Kg		18		

1) Product performance may vary +/- 10% from performance curves. 2) Values at 50Hz.

## Performance Data

230V / 50 Hz, optimal operating span



## Spare Parts / Accessories

Spares	BIBUS Code
Service Kit	SE40
Diaphragm Sets	SE41
Filters	SE42
Magnets	SE43 / SE44
Autotoppers	SK53204150
Accessories	
Pressure Gauge	BP1

SE44 Magnet used only in the JDK-500