

Snaplåse og modhold

Fasteners and catch plates



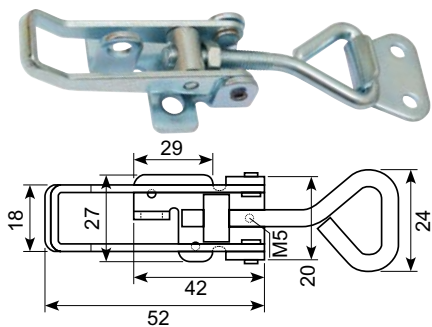
Snaplåse og modhold / Fasteners and catch plates

18.125

Galvaniseret excenterlukker med modhold.

Justerbar: 70 - 82 mm.

Galvanized side board latch with catch plate. Stainless steel. Adjustable: 70-82 mm.

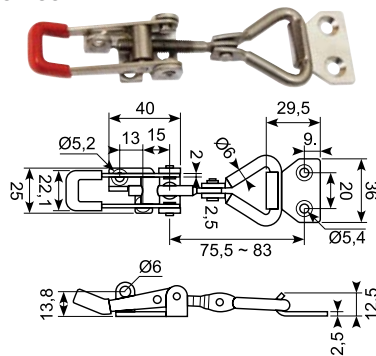


18.125A

Rustfri/syrefast excenterlås med leddelt øje.

Justerbar: 75,5 - 83 mm.

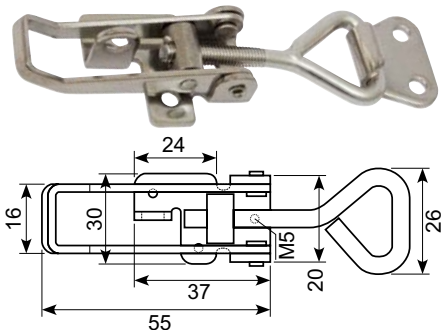
Stainless acid-proof side board latch. Adjustable: 75,5 - 83 mm.



18.125SS304

Excenterlukker med bøjle til hængelås. Inkl. modhold. Rustfri SS304.

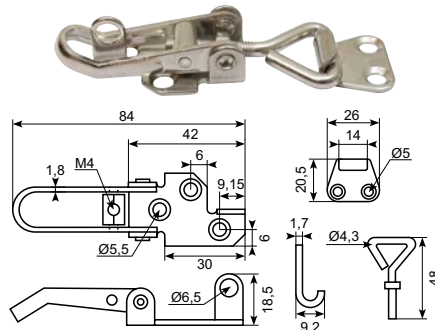
Side board latch with shackle for padlock and catch plate. Stainless SS304. Adjustable: 70 - 82 mm.



63.051990J

Spændeoverfald inkl. låsehage. Rustfri stål SS316.

Buckle fastener incl. lock hook. Stainless steel SS316. Adjustable: 70 - 82 mm. **Alternativ: 18.125SS304.**

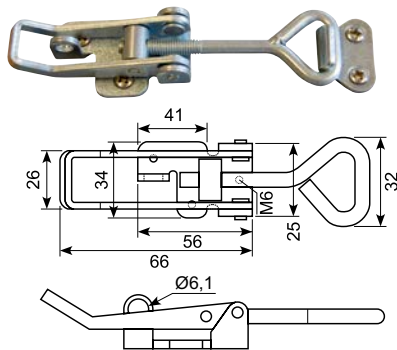


18.125X

Galvaniseret excenterlukker med modhold.

Justerbar: 103 - 118 mm. Armlængde: 80 mm.

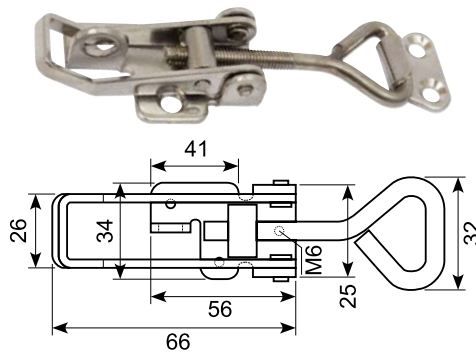
Galvanized side board latch with catch plate. Adjustable: 103 - 118 mm. Arm length: 80 mm.



18.125SS304

Excenterlukker med bøjle til hængelås inkl. modhold. Rustfri SS304.

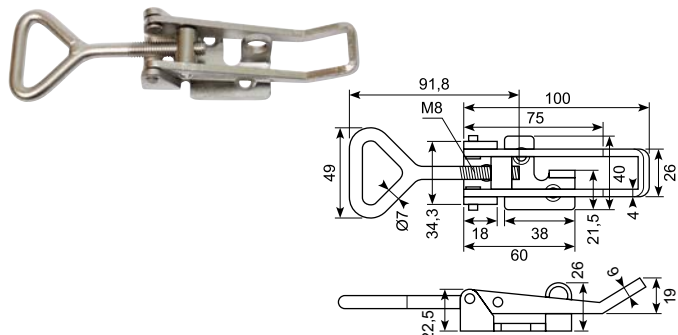
Side board latch with shackle for padlock and catch plate. Stainless steel SS304. Adjustable: 103 - 118 mm.



18.126SS304

Excenterlukker med bøjle til hængelås. Rustfri SS304.

Side board latch with shackle for padlock. Stainless SS304. Adjustable: 155 - 170 mm.



18.126SS304-1

Modhold til 18.126SS304. Rustfri 304.

Catch plate for 18.126SS304. Stainless 304.



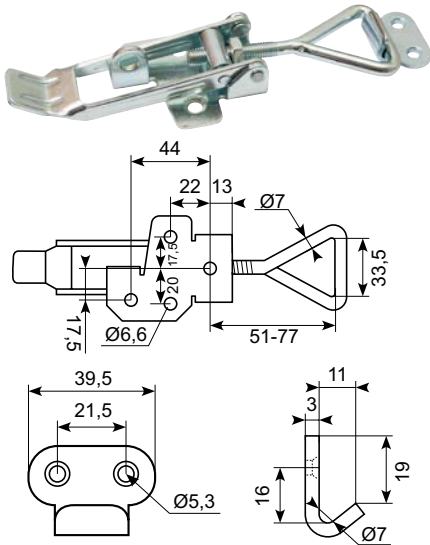
● Godt køb / Best buy

Snaplås og modhold / Fasteners and catch plates

18.126XLZ

Galvaniseret excenterlukker.

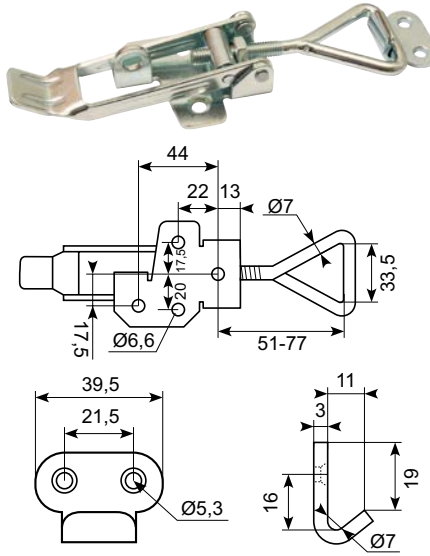
Galvanized side board latch.



18.126XLSS

Rustfri excenterlukker.

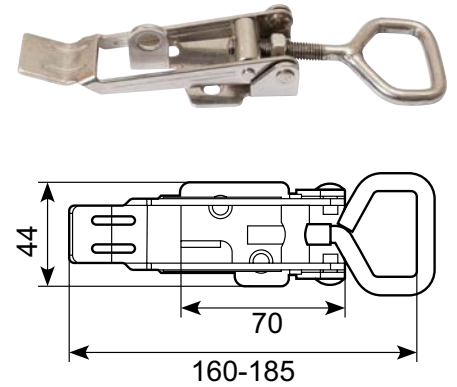
Stainless side board latch.



18.126XLA

Rustfri/syrefast excenterlukker. SS316. Med øje til hængelås (Ø9,4 mm). Justerbar: 155 - 175 mm.

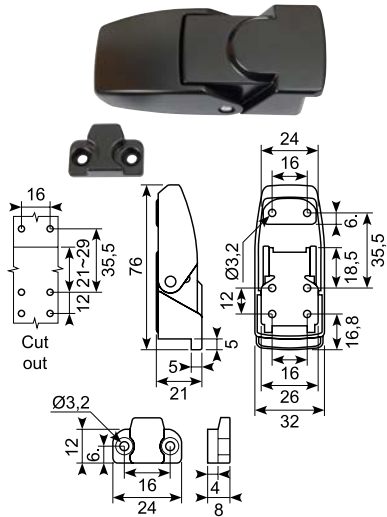
Stainless/acid-proof side board latch with eye for padlock (Ø9,4). SS316. Adjustable: 155 - 175 mm.



18.146

Sort pulverlakeret rustfri beslag og modhold. 76 mm. Uden lås.

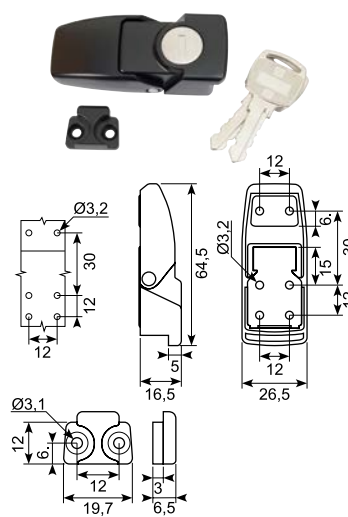
Black coated stainless latch with catch plate. 76 mm. Without lock.



18.148

Sort pulverlakeret rustfri beslag og modhold. 64,5 mm. Med nøgle.

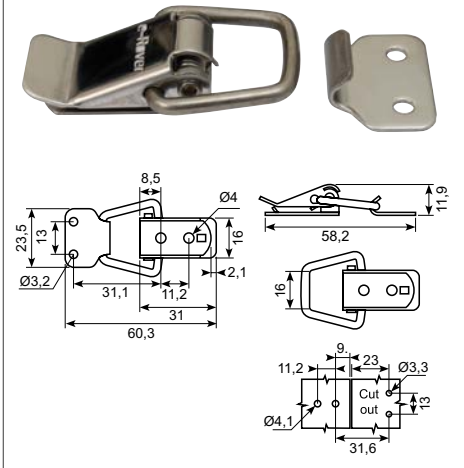
Black coated stainless latch with catch plate. 64,5 mm with lock and keys.



18.139

Rustfri excenterlukker med bøjle fjeder retur. Med modhold.

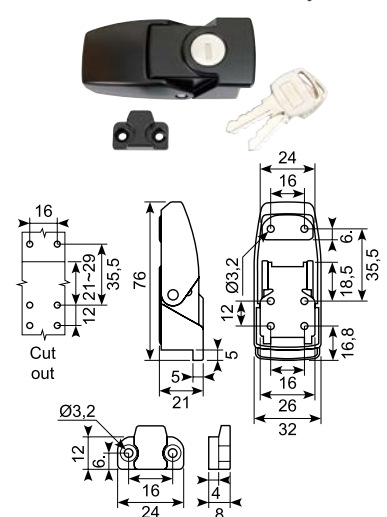
Stainless side board latch with spring and catch plate.



18.147

Sort pulverlakeret rustfri beslag og modhold. 76 mm. Med nøgle.

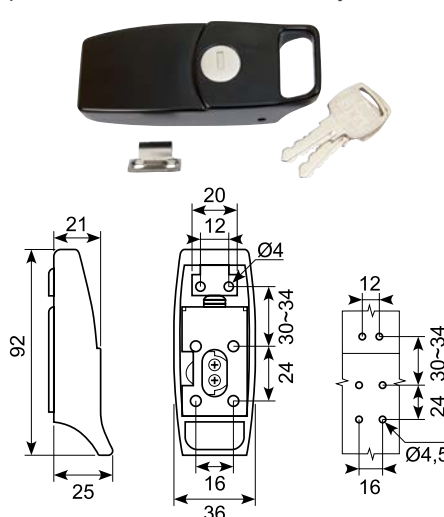
Black coated stainless latch with catch plate. 76 mm. With lock and keys.



18.145

Sort pulverlakeret rustfri beslag og modhold. 92 mm. Med nøgle.

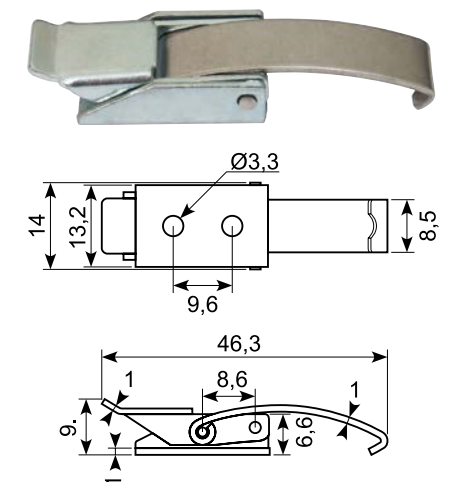
Black coated stainless latch with catch plate. 92 mm. With lock and keys.



18.140

Galvaniseret excenterlukker. Rustfri bøjle / næse.

Galvanized side board latch. Stainless nose.



● **Godt køb / Best buy**

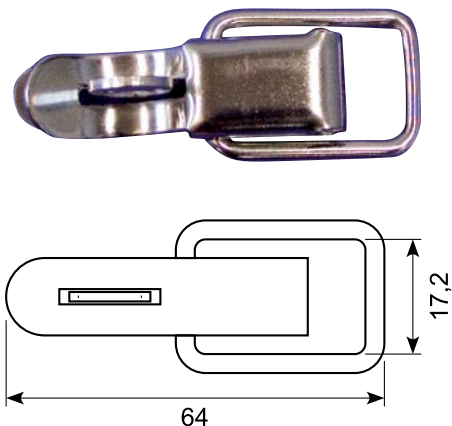
Snaplåse og modhold / Fasteners and catch plates

18.128

Rustfri excenterlukker med hul til lås. 11 mm. **Modhold evt. 18.129**

Stainless side board latch. Hole for padlock. 64 mm.

Catch plate e.g. 18.129



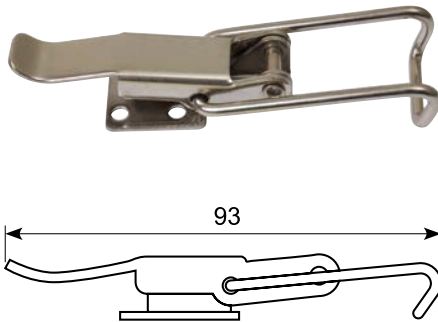
18.127

Rustfri excenterlukker med bøjle. Uden modhold. 11 mm. **Modhold evt. 18.129**

Stainless side board latch with shackle. Without catch plate. 11 mm.

Catch plate e.g. 18.129

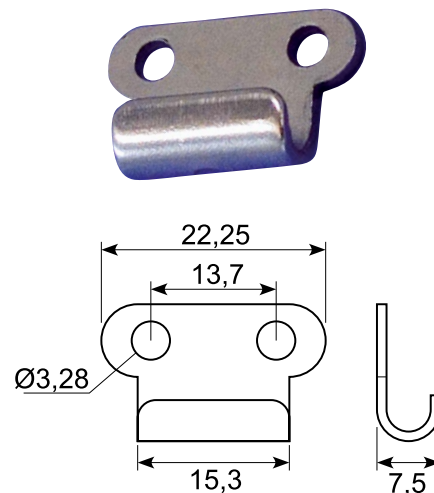
Min. order: 10.000 pcs.



18.129

Modhold med 2 huller. Rustfri SS304.

Catch plate with 2 holes. Stainless SS304.



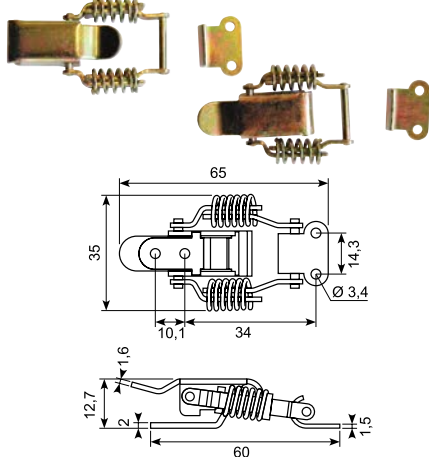
18.132J

Galvaniseret snaplås med fjeder og modhold. 54 mm.

Min. ordre: 2.500 stk.

Galvanized rigid fasteners with spring and catch plate. 54 mm.

Min. order: 2.500 pcs.



18.130

Excenterlukker med bøjle.

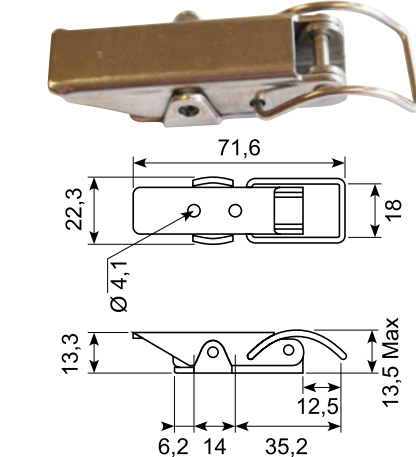
Rustfri SS304.

Brug modhold 18.129.

Side board latch with hanger.

Stainless SS304.

Use catch plate 18.129.



18.131

Excenterlukker med stor bøjle.

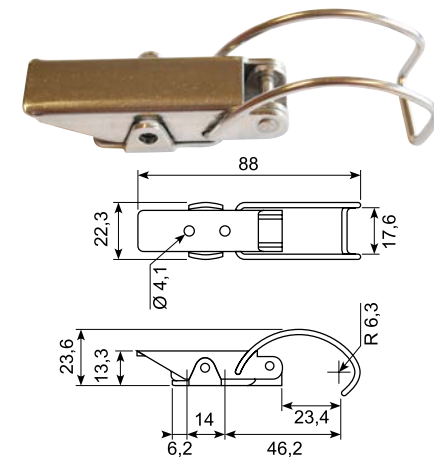
Rustfri SS304. 88 mm.

Brug modhold 18.129.

Side board latch with big shackle.

Stainless SS304. 88 mm.

Use catch plate 18.129.

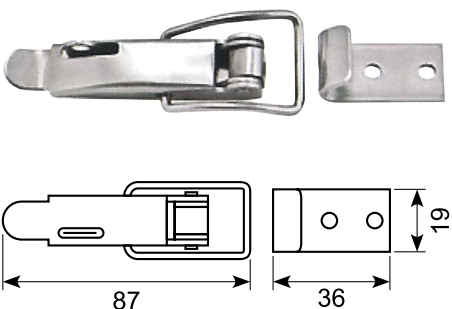


18.121

Lukkebeslag med hage med modhold. Rustfri SS316.

Modhold højde: 13,4 mm.

Fasteners with catch plate. Stainless SS316. Catch plate height: 13,4 mm.

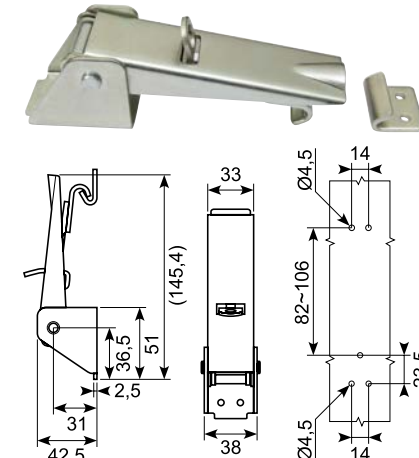


18.141

Galvaniseret justerbar excenterlukker med modhold.

Synlig fod med øje til hængelås.

Galvanized adjustable side board latch with catch plate. Visible base with eye for lock.

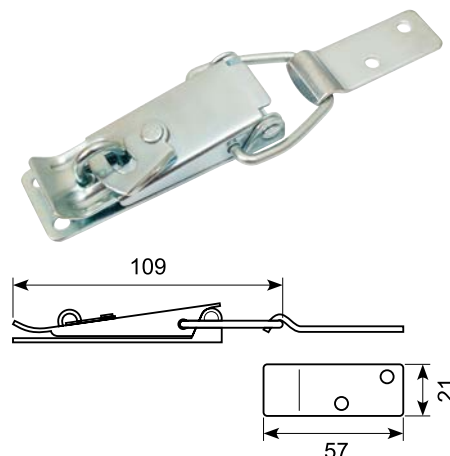


50.14832

Galvaniseret excenterlukker med overfaldshage. Inkl. modhold.

103g + 20g.

Galvanized side board latch with catch plate. 103g + 20g.



● **Godt køb / Best buy**

68

★ **Skaffevare / Special order item**

BIBUS SINDBY HARDWARE 8 - 00032-8-202110

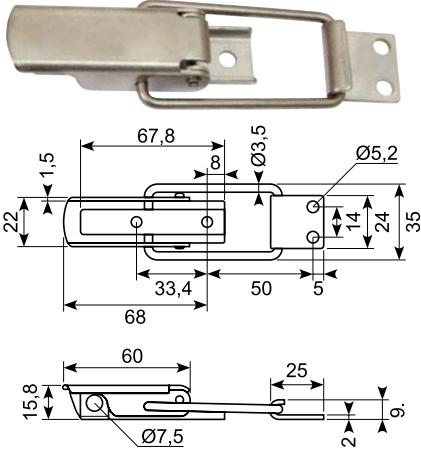
Snaplåse og modhold / Fasteners and catch plates

18.152

Snaplås med bøjle og modhold.
Rustfri SS304.

Længde med bøjle: 105 mm.

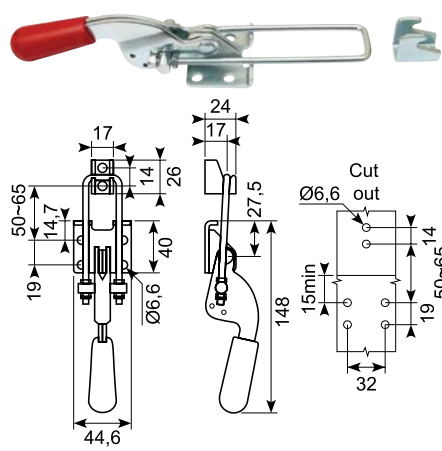
Rigid fastener with hanger and catch plate.
Stainless SS304.
Length with hanger: 105 mm.



18.144

Galvaniseret lukker med rødt håndtag, justerbar bøjle og modhold.
Bøjle: Ø4,3 mm.

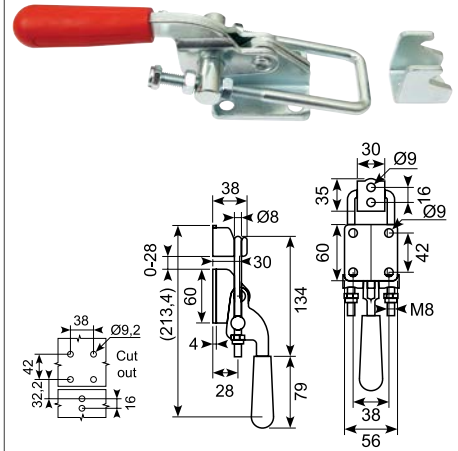
Galvanized shutter with red handle,
adjustable shackle and catch plate.
Shackle: Ø4,3 mm.



18.143

Galvaniseret lukker med rødt håndtag, justerbar bøjle og modhold.
Bøjle: 213,4 mm / Ø8 mm

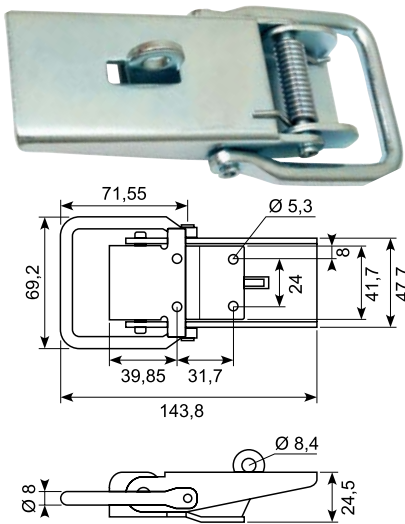
Galvanized shutter with red handle,
adjustable shackle and catch plate.
Shackle: 213,4 mm / Ø8 mm.



50.14405

Galvaniseret lukker med øje til hængelås og forkrøbet fod.

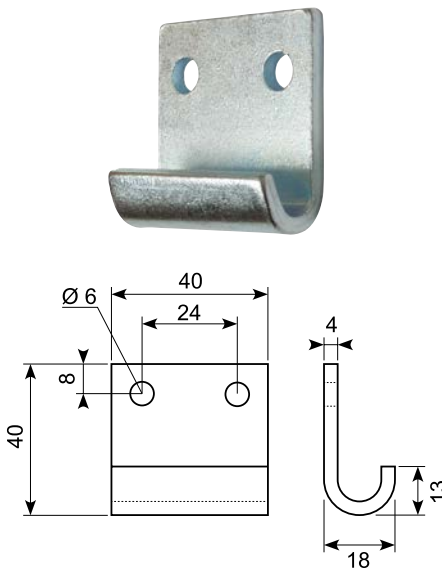
Galvanized shutter with eye for padlock
and cranked foot.



50.14405-1

Galvaniseret fladt modhold.

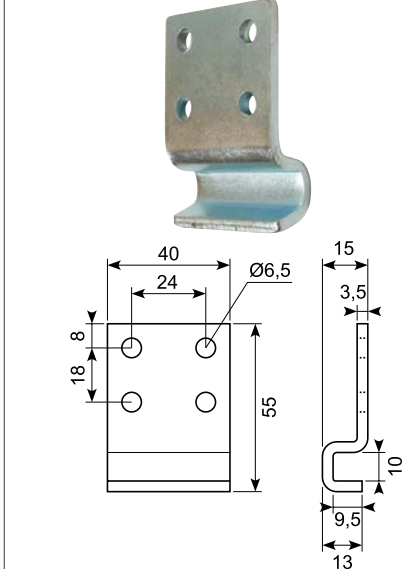
Flat galvanized catch plate.



50.14405-2

Galvaniseret forkrøbet modhold.

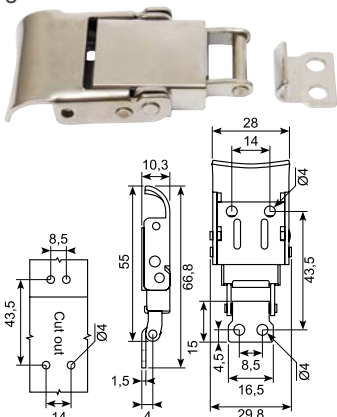
Galvanized catch plate, cranked.



18.135

Rustfri lukker med bøjle.
55 mm med bøjle og modhold.
Fjederbelastet bøjle med 3 indvendige fjedre.

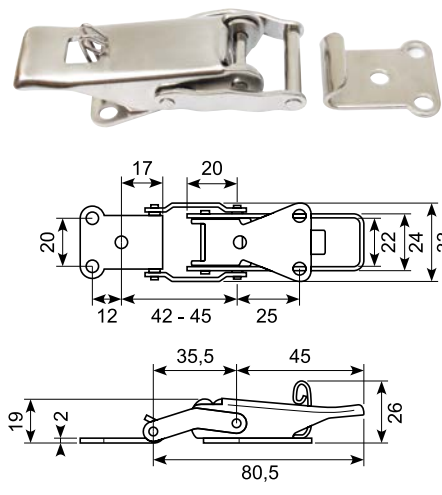
Stainless snap lock with shackle.
55 mm with shackle and catch plate.
Spring loaded shackle with 3 inner
springs.



18.133

Excenterlukker med bøjle og modhold. Rustfri SS304.

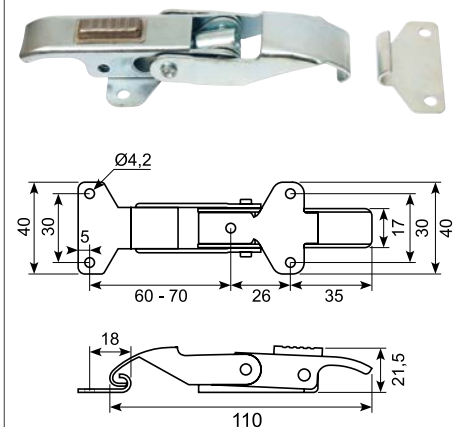
Snap lock with shackle and catch plate.
Stainless SS304.



18.134

Galvaniseret lukker med modhold og skydelås.

Galvanized snap lock with catch plate
and sliding latch.



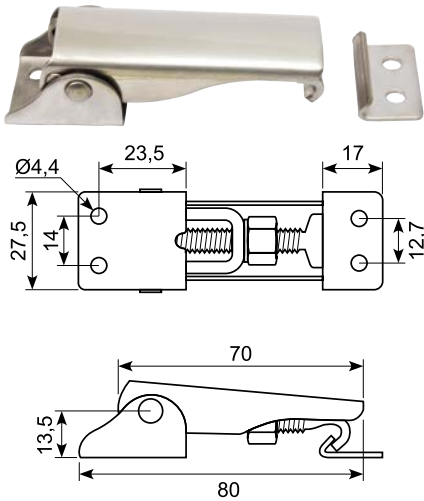
● **Godt køb / Best buy**

Snaplåse og modhold / Fasteners and catch plates

18.136

Justerbar rustfri excenterlukker med modhold.

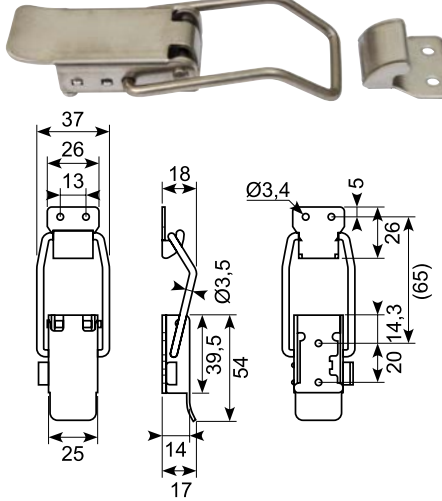
Adjustable stainless snap lock with catch plate.



18.137

Rustfri excenterlukker med bøjle, sidelås og modhold.

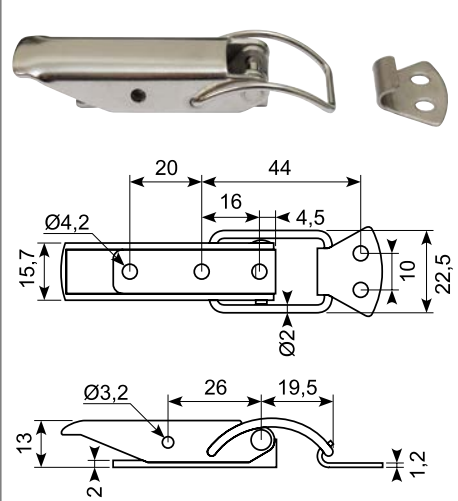
Stainless side board latch with shackle, sidelock and catch plate.



18.138

Rustfri excenterlukker med bøjle, modhold og hul til split.

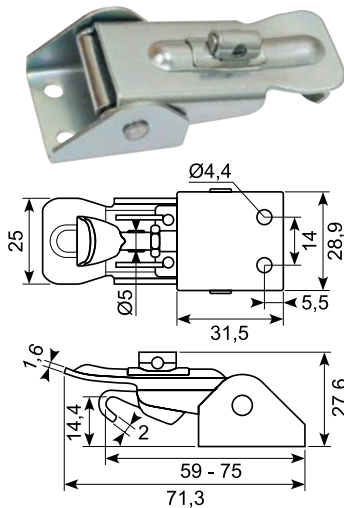
Side board latch with shackle, catch plate and hole for split.



18.153

Galvaniseret justerbar snaplås med lås.

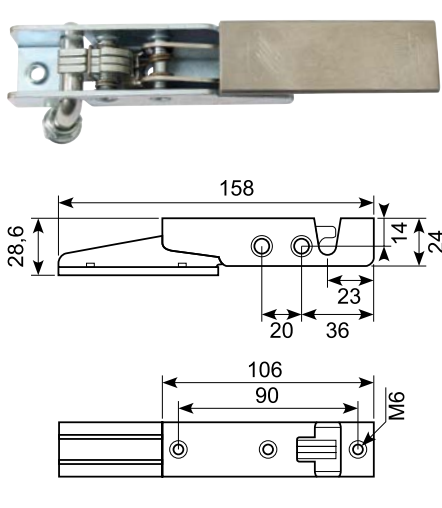
Galvanized adjustable rigid fastener with lock.



18.142

Galvaniseret lukker med modhold. Rustfri håndtag.

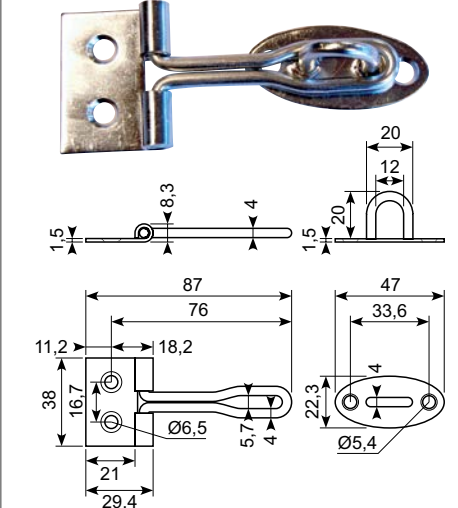
Galvanized snap lock with catch plate. Stainless handle.



50.13368

Overfald. Rustfri/syrefast 316. Electro polished.

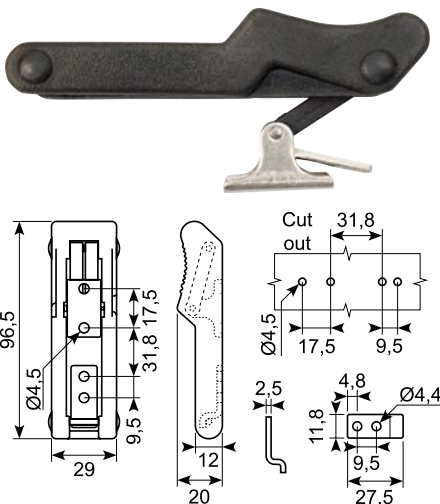
Stainless acid-proof 316. Electro polished.



18.149

Sort gummi håndtag. Rustfri beslag og modhold.

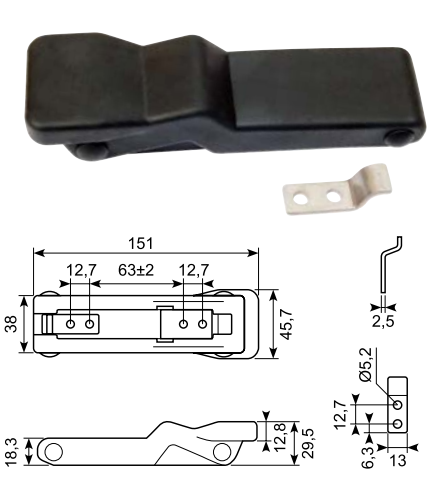
Black rubber handle with catch plate and stainless bracket.



18.149XL

Sort gummi håndtag. Rustfri beslag og modhold.

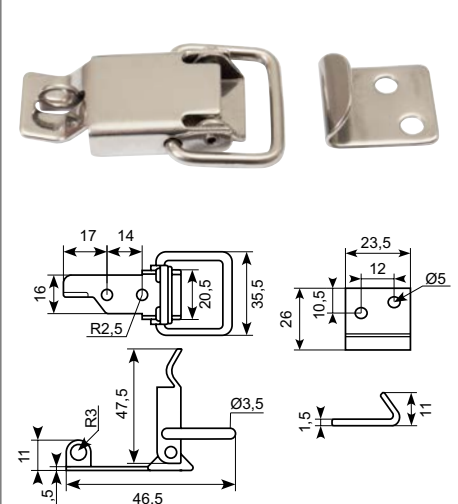
Black rubber handle. Stainless bracket and catch plate.



50.331537

Galvaniseret lukker med modhold. Rustfri håndtag.

Galvanized snap lock with catch plate. Stainless handle.



● **Godt køb / Best buy**

Snaplåse og modhold / Fasteners and catch plates

18.18613ZN

Galvaniseret Protex snaplås. Forberedt for sikring med split. Brudstyrke: 195 kg.
Rustfri version: 18.18613SS.

Galvanized rigid fastener, light duty. Prepared for split pin. Ultimate strength: 195 kg.
Stainless version: 18.18613SS.

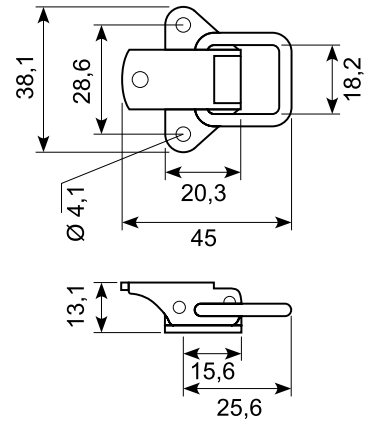
Modhold / Catch plate

18.01613ZN

18.02613ZN: 16 mm

18.03613ZN: 16 mm

18.07613



18.20505ZN

Galvaniseret protex snaplås. 16 mm. **Rustfri version: 18.20505SS.**

Galvanized rigid fastener. 16 mm. **Stainless version: 18.20505SS.**

Modhold / Catch plate

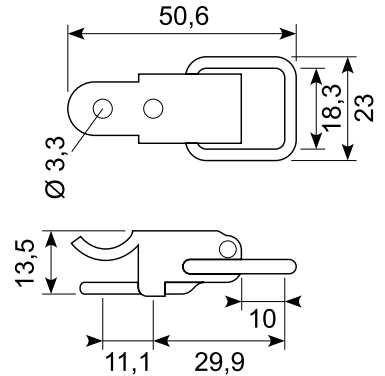
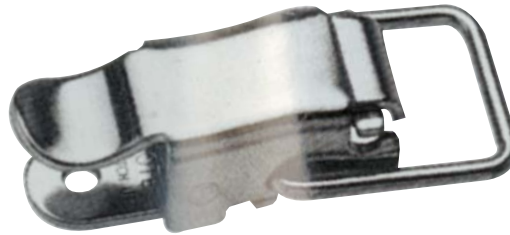
18.01504: Galvaniseret / Galvanized

18.01504SS: Rustfri / Stainless

18.02504

18.03504

18.011658



18.29569ZN

Galvaniseret lukkebeslag uden hage. **Rustfri version: 18.29569SS.**

Rigid fastener without hook. Zinc-plated. **Stainless version: 18.29569SS.**

Modhold / Catch plate

18.01535ZN: Hage galvaniseret / Galvanized catch

18.01535SS: Hage rustfri / Stainless catch

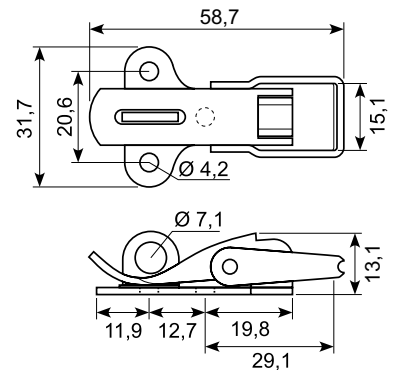
18.02535

18.07535

18.03535ZN: Hage galvaniseret / Galvanized catch

18.03535SS: Hage rustfri / Stainless catch

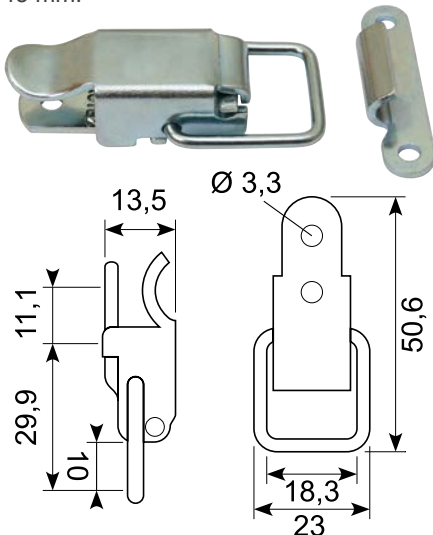
18.08594



18.505

Forzinket lukkebeslag med hage. 45 mm.

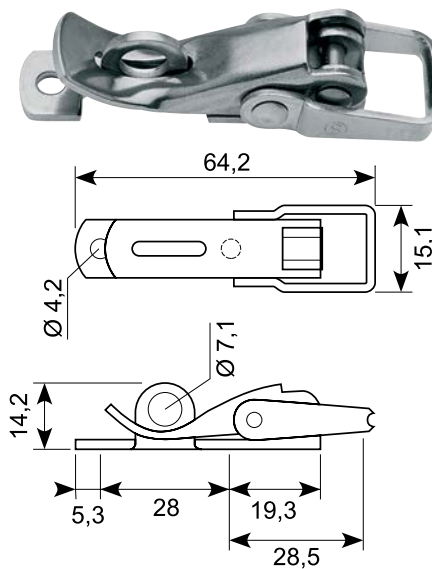
Zinc coated rigid fastener with catch. 45 mm.



18.291700SS

Rustfri protex snaplås.

Stainless rigid fastener.

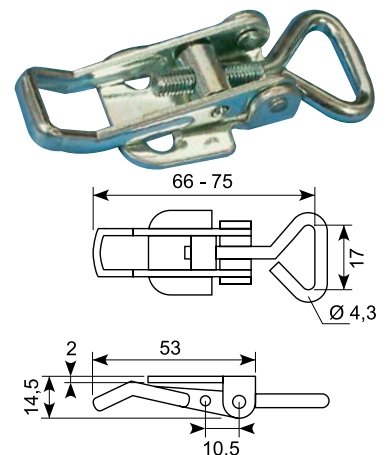


18.1090132ZN

El-forzinket snaplås med stiv bøjle. Justerbar længde.

Rustfri udgave: 18.1090532SS

Electric zinc coated rigid fastener with rigid shackle. Adjustable length. **Stainless version: 18.1090532SS**



Snaplåse og modhold / Fasteners and catch plates

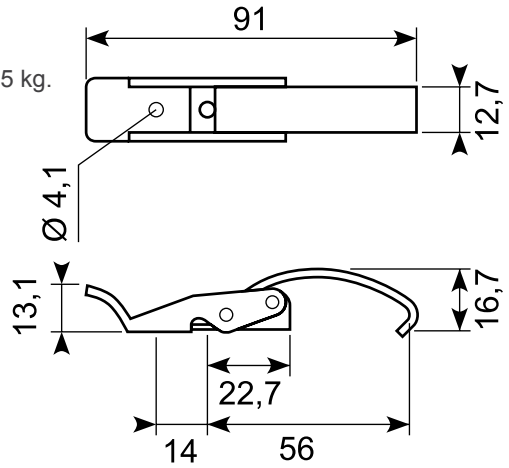
18.282150ZN

Galvaniseret protex snaplås. Til låg eller faldede kanter. Brudstyrke: 75 kg.
Rustfri version: 18.282150SS.

Galvanized rigid fastener, light duty. For lids or flanged edges. Ultimate strength: 75 kg.
Stainless version: 18.282150SS.

Modhold / Catch plate

18.042150ZN



18.271837ZN

Galvaniseret protex snaplås med lås. Med trækfjeder. Forberedt for sikring.
 Med split. Brudstyrke: 66 kg. **Rustfri version: 18.271837SS.**

Galvanized rigid fastener, medium duty. Locking. With tension spring, prepared for
 split pin. Ultimate strength: 66 kg. **Stainless version: 18.271837SS.**

Modhold / Catch plate

18.07613

18.02633: Galvaniseret / Galvanized

18.02633SS: Rustfri / Stainless

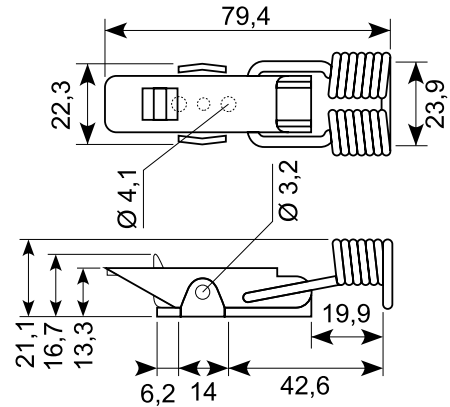
18.03633

18.001600CLR

18.07613

18.01502: 24 mm

18.02502: 24 mm



18.611750ZN

Galvaniseret justerbar protex snaplås med lås. Forberedt for sikring med split.
 Brudstyrke: 450 kg. **Rustfri version: 18.611750SS**

Galvanized adjustable rigid fastener, locking. Pin seal. Ultimate strength: 450 kg.
Stainless version: 18.611750SS.

Modhold / Catch plate

18.05655ZN: EL-forzinket, gul.

18.03655ZN: 16 mm

18.03655SS

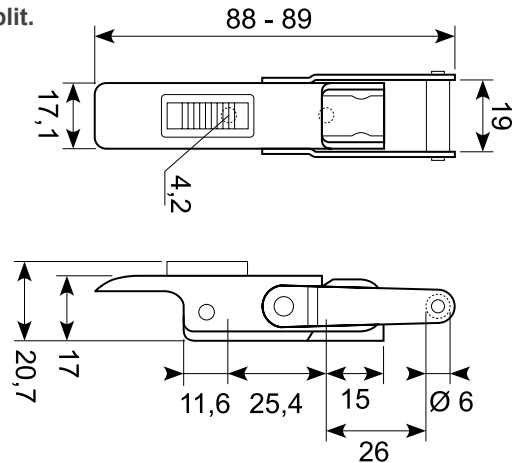
18.06655

18.01655

18.007655

18.02655ZN

18.02655SS



18.30570ZN

Protex stål snaplås. Forberedt for sikring. Med split og hængelås.
 Brudstyrke: 450 kg. **Rustfri version: 18.30570SS.**

Rigid steel fastener, medium duty. Prepared for padlock and split pin.
 Ultimate strength: 450 kg. **Stainless version: 18.30570SS.**

Modhold / Catch plate

18.031692

18.08502

18.01502SS: Rustfri / Stainless

18.01502ZN: Galvaniseret / Galvanized

18.05502SS: Rustfri / Stainless

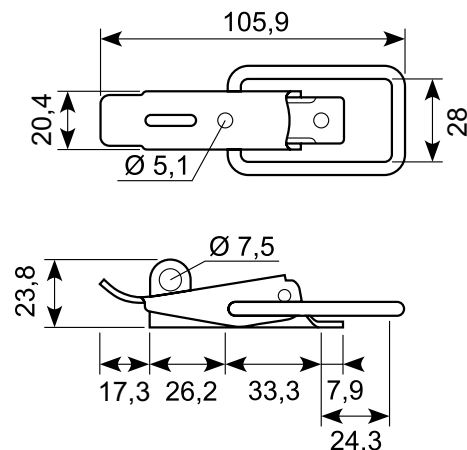
18.05502ZN: Galvaniseret / Galvanized

18.02502SS: Rustfri / Stainless

18.021260ZN: Galvaniseret / Galvanized

18.01502

18.02502



Snaplåse og modhold / Fasteners and catch plates

18.30506ZN

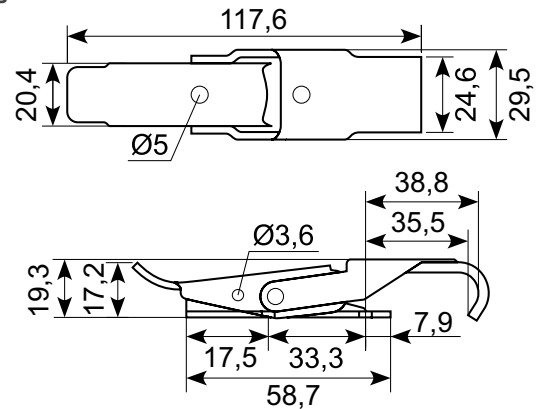
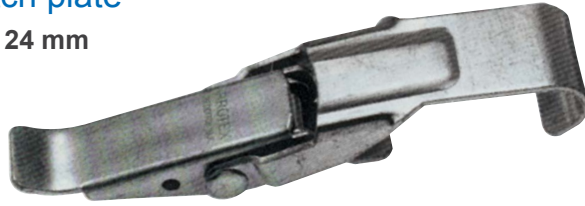
Galvaniseret protex snaplås. Til låg eller faldede kanter. Brudstyrke: 75 kg.
Rustfri version: 18.30506SS.

Galvanized rigid fastener, medium duty. For lids or flanged edges.
 Ultimate strength: 75 kg.

Stainless version: 18.30506SS.

Modhold / Catch plate

18.042150SS: 22 - 24 mm



18.351163ZN

Galvaniseret protex snaplås. Med trækfjeder. Forberedt for sikring. Med split.
 Brudstyrke: 66 kg. **Rustfri version: 18.351163SS.**

Galvanized rigid fastener, medium duty. With tension spring, pin seal.
 Ultimate strength: 66 kg. **Stainless version: 18.351163SS.**

Modhold / Catch plate

18.051058SS: Rustfri / Stainless

18.061058SS: Rustfri / Stainless

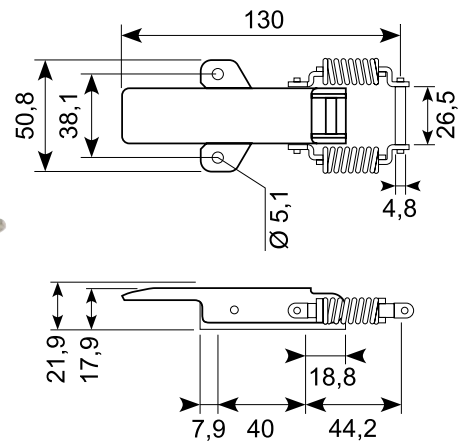
18.01502SS: Rustfri / Stainless

18.01502ZN: Galvaniseret / Galvanized - 26 mm

18.02502SS: Rustfri / Stainless

18.021260ZN: Galvaniseret / Galvanized - 26 mm

18.03502



18.361163ZN

Galvaniseret protex snaplås med lås. Med trækfjeder. Forberedt for sikring.
 Med split. Brudstyrke: 66 kg.

Rustfri version: 18.361163SS.

Galvanized rigid fastener, medium duty, locking. With tension spring, pin seal.
 Ultimate strength: 66 kg.

Stainless version: 18.361163SS.

Modhold / Catch plate

18.051058ZN: Galvaniseret / Galvanized

18.051058SS: Rustfri / Stainless

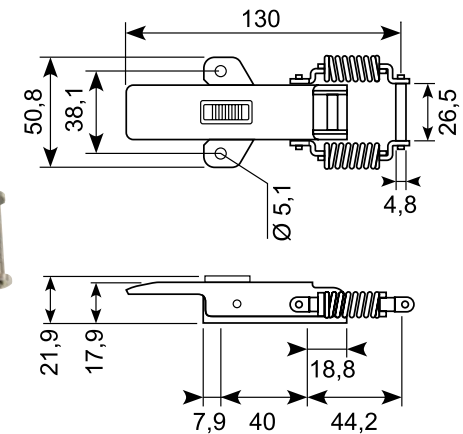
18.01502ZN: Galvaniseret / Galvanized

18.01502SS: Rustfri / Stainless - 24 mm

18.021260ZN: Galvaniseret / Galvanized

18.02502SS: Rustfri / Stainless - 24 mm

18.03502



18.371260ZN

Galvaniseret Protex snaplås. Aflåselig. Leveres med 2 nøgler. Brudstyrke: 494 kg.
Rustfri version: 18.371260SS.

Galvanized rigid fastener, medium duty. Locking, with 2 keys. Ultimate strength: 494 kg.
Stainless version: 18.371260SS.

Modhold / Catch plate

18.01502ZN: Galvaniseret / Galvanized - 24 mm

18.01502SS: Rustfri / Stainless

18.021260ZN: Galvaniseret / Galvanized - 24 mm

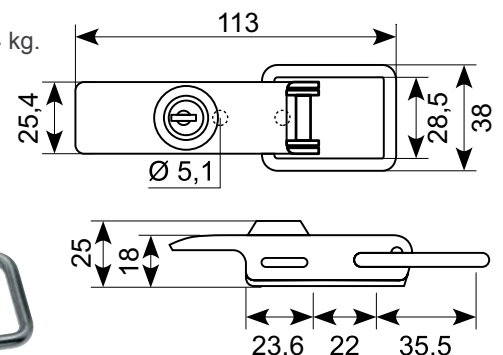
18.02502SS: Rustfri / Stainless

18.03502

18.051058ZN: Galvaniseret / Galvanized

18.051058SS: Rustfri / Stainless

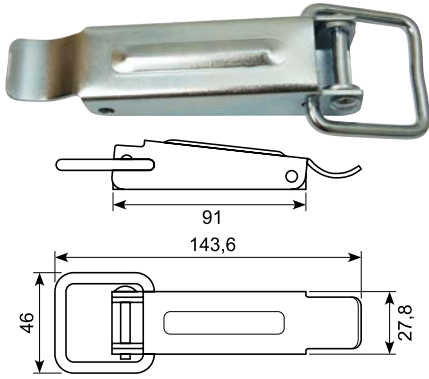
18.061058SS: Rustfri / Stainless



Snaplåse og modhold / Fasteners and catch plates

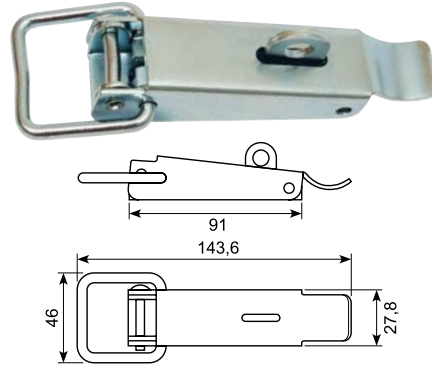
18.122X

Galvaniseret snaplås. Velegnet til låg og kasser.
Galvanized rigid fasteners. Suited for covers and boxes.



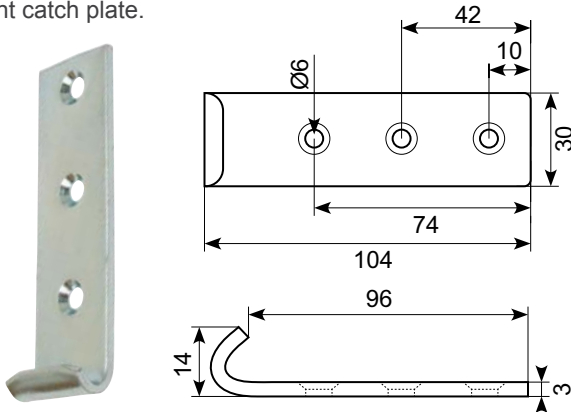
18.122Z

Galvaniseret lukkebeslag med øje til hængelås. Ekskl. hage.
Galvanized rigid fastener without hook. Eye for padlock.



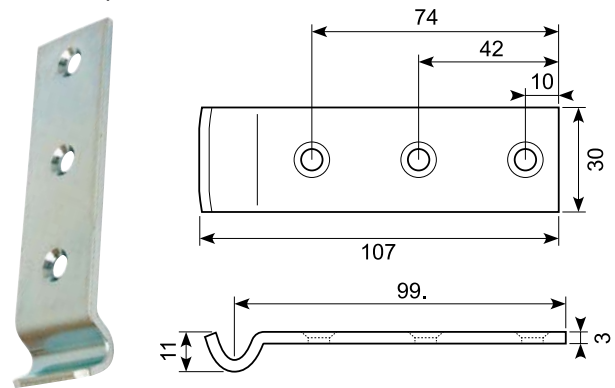
18.122XB

Lige modhold.
Straight catch plate.



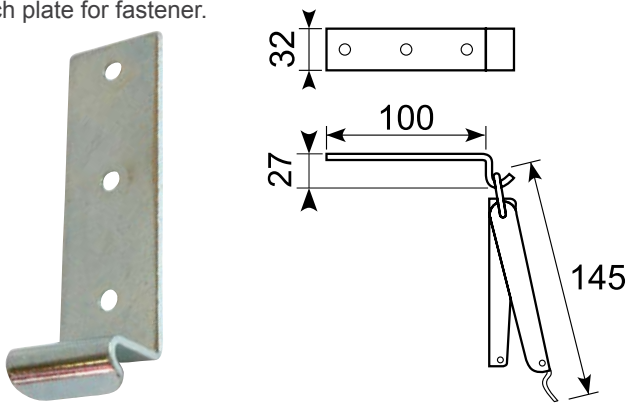
18.122XA

Forkrøbet modhold.
Cranked catch plate.



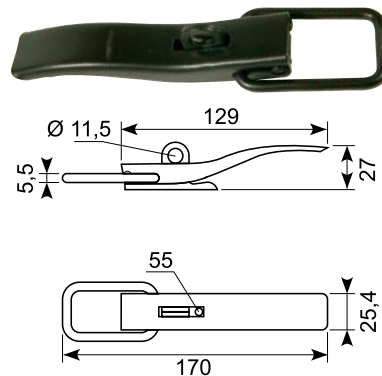
18.122H

Hage til lukkebeslag.
Catch plate for fasteners.



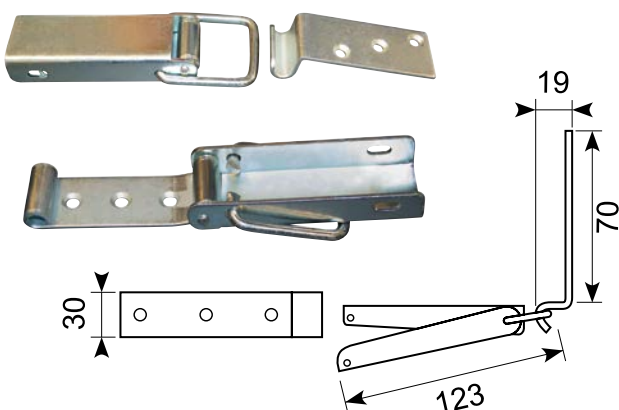
18.165

Sort lakeret aflåselig snaplås. 22 mm.
Black powder coated rigid fastener. 22 mm.



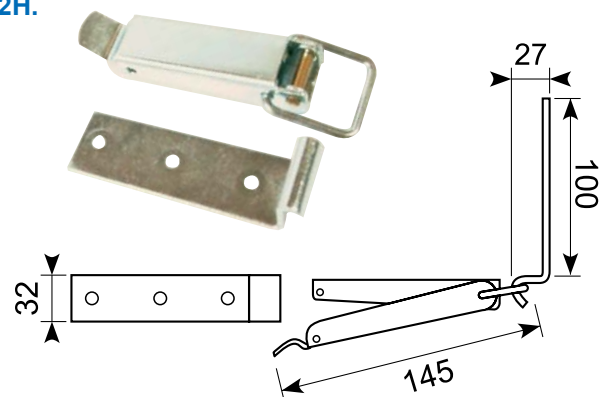
18.122ECO

Galvaniseret lukkebeslag inkl. hage og modhold.
Galvanized rigid fasteners with hook and catch plate.



18.122

Galvaniseret lukkebeslag med hage.
Inkl. modhold 18.122H.
Galvanized rigid fasteners with hook and catch plate 18.122H.



Snaplås og modhold / Fasteners and catch plates

18.701273ZN

Galvaniseret justerbar protex snaplås. Forberedt for sikring med split. Brudstyrke: 660 kg.

Rustfri version: 18.701273SS

Galvanized adjustable rigid fastener, medium duty. Pin seal. Ultimate strength: 660 kg.

Stainless version: 18.701273SS.

Modhold / Catch plate

18.021273

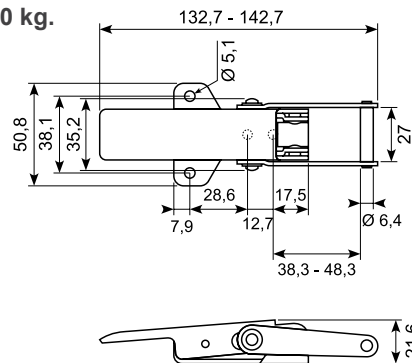
18.011273ZN: Galvaniseret / Galvanized

18.011273SS: Rustfri / Stainless

18.03502

18.06625ZN: 24 mm

18.011273CZN: 24 mm



18.711273CZN

Gul forzinket justerbar protex snaplås med pal uden hage.

Rustfri version: 18.711273SS.

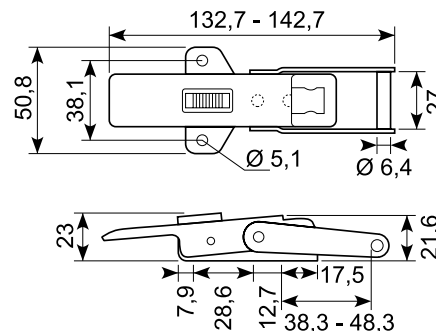
Yellow zinc coated adjustable rigid fastener with hook.

Stainless version: 18.711273SS.

Modhold / Catch plate

18.011273ZN: Galvaniseret / Galvanized

18.011273SS: Rustfri / Stainless



18.71653CZN

Galvaniseret protex snaplås. Til låg eller faldede kanter.

Forberedt for sikring med split. Brudstyrke: 454 kg. 22-24 mm.

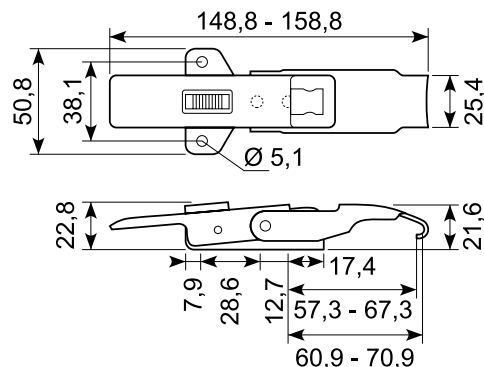
Rustfri version: 18.71653SS

Galvanized adjustable rigid fastener, medium duty.

For lids or flanged edges. Pin seal.

Ultimate strength: 454 kg. 22-24 mm.

Stainless version: 18.71653SS.



18.70653CZN

Galvaniseret justerbar protex snaplås. Til låg eller faldede kanter.

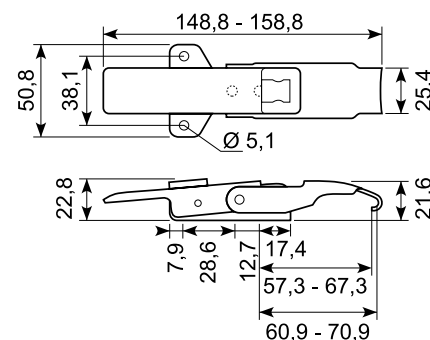
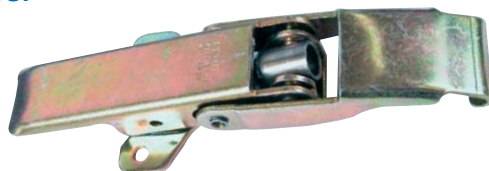
Forberedt for sikring med split. Brudstyrke: 454 kg. 22-24 mm.

Rustfri version: 18.70653SS.

Galvanized adjustable rigid fastener, medium duty. For lids or flanged edges.

Pin seal. Ultimate strength: 454 kg. 22-24 mm.

Stainless version: 18.70653SS.



18.361058SS

Rustfri protex snaplås med lås. Forberedt for sikring med split.

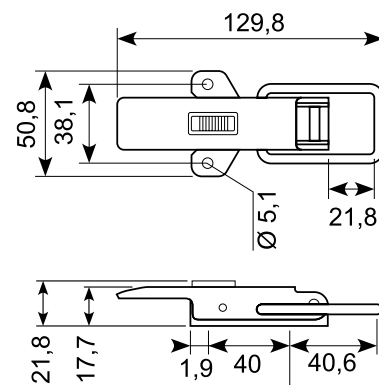
Brudstyrke: 450 kg. 24 mm.

Passer til modhold 18.01502SS / 18.02502SS.

Stainless rigid fastener, medium duty locking. Pin seal.

Ultimate strength: 450 kg. 24mm.

Fits catch plate 18.01502SS / 18.02502SS.

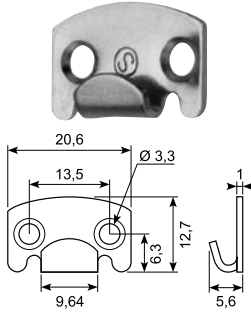


Snaplåse og modhold / Fasteners and catch plates

18.01531SS

Protex hage til planmontage.
Rustfri AISI 304.
Krogbredde: 9,64 mm.

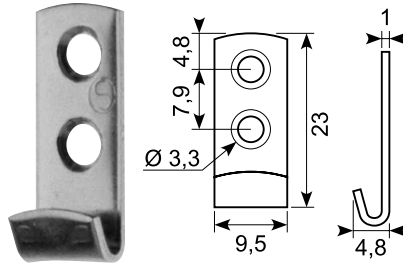
Catch plate for plane mounting.
Stainless AISI 304. Hook width: 9,64 mm.



18.02531NI

Forniklet messing hage til planmontage. Krogbredde: 9,5 mm.
Rustfri: 18.02531SS

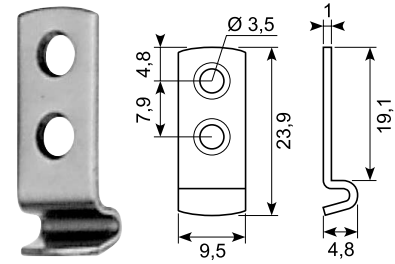
Nickel-plated brass catch plate for plane mounting. Hook width: 9,5 mm.
Stainless: 18.02531SS



18.03531ZN

Protex hage til planmontage.
Forzinket, MS stål.
Krogbredde: 9,5 mm.

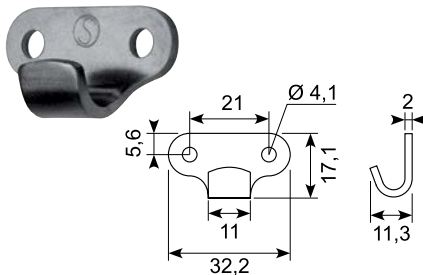
Catch plate for plane mounting.
Zinc plated. Hook width: 9,5 mm.



18.01535SS

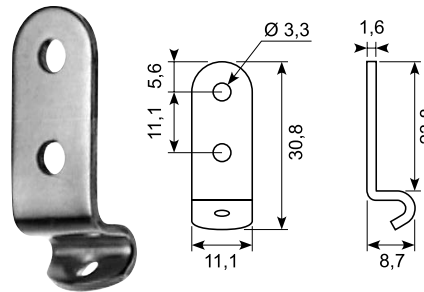
Protex hage til planmontage.
Rustfri AISI 304. Krogbredde: 11 mm.
Galvaniseret model: 18.01535ZN.

Catch plate. Stainless AISI 304.
Hook width: 11 mm.
Zinc plated version: 18.01535ZN.



18.03504SS

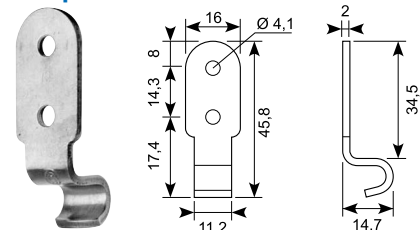
Rustfri hagebeslag til udvendig vinkelmontage. Krogbredde: 11,1 mm.
Stainless catch plate for external angular mounting. Hook width: 11,1 mm.



18.03535SS

Protex hage til udvendig vinkelmontage. Rustfri AISI 304.
Krogbredde: 11,2 mm.
Galvaniseret model: 18.03535ZN.

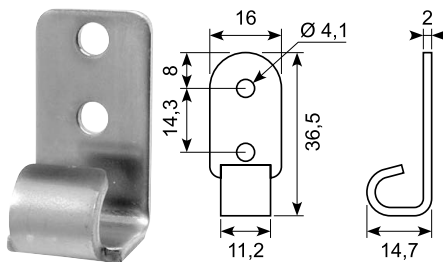
Catch plate for external angular mounting. Stainless AISI 304.
Hook width: 11,2 mm.
Zinc plated version: 18.03535ZN.



18.07535ZN

El-forzinket protex stålhage til indvendig vinkelmontage.
Krogbredde: 11,2 mm.

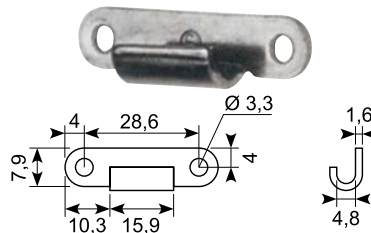
El-zinc plated steel catch plate for internal angular mounting.
Hook width: 11,2 mm.



18.01504SS

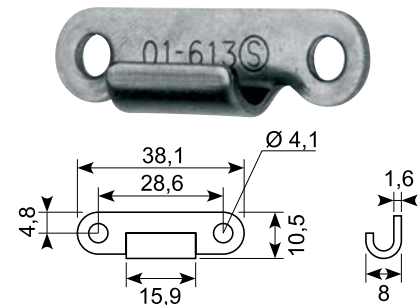
Protex hage til planmontage. Rustfri AISI 304. Krogbredde: 15,9 mm.
Model i EL-forzinket stål: 18.01504.

Catch plate. Stainless AISI 304.
Hook width: 15,9 mm.
Electric galvanized version: 18.01504.



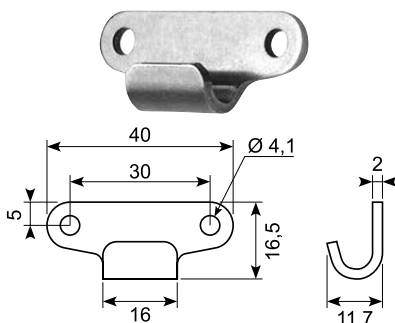
18.01613ZN

Protex hage i el-forzinket stål. Til planmontage. Krogbredde: 15,9 mm.
Catch plate. El-zinc plated, steel.
Hook width: 15,9 mm.



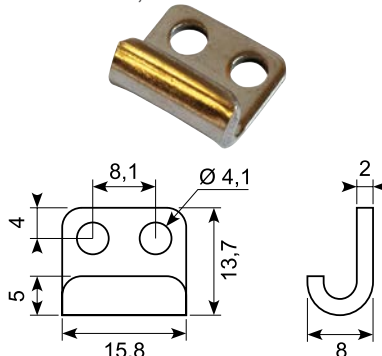
18.001600CLR

El-forzinket gul protex hage til planmontage. Krogbredde: 16 mm.
El-zinc plated yellow catch plate for plane mounting.
Hook width: 16 mm.



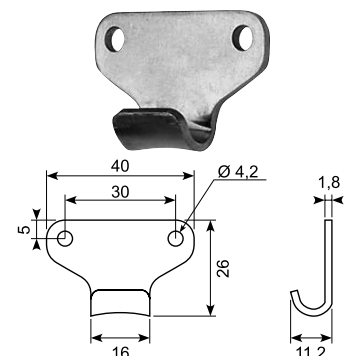
18.015000SS

Rustfri Protex hage for planmontage. Krogbredde: 15,8 mm.
Stainless catch plate for plane mounting.
Hook width: 15,8 mm.



18.01655SS

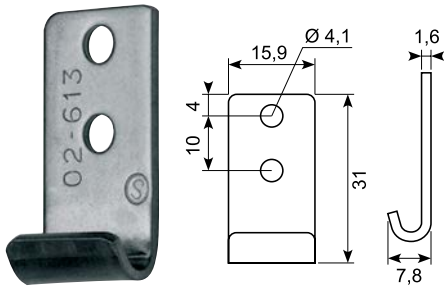
Hage til planmontage. Rustfri AISI 304. Krogbredde: 16 mm.
Catch plate for plane mounting.
Stainless AISI 304. Hook width: 16 mm.



Snaplåse og modhold / Fasteners and catch plates

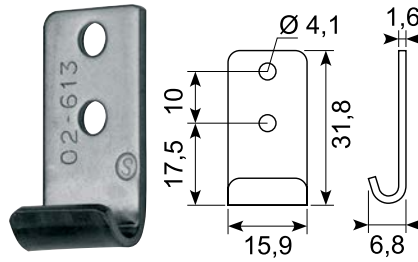
18.02613ZN

El-forzinket protex stålhage til planmontage. Krogbredde: 15,9 mm.
El-zinc plated catch plate for plane mounting. Hook width: 15,9 mm.



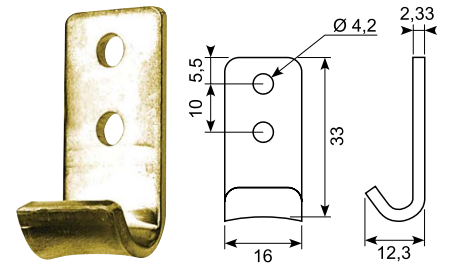
18.02633SS

Rustfri hage til planmontage. Krogbredde: 15,9 mm.
Galvaniseret model: **18.02633**.
Stainless catch plate for plane mounting. Hook width: 15,9 mm.
Zinc plated version: **18.02633**



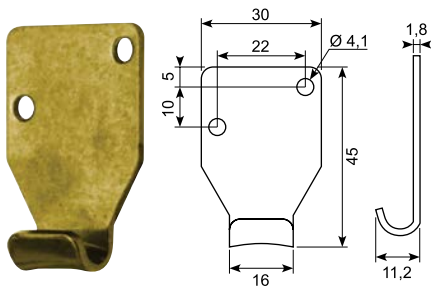
18.02655SS

Protex hage til planmontage. Rustfri AISI 304. Krogbredde: 16 mm.
Catch plate for plane mounting. Stainless AISI 304. Hook width: 16 mm.



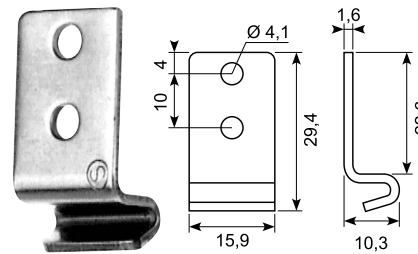
18.05655ZN

El-forzinket gul stålhage til planmontage. Krogbredde: 16 mm.
El-zinc plated yellow steel catch plate for plane mounting. Hook width: 16 mm.



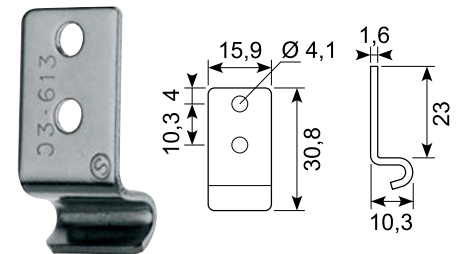
18.03633SS

Protex hage til udvendig vinkelmontage. Rustfri AISI 304. Krogbredde: 15,9 mm.
Catch plate for external angular mounting. Stainless AISI 304. Hook width: 15,9 mm.



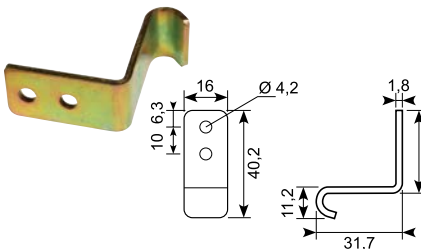
18.03613ZN

El-forzinket protex stålhage til udvendig vinkelmontage. Krogbredde: 15,9 mm.
El-zinc plated steel catch plate for external angular mounting. Hook width: 15,9 mm.



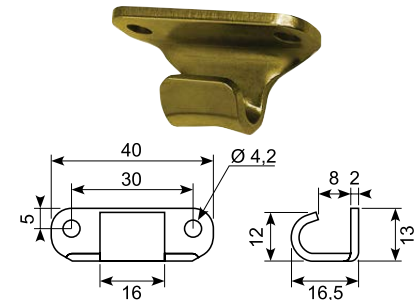
18.03655SS

Protex hage til udvendig vinkelmontage. Rustfri AISI 304. Krogbredde: 16 mm.
Gul zink model: **18.03655ZN**.
Catch plate for external angular mounting. Stainless AISI 304. Hook width 16 mm.
Yellow zink version: **18.03655ZN**.



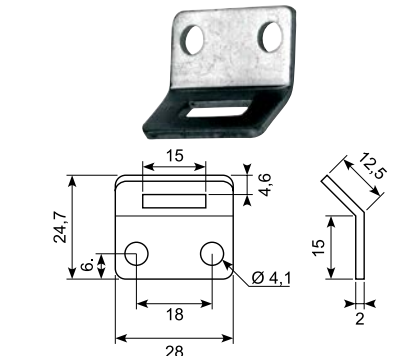
18.007655ZN

El-forzinket gul protex stålhage til indvendig vinkelmontage. Krogbredde: 16 mm.
El-zinc plated yellow steel catch plate for internal angular mounting. Hook width: 16 mm.



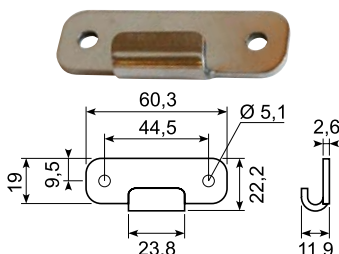
18.042150SS

Protex hage til planmontering. Rustfri AISI 304. Krogbredde: 15 mm.
Catch plate for plane mounting. Stainless AISI 304. Hook width: 15 mm.



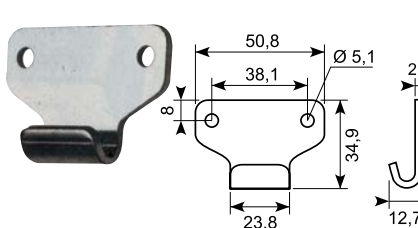
18.01502SS

Protex hage til planmontage. Rustfri AISI 304. Krogbredde: 23,8 mm.
Galvaniseret model: **18.01502ZN**
Catch plate for plane mounting. Stainless AISI 304. Hook width: 23,8 mm.
Zinc plated version: **18.01502ZN**



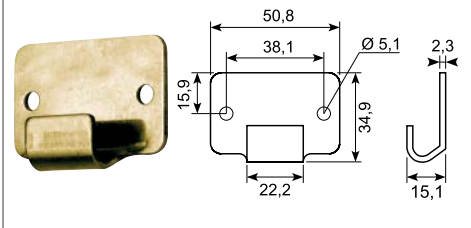
18.051058SS

Protex hage til planmontage. Rustfri AISI 304. Krogbredde: 23,8 mm.
Galvaniseret model: **18.051058ZN**
Catch plate for plane mounting. Stainless AISI 304. Hook width: 23,8 mm.
Zinc plated version: **18.051058ZN**



18.011273SS

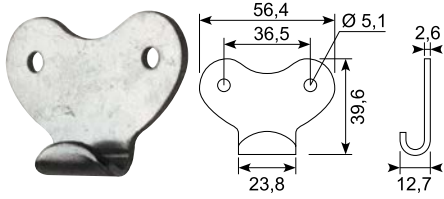
Protex hage til planmontage. Rustfri AISI 304. Krogbredde: 22,2 mm.
Gul zink model: **18.011273ZN**
Catch plate for plane mounting. Stainless AISI 304. Hook width 22,2 mm.
Yellow zink version: **18.011273ZN**



Snaplåse og modhold / Fasteners and catch plates

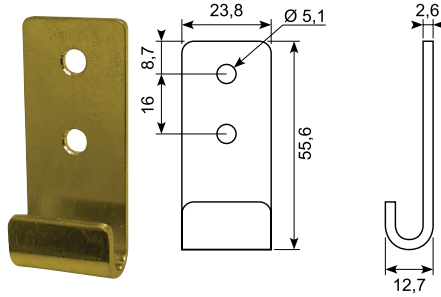
18.05502SS

Hjerteformet hage til planmontage.
Rustfri AISI 304.
Krogbredde: 23,8 mm.
Galvaniseret model: 18.05502ZN
Catch plate for plane mounting.
Stainless AISI 304. Hook width: 23,8 mm.
Zinc plated version: 18.05502ZN.



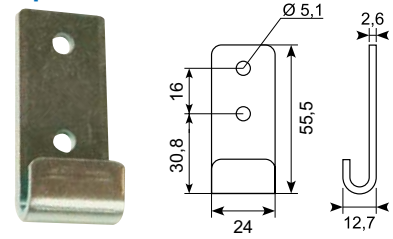
18.021273ZN

El-forzinket gul protex stålhage til planmontage. Krogbredde: 23,5 mm.
El-zinc plated yellow steel catch plate for plane mounting. Hook width: 23,5 mm.



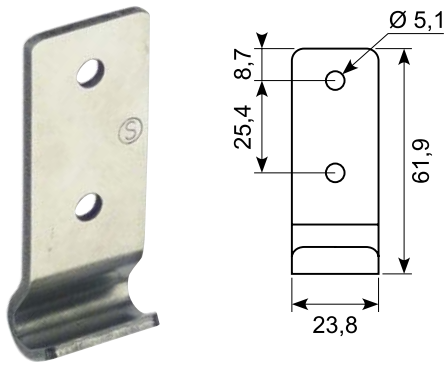
18.021260SS

Protex hage til planmontage.
Rustfri AISI 304.
Krogbredde: 23,8 mm.
Galvaniseret model: 18.021260ZN.
Catch plate for plane mounting.
Stainless AISI 304.
Hook width: 23,8 mm.
Zinc plated version 18.021260ZN.



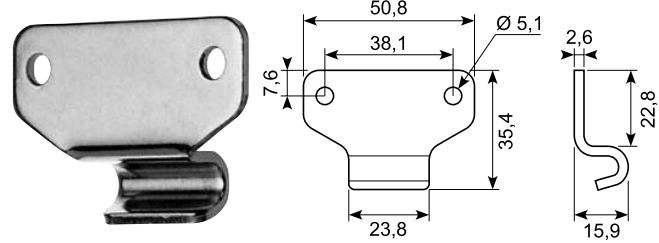
18.08502ZN

El-forzinket stålhage for planmontage.
Krogbredde: 23,8 mm.
El-zinc coated steel catch plate for plane mounting.
Hook width: 23,8 mm.



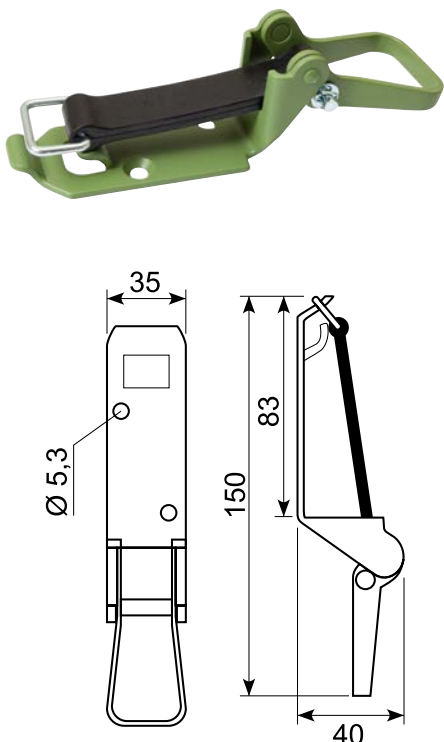
18.061058SS

Protex hage til udvendig vinkelmontage. Rustfri AISI 304.
Krogbredde: 23,8 mm.
Galvaniseret model: 18.061058.
Catch plate for external angular mounting. Stainless AISI 304.
Hook width: 23,8 mm.
Zinc plated version: 18.061058.



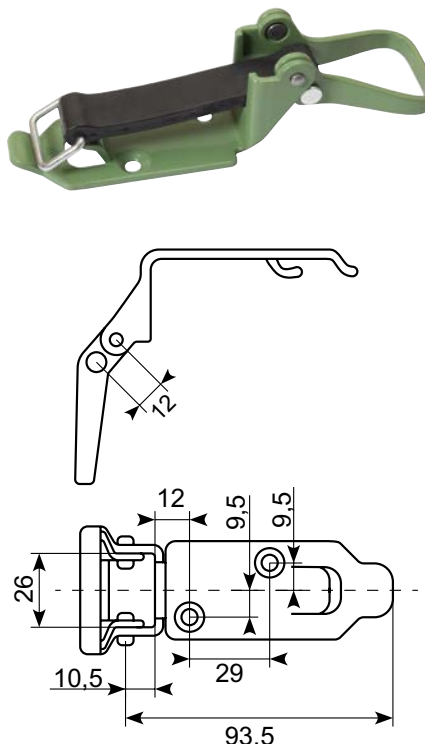
18.109

Snaplås med gummistrop. Army-grøn lakeret jern.
Rigid fasteners with rubber tension strap.
Green primed steel.



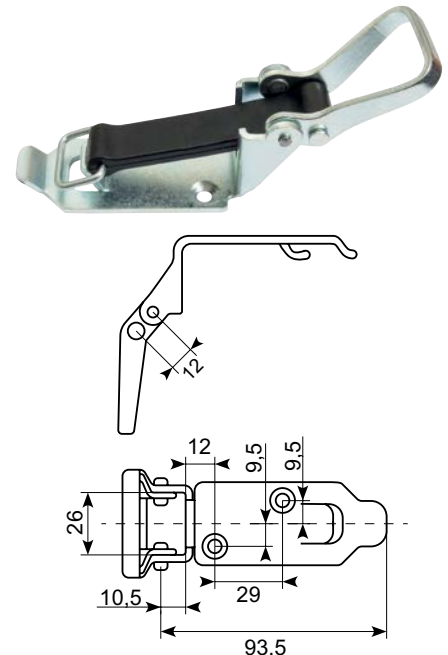
18.109XG

Grøn kina lukkebeslag med gummistrop.
Green china-fastener with rubber tension strap.



18.109X

Galvaniseret lukkebeslag med gummistrop.
Galvanized fastener with rubber tension strap.



18.109X-1

Reservedel: Løs gummistrop med ring
Sparepart: Rubber tension strap with ring

● Godt køb / Best buy