



BIBUS SINDBY PROFILES 6

Gummi til industri- og autobranchen

Hos BIBUS SINDBY A/S har vi beskæftiget os med gummiprofiler, kantlister, svampegummi og gummimåtter i over 100 år. Vi har således en solid erfaring på området og besvarer gerne spørgsmål vedr. kemisk modstandsdygtighed, UV-belastning, hårdhedsområde, trækstyrke, brudforlængelse, maks. temperaturområde, slidstyrke, bestandighed osv.

Alle profiler/gummiplader er lagervarer, hvis ikke andet er opgivet.
Specialprofiler leveres efter ordre.

Vi løser næsten alle opgaver - spørg os og få løsningen.

Note

Tegningerne i dette katalog er ikke målfaste. Visse profiler i dette katalog lagerføres ikke men hjemtages kun på bestilling og ud fra mængde.
Afklippede profiler tages ikke retur. Alle mål er i mm, hvis ikke andet er opgivet.

Rubber for industry and automotive sector

At BIBUS SINDBY A/S we have been working with rubber profiles, edge profiles, sponge rubber and rubber plates for more than 100 years. We therefore have a thorough knowlegde in this area and are always at your disposal if you have questions concerning chemical resistance, UV impact, hardness, tractive power, elongation at break, max. temperature range, resistance, constancy etc.

All profiles / rubber plates in the catalogue are stock items unless otherwise stated.
Special profiles can be supplied to order.

We can offer our assistance in all kinds of projects - ask us and we will find a solution.

Note

The drawings in this catalouge are not fixed. Certain profiles in this catalogue are not in stock and are only stocked on order. Profiles which are cut off cannot be returned.
Alle measures are in mm unless otherwise stated.



Keld Asp Hansen
Adm. direktør
Managing Director

Indhold

1	Kantlister / Edge trims	4
2	Silikonekantlister / Silicone edge trims	17
3	POM-profiler / POM edge trims	20
4	Gummisnor / Rubber cord profiles	22
5	Specialprofiler / Special profiles	24
6	Skaffevarer - Silikoneprofiler / Special order - Silicone profiles	36
7	Co-ekstruderede plastprofiler / Co-extruded plastic profiles	41
8	U-profiler / U-profiles	45
9	P-profiler / P-profiles	51
10	Rudeprofiler / Glazing sections	54
11	Låsekiler / Filler strips	58
12	Svampegummi / Sponge rubber	60
13	Glasbånd / Window seals	70
14	Cellegummi / Cellular rubber	72
15	Fenderlister / Fender lists	74
16	Sico Trim / Sico Trim	78
17	Gummibuffer / Rubber buffer	82
18	Vibrationsdæmpere / Vibration muffler	89
19	Fendere / Fenders	95
20	Børste- og flocklister / Brush sections	101
21	Lydisolering / Soundproofing	105
22	Kina-gummiplader / Rubber sheets from China	109
23	Gummimåtter / Rubber mats	118
24	Gummistropper / Rubber straps	126
25	Bumpers / Bumpers	129
26	Poliall / Poliall	131
27	Oppustelige tætninger / Inflatable seals	133
28	Portslusere og tilbehør / Dock shelters	136
29	Tilbehør / Equipment	141
30	Egenskaber / Properties	144
31	Varenummerindeks / Product number index	146

Kantlister

Edge trims

Hjørner og kanter er ofte udsat for ekstra slitage og stød. Derfor kan det være en stor fordel at anvende kantlister produceret i gummi.

Kantlister bruges i dørkanter, trucks, rundt om vinduer, til stole, motordele, kabinetter mm.

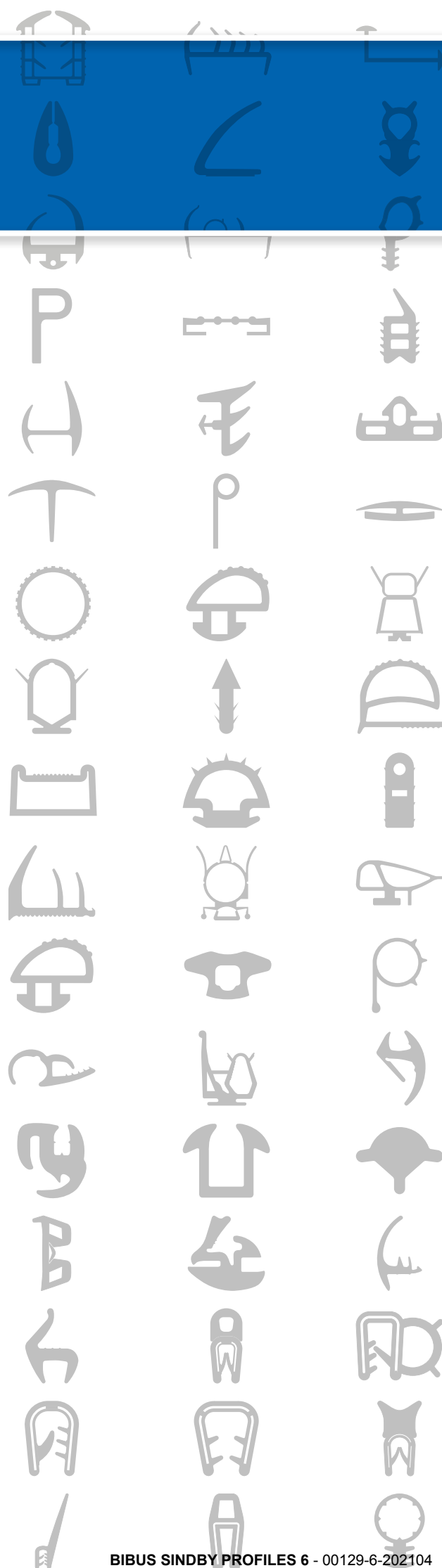
Vi har mange forskellige lister på lager, som hver især er specificeret i forhold til type, kvalitet, med og uden ballon osv. Hvis vi ikke har produktet på lager, kan vi også levere specialprofiler på bestilling. Vi er derfor stolte af at sige, at vi kan løse næsten alle typer opgaver.

Med det store udvalg følger naturligvis en stor viden, som vi gerne deler ud af, skulle du have brug for det. Vi kan hjælpe dig omkring dit valg og kan besvare spørgsmål om stort set alt vedrørende vores kantlister.

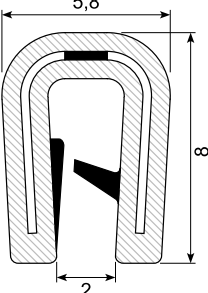
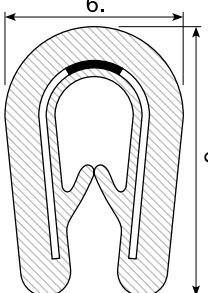
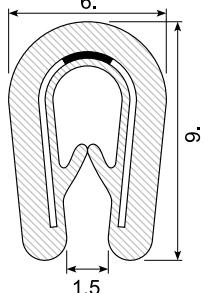
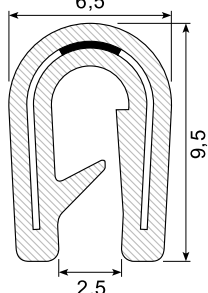
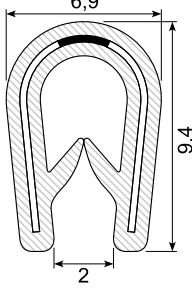
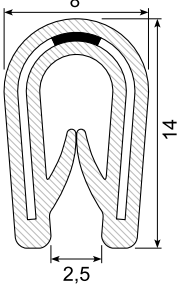
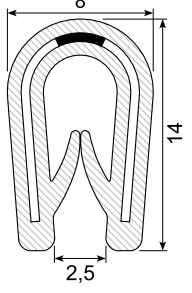
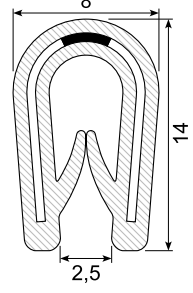
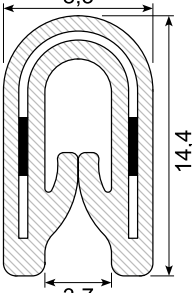
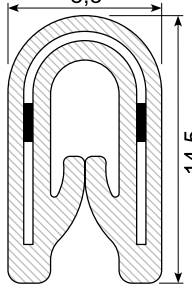
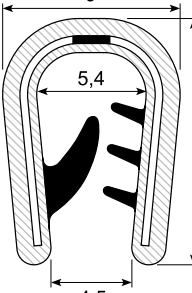
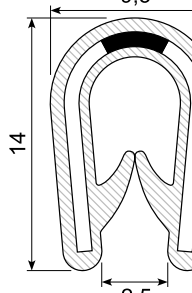
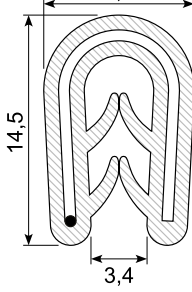
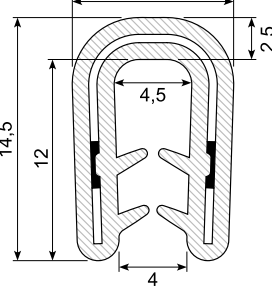
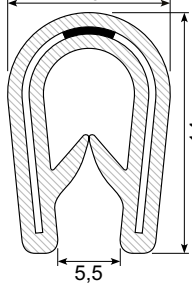
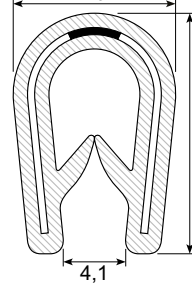
Corners and edges are often exposed to additional wear and tear and bumps. Therefore, it can be a great advantage to use edge trims made of rubber. Edge trims are used in door edges, trucks, around windows, for chairs, engine parts, cabinets, etc.

We have many different edgetrim in stock, each one with specific characteristics in terms of type, quality, with and without balloon, etc. If we do not have the product in stock, we can supply special profiles on order. Therefore, we are also proud to say that we can solve all kinds of tasks.

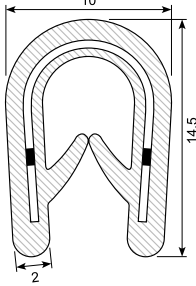
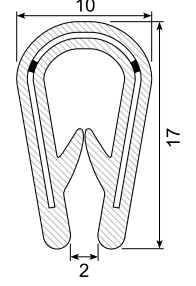
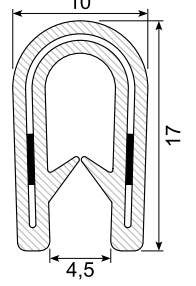
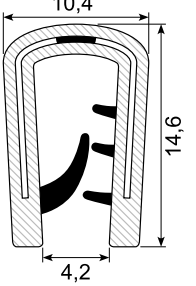
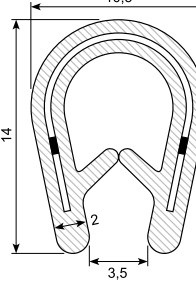
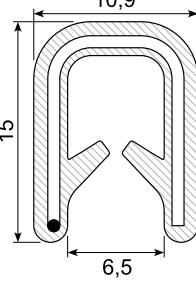
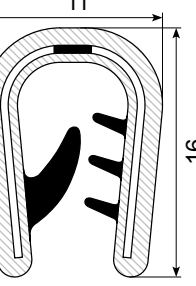
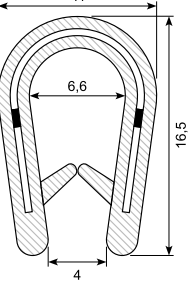
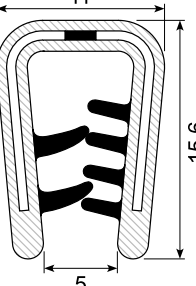
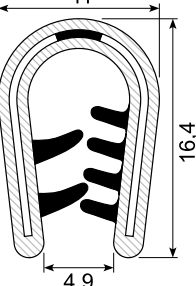
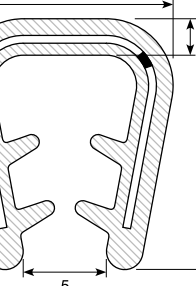
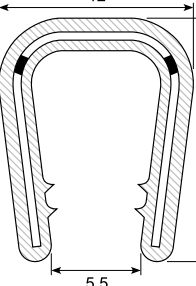
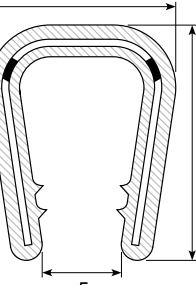
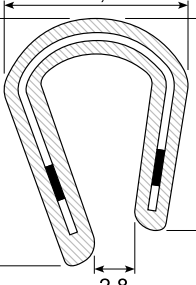
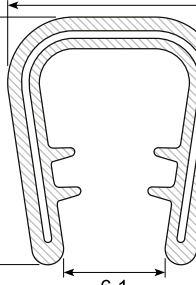
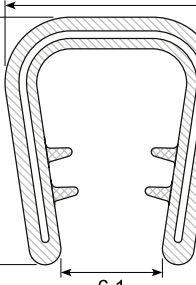
Having large range of products also requires us to be knowledgeable, and if needed we are happy to share this knowledge with you. We can help you with your choice and answer any questions you might have concerning edge trims in our range.



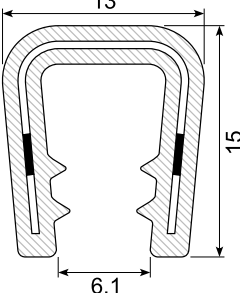
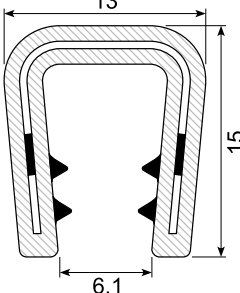
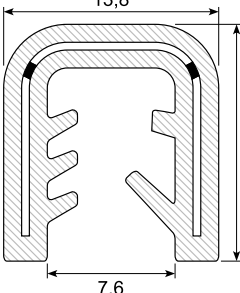
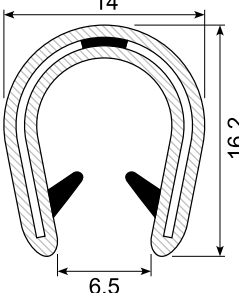
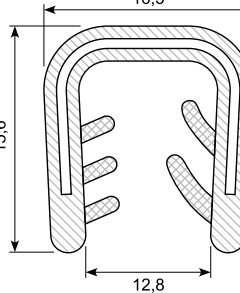
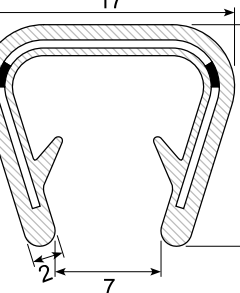
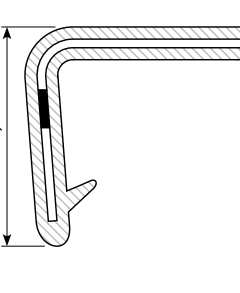
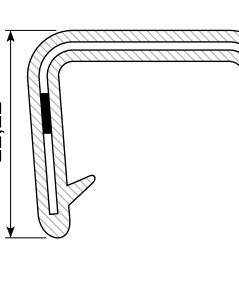
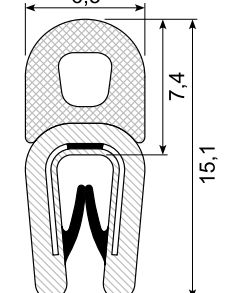
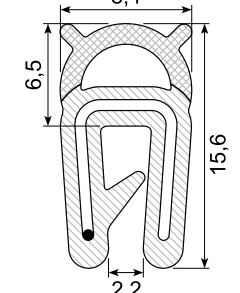
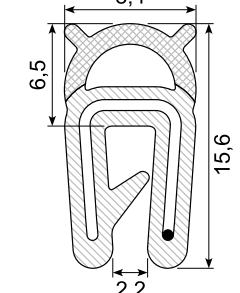
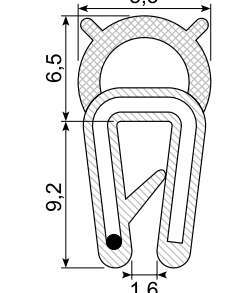
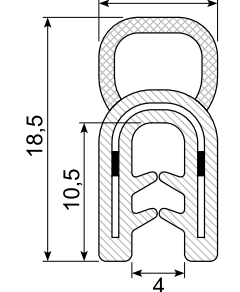
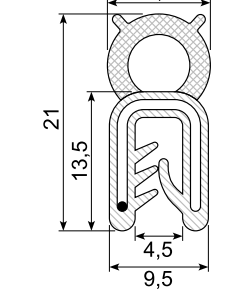
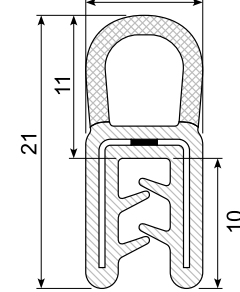
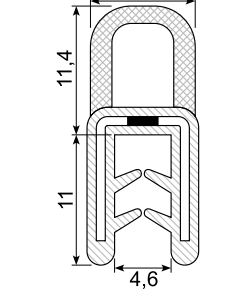
Kantlister / Edge trims

<p>33.306</p>  <p>Edge trim: PVC, black + bi Grip range: 1 - 2 mm Hardness: SH 75 / 65 Insert: 15 x 0,3 mm steel</p>	<p>33.409F</p>  <p>Edge trim: EPDM Grip range: 1 - 2 mm Hardness: SH 60 Insert: Steel Flame retardent EN 45545</p>	<p>33.409 / 33.401G</p>  <p>Edge trim: PVC, black / grey Grip range: 1 - 2 mm Hardness: SH 78 Insert: 16 x 0,3 mm steel 33.401G: Grey</p>	<p>33.307A</p>  <p>Edge trim: PVC, black Grip range: 1 - 2 mm Hardness: SH 75 Insert: 17,5 x 0,3 mm steel On cardboard coil</p>
<p>33.410X / 33.410XG</p>  <p>Edge trim: PVC, black / grey Grip range: 1 - 2 mm Hardness: SH 75 Insert: 17,5 x 0,3 mm steel 33.410XG: Grey</p>	<p>33.310X</p>  <p>Edge trim: PVC, black Grip range: 1 - 3 mm Hardness: SH 75 Insert: 26 x 0,47 mm steel</p>	<p>33.310SS</p>  <p>Edge trim: PVC, black Grip range: 1 - 2,5 mm Hardness: SH 70 - 75 Insert: 26 x 0,5 mm Stainless Steel SS 304</p>	<p>33.310SS-316</p>  <p>Edge trim: PVC, black Grip range: 1 - 2,5 mm Hardness: SH 70 - 75 Insert: 26 x 0,5 mm Stainless Steel SS 316 Acid-proof</p>
<p>33.422</p>  <p>Edge trim: TPE, flexible Grip range: 1 - 2,5 mm Hardness: SH 82 Insert: 25 x 0,48 mm steel</p>	<p>33.309XM</p>  <p>Edge trim: PVC, mokka brown Grip range: 1 - 2,5 mm Hardness: SH 78 Insert: Steel Special offer</p>	<p>33.418SS</p>  <p>Edge trim: PVC, black + bi Grip range: 1,5 - 3 mm Hardness: SH 78 / 78 Insert: 26 x 0,5 mm Stainless 304 steel</p>	<p>33.308A</p>  <p>Edge trim: PVC, black Grip range: 1 - 4 mm Hardness: SH 75 Insert: 26 x 0,47 mm steel On cardboard coil</p>
<p>33.432</p>  <p>Edge trim: EPDM Grip range: 1 - 3 mm Hardness: SH 65 Insert: 27 mm wire</p>	<p>33.438</p>  <p>Edge trim: EPDM Grip range: 1,5 - 3,5 mm Hardness: SH 65 Insert: 29 x 0,5 mm steel</p>	<p>33.420X</p>  <p>Edge trim: PVC, black Grip range: 1 - 4 mm Hardness: SH 75 Insert: 27 x 0,47 mm steel</p>	<p>33.420H</p>  <p>Edge trim: PVC, white Grip range: 1 - 4 mm</p>

Kantlister / Edge trims

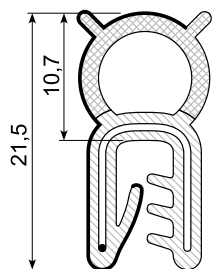
<p>33.420F</p>  <p>Edge trim: EPDM Grip range: 1,0 - 3,0 mm Hardness: SH 65 Insert: 26 x 0,5 mm steel Flame retardant ref. NNF 16101 (Certificate valid only 2016)</p>	<p>33.419</p>  <p>Edge trim: PVC, black Grip range: 1,0 - 4,0 mm Hardness: SH 78 Insert: 31 x 0,5 mm steel</p>	<p>33.411</p>  <p>Edge trim: PVC, grey Grip range: 2,5 - 4,0 mm Hardness: SH 78 Insert: 29 x 0,48 mm steel</p>	<p>33.418X</p>  <p>Edge trim: PVC, black + bi Grip range: 2,0 - 5,0 mm Hardness: SH 75 / 75 Insert: 26 x 0,47 mm steel White lips</p>
<p>33.420FX</p>  <p>Edge trim: EPDM Grip range: 1,0 - 3,0 mm Hardness: SH 60 Insert: 26 x 0,5 mm steel Flame retardant EN 45545 Min. 1.000 m or upon request</p>	<p>33.434</p>  <p>Edge trim: EPDM Grip range: 2,0 - 4,0 mm Hardness: SH 65 Insert: 30 mm wire</p>	<p>33.414</p>  <p>Edge trim: PVC, black + bi Grip range: 4,0 - 6,0 mm Hardness: SH 78 / 57 Insert: 31 x 0,5 mm steel</p>	<p>33.419A</p>  <p>Edge trim: PVC, black Grip range: 2,0 - 4,0 mm Hardness: SH 75 Insert: 30 x 0,5 mm steel</p>
<p>33.427X</p>  <p>Edge trim: PVC, black + bi Grip range: 1,5 - 4,5 mm Hardness: SH 75 / 75 Insert: 30 x 0,47 mm steel Yellow lips</p>	<p>33.094X</p>  <p>Edge trim: PVC, black + bi Grip range: 1,0 - 4,0 mm Hardness: SH 75 / 75 Insert: 30 x 0,47 mm steel Yellow lips</p>	<p>33.435X</p>  <p>Edge trim: EPDM Grip range: 5,0 - 8,0 mm Hardness: SH 70 Insert: 31 x 0,5 mm steel</p>	<p>33.1153A</p>  <p>Edge trim: PVC, black Grip range: 6,0 - 8,0 mm Hardness: SH 78 Insert: 32 mm steel</p>
<p>33.1153GA</p>  <p>Edge trim: PVC, grey Grip range: 6,0 - 8,0 mm Hardness: SH 78 Insert: 32 mm steel</p>	<p>33.415</p>  <p>Edge trim: PVC, black Grip range: 5,0 - 7,0 mm Hardness: SH 78 Insert: 29 x 0,48 mm steel</p>	<p>33.426XA</p>  <p>Edge trim: PVC, black Hardness: SH 78 Grip range: 4,5 - 7,0 mm Insert: 32 mm Min. order: 1.000 m</p>	<p>33.426A / 33.426GA</p>  <p>Edge trim: PVC, black, grey / grey + bi Hardness: SH 78 / 65 Grip range: 4,5 - 7,0 mm Insert: 32 mm 33.426GA: Grey Min. order: 1.000 m</p>

Kantlister / Edge trims

<p>33.426X</p>  <p>Edge trim: PVC, black Grip range: 4,5 - 7,0 mm Hardness: SH 75 Insert: 30 x 0,8 mm steel</p>	<p>33.426</p>  <p>Edge trim: PVC, black + bi Grip range: 4,5 - 7,0 mm Hardness: SH 78 / 65 Insert: 29 x 0,48 mm steel</p>	<p>33.433</p>  <p>Edge trim: EPDM Grip range: 4,0 - 6,0 mm Hardness: SH 70 Insert: 33 x 0,47 mm steel</p>	<p>33.1154</p>  <p>Edge trim: PVC, black Grip range: 6,0 - 8,0 mm Hardness: SH 75 / 75 White lips</p>
<p>33.430</p>  <p>Edge trim: PVC, black + bi Grip range: 10,0-12,0 mm (9-11 mm) Hardness: SH 75 / 57 Insert: 36 x 0,5 steel</p>	<p>33.428 / 33.428G</p>  <p>Edge trim: PVC, black / grey + bi Grip range: 10,0 - 12,0 mm Hardness: SH 78 Insert: 36 x 0,5 mm steel 33.428G: Grey</p>	<p>33.1155</p>  <p>Edge trim: PVC, black Grip range: 15,0 - 16,0 mm Hardness: SH 85 Insert: Steel</p>	<p>33.1156</p>  <p>Edge trim: PVC, black Grip range: 18,0 - 19,0 mm Hardness: SH 85 Insert: Steel</p>
<p>33.354</p>  <p>Edge trim: PVC, black +bi / sponge rubber Grip range: 1,0 - 2,0 mm Hardness: SH 78 / 57 / density 0,55 Insert: 16 x 0,3 mm steel</p>	<p>33.468F</p>  <p>Edge trim: EPDM co-ex Grip range: 1,0 - 2,0 mm Hardness: SH 60 / density 0,8 Insert: 22 x 0,75 mm wire Flame retardant EN 45545</p>	<p>33.468X</p>  <p>Edge trim: EPDM co-ex Grip range: 1,0 - 2,0 mm Hardness: SH 60 / density 0,55 Insert: 22 x 0,75 mm wire</p>	<p>33.468B</p>  <p>Edge trim: EPDM co-ex Grip range: 1,0 - 2,0 mm Hardness: SH 70 / density 0,55 Insert: 22 mm wire</p>
<p>33.358C</p>  <p>Edge trim: EPDM co-ex Grip range: 0,8 - 2,5 mm Hardness: SH 65 Insert: 25 x 0,5 mm steel Min. order: 3.000 m</p>	<p>33.021</p>  <p>Edge trim: EPDM co-ex Grip range: 0,8 - 2,0 mm Hardness: SH 70 / density 0,55 Insert: 25 mm wire</p>	<p>33.358X</p>  <p>Edge trim: EPDM co-ex Grip range: 1,0 - 2,5 mm Hardness: SH 70 / density 0,55 Insert: 26 x 0,5 mm, unbroken</p>	<p>33.358B</p>  <p>Edge trim: EPDM co-ex Grip range: 1,0 - 3,0 mm Hardness: SH 70 / density 0,55 Insert: 27 mm</p>

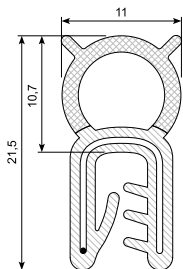
Kantlister / Edge trims

33.371E EMV - EMC - EMI *



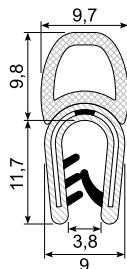
Edge trim: EPDM co-ex
Grip range: 1,0 - 3,0 mm
Hardness: SH 70 / density 0,55
Insert: Wire
Electromagnetic compatibility.
On demand

33.371F *



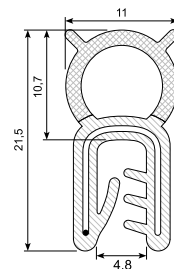
Edge trim: EPDM co-ex
Grip range: 1,0 - 3,0 mm
Hardness: SH 65 / density 0,6
Insert: 26 x 0,75 mm wire
Flame retardant ref. NNF 16101
(Certificate valid only 2016)
Min. order 4.000 m

33.469X



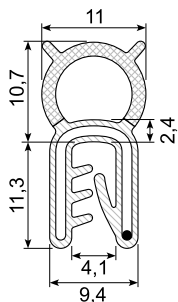
Edge trim: PVC, black +bi /
sponge rubber
Grip range: 1,5 - 3,5 mm
Hardness: SH 75 / 63 /
density 0,6 - 0,85
Insert: 26 x 0,47 mm steel

33.371FX



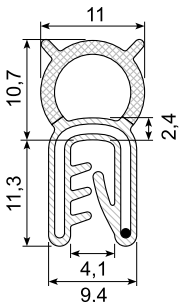
Edge trim: EPDM co-ex
Grip range: 1,0 - 3,0 mm
Hardness: SH 60 / density 0,8
Insert: 26 x 0,75 mm wire
Flame retardant EN 45545

33.371X



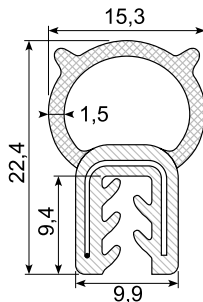
Edge trim: EPDM co-ex
Grip range: 1,0 - 3,5 mm (1 - 3 mm)
Hardness: SH 70 / density 0,55
Insert: 27 mm wire

33.370NBR



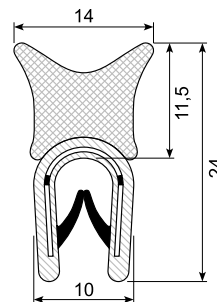
Edge trim: NBR co-ex
Grip range: 1,0 - 3,0 mm
Hardness: SH 70 / density 0,55
Insert: Wire
Oil resistant

33.369



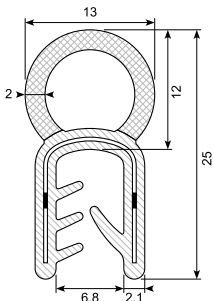
Edge trim: EPDM co-ex
Grip range: 2,0 - 4,0 mm
Hardness: SH 65 / density 0,6
Insert: Wire

33.481



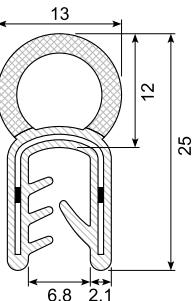
Edge trim: PVC, black +bi /
spongerubber
Grip range: 1,0 - 4,0 mm
Hardness: SH 57 / 78 / density 0,55
Insert: Steel

33.353NBR *



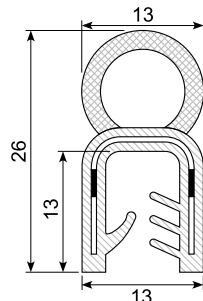
Edge trim: NBR co-ex
Grip range: 3,0 - 4,0 mm
Hardness: SH 70 / density 0,55
Insert: 31 x 0,5 mm
Oil resistant
Min. order: 3.000 m

33.353S *



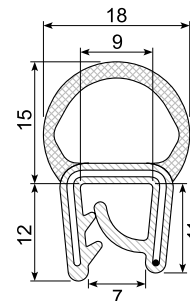
Edge trim: EPDM co-ex
Grip range: 3,0 - 4,0 mm
Hardness: SH 65 / density 0,6
Insert: 31 x 0,5 mm steel
Min. order: 6.000 m

33.353



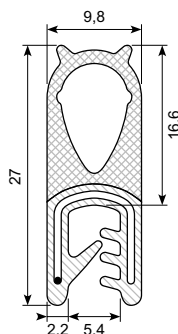
Edge trim: EPDM co-ex
Grip range: 3,0 - 5,0 mm
Hardness: SH 65 / density 0,6
Insert: 32 mm steel

33.352



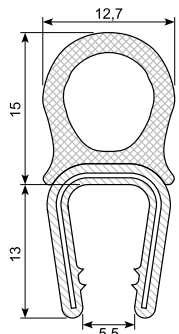
Edge trim: EPDM co-ex
Grip range: 5,0 - 6,0 mm
Hardness: SH 78 / density 0,6
Insert: 31 x 0,5 mm

33.362FX



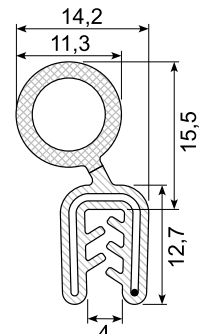
Edge trim: EPDM co-ex
Grip range: 1,0 - 3,5 mm
Hardness: SH 60 / density 0,8
Insert: 26 x 0,75 mm wire
Flame retardant EN 45545

33.357X



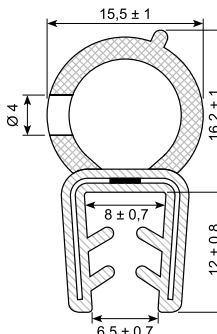
Edge trim: PVC, black /
sponge rubber
Grip range: 5,0 - 7,0 mm
Hardness: SH 78 / density 0,6
Insert: 31 x 0,5 mm

33.359X



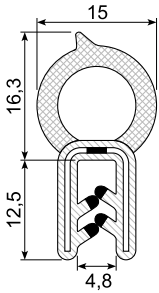
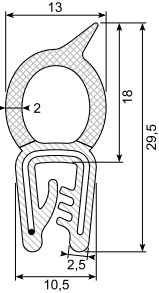
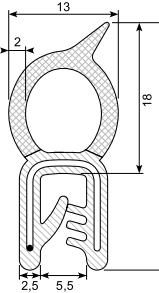
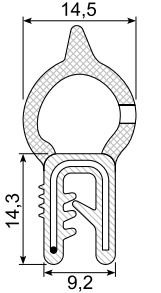
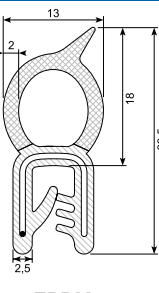
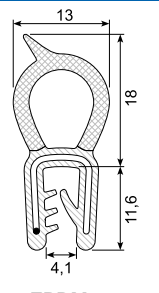
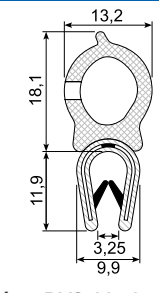
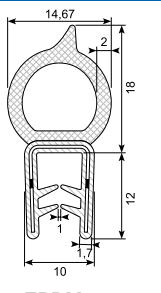
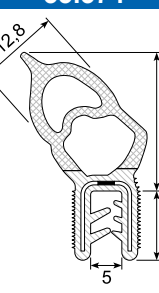
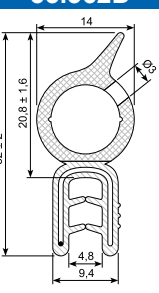
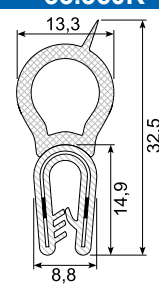
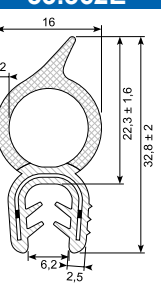
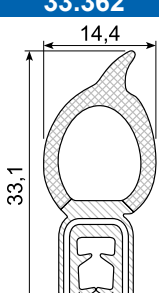
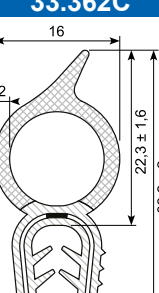
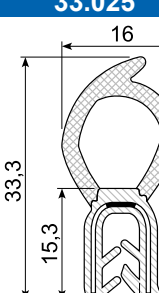
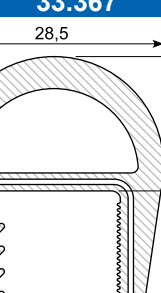
Edge trim: EPDM co-ex
Grip range: 1,5 - 4,0 mm
Hardness: SH 70 /
density 0,6 - 0,85
Insert: 25 wire

33.353X

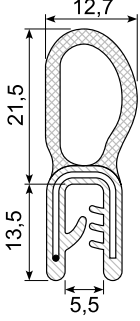
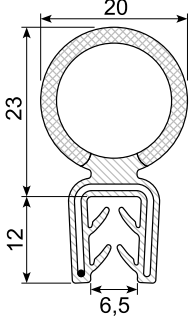
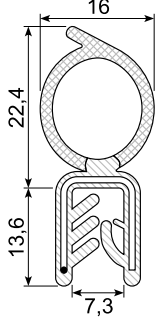
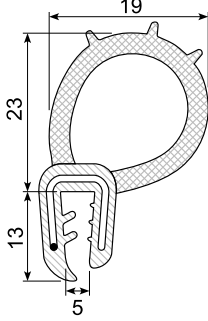
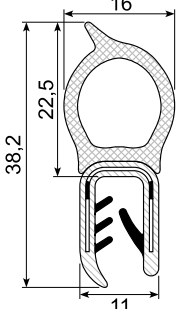
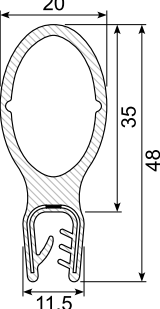
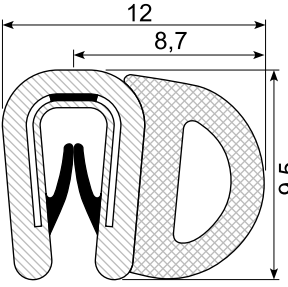
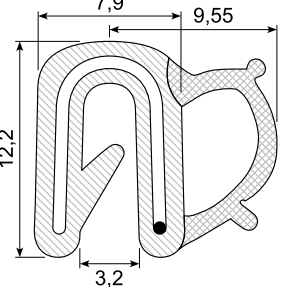
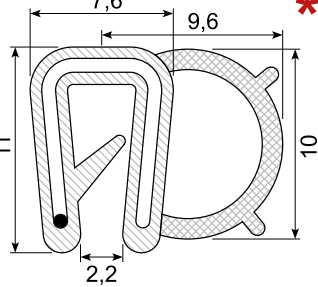
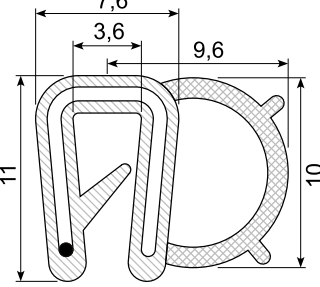
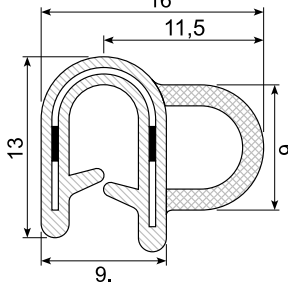
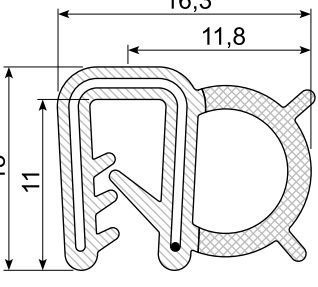
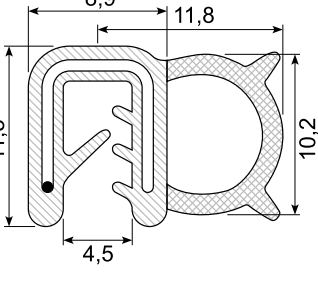
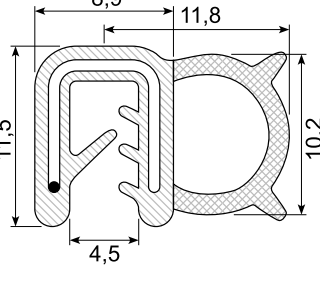
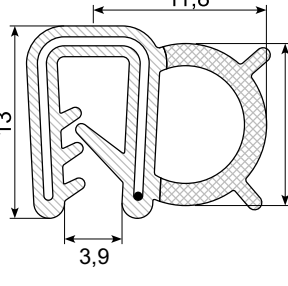
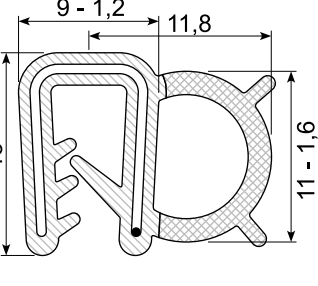


Edge trim: EPDM co-ex
Grip range: 4,0 - 6,0 mm
Hardness: SH 65 / density 0,6
Insert: 33 mm steel

Kantlister / Edge trims

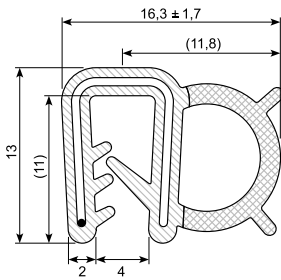
<p>33.376</p>  <p>Edge trim: EPDM co-ex Grip range: 1,0 - 3,5 mm Hardness: SH 70 / density 0,75 Insert: 27 mm steel</p>	<p>33.360</p>  <p>Edge trim: EPDM co-ex Grip range: 1,0 - 2,5 mm Hardness: SH 60 / density 0,6 Insert: 27 x 0,75 mm wire</p>	<p>33.360NBR *</p>  <p>Edge trim: NBR co-ex Grip range: 1,0 - 3,0 mm Hardness: SH 70 / density 0,55 Insert: 27 x 0,75 mm wire Oil resistant Min. order: 4.000 m</p>	<p>33.377</p>  <p>Edge trim: EPDM co-ex Grip range: 1,0 - 3,5 mm Hardness: SH 70 / density 0,75 Insert: 27 mm wire</p>
<p>33.360F *</p>  <p>Edge trim: EPDM co-ex Grip range: 2,0 - 4,0 mm Hardness: SH 65 / density 0,6 Insert: 27 x 0,76 mm wire Flame retardant ref. NNF 16101 (Certificate valid only 2016) Min. order: 3.000 m</p>	<p>33.360X</p>  <p>Edge trim: EPDM co-ex Grip range: 1,0 - 3,0 mm Hardness: SH 70 / density 0,6 Insert: 27 x 0,75 mm wire</p>	<p>33.365X</p>  <p>Edge trim: PVC, black + bi sponge rubber Grip range: 1,0 - 4,0 mm Hardness: SH 75 / 63 / density 0,6 - 0,85 Insert: 26 x 0,47 mm steel</p>	<p>33.362F *</p>  <p>Edge trim: EPDM co-ex Grip range: 2,0 - 4,0 mm Hardness: SH 65 / density 0,6 Insert: 29 x 0,5 mm steel Flame retardant ref. NNF 16101 (Certificate valid only 2016) Min. order: 1.000 m</p>
<p>33.374</p>  <p>Edge trim: EPDM co-ex Grip range: 1,5 - 4,0 mm Hardness: SH 70 / density 0,55 Insert: 27 x 0,47 mm steel</p>	<p>33.362D</p>  <p>Edge trim: EPDM co-ex Grip range: 2,0 - 4,0 mm Hardness: SH 65 / density 0,6 Insert: 27 x 0,75 mm wire</p>	<p>33.360R</p>  <p>Edge trim: PVC, black sponge rubber Grip range: 1,0 - 2,5 mm Hardness: SH 77 / density 0,65 - 0,75 Insert: 26 x 0,5 mm Stainless 304 steel</p>	<p>33.362E *</p>  <p>Edge trim: EPDM co-ex Grip range: 3,0 - 5,0 mm Hardness: SH 65 / density 0,6 Insert: 26 x 0,5 mm steel Min. order: 1.500 m</p>
<p>33.362</p>  <p>Edge trim: EPDM co-ex Grip range: 1,0 - 3,5 mm Hardness: SH 70 / density 0,6 Insert: 26 x 0,76 mm wire</p>	<p>33.362C *</p>  <p>Edge trim: EPDM co-ex Grip range: 1,5 - 3,0 mm Hardness: SH 65 / density 0,6 Insert: 26 x 0,5 mm steel Min. order: 1.000 m</p>	<p>33.025</p>  <p>Edge trim: EPDM co-ex Grip range: 1,5 - 3,5 mm Hardness: SH 70 / density 0,55 Insert: 27 x 0,47 mm steel</p>	<p>33.367 *</p>  <p>Edge trim: EPDM, solid balloon Grip range: 16,0 mm Hardness: SH 60 Insert: 52 x 0,76 mm wire Min. order: 3.030 m</p>

Kantlister / Edge trims

<p>33.380</p>  <p>Edge trim: EPDM co-ex Grip range: 2,0 - 4,0 mm Hardness: SH 70 / density 0,55 Insert: 29 mm wire</p>	<p>33.379</p>  <p>Edge trim: EPDM co-ex Grip range: 2,5 - 5,0 mm Hardness: SH 70 / density 0,55 Insert: 33 mm wire</p>	<p>33.378</p>  <p>Edge trim: EPDM co-ex Grip range: 1,5 - 5,0 mm Hardness: SH 70 / density 0,55 Insert: 33 mm wire</p>	<p>33.375</p>  <p>Edge trim: EPDM co-ex Grip range: 4,0 - 5,0 mm Hardness: SH 70 / density 0,6 - 0,85 Insert: 27 mm wire</p>
<p>33.463</p>  <p>Edge trim: PVC, black + bi / sponge rubber Grip range: 4,0 - 6,0 mm Hardness: SH78/57 density 0,55 Insert: 31 x 0,5 mm steel</p>	<p>33.355B</p>  <p>Edge trim: EPDM, solid balloon Grip range: 3,0 - 5,0 mm Hardness: SH 60 Insert: 31 x 0,5 mm steel, unbroken</p>	<p>33.408X</p>  <p>Edge trim: PVC, black + bi / sponge rubber Grip range: 1,0 - 2,0 mm Hardness: SH 78 / 57 density 0,55 Insert: 16 x 0,3 mm steel</p>	<p>33.407X</p>  <p>Edge trim: EPDM co-ex Grip range: 0,8 - 2,5 mm Hardness: SH 60 / density 0,55 Insert: 22 x 0,75 mm wire</p>
<p>33.403</p>  <p>Edge trim: EPDM co-ex Grip range: 1,0 - 2,0 mm Hardness: SH 70 / density 0,55 Insert: 20 x 0,76 mm wire Min. order: 8.000 m</p>	<p>33.403F</p>  <p>Edge trim: EPDM co-ex Grip range: 1,0 - 2,0 mm Hardness: SH 60 / density 0,8 Insert: 22 x 0,75 mm wire Flame retardant EN 45545</p>	<p>33.9779</p>  <p>Edge trim: EPDM co-ex Grip range: 1,5 - 3,0 mm (1-3 mm) Hardness: SH 70 / density 0,65 Insert: 25 x 0,5 mm steel</p>	<p>33.395A</p>  <p>Edge trim: EPDM co-ex Grip range: 2,0 mm Hardness: SH 60 / density 0,6 Insert: 26 x 0,75 mm wire</p>
<p>33.395X</p>  <p>Edge trim: EPDM co-ex Grip range: 1,0 - 3,0 mm Hardness: SH 70 / density 0,55 Insert: Wire</p>	<p>33.395XX</p>  <p>Edge trim: EPDM co-ex Grip range: 1,0 - 2,0 mm Hardness: SH 70 / density 0,55 Insert: Wire Partivare - udgår Special offer (tolerance mistake)</p>	<p>33.395XA</p>  <p>Edge trim: EPDM co-ex Grip range: 1,0 - 3,0 mm Hardness: SH 70 / density 0,55 Insert: Wire Min. order: 4.500m</p>	<p>33.398</p>  <p>Edge trim: NBR co-ex Grip range: 2,0 mm Hardness: SH 60 / density 0,55 Insert: 27 x 0,76 mm wire Oil resistant</p>

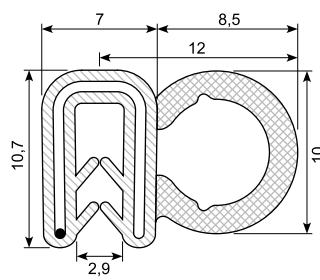
Kantlister / Edge trims

33.395F



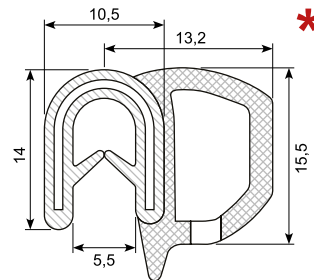
Edge trim: EPDM co-ex
 Grip range: 1,0 - 3,0 mm
 Hardness: SH 60 / density 0,8
 Insert: 26 x 0,75 mm wire
Flame retardant EN 45545

33.381



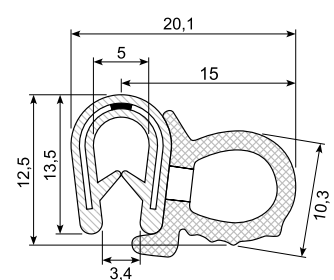
Edge trim: EPDM co-ex
 Grip range: 1,0 - 2,5 mm
 Hardness: SH 70 density 0,55
 Insert: Wire

33.444A



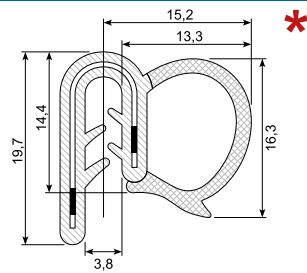
Edge trim: EPDM co-ex
 Grip range: 1,5 - 4,0 mm
 Hardness: SH 70 / density 0,55
 Insert: Wire
Min. order: 1.000 m

33.372X



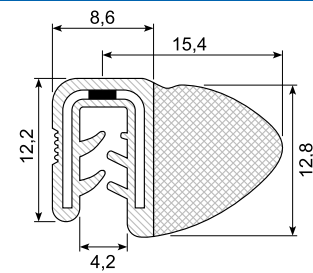
Edge trim: PVC, black + sponge rubber
 Grip range: 1,0 - 3,5 mm
 Hardness: SH 75 / 75 / density 0,6 - 0,85
 Insert: 22 x 0,47 mm steel

33.506



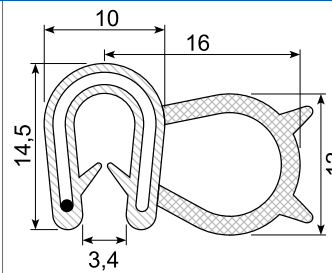
Edge trim: EPDM co-ex
 Grip range: 1,0 - 2,5 mm
 Hardness: SH 70 / density 0,6
 Insert: 30 x 0,47 mm steel
Min. order: 4.000 m

33.480



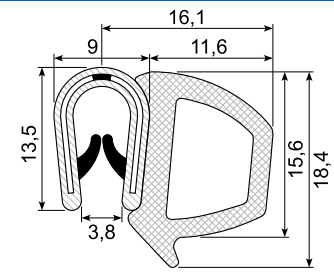
Edge trim: EPDM co-ex
 Grip range: 1,0 - 3,5 mm
 Hardness: SH 70 / density 0,55
 Insert: Steel

33.396



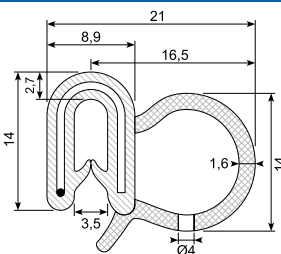
Edge trim: EPDM co-ex
 Grip range: 1,0 - 3 mm
 Hardness: SH 70 / density 0,6 - 0,85
 Insert: 27 mm wire

33.444X



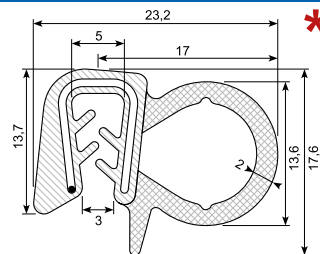
Edge trim: PVC, black + bi sponge rubber
 Grip range: 1,0 - 3,5 mm
 Hardness: SH75 / 75 / density 0,6-0,86
 Insert: 26 x 0,47 mm steel
Red lips

33.319



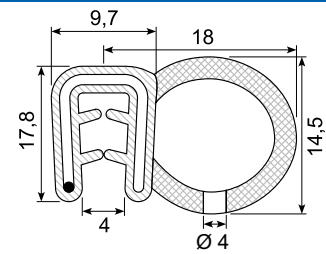
Edge trim: EPDM co-ex
 Grip range: 1,0 - 3,0 mm
 Hardness: SH 70 / density 0,6 0,85
 Insert: Wire

33.319F



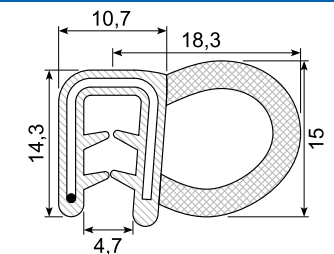
Edge trim: EPDM co-ex
 Grip range: 1,0 - 2,0 mm
 Hardness: SH 70 / density 0,6
 Insert: 26 x 0,75 mm wire
Flame retardant ref. NNF 16101 (Certificate valid only 2016)
Min. order: 3.000 m

33.323



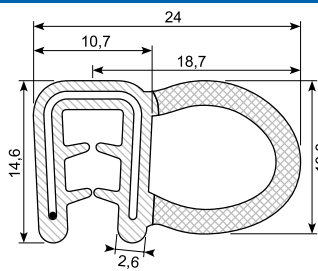
Edge trim: EPDM co-ex
 Grip range: 1,5 - 3,5 mm
 Hardness: SH 70 / density 0,6 - 0,85
 Insert: 27 mm

33.324CR



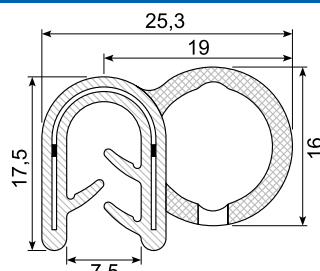
Edge trim: CR co-ex
 Grip range: 1,0 - 3,5 mm
 Hardness: SH70 / density 0,6-0,85
 Insert: 29 mm wire
Conditional oil resistant

33.338F



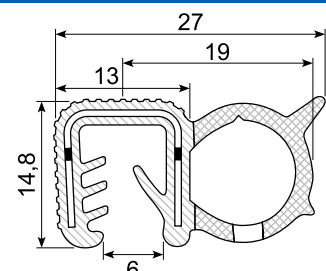
Edge trim: EPDM co-ex
 Grip range: 1,5 - 3,0 mm
 Hardness: SH 65 / density 0,60
 Insert: 30 x 0,75 mm wire
Flame retardant EN45545

33.450NBR



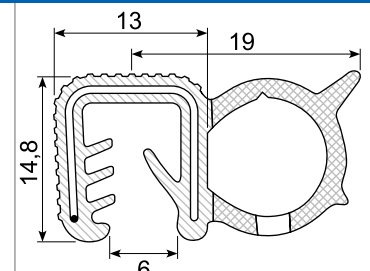
Edge trim: NBR co-ex
 Grip range: 4,0 - 6,0 mm (3 - 6 mm)
 Hardness: SH 70 / density 0,55
 Insert: 34 x 0,5 mm steel
Oil resistant

33.457



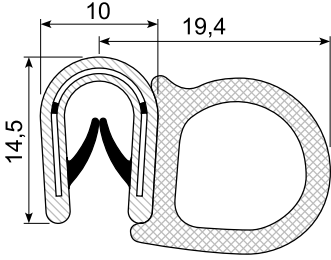
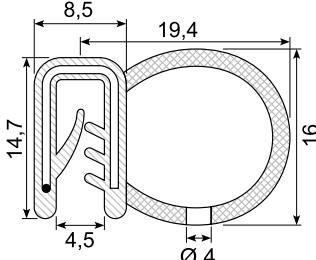
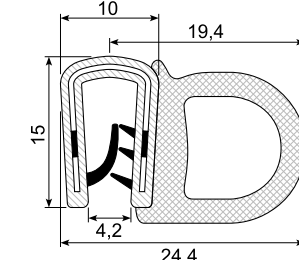
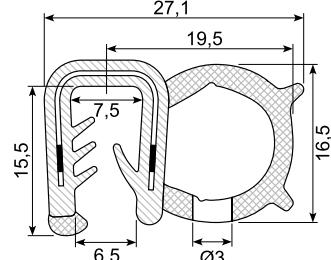
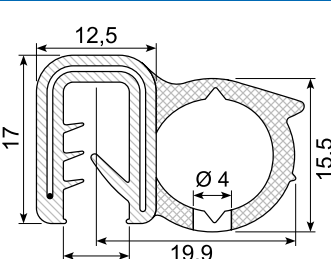
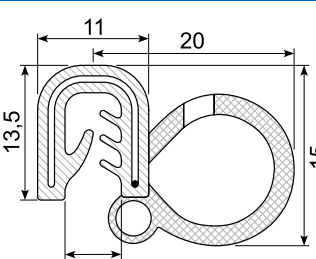
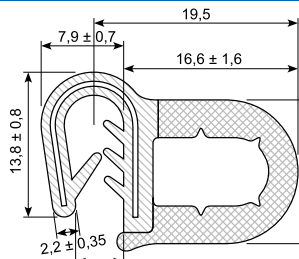
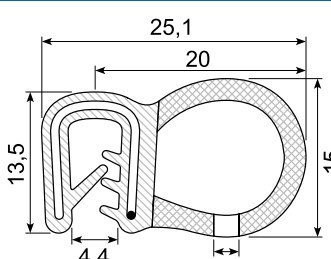
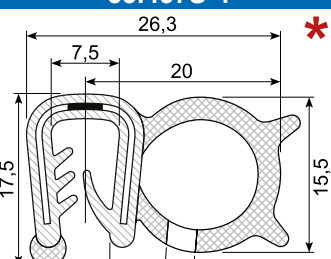
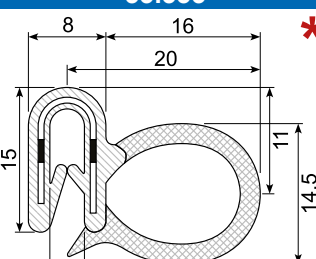
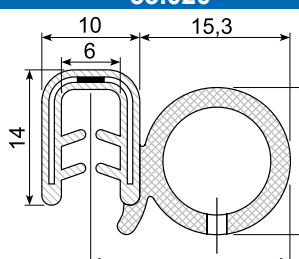
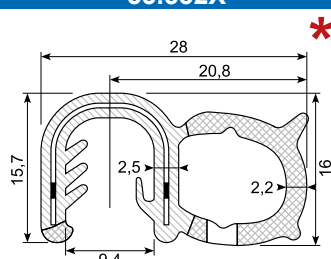
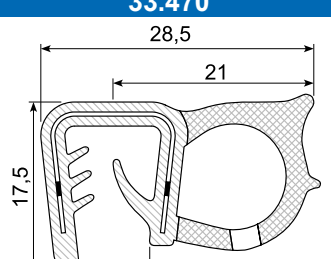
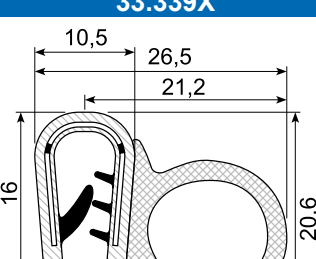
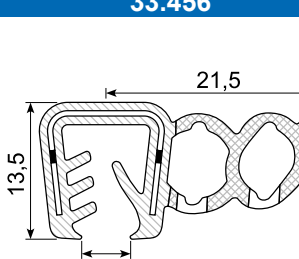
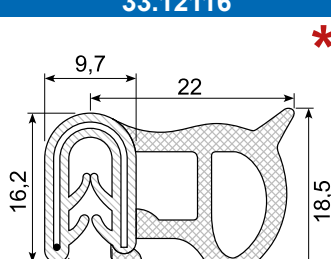
Edge trim: EPDM co-ex
 Grip range: 5,0 - 6,0 mm
 Hardness: SH 60 / density 0,6
 Insert: 32 x 0,6 mm steel, unbroken

33.457ST

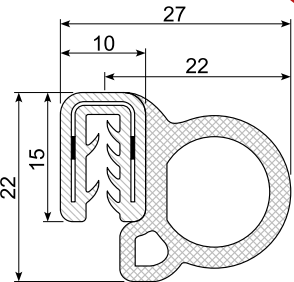
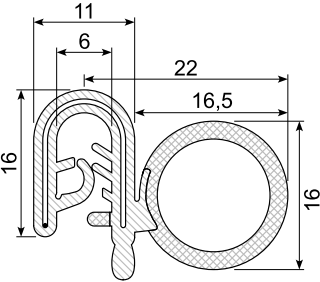
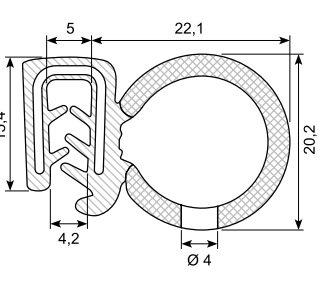
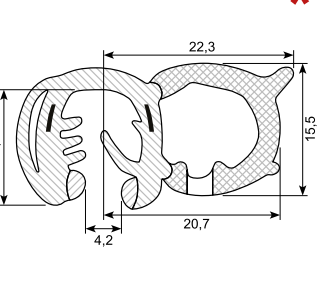
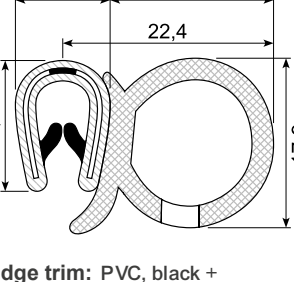
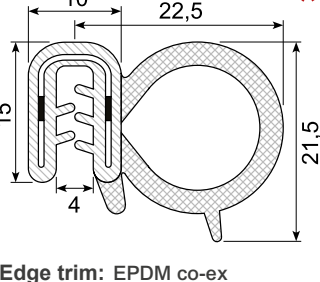
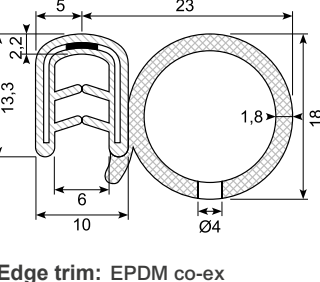
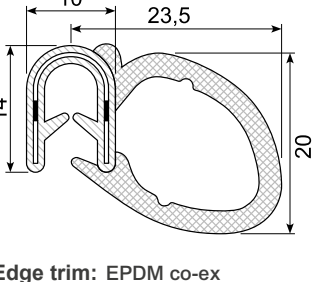
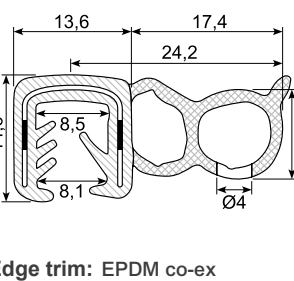
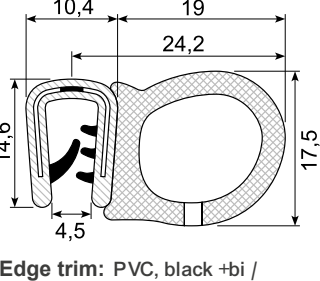
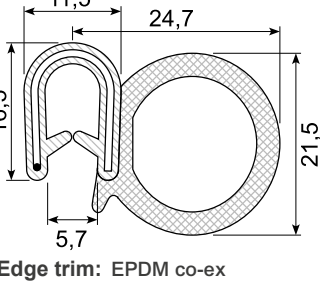
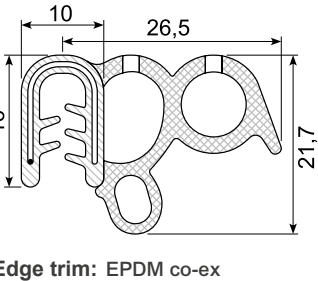
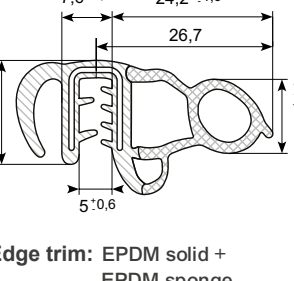
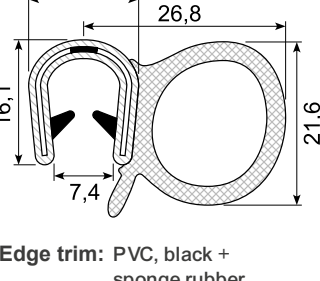
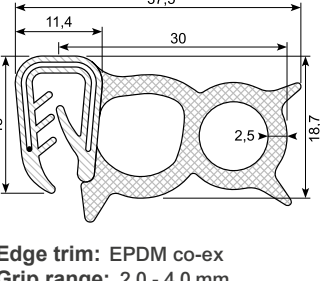
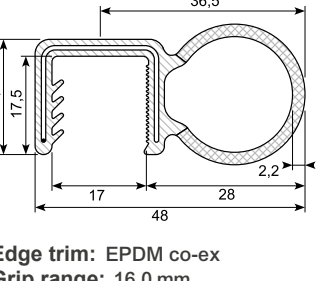


Edge trim: EPDM co-ex
 Grip range: 5,0 - 6,0 mm
 Hardness: SH 60 / density 0,55
 Insert: 31 x 0,76 mm wire

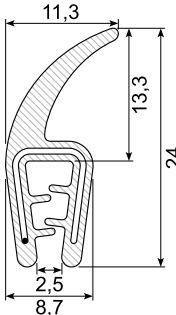
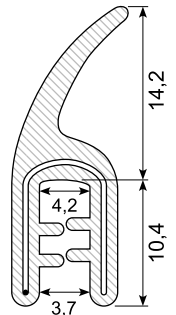
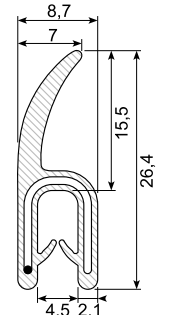
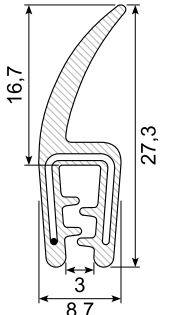
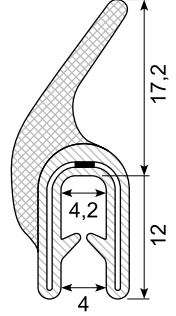
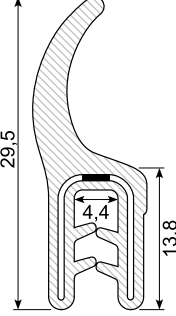
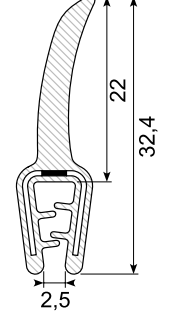
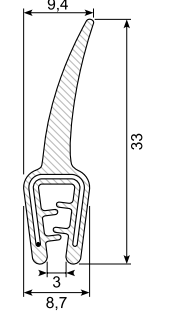
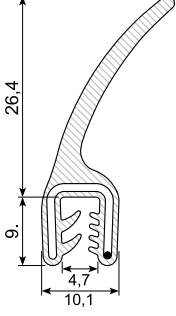
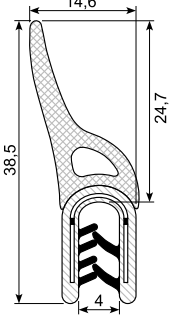
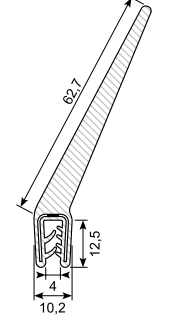
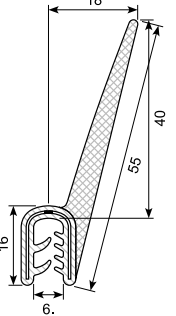
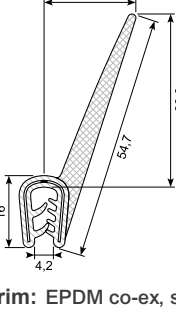
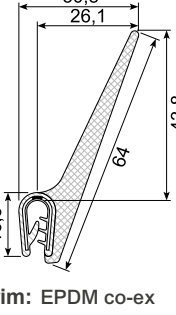
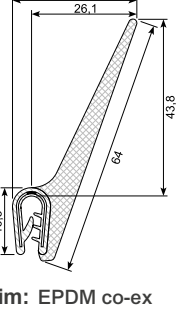
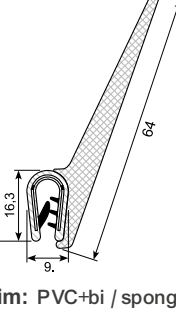
Kantlister / Edge trims

<p>33.449</p>  <p>Edge trim: PVC, black +bi / sponge rubber Grip range: 1,0 - 4,0 mm Hardness: SH78/57 / density 0,55 Insert: 26 x 0,5 mm steel</p>	<p>33.321</p>  <p>Edge trim: EPDM co-ex Grip range: 1,0 - 3,5 mm Hardness: SH 70 / density 0,6 - 0,85 Insert: 27 mm wire</p>	<p>33.452R</p>  <p>Edge trim: PVC, black +bi / sponge rubber Grip range: 2,0 - 4,0 mm Hardness: SH 78 / 65 density 0,65 - 0,75 Insert: 29 x 0,48 mm Stainless Steel</p>	<p>33.457S-6</p>  <p>Edge trim: EPDM co-ex Grip range: 3,0 - 6,0 mm Hardness: SH 70 / density 0,6 Insert: 32 x 0,47 steel</p>
<p>33.024</p>  <p>Edge trim: EPDM co-ex Grip range: 2,0 - 4,0 mm (2 - 5 mm) Hardness: SH 70 / density 0,55 Insert: 33 mm wire</p>	<p>33.454X</p>  <p>Edge trim: EPDM co-ex Grip range: 2,0 mm Hardness: SH 70 / density 0,55 Insert: 27 x 0,76 mm wire</p>	<p>33.451E</p>  <p>Edge trim: EPDM co-ex Grip range: 2,0 - 5,0 mm Hardness: SH 70 / density 0,6 Insert: 30 mm steel</p>	<p>33.335</p>  <p>Edge trim: EPDM co-ex Grip range: 1,5 - 3,5 mm Hardness: SH70 / density 0,55-0,85 Insert: 27 mm wire</p>
<p>33.457S-4</p>  <p>Edge trim: EPDM co-ex Grip range: 2,0 - 4,0 mm Hardness: SH 70 / density 0,6 Insert: Steel Min. order: 3.000 m</p>	<p>33.333</p>  <p>Edge trim: EPDM co-ex Grip range: 1,0 - 3,0 mm Hardness: SH 65 / density 0,6 Insert: 29 x 0,5 mm steel Min. order: 4.000 m</p>	<p>33.020</p>  <p>Edge trim: EPDM co-ex Grip range: 1,5 - 3,0 mm Hardness: SH 70 / density 0,55 Insert: 27 x 0,47 mm steel</p>	<p>33.332X</p>  <p>Edge trim: EPDM co-ex Grip range: 5,0 - 6,0 mm Hardness: SH 70 / density 0,6 Insert: 33 x 0,5 steel Min. order: 5.000 m</p>
<p>33.470</p>  <p>Edge trim: EPDM co-ex Grip range: 5,0 - 8,0 mm Hardness: SH 70 / density 0,6 Insert: 36 x 0,5 mm steel</p>	<p>33.339X</p>  <p>Edge trim: PVC, black+bi / sponge rubber Grip range: 2,5 - 4,0 mm Hardness: SH 78 / 65 Insert: Steel</p>	<p>33.456</p>  <p>Edge trim: EPDM co-ex Grip range: 5,0 - 6,0 mm Hardness: SH 70 / density 0,6 Insert: 30 x 0,6 mm steel Min. order: 4.000 m</p>	<p>33.12116</p>  <p>Edge trim: EPDM co-ex Grip range: 1,0 - 4,0 mm Hardness: SH 70 / density 0,6 - 0,85 Insert: 29 mm wire Min. order: 3.000 m</p>

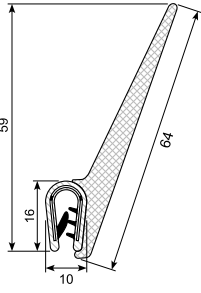
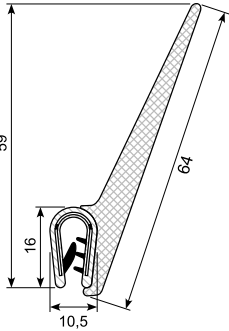
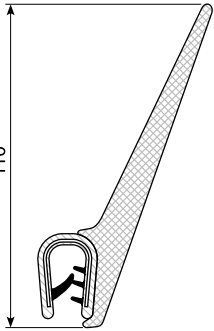
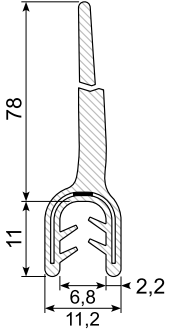
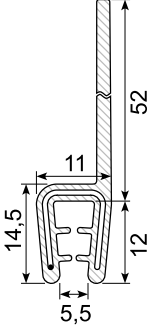
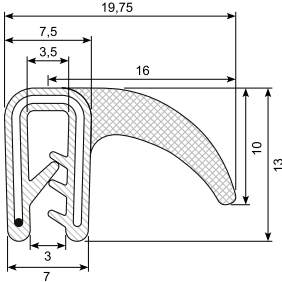
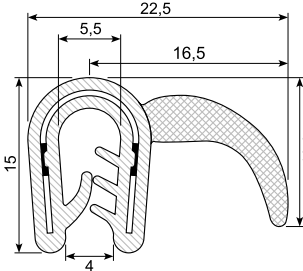
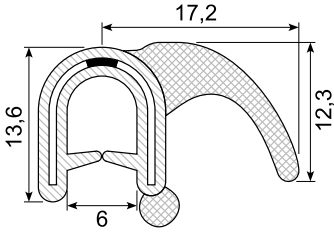
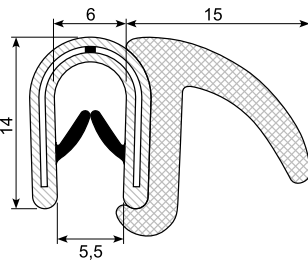
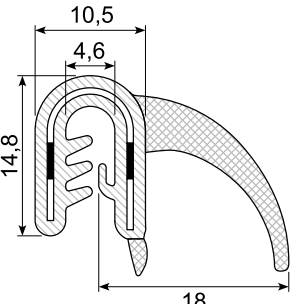
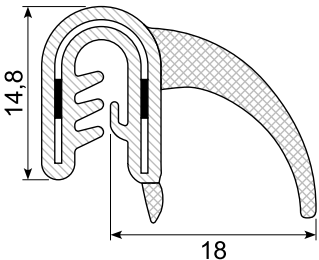
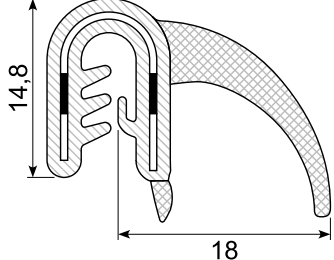
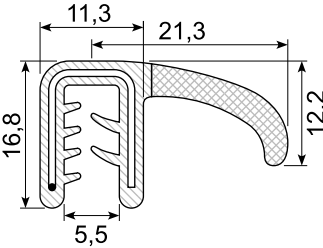
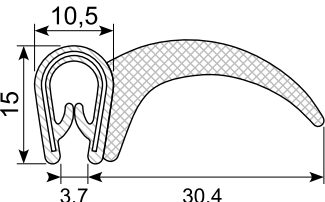
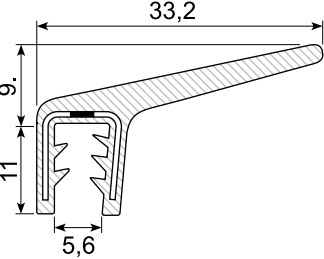
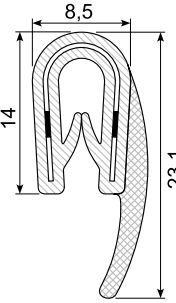
Kantlister / Edge trims

<p>33.328 *</p>  <p>Edge trim: EPDM co-ex Grip range: 1,5 - 2,5 mm Hardness: SH 65 / density 0,6 Insert: 29 x 0,5 mm steel Min. order: 4.000 m</p>	<p>33.022</p>  <p>Edge trim: EPDM co-ex Grip range: 1,5-3,0 mm (1,5-4 mm) Hardness: SH 70 / density 0,6 Insert: 33 mm wire</p>	<p>33.340</p>  <p>Edge trim: EPDM co-ex Grip range: 2,0 - 4,0 mm Hardness: SH 70 Insert: 29 x 0,74 mm steel</p>	<p>33.332B *</p>  <p>Edge trim: EPDM co-ex Grip range: 3,0 - 6,0 mm Hardness: SH 70 / density 0,55 Insert: 32 mm Steel Min. order: 1.000 m</p>
<p>33.453X</p>  <p>Edge trim: PVC, black + sponge rubber Grip range: 1,0 - 3,5 mm Hardness: SH75 / 75 / density 0,6-0,85 Insert: 26 x 0,47 mm steel</p>	<p>33.320 *</p>  <p>Edge trim: EPDM co-ex Grip range: 1,0 - 2,5 mm Hardness: SH 65 / density 0,6 Insert: 29 x 0,5 mm steel Min. order: 4.000 m</p>	<p>33.019</p>  <p>Edge trim: EPDM co-ex Grip range: 1,0 - 4,0 mm Hardness: SH 70 / density 0,6 - 0,85 Insert: Steel</p>	<p>33.447</p>  <p>Edge trim: EPDM co-ex Grip range: 2,5 - 5,0 mm Hardness: SH 70 / density 0,6 Insert: Steel</p>
<p>33.455</p>  <p>Edge trim: EPDM co-ex Grip range: 4,0 - 6,0 mm Hardness: SH 70 / density 0,6 Insert: Steel, unbroken</p>	<p>33.452X</p>  <p>Edge trim: PVC, black +bi / sponge rubber Grip range: 2,0 - 4,0 mm Hardness: SH 78 / 65 density 0,65 - 0,75 Insert: 29 x 0,48 mm</p>	<p>33.326</p>  <p>Edge trim: EPDM co-ex Grip range: 1,5 - 4,0 mm Hardness: SH70 / density 0,55 - 0,85 Insert: 33 mm wire</p>	<p>33.464</p>  <p>Edge trim: EPDM co-ex Grip range: 1,5 - 3,5 mm Hardness: SH 70 / density 0,6 Insert: 31 x 0,75 mm wire</p>
<p>33.466</p>  <p>Edge trim: EPDM solid + EPDM sponge Hardness: SH 70 +- 5 Density: 1,3 +- 0,03</p>	<p>33.331</p>  <p>Edge trim: PVC, black + sponge rubber Grip range: 6,0 - 8,0 mm Hardness: SH75/75 / density 0,6-0,85 Insert: 30 x 0,47 mm steel White lips</p>	<p>33.456F *</p>  <p>Edge trim: EPDM co-ex Grip range: 2,0 - 4,0 mm Hardness: SH 65 / density 0,6 Insert: 31 x 0,75 mm wire Flame retardant ref. NNF 16101 (Certificate valid only 2016) Min. order: 3.000 m</p>	<p>33.478 *</p>  <p>Edge trim: EPDM co-ex Grip range: 16,0 mm Hardness: SH 60 / density 0,6 Insert: 52 x 0,76 mm wire Min. order: 3.000 m</p>

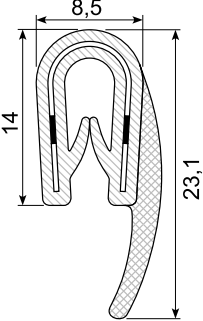
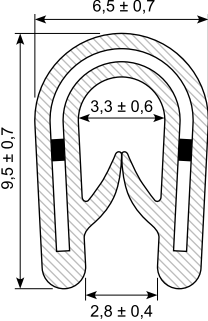
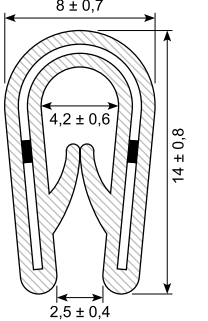
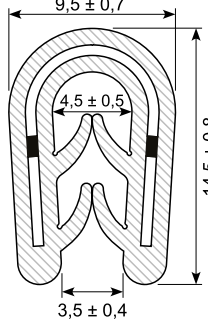
Kantlister / Edge trims

<p>33.458X</p>  <p>Edge trim: EPDM, solid lip Grip range: 1,0 - 2,5 mm Hardness: SH 60 Insert: 26 x 0,76 mm wire</p>	<p>33.458A</p>  <p>Edge trim: EPDM co-ex Grip range: 1,0 - 3,0 mm Hardness: SH 70 Insert: Wire</p>	<p>33.465C</p>  <p>Edge trim: EPDM solid lip Grip range: 2,0 - 4,0 mm Hardness: SH 70 Insert: 27 x 0,76 wire</p>	<p>33.465X</p>  <p>Edge trim: EPDM, solid lip Grip range: 1,0 - 3,0 mm Hardness: SH 60 Insert: 26 x 0,76 mm wire</p>
<p>33.479</p>  <p>Edge trim: EPDM co-ex Grip range: 2,0 - 4,0 mm Hardness: SH 70 / density 0,6 Insert: Steel</p>	<p>33.465B *</p>  <p>Edge trim: EPDM, solid lip Grip range: 1,0 - 3,0 mm Hardness: SH 70 Insert: 27 x 0,5 mm steel unbroken Min. order: 3.000 m</p>	<p>33.459P</p>  <p>Edge trim: PVC, solid lip Grip range: 1,0 - 2,5 mm Hardness: SH 57 Insert: 24 x 0,5 mm steel, unbroken</p>	<p>33.459X</p>  <p>Edge trim: EPDM solid lip Grip range: 1,0 - 2,5 mm Hardness: SH 60 Insert: 26 x 0,76 mm wire</p>
<p>33.459B</p>  <p>Edge trim: EPDM solid lip Grip range: 1,5 - 3,0 mm Hardness: SH 70 Insert: Wire</p>	<p>33.475</p>  <p>Edge trim: PVC + bi / sponge rubber Grip range: 2,0 - 4,0 mm Hardness: SH 78 / 57 / density 0,55 Insert: Steel</p>	<p>33.382</p>  <p>Edge trim: EPDM co-ex, solid lip Grip range: 1,0 - 3,5 mm Hardness: SH 70 Insert: Steel</p>	<p>33.482</p>  <p>Edge trim: EPDM co-ex, solid lip Grip range: 2,0 - 4,5 mm Hardness: SH 70 Insert: 30 x 0,47 mm steel</p>
<p>33.483</p>  <p>Edge trim: EPDM co-ex, solid lip Grip range: 1,0 - 2,5 mm Hardness: SH 70 Insert: 30 x 0,47 mm steel</p>	<p>33.460-2C</p>  <p>Edge trim: EPDM co-ex Grip range: 1,0 - 2,5 mm Hardness: SH 70 / density 0,6 Insert: 31 x 0,5 mm steel, unbroken</p>	<p>33.460-2F *</p>  <p>Edge trim: EPDM co-ex Grip range: 1,0 - 2,5 mm Hardness: SH 65 / density 0,6 Insert: 31 x 0,5 mm steel Flame retardant ref. NNF 16101 (Certificate valid only 2016) Min. order: 3.000 m</p>	<p>33.460-2X</p>  <p>Edge trim: PVC+bi / sponge rubber Grip range: 1,0 - 2,5 mm Hardness: SH 78/57 / density 0,6 Insert: 31 x 0,5 mm steel</p>

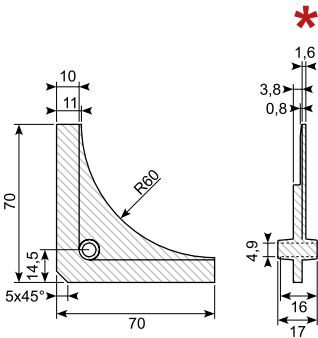
Kantlister / Edge trims

<p>33.460-4X</p>  <p>Edge trim: PVC+bi / sponge rubber Grip range: 2,0 - 4,0 mm Hardness: SH 78/57 / density 0,6 Insert: 31 x 0,5 mm steel</p>	<p>33.460-6X</p>  <p>Edge trim: PVC+bi / sponge rubber Grip range: 4,0 - 6,0 mm 25 m Hardness: SH 78/57 / density 0,6 Insert: 31 x 0,5 mm steel</p>	<p>33.460-6XL</p>  <p>Edge trim: PVC+bi/sponge rubber Grip range: 3,0 - 6,0 mm Hardness: SH 75/57 density 0,6 Insert: Steel</p>	<p>33.472</p>  <p>Edge trim: EPDM, solid lip Grip range: 2,0 - 4,0 mm Hardness: SH 70 Insert: 29 x 0,5 mm, unbroken</p>
<p>33.471</p>  <p>Edge trim: EPDM, solid lip Grip range: 3,0 - 4,0 mm Hardness: SH 60 solid lip Insert: 29 x 0,76 mm wire</p>	<p>33.443X</p>  <p>Edge trim: EPDM co-ex Grip range: 1,0 - 2,0 mm Hardness: SH 60 / density 0,6 Insert: Wire</p>	<p>33.383</p>  <p>Edge trim: EPDM co-ex Grip range: 2,0 - 4,0 mm Hardness: SH 70 / density 0,6 Insert: 30 x 0,5 steel</p>	<p>33.474</p>  <p>Edge trim: EPDM co-ex Grip range: 2,0 - 5,0 mm Hardness: SH 70 / density 0,6 - 0,85 Insert: 27 mm steel</p>
<p>33.439A</p>  <p>Edge trim: PVC+bi / sponge rubber Grip range: 1,0 - 4,0 mm Hardness: SH 78/57 / density 0,6 Insert: 26 x 0,5 mm steel Yellow lips</p>	<p>33.026</p>  <p>Edge trim: EPDM co-ex Grip range: 1,5 - 2,0 mm (1-3,5 mm) Hardness: SH 70 / density 0,55 Insert: 26 x 0,76 mm wire</p>	<p>33.026XA</p>  <p>Edge trim: EPDM co-ex Grip range: 2,0 - 3,0 mm Hardness: SH 70 / density 0,55 Insert: 26 x 0,76 mm wire</p>	<p>33.026X</p>  <p>Edge trim: EPDM co-ex Grip range: 3,0 - 4,0 mm Hardness: SH 70 / density 0,55 Insert: 26 x 0,76 mm wire</p>
<p>33.436</p>  <p>Edge trim: EPDM co-ex Grip range: 2,0 - 4,0 mm Hardness: SH 70 / density 0,6 Insert: 33 mm wire</p>	<p>33.442</p>  <p>Edge trim: EPDM co-ex Grip range: 1,0 - 3,0 mm Hardness: SH 70 / density 0,65 Insert: 29 mm steel</p>	<p>33.473</p>  <p>Edge trim: EPDM co-ex Grip range: 2,0 - 5,0 mm Hardness: SH 70 Insert: 27 x 0,47 mm steel</p>	<p>33.462</p>  <p>Edge trim: PVC / sponge rubber Grip range: 1,0 - 2,5 mm Hardness: SH 78 / density 0,65 - 0,75 Insert: 25 x 0,48 mm steel</p>

Kantlister / Edge trims

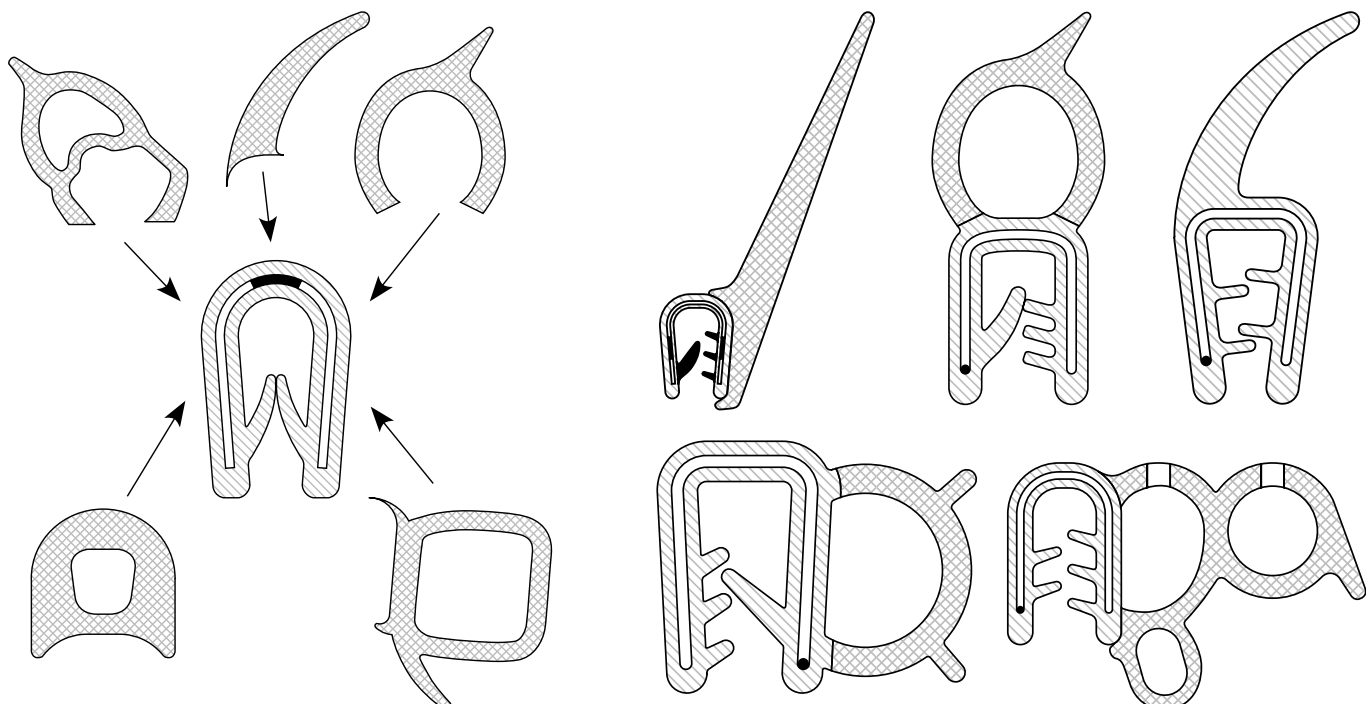
33.462R	33.409ALU *	33.310ALU *	33.432ALU *
			
<p>Edge trim: PVC / sponge rubber Grip range: 1,0 - 2,5 mm Hardness: SH 78/ density 0,65 - 0,75 Insert: 25 x 0,48 mm Stainless Steel</p>	<p>Edge trim: PVC, black Grip range: 0,8 - 2,0 mm Hardness: SH 75 Insert: 17,5 mm aluminium Min. order: 10.000 m</p>	<p>Edge trim: PVC, black Grip range: 1,0 - 2,5 mm Hardness: SH 75 Insert: 26 mm aluminium Min. order: 10.000 m</p>	<p>Edge trim: EPDM Grip range: 2,0 - 4,0 mm Hardness: SH 65 Insert: 26 mm aluminium Min. order: 10.000 m</p>

33.000



Nylon hjørnestykke
 PA6 + 30% GF
 Sikrer korrekt hjørneradius
Min. order: 100

Konfigurer din egen kantliste eller vælg fra de 2.000 vi har på lager.
 Configure your own edge trim or choose from the 2.000 we have in stock.



Silikonekantlister

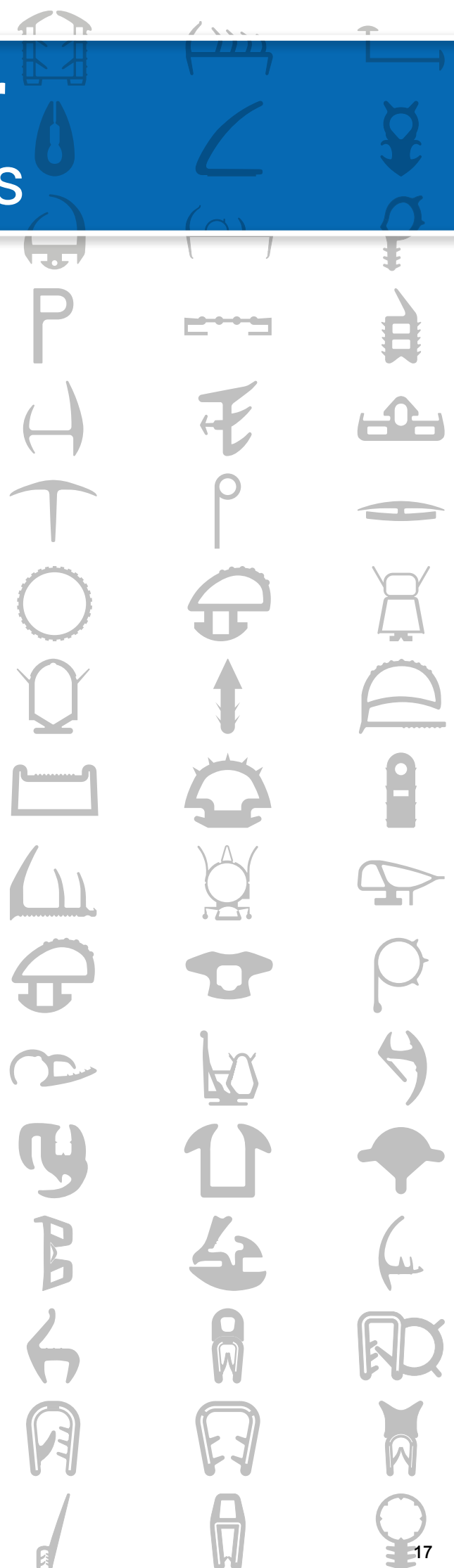
Silicone edge trims

Silikonekantlister anvendes som andre typer af kantlister. Silikone er dog meget mere resistent overfor højere temperaturer.

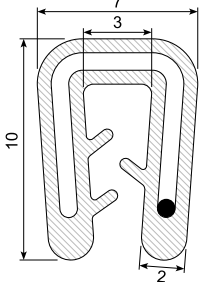
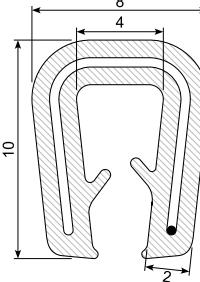
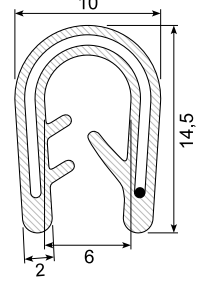
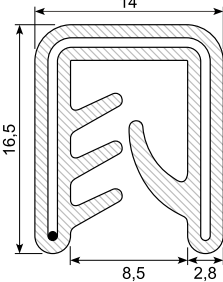
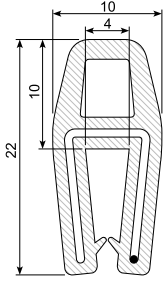
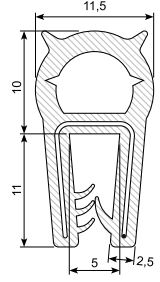
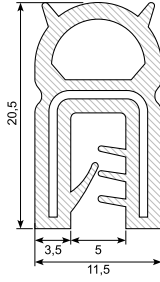
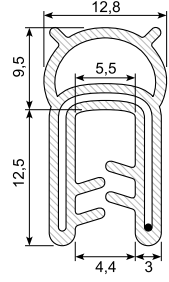
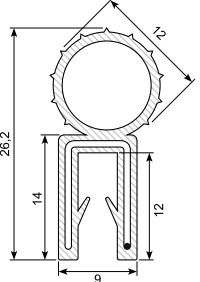
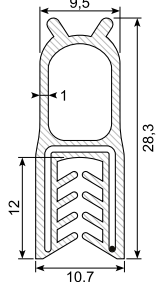
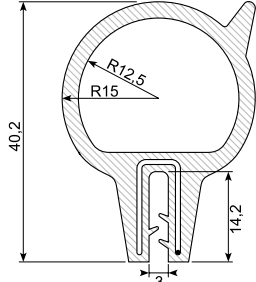
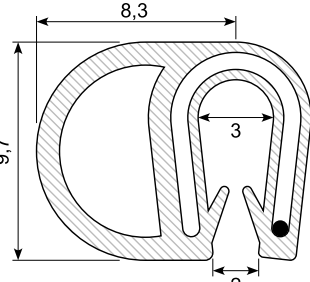
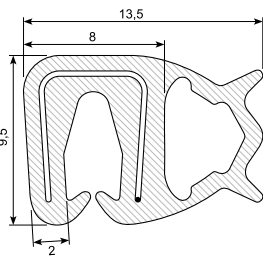
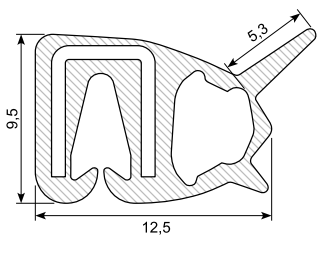
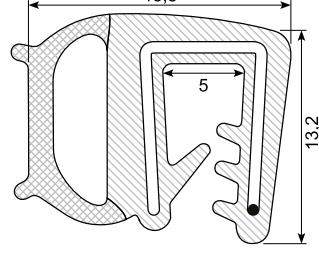
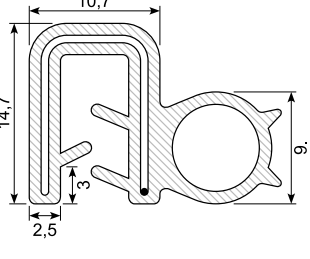
Vi tilbyder ligeledes FDA egnede silikonelister og / eller op til 270 °C varmebestandighed.

The silicone edge trims are used like other types of edge trims, however, silicone is much more resistant to higher temperatures.

We also offer FDA-approved silicone edge trims and / or with heat tolerance up to 270 °C.



Silikonekantlister / Silicone edge trims

<p>33.311</p>  <p>Edge trim: Silicone, black Grip range: 1,0 - 2,0 mm Hardness: SH 60 Insert: Wire 18 x 0,76 mm. Stainless can be done: Min. 500 m Heat resistant 200° C Silicone is FDA conform</p>	<p>33.510</p>  <p>Edge trim: Silicone, black Grip range: 1,0 - 3,0 mm Hardness: SH 60 Insert: Wire 26 x 0,76 mm. Stainless can be done: Min. 500 m Heat resistant 200° C Silicone is FDA conform</p>	<p>33.312</p>  <p>Edge trim: Silicone, black Grip range: 2,0 - 4,0 mm Hardness: SH 60 Insert: Wire. Stainless can be done: Min. 500 m Heat resistant 200° C Silicone is FDA conform</p>	<p>33.429</p>  <p>Edge trim: Silicone, black Grip range: 3,0 - 6,0 mm (5 - 7 mm) Hardness: SH 60 Insert: Wire 39 x 0,76 mm. Stainless can be done: Min. 500 m Heat resistant 200° C Silicone is FDA conform</p>
<p>33.511</p>  <p>Edge trim: Silicone, black Grip range: 1,5 - 4,0 mm Hardness: SH 50 Insert: Wire. Stainless can be done: Min. 500 m Heat resistant 200° C Silicone is FDA conform</p>	<p>33.512</p>  <p>Edge trim: Silicone, black Grip range: 1,0 - 3,5 mm Hardness: SH 50 Insert: Wire. Stainless can be done: Min. 500 m Heat resistant 200° C Silicone is FDA conform</p>	<p>33.513</p>  <p>Edge trim: Silicone, black Grip range: 1,5 - 3,5 mm Hardness: SH 50 Insert: Wire. Stainless can be done: Min. 500 m Heat resistant 200° C Silicone is FDA conform</p>	<p>33.431A</p>  <p>Edge trim: Silicone, light grey RAL 7035 Grip range: 2,0 - 4,0 mm Hardness: SH 60/60, Solid balloon Insert: Wire. Stainless can be done: Min. 500 m Heat resistant 200° C Silicone is FDA conform</p>
<p>33.514</p>  <p>Edge trim: Silicone Grip range: 1,5 - 3,0 mm Hardness: SH 75 Insert: Wire. Stainless can be done: Min. 500 m Heat resistant 200° C Silicone is FDA conform</p>	<p>33.515</p>  <p>Edge trim: Silicone Grip range: 1,0 - 2,5 mm Hardness: SH 75 Insert: Wire. Stainless can be done: Min. 500 m Heat resistant 200° C Silicone is FDA conform</p>	<p>33.516</p>  <p>Edge trim: Silicone Grip range: 2,0 - 3,0 mm Hardness: SH 75 Insert: Wire. Stainless can be done: Min. 500 m Heat resistant 200° C Silicone is FDA conform</p>	<p>33.517</p>  <p>Edge trim: Silicone Grip range: 2,0 - 3,0 mm Hardness: SH 50 Insert: Wire. Stainless can be done: Min. 500 m Heat resistant 200° C Silicone is FDA conform</p>
<p>33.518</p>  <p>Edge trim: Silicone, white Grip range: 1,5 - 2,5 mm Hardness: SH 60 Insert: Wire. Stainless can be done: Min. 500 m Heat resistant 200° C Silicone is FDA conform Min. order: 500 m</p>	<p>33.519</p>  <p>Edge trim: Silicone Grip range: 1,0 - 2,0 mm Hardness: SH 45 Insert: Wire. Stainless can be done: Min. 500 m Heat resistant 200° C Silicone is FDA conform</p>	<p>33.520</p>  <p>Edge trim: Silicone co-ex Color: Black and redbrown Grip range: 1,5 - 3,0 mm Hardness: SH 60 / density 0,4 Insert: Wire. Stainless can be done: Min. 500 m Heat resistant 200° C Min. order: 500 m</p>	<p>33.521</p>  <p>Edge trim: Silicone Grip range: 1,5 - 4,5 mm Hardness: SH 75 Insert: Wire. Stainless can be done: Min. 500 m Heat resistant 200° C Silicone is FDA conform</p>

Silikonekantlister / Silicone edge trims

<p>33.522X *</p> <p>Edge trim: Silicone Grip range: 2,0 - 4,0 mm Hardness: SH 60 Insert: Wire. Stainless can be done: Min. 500 m Heat resistant 200° C Silicone is FDA conform Min. order: 500 m</p>	<p>33.523 *</p> <p>Edge trim: Silicone Grip range: 1,5 - 2,5 mm Hardness: SH 60 Insert: Wire. Stainless can be done: Min. 500 m Heat resistant 200° C Silicone is FDA conform Min. order: 500 m</p>	<p>33.524</p> <p>Edge trim: Silicone Grip range: 2,0 - 4,0 mm Hardness: SH 50 Insert: Wire. Stainless can be done: Min. 500 m Heat resistant 200° C Silicone is FDA conform</p>	<p>33.525</p> <p>Edge trim: Silicone Grip range: 3,0 - 6,0 mm Hardness: SH 50 Insert: Wire. Stainless can be done: Min. 500 m Heat resistant 200° C Silicone is FDA conform</p>
<p>33.526 *</p> <p>Edge trim: Silicone Grip range: 1,0 - 2,5 mm Hardness: SH 65 Insert: Wire. Stainless can be done: Min. 500 m Heat resistant 200° C Silicone is FDA conform</p>	<p>33.527</p> <p>Edge trim: Silicone Grip range: 1,0 - 2,5 mm Hardness: SH 65 Insert: Wire. Stainless can be done: Min. 500 m Heat resistant 200° C Silicone is FDA conform</p>	<p>33.528</p> <p>Edge trim: Silicone Grip range: 1,0 - 3,0 mm Hardness: SH 60 Insert: Wire. Stainless can be done: Min. 500 m Heat resistant 200° C Silicone is FDA conform</p>	<p>33.529 *</p> <p>Edge trim: Silicone Grip range: 1,0 - 1,5 mm Hardness: SH 80 Insert: Wire. Stainless can be done: Min. 500 m Heat resistant 200° C Silicone is FDA conform Min. order: 500 m</p>
<p>33.530</p> <p>Edge trim: Silicone Grip range: 3,5 - 5,0 mm Hardness: SH 70 Insert: Wire. Stainless can be done: Min. 500 m Heat resistant 200° C Silicone is FDA conform</p>	<p>33.531 *</p> <p>Edge trim: Silicone Grip range: 2,5 - 5,5 mm Hardness: SH 70 Insert: Wire. Stainless can be done: Min. 500 m Heat resistant 200° C Silicone is FDA conform Min. order: 100 m</p>	<p>33.532</p> <p>Edge trim: Silicone Grip range: 5,5 - 6,5 mm Hardness: SH 65 Insert: Wire. Stainless can be done: Min. 500 m Heat resistant 200° C Silicone is FDA conform</p>	

POM-profiler

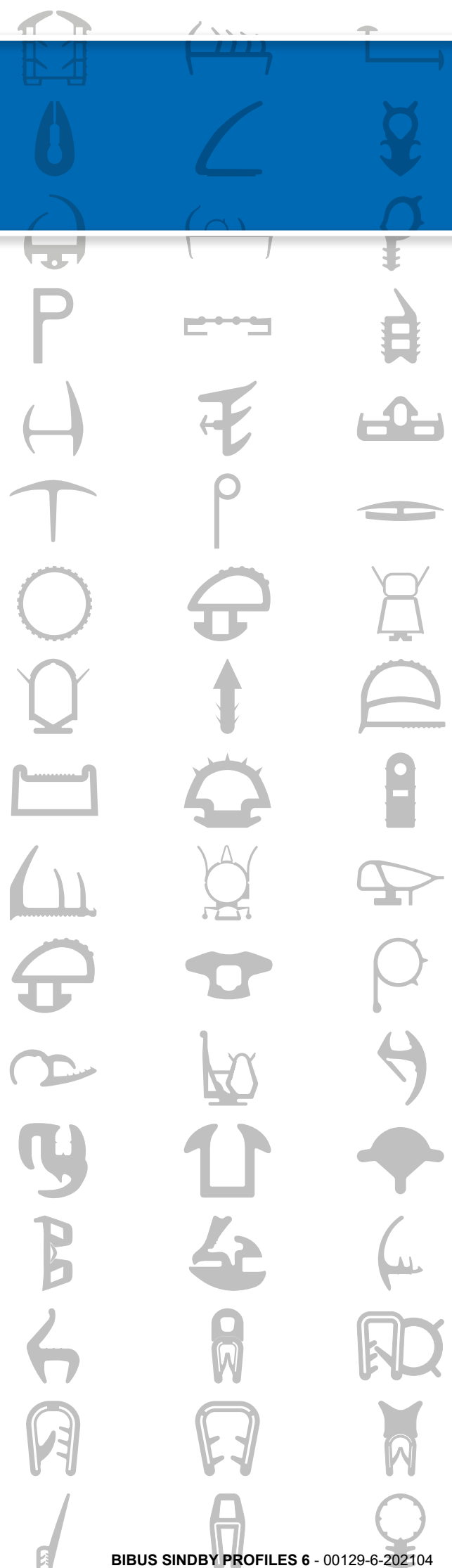
POM edge trims

POM-Lister har plastikindlæg og er et alternativ til stål- og metal indlagte kantlister. Dette giver mere fleksible profiler, som ikke er ledende og ikke rustner.

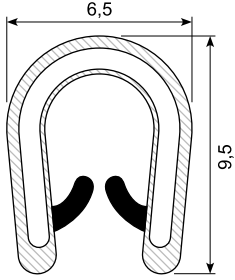
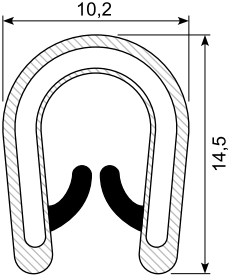
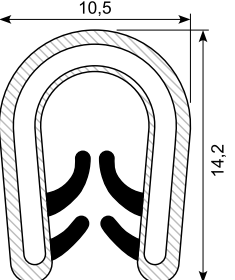
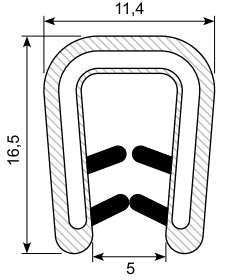
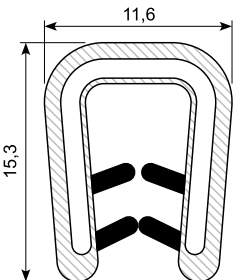
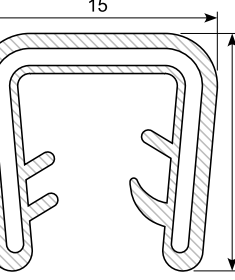
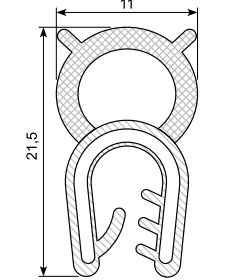
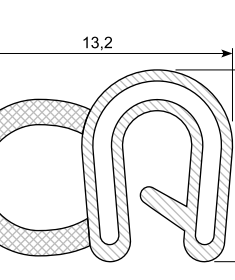
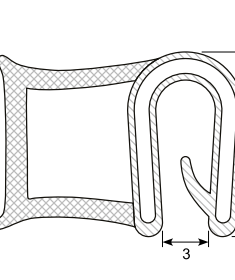
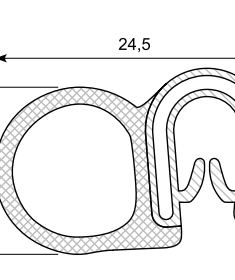
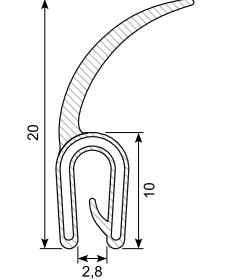
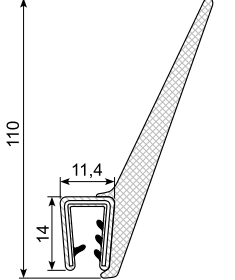
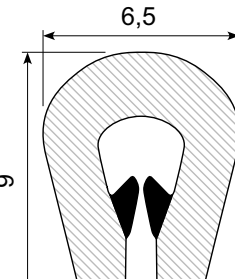
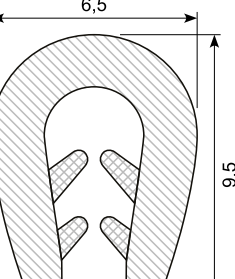
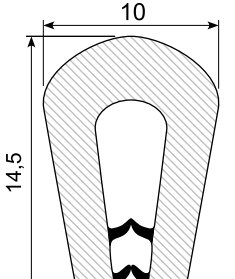
- Fleksibel opbygning pga. hukommelseffekten
- Vejer meget mindre end profiler med metal indlæg
- Kan ikke ruste eller oxidere
- Større sikkerhed ved montering. Man undgår rifter fra skarpe metalstykker
- POM-indlæg er ikke ledende - i modsætning til metal - og kan derfor anvendes til beskyttelse eller overflademateriale

POM trims have inserts made of plastic, which is used as an alternative for steel and metal inserts. This provides more flexible profiles that are non-conductive and do not corrode.

- A much more flexible structure due to the memory effect
- Much lighter than metal-based profiles
- Cannot corrode or oxidize
- Safer mounting. You avoid cuts from sharp metal edges
- POM inserts are non-conductive - unlike metal - and can therefore be used as a protective or surface material.



POM-profiler / POM edge trims

<p>33.409POMX</p>  <p>Edge trim: PVC + bi Grip range: 0,8 - 2,0 mm Hardness: SH 75 / 65 Insert: POM plastic No rust. Easy cutting</p>	<p>33.308POMX / 33.308POMXG</p>  <p>Edge trim: PVC + bi Grip range: 1,0 - 4,0 mm Hardness: SH 75 / 65 Insert: POM plastic No rust. Easy cutting 33.308POMXG: Grey</p>	<p>33.200POMX</p>  <p>Edge trim: PVC + bi Grip range: 1,5 - 4,0 mm Hardness: SH 75 / 65 Insert: POM plastic No rust. Easy cutting</p>	<p>33.201POM</p>  <p>Edge trim: PVC + bi Grip range: 2,0 - 4,0 mm Hardness: SH 75 / 65 Insert: POM plastic No rust. Easy cutting Udgår</p>
<p>33.201POMX</p>  <p>Edge trim: PVC + bi Grip range: 2,5 - 5,0 mm Hardness: SH 75 / 65 Insert: POM plastic No rust. Easy cutting</p>	<p>33.203POMX</p>  <p>Edge trim: PVC + bi Grip range: 5,0 - 8,0 mm Hardness: SH 75 / 65 Insert: POM plastic No rust. Easy cutting</p>	<p>33.211POMX</p>  <p>Edge trim: TPE co-ex Grip range: 1,5 - 4,0 mm Hardness: SH 75 / density 0,65 Insert: POM plastic No rust. Easy cutting</p>	<p>33.213POMX</p>  <p>Edge trim: TPE co-ex Grip range: 1,0 - 2,0 mm Hardness: SH 75 / density 0,65 Insert: POM plastic No rust. Easy cutting</p>
<p>33.214POM</p>  <p>Edge trim: TPE co-ex Grip range: 1,0 - 2,0 mm Hardness: SH 75 / density 0,65 Insert: POM plastic No rust. Easy cutting Udgår</p>	<p>33.216POMX</p>  <p>Edge trim: TPE co-ex Grip range: 1,5 - 4,0 mm Hardness: SH 75 / density 0,65 Insert: POM plastic No rust. Easy cutting</p>	<p>33.220POM</p>  <p>Edge trim: TPE Grip range: 1,0 - 2,0 mm Hardness: SH 75 / density 0,65 Insert: POM plastic No rust. Easy cutting Udgår</p>	<p>33.460-6XLPOM</p>  <p>Edge trim: PVC+bi/sponge rubber Grip range: 2,5 - 5,0 mm Hardness: SH 75/57 / density 0,6 Insert: POM plastic No rust. Easy cutting</p>
<p>33.424</p>  <p>Edge trim: TPE + bi Grip range: 0,8 - 2,5 mm Hardness: SH 87 / 65 - 70 Insert: None Alternative: 33.424TPEX</p>	<p>33.424TPEX</p>  <p>Edge trim: TPE + bi Grip range: 1,0 - 2,0 mm Hardness: SH 90 / 50 Insert: None</p>	<p>33.417TPEX</p>  <p>Edge trim: TPE + bi Grip range: 1,0 - 4,0 mm Hardness: SH 90 / 50 Insert: None</p>	

Gummisnor

Rubber cord profiles

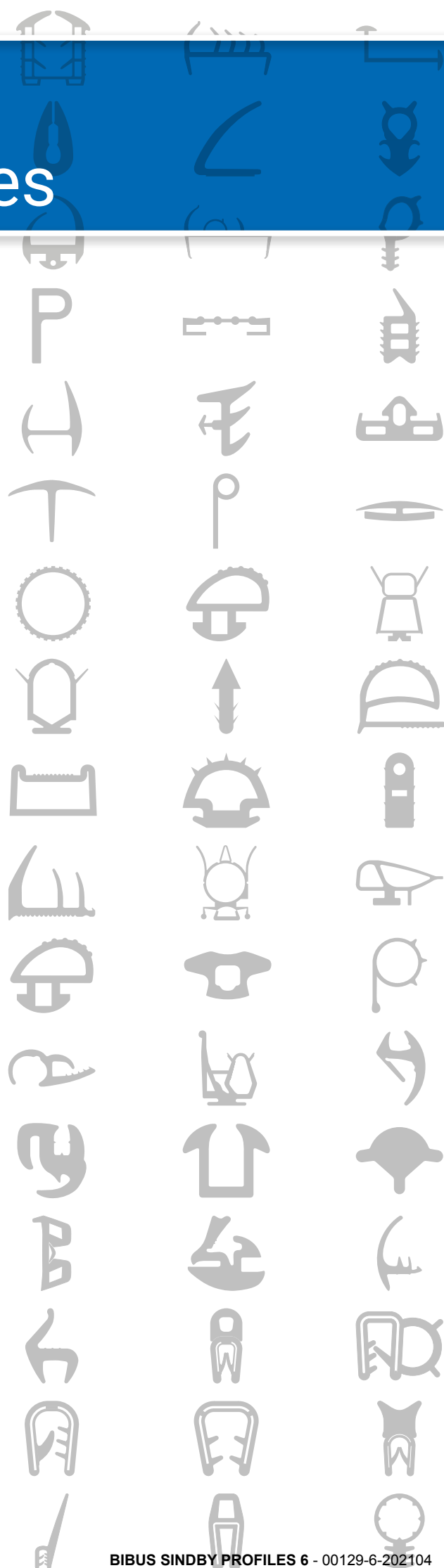
Gummisnor anvendes som pakningsmateriale og kan monteres i f.eks. et udfræset spor eller pålimet.

Uanset hvilken gummisnor du har brug for, har vi løsningen til dig. I vores sortiment fører vi gummisnor i forskellige størrelser (fra 1 mm til 40 mm) og gummityper.

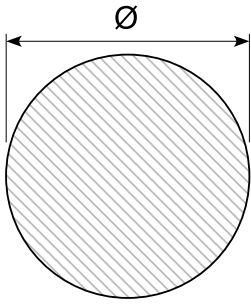
Snorenes egenskaber gør, at de kan anvendes til mange formål.

Rubber cord profiles are used as gasket material and can be inserted in a cutout or glued.

Whatever rubber cord profile you need, we have the solution for you. In our assortment we have rubber cord profiles in different sizes (from 1 mm to 40 mm) and materials. The rubber cords can be used for many purposes, as the materials give them different properties.



Gummisnor / Rubber cord profiles



EPDM, black
Shore A 65 - 70

Art	Ø mm
30.101 *	1
30.101.25 *	1,25
30.101.5	1.5
30.102	2
30.102E	2 (single cord)
30.103E *	3
30.104E	4
30.104.5E *	4,5
30.105E	5
30.106E	6
30.107E	7
30.108E	8
30.109E	9
30.110E	10
30.112E *	12
30.113E	13
30.114E *	14
30.115E *	15
30.116E *	16
30.117E	17
30.118E	18
30.119E	19
30.120E	20
30.121E *	21
30.122E	22
30.124E	24
30.125E *	25
30.135E *	35 (SH 75)

CR, black
Shore A 60

Art	Ø mm
30.103CR *	3
30.103.5CR *	3,5
30.104CR	4
30.104.5CR *	4,5
30.105CR *	5
30.105.3CR *	5,3
30.105.7CR *	5,7
30.106CR *	6
30.106.5CR *	6,5
30.107CR *	7
30.107.5CR *	7,5
30.108CR *	8
30.108.4CR *	8,4
30.109CR *	9
30.109.5CR *	9,5
30.110CR *	10
30.111CR *	11
30.112CR *	12
30.113CR *	13
30.114CR *	14
30.115CR *	15
30.116CR *	16
30.118CR	18
30.120CR *	20
30.122CR *	22
30.125CR *	25
30.130CR *	30
30.132CR *	32
30.140CR *	40
30.150CR *	50

NBR, black
Shore A 65

Art	Ø mm
30.102NBR *	2
30.103NBR	3
30.103.5NBR *	3,5
30.104NBR *	4
30.104.5NBR *	4,5
30.105NBR *	5
30.105.3NBR *	5,3
30.105.7NBR *	5,7
30.106NBR *	6
30.106.5NBR *	6,5
30.107NBR *	7
30.107.5NBR *	7,5
30.108NBR *	8
30.108.4NBR *	8,4
30.109NBR *	9
30.109.5NBR *	9,5
30.110NBR *	10
30.111NBR *	11
30.112NBR *	12
30.113NBR *	13
30.114NBR *	14
30.116NBR *	16
30.118NBR *	18
30.120NBR *	20
30.122NBR *	22
30.125NBR *	25
30.130NBR *	30
30.132NBR *	32
30.135NBR *	35
30.140NBR *	40

Silicone, translucent
Shore A 60

Art	Ø mm
30.103SIH *	3
30.104SIH *	4
30.105SIH	5
30.106SIH	6
30.108SIH *	8
30.108SIHX *	8

Elastiksnor / Rubber cord

Art.	Ø mm
50.260-4	4
50.260-5	5
50.260-6	6
50.260-8	8
50.260-10	10



Specialprofiler

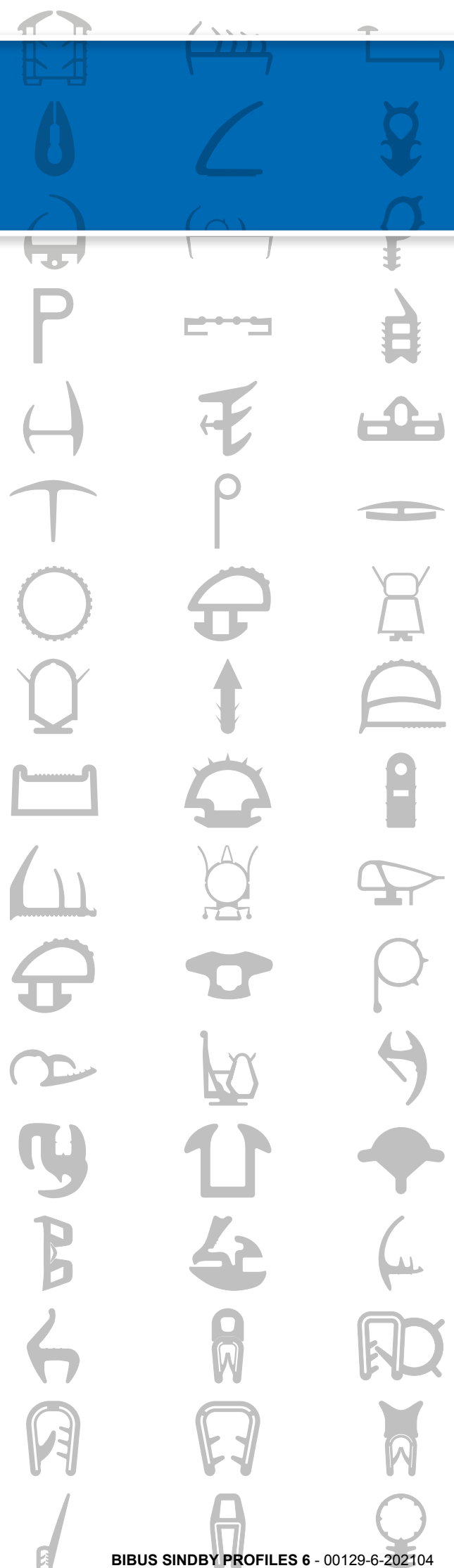
Special profiles

I denne gruppe finder du nogle af vores næsten 7.000 specialprofiler. De kan bruges som forsegling mellem to flader.

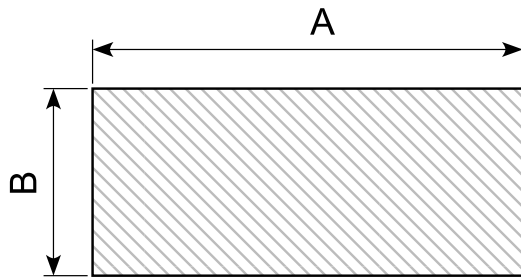
Kun fantasien sætter grænser for mulighederne.

In this group you will find some of our almost 7.000 special profiles. They are used as a seal between two surfaces.

Only the imagination sets limits to the possibilities.



Specialprofiler / Special profiles



Flere størrelser kan skaffes. Find den komplette liste af firkant/retangulærprofiler på vores hjemmeside www.BIBUS-SINDBY.dk eller ved at scanne QR-koden forneden.

Other sizes can be ordered. Scan the QR-code below to find complete list or visit our homepage www.BIBUS-SINDBY.dk.

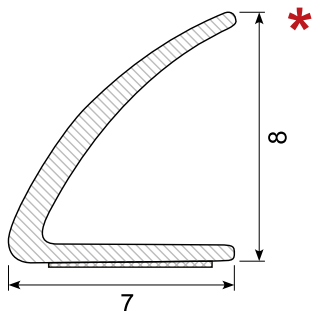


Art.	Material	A (mm)	B (mm)	Hardness	Min. order (m)	Adhesive
30.1201KE *	EPDM	12	1	SH 65	2.000	X
30.6502.5E *	EPDM	65	2,5	SH 65	500	
30.3003E	EPDM	30	3	SH 65		
30.4003E *	EPDM	40	3	SH 65 A	1.000	
30.5003K	SBR	50	3	SH 70		X
30.5003E	EPDM	50	3	SH 65		
30.5004E *	EPDM	50	4	SH 60	600	
30.2005E *	EPDM	20	5	SH 65	3.000	
30.2505E *	EPDM	25	5	SH 65	3.000	
30.3305E *	EPDM	33	5	SH 65	3.000	
30.5005E *	EPDM	50	5	SH 65	2.000	
30.6705E *	EPDM	67	5	SH 65	2.000	
30.7505E *	SBR	75	5	SH 65	1.500	
30.10003K	EPDM	100	3	SH 70		X
30.10005E	EPDM	100	5	SH 65	1.500	
30.15005E *	EPDM	150	5	SH 65	1.000	
30.15005KE	EPDM	150	5	SH 65		X
30.3006E *	EPDM	30	6	SH 65	3.000	
30.5808E *	EPDM	58	8	SH 65	1.500	
30.2310E *	EPDM	23	10	SH 60	500	
30.3310E *	EPDM	33	10	SH 65	2.000	
30.5010E *	EPDM	50	10	SH 65	1.500	
30.6710E *	EPDM	67	10	SH 6 5	1.000	
30.15005E *	EPDM	100	10	SH 65	1.000	
30.2525E	EPDM	25	25	SH 45		

Flere størrelser kan skaffes ved forespørgsel
Other sizes can be obtained on request.

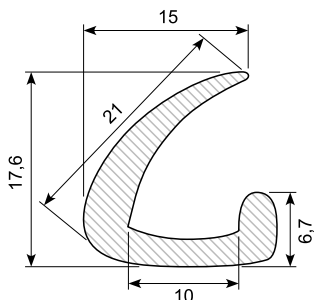
30.262S	30.WI660 *	30.WI747 *	30.9691-2 *
<p>Material: EPDM, black Hardness: SH 65 - 75</p>	<p>Internal: 35 x 40 x 5 mm External: 40 x 45 x 5 mm</p>	<p>Material: EPDM Hardness: SH 60 Min. order: 250 m</p>	<p>Material: EPDM, white Min. order: 504 m</p>
30.7367	30.9691-5 *	30.7696	30.12759
<p>Material: CR, black Hardness: SH 65 Conditional oil resistant</p>	<p>Material: EPDM, white Hardness: SH 65 Min. order: 504 m</p>	<p>Material: CR, black Hardness: SH 65 Conditional oil resistant</p>	<p>Material: EPDM, black Hardness: SH 60A</p>

30.OT1024 / 30.OT1024B



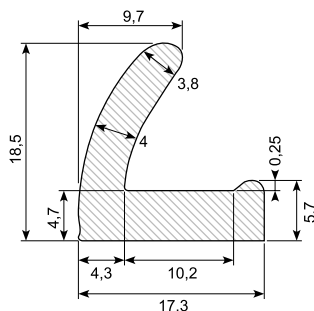
Material: Silicone
 Hardness: SH 60
 With adhesive
 30.OT1024: White
 30.OT1024B: Black

30.216S



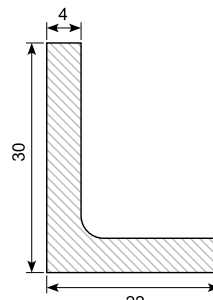
Material: EPDM, black
 Hardness: SH 65

30.218S



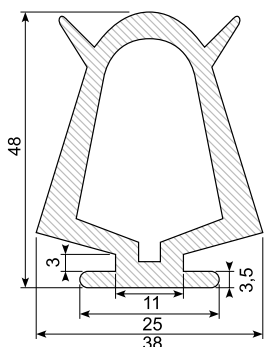
Material: EPDM, black
 Hardness: SH 75 - 81

30.220L



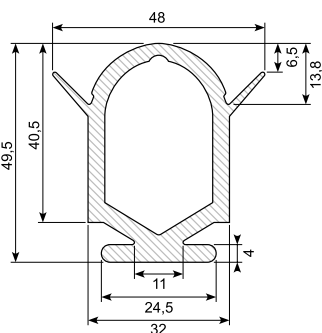
Material: CR, black
 Hardness: SH 65
 Length: 6,5 m
 Conditional oil resistant

30.331



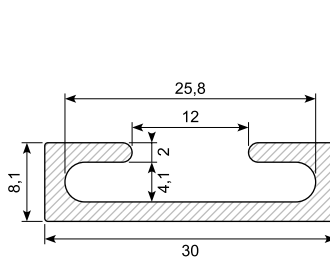
Material: EPDM, black
 Hardness: SH 70

30.9996-10



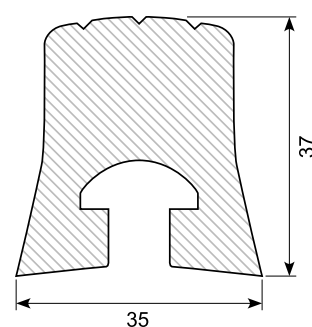
Material: EPDM
 Hardness: SH 70

41.675A / 41.674A



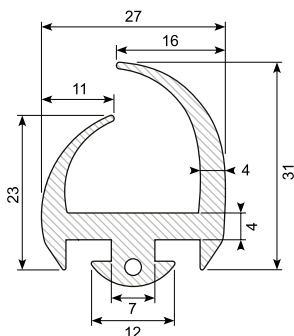
Material: Aluminium
 41.675A: 5,2 m - untreated
 41.674A: 5 m - anodized

39.1208P



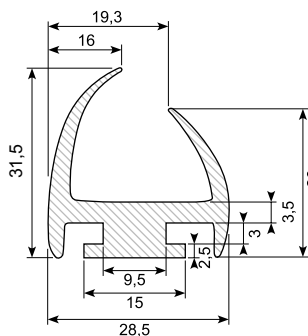
Fender profile with channel
 Material: PE
 Length: 3 m

30.12957-1



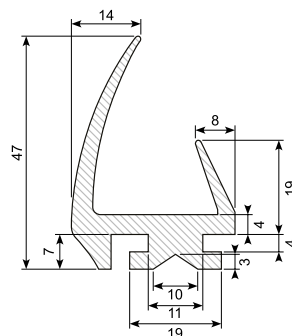
Material: EPDM
 Hardness: SH 65
 Length: 2,5 m

30.7933



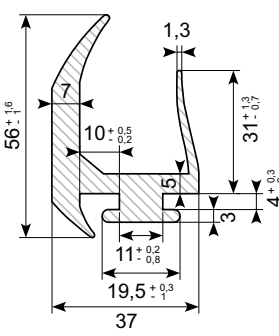
H-profile for aluminium rail
 Material: EPDM
 Hardness: SH 70

30.12957-2



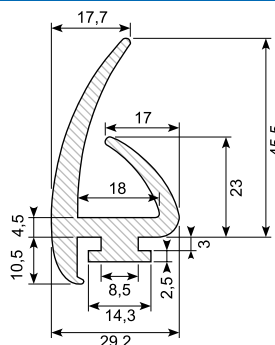
Material: EPDM
 Hardness: SH 65
 Length: 4,3 m

30.14226



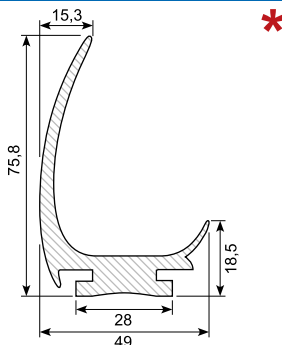
Material: EPDM
 Hardness: SH 60A

30.7932



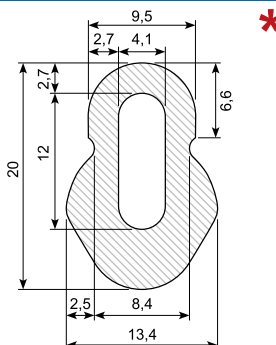
Rubber profile for alu. track
 Material: EPDM
 Hardness: SH 70

30.7935



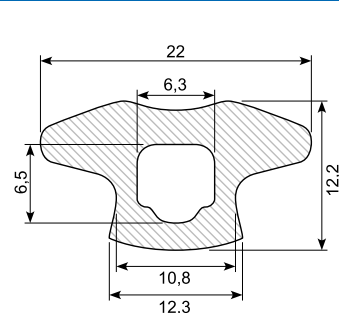
Material: EPDM, black
 Hardness: SH 65
 Length: 2,8 m
 Min. order: 22,4 m

30.7853X



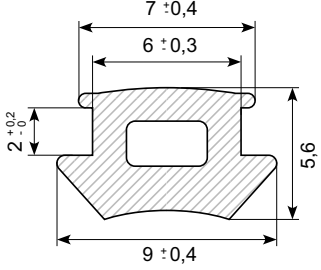
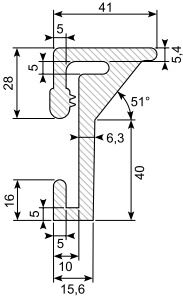

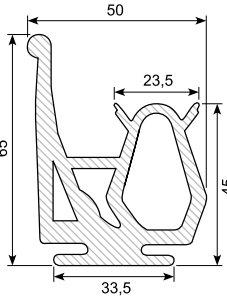
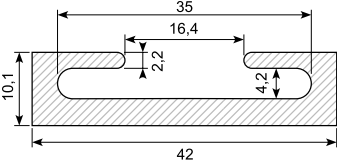
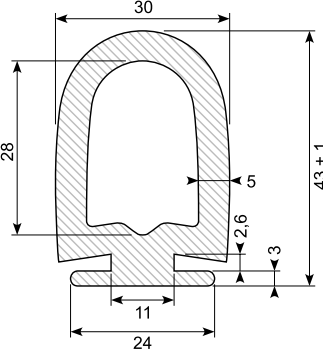
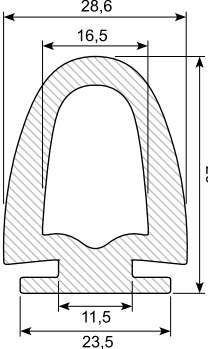
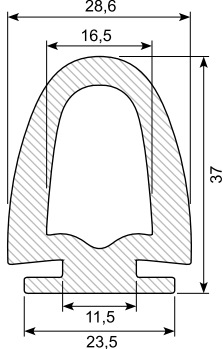
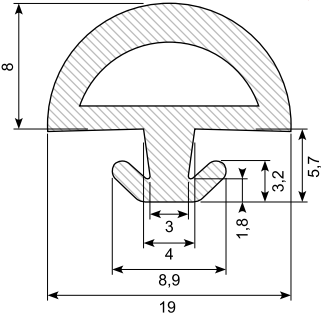
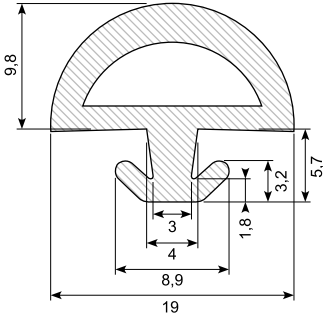
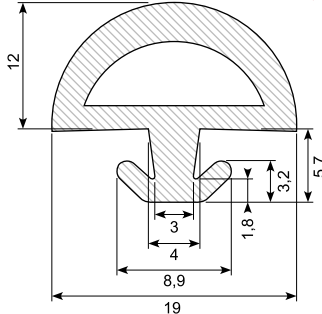
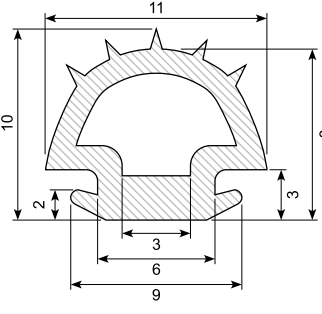
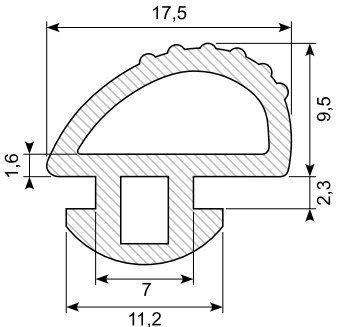
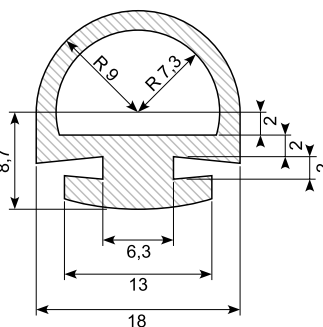
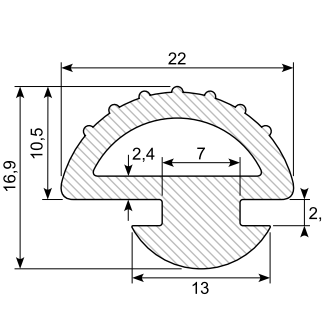
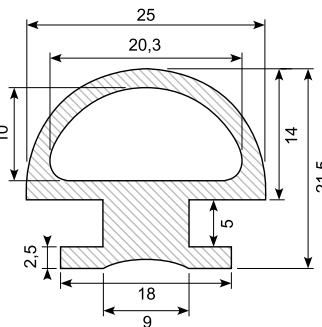
Material: EPDM, black
 Min. order: 800 m

30.7652

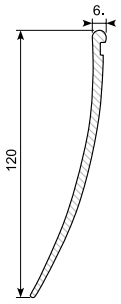
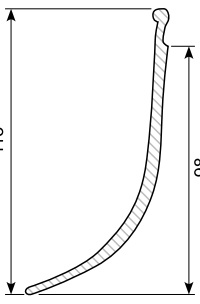
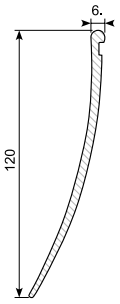
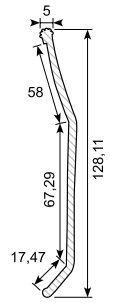
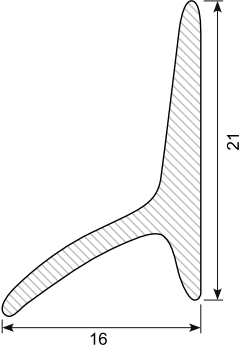
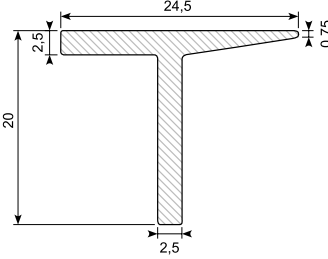
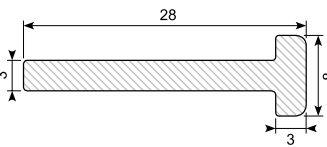
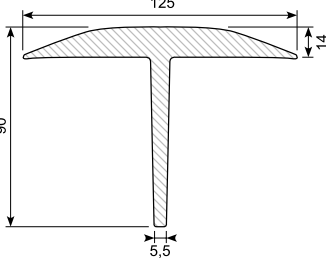
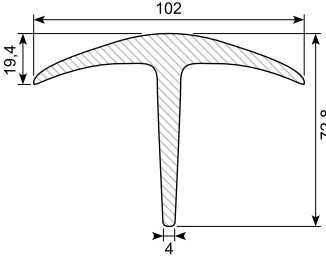
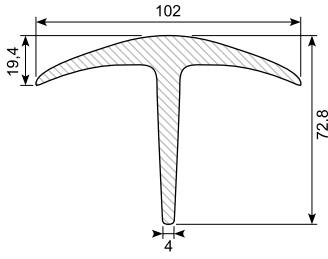
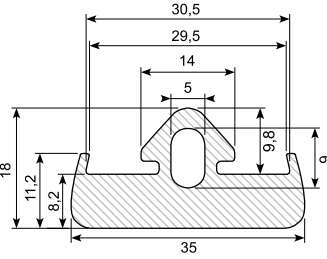
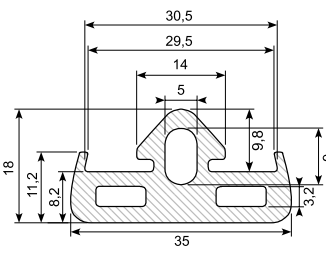
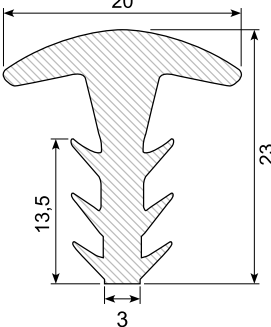
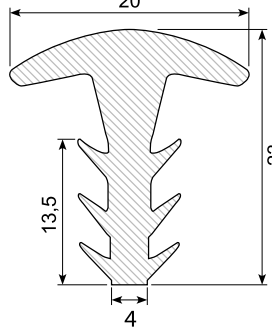
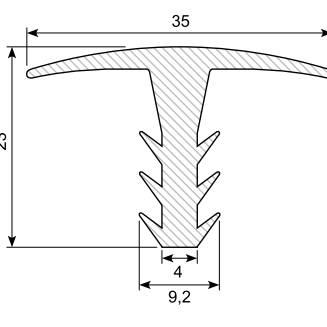
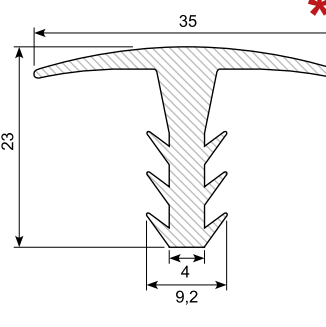


Rubber profile
 Material: EPDM
 Hardness: SH 65

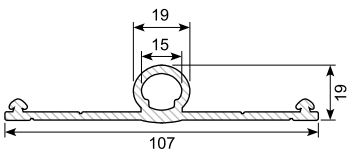
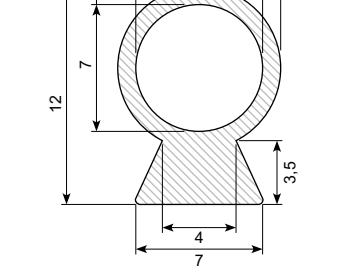
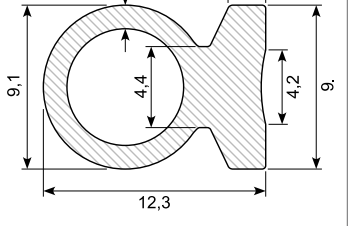
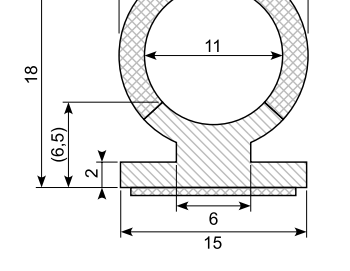
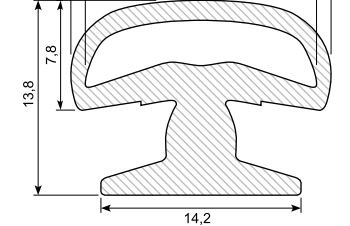
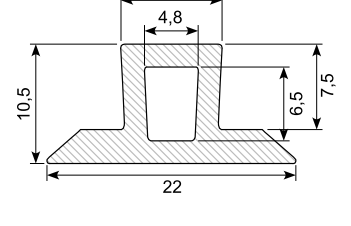
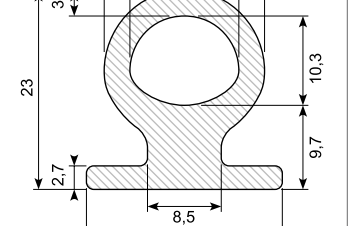
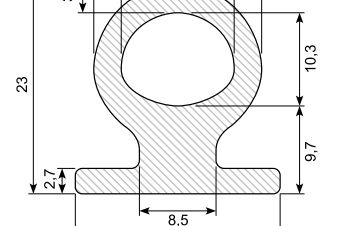
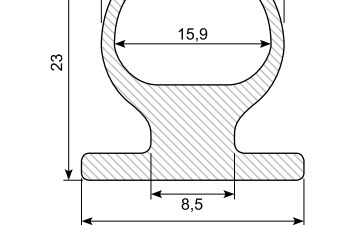
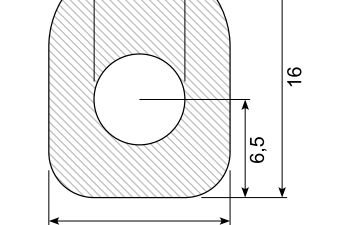
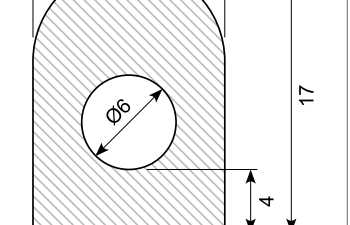
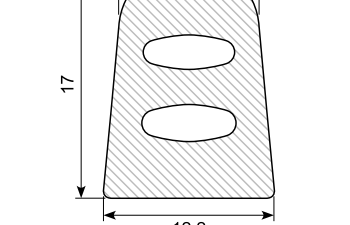
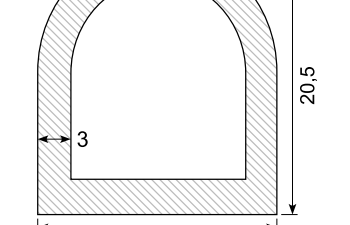
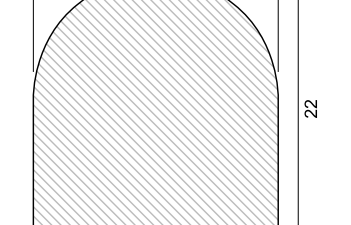
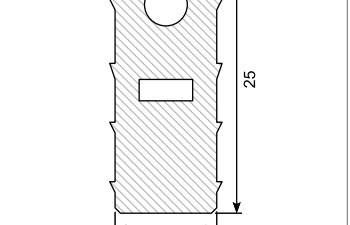
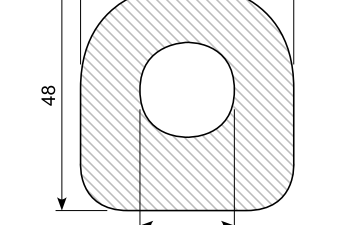
Specialprofiler / Special profiles

<p>30.14253</p>  <p>Material: EPDM Hardness: SH 65A</p>	<p>30.333X</p>  <p>L-profile Material: EPDM Hardware: SH 70 Roll of 50 m</p>	<p>41.333S</p>  <p>Steel profile for mounting of rubber profile 30.333 Length: 2,6 m</p>	<p>30.8469 *</p>  <p>Rubber profile with drip cap. For loading tail board Material: EPDM Hardness: SH 67 Length: 8 m Min. order: 80 m</p>
<p>41.678</p>  <p>Alu c-profil 42 x 10 mm Length: 5,2 m Fits to 30.8469</p>	<p>30.325X</p>  <p>Material: EPDM, black Hardness: SH 65 Length: 5 m</p>	<p>30.324S</p>  <p>Material: EPDM, black Hardness: SH 65 Length: 5 m</p>	<p>30.324SB</p>  <p>Material: EPDM, black Hardness: SH 45 (soft) Length: 5 m</p>
<p>30.7649-8 *</p>  <p>D-weatherstrip Material: EPDM, black Hardness: SH 60 Min. order: 1.000 m</p>	<p>30.7649</p>  <p>D-weatherstrip Material: EPDM, black Hardness: SH 60</p>	<p>30.7649-12 *</p>  <p>D-weatherstrip Material: EPDM, black Hardness: SH 60 Min. order: 1.000 m</p>	<p>30.12957-3</p>  <p>Material: EPDM Hardness: SH 60</p>
<p>30.14098-2</p>  <p>Material: EPDM Hardness: SH 60A</p>	<p>30.9691-3</p>  <p>Material: EPDM, black Hardness: SH 65</p>	<p>30.7650</p>  <p>D-weatherstrip Material: EPDM Hardness: SH 70</p>	<p>30.5881</p>  <p>Material: CR, black Hardness: SH 65 Conditional oil resistant</p>

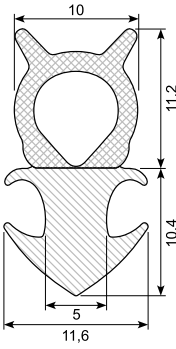
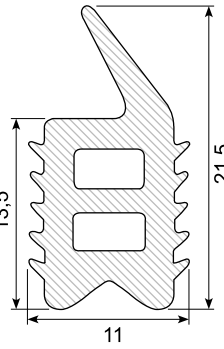
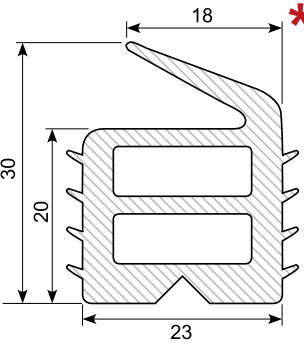
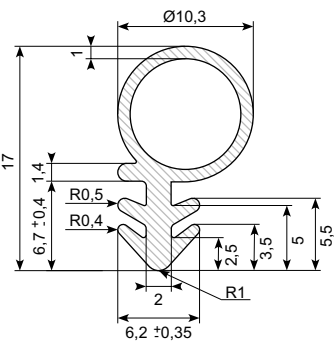
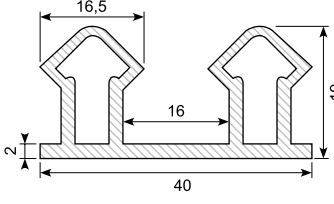
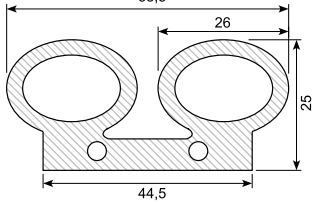
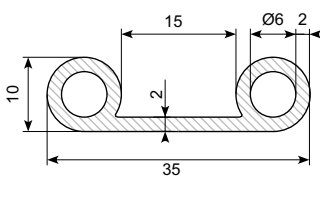
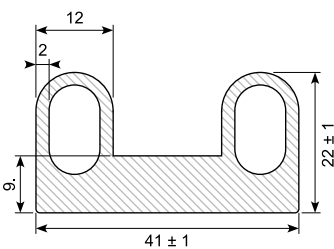
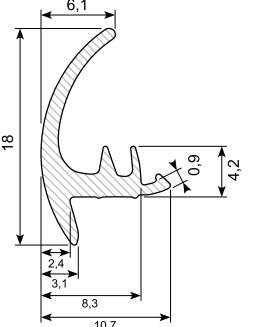
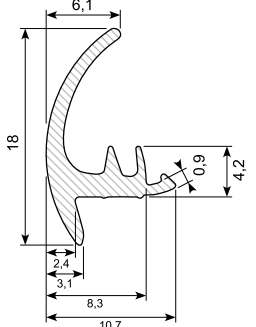
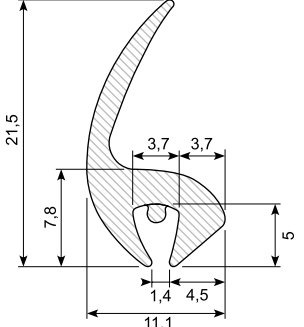
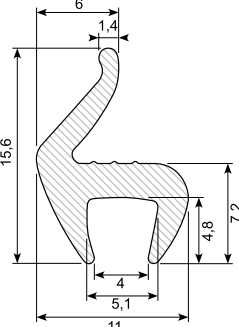
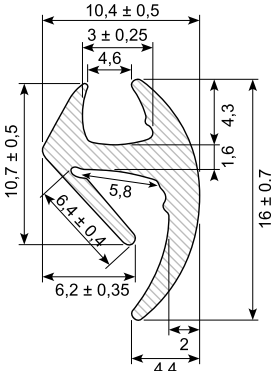
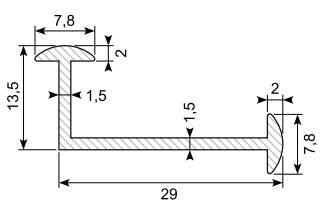
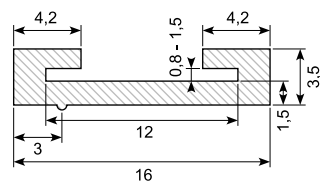
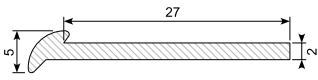
Specialprofiler / Special profiles

<p>30.2151 *</p>  <p>Skirt profile Hardness: PVC, white Roll of 14 m Min. order: 560 m</p>	<p>30.6648 / 30.6648G / 30.6648S</p>  <p>Skirt profile Hardness: SH 75 30.6648: EPDM black 30.6648G: TPE grey 30.6648S: TPE black</p>	<p>30.2151S *</p>  <p>Material: PVC, black Hardness: SH 75 - 80 Min. order: 280 m</p>	<p>30.2566</p>  <p>Skirt profile Material: PVC, black Hardness: SH 80 Height: 125 mm Length: 1 m Roll of 64 m</p>
<p>30.257S *</p>  <p>Material: EPDM, black Hardness: SH 65</p>	<p>30.258 *</p>  <p>Material: EPDM, black Min. order: 1.000 m</p>	<p>30.5560 *</p>  <p>Material: EPDM, black Hardness: SH 65 Min. order: 450 m</p>	<p>30.7780/4</p>  <p>Material: EPDM, black Hardness: SH 65 Length: 4 m</p>
<p>30.7300 / 30.7300/4</p>  <p>Material: EPDM, black Hardness: SH 65 30.7300 - Length: 3 m 30.7300/4 - Length: 4 m</p>	<p>30.7300/4Y *</p>  <p>Material: EPDM, yellow Hardness: SH 65 Min. order: 64 m</p>	<p>30.6944 *</p>  <p>Material: EPDM, black Hardness: SH 65 Min. order: 200 m</p>	<p>30.5550M</p>  <p>Material: EPDM, black Hardness: SH 65</p>
<p>30.2653 *</p>  <p>Material: EPDM, black Hardness: SH 65 Min. order: 1.000 m</p>	<p>30.5981</p>  <p>Material: EPDM, black Hardness: SH 65</p>	<p>30.8199</p>  <p>Material: EPDM, black Hardness: SH 65 Length: 4 m</p>	<p>30.8199W *</p>  <p>Material: EPDM, white Hardness: SH 65 Length: 4 m Min. order: 223 m</p>

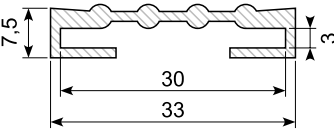
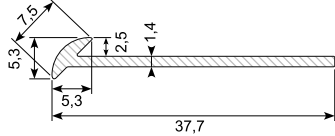
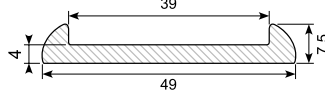
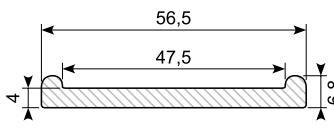
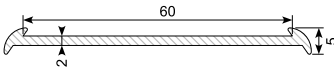
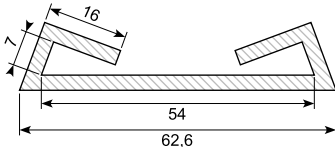
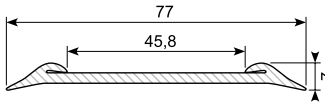
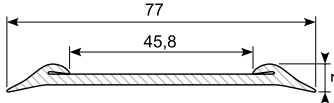
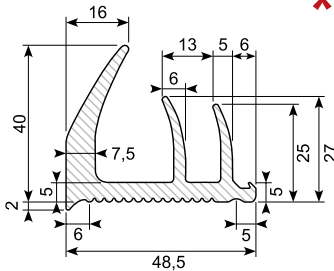
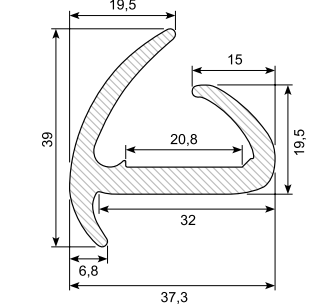
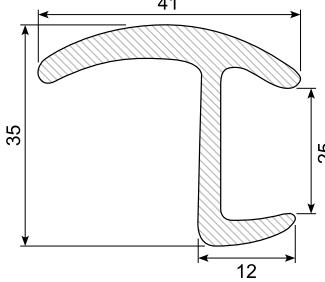
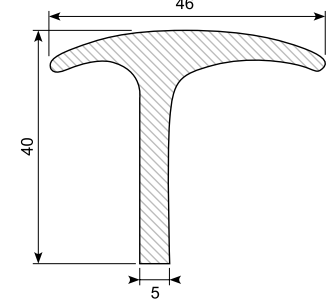
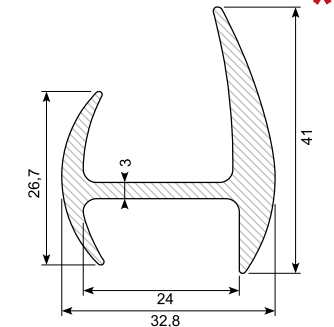
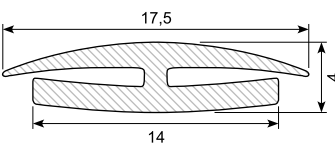
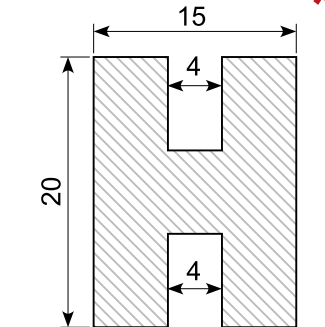
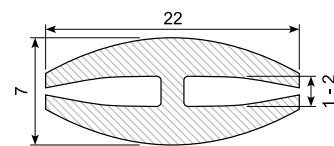
Specialprofiler / Special profiles

<p>30.7770 *</p>  <p>Material: EPDM, black Hardness: SH 65 Min. order: 200 m</p>	<p>30.314S</p>  <p>Rubber profile Material: EPDM Hardness: SH 60 / 65</p>	<p>30.7651</p>  <p>Balloon profile Material: EPDM Hardness: SH 65</p>	<p>30.313</p>  <p>Co-ex profile Material: EPDM / sponge rubber Hardness: SH 80 With adhesive</p>
<p>30.7648</p>  <p>Material: EPDM, black Hardness: SH 65</p>	<p>30.7106 *</p>  <p>Material: EPDM, black Hardness: SH 65 Min. order: 1.000 m</p>	<p>30.315S</p>  <p>Material: EPDM, black Hardness: SH 65 Length: 10 m</p>	<p>30.315SB</p>  <p>Material: EPDM, black Hardness: SH 45 Length: 10 m</p>
<p>30.7613 *</p>  <p>Material: EPDM, black Hardness: SH 60 Min. order: 500 m</p>	<p>30.50967 *</p>  <p>Material: NBR, black Hardness: SH 65 Min. order: 500 m Oil resistant</p>	<p>30.13841</p>  <p>Material: NBR, black Hardness: SH 45A Oil resistant</p>	<p>30.14053</p>  <p>Material: NBR, black Hardness: SH 50A Oil resistant</p>
<p>30.OT3354</p>  <p>Material: Silicone, white Hardness: SH 60</p>	<p>30.7645 *</p>  <p>Material: EPDM, black Hardness: SH 45 Min. order: 50 m</p>	<p>30.13421</p>  <p>Material: EPDM Hardness: SH 65</p>	<p>30.7559 *</p>  <p>Material: NBR, black Hardness: SH 60 Oil resistant Min. order: 30 m</p>

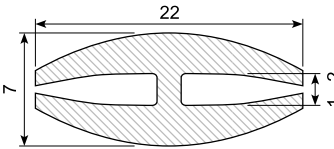
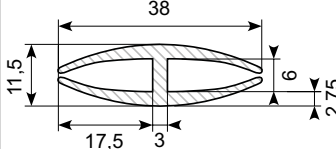
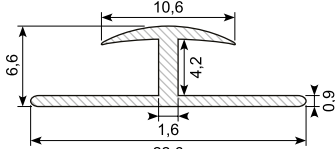
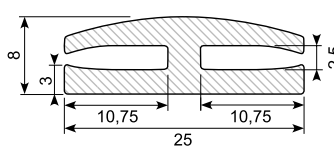
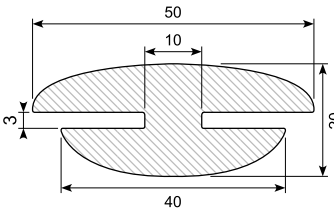
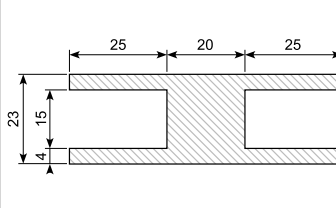
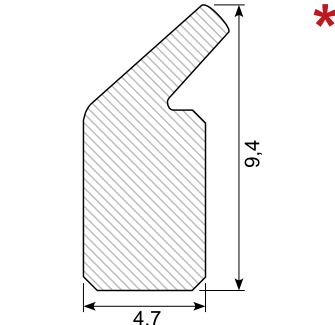
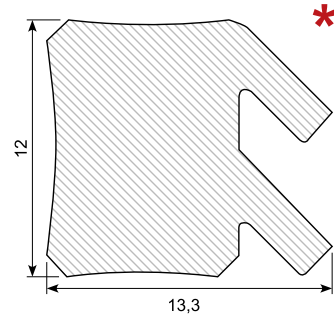
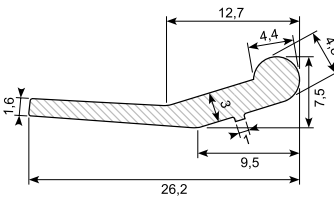
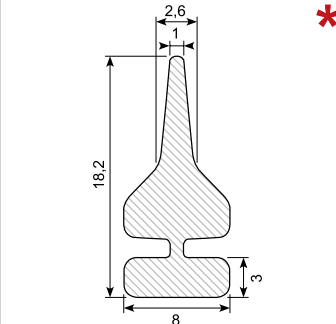
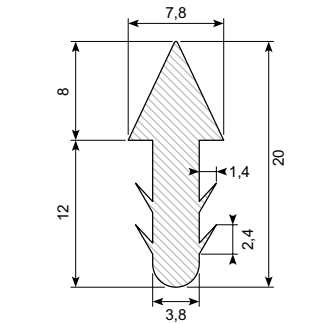
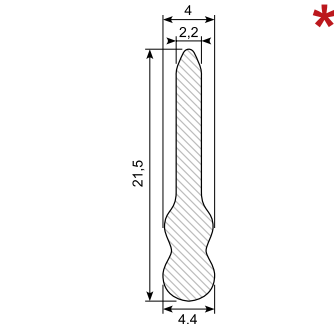
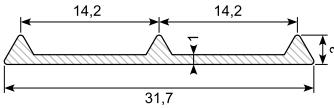
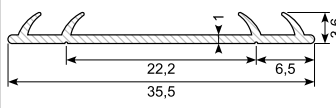
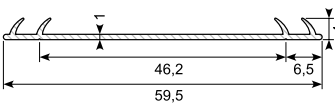
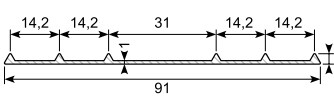
Specialprofiler / Special profiles

<p>30.14130</p>  <p>Co-ex profile Material: EPDM Hardness: SH 70 / density 85-95</p>	<p>30.190</p>  <p>Material: PVC Hardness: SH 57</p>	<p>30.8270</p>  <p>Material: EPDM, black Hardness: SH 57 Min. order: 150 m</p>	<p>30.OT10644</p>  <p>Material: Silicone, light grey Ø10 mm balloon</p>
<p>30.OT1387</p>  <p>Material: Silicone, grey Hardness: SH 60 Min. order: 40 m</p>	<p>30.OT3272</p>  <p>Material: Silicone, blue Hardness: SH 60 Min. order: 50 m</p>	<p>30.1428</p>  <p>Material: Silicone, red/brown Hardness: SH 60</p>	<p>30.15170</p>  <p>Material: PVC, black Hardness: SH 72</p>
<p>32.8518</p>  <p>End-stop profile Material: EPDM Hardness: SH 65 Roll of 50 m</p>	<p>32.8518W</p>  <p>Material: EPDM, white RAL 9003 Hardness: SH 60 Min. order: 1.500 m</p>	<p>32.8517</p>  <p>End-stop profile Material: EPDM Hardness: SH 65 Roll of 50 m</p>	<p>32.8520</p>  <p>Universal end-stop profile Material: EPDM Hardness: SH 65 Roll of 50 m</p>
<p>31.369</p>  <p>End-stop profile Material: EPDM, black Hardness: SH 65</p>	<p>30.12553-2</p>  <p>Material: EPDM, black Hardness: SH 60A Min. order: 1.500 m</p>	<p>30.798</p>  <p>Material: EPDM, black Hardness: SH 65</p>	<p>30.14163-1</p>  <p>Material: EPDM Hardness: SH 65</p>

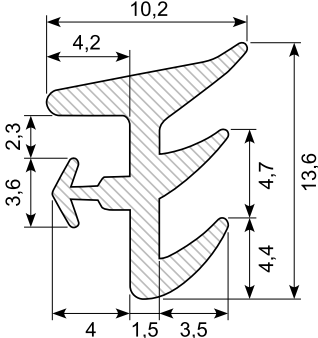
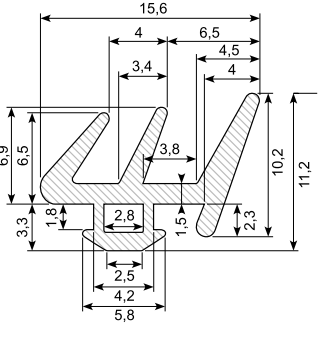
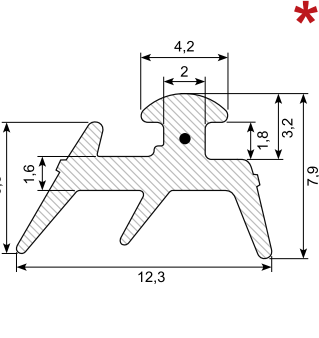
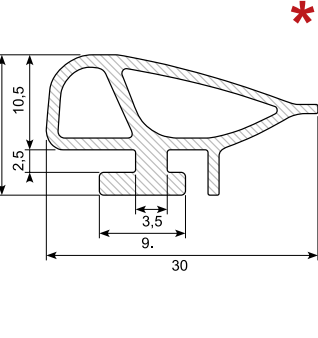
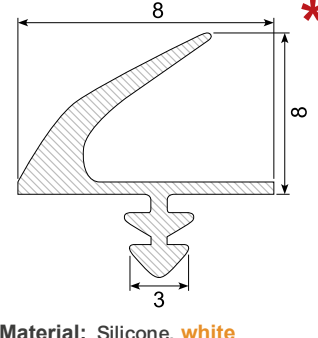
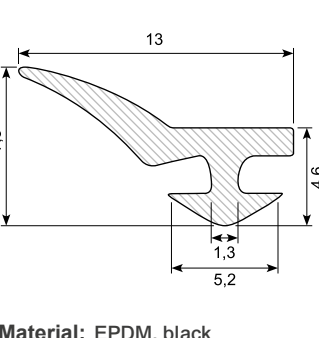
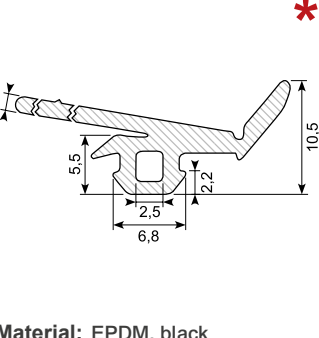
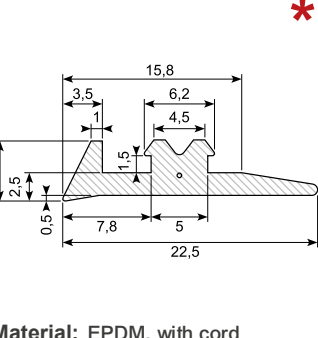
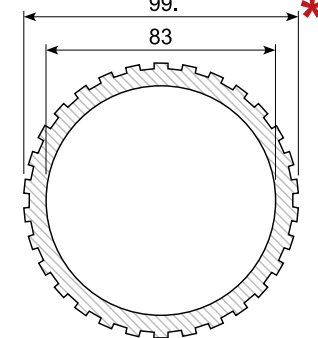
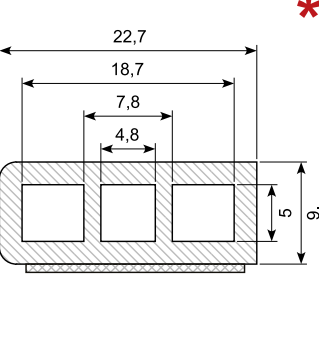
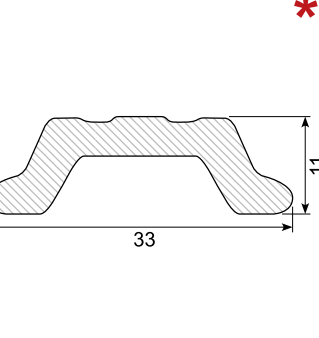

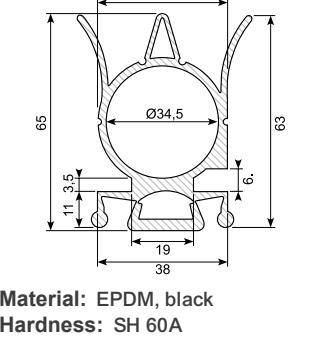
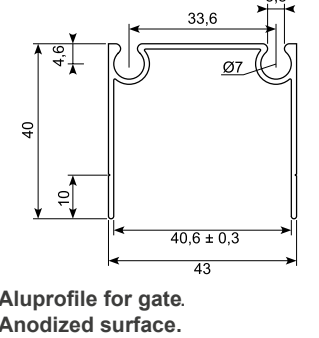
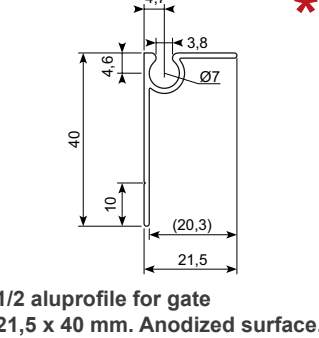
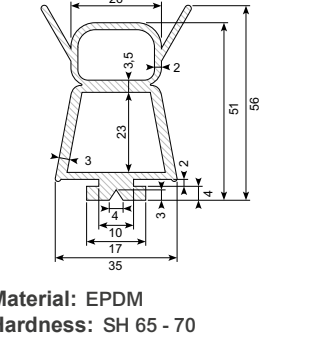
Specialprofiler / Special profiles

30.144	30.5179	30.141	30.142S
 <p>Material: EPDM, black Hardness: SH 60</p>	 <p>Material: EPDM</p>	 <p>Material: EPDM Hardness: SH 60</p>	 <p>Material: EPDM, black Hardness: SH 65</p>
30.14163	30.8331	30.145W	30.145
 <p>Material: EPDM Hardness: SH 65</p>	 <p>Material: EPDM, black Hardness: SH 65</p>	 <p>Material: EPDM, white Hardness: SH 65 Min. order: 300 m</p>	 <p>Material: EPDM, black Hardness: SH 70 Min. order: 200 m</p>
30.13447-8	30.7663	30.340	30.2438
 <p>Container profile Material: EPDM Hardness: SH 70 Length: 2,5 m Min. order: 500 m</p>	 <p>Material: EPDM, black Hardness: SH 65 Length: 5 m</p>	 <p>Material: EPDM, black Hardness: SH 50 Length: 3 m</p>	 <p>Material: EPDM, black Hardness: SH 65 Length: 2,2 m</p>
30.4437	30.7411	30.13062	34.7528-2H
 <p>Material: EPDM, black Hardness: SH 60 Min. order: 85 m</p>	 <p>Material: EPDM, black Hardness: SH 65 Grip range: 1 - 1,5 mm</p>	 <p>Material: EPDM Hardness: SH 65 Min. order: 500 m</p>	 <p>Material: PVC, white</p>

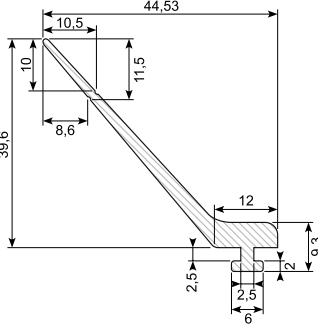
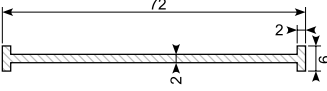
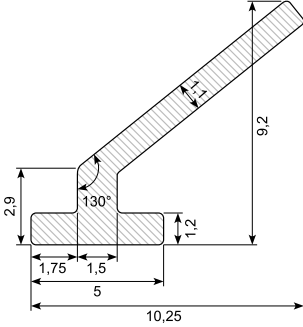
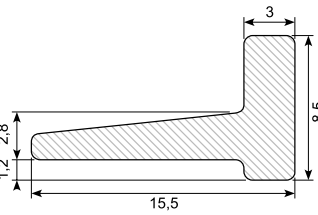
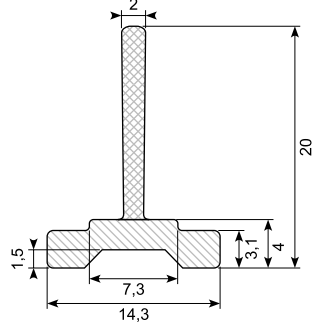
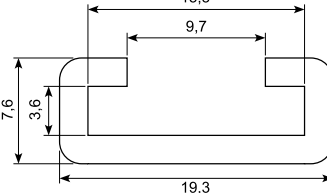
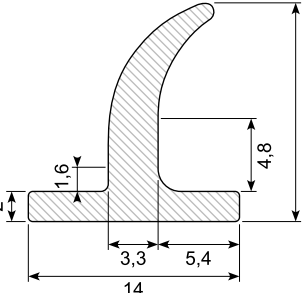
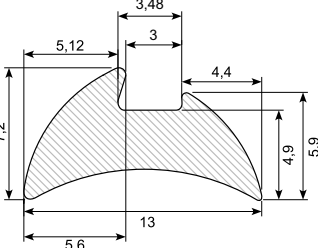
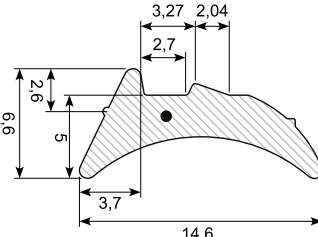
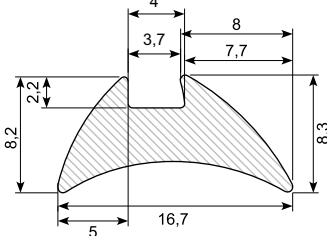
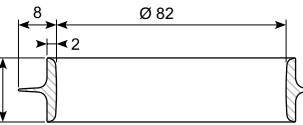
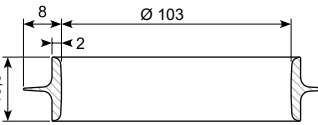
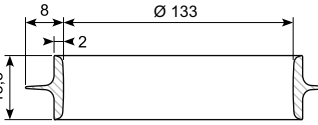
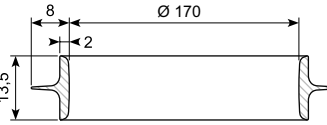
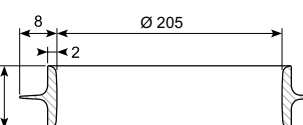
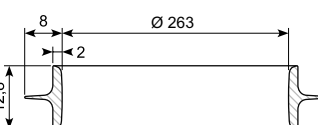
Specialprofiler / Special profiles

34.7528-2 *	30.21202300	34.3546 *	30.762
 <p>Material: PVC, grey</p>	 <p>Material: EPDM Hardness: SH 70A For 6 mm glas plate</p>	 <p>Material: PVC, white</p>	 <p>Material: EPDM, black Hardness: SH 65</p>
30.7266 *	30.12932-2 *	30.29300-130 *	30.29300-129 *
 <p>Material: EPDM, black Hardness: SH 65 Min. order: 50 m</p>	 <p>Material: EPDM, black Hardness: SH 60 Min. order: 400 m</p>	 <p>Material: CR, black Hardness: SH 65 Conditional oil resistant Min. order: 100 m</p>	 <p>Material: CR, black Hardness: SH 65 Conditional oil resistant Min. order: 300 m</p>
30.16688	30.7811 *	30.11905	30.7249 *
 <p>Material: EPDM Hardness: SH 70</p>	 <p>Material: EPDM, black Hardness: SH 60 Min. order: 1.500 m</p>	 <p>Material: Silicone, black Hardness: SH 50</p>	 <p>Material: CR, black Hardness: SH 70 Conditional oil resistant Min. order: 500 m</p>
30.13049-4	30.13049-2 *	30.13049-1 *	30.13049-5
 <p>Material: EPDM, black Hardness: SH 60A</p>	 <p>Material: EPDM Hardness: SH 60A Min. order: 5.000 m</p>	 <p>Material: EPDM Hardness: SH 60A Min. order: 4.000 m</p>	 <p>Material: EPDM, black Hardness: SH 60A</p>

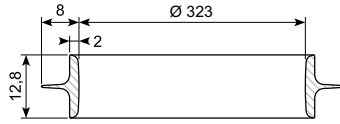
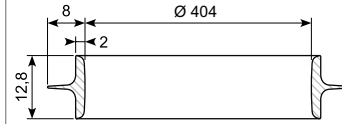
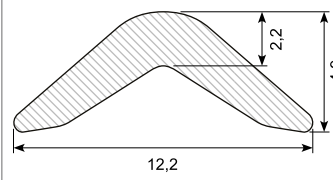
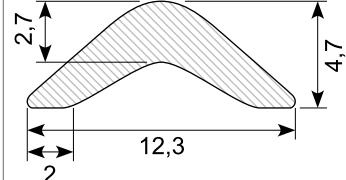
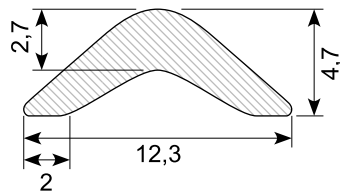
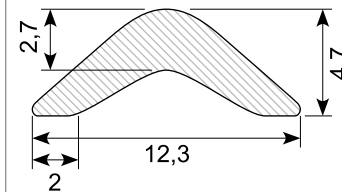
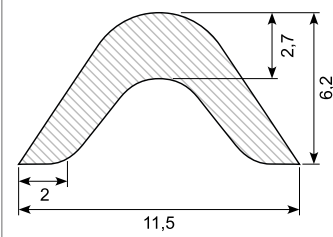
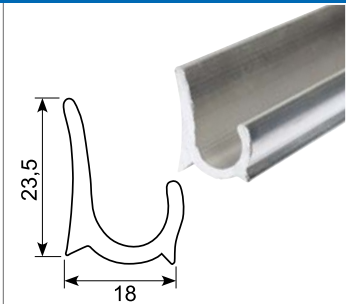
Specialprofiler / Special profiles

<p>30.4469</p>  <p>Material: EPDM Hardness: SH 60 Coated with silicone</p>	<p>30.10485</p>  <p>Material: EPDM Coated with silicone</p>	<p>30.9387-2 *</p>  <p>Material: EPDM With internal cord Min. order: 5.000 m</p>	<p>30.13796 *</p>  <p>Material: EPDM, black Hardness: SH 75A Min. order: 1.000 m</p>
<p>30.OT1092 *</p>  <p>Material: Silicone, white Min. order: 300 m</p>	<p>31.702</p>  <p>Material: EPDM, black Hardness: SH 70 Conditional oil resistant</p>	<p>30.7507 *</p>  <p>Material: EPDM, black Hardness: SH 65 Min. order: 1.000 m</p>	<p>30.10461-2 *</p>  <p>Material: EPDM, with cord</p>
<p>30.7845 *</p>  <p>Material: SBR, black Hardness: SH 70 Min. order: 51 m</p>	<p>30.16977 *</p>  <p>Material: PVC hard, white With adhesive Min. order: 3.000 m</p>	<p>30.5596 *</p>  <p>Material: EPDM, black Hardness: SH 65 Min. order: 500 m</p>	<p>52.PP106 *</p>  <p>Material: NR / SBR Cable transmission. Roll 9 m</p>
<p>30.13503</p>  <p>Material: EPDM, black Hardness: SH 60A For track 41.13459</p>	<p>41.13459</p>  <p>Aluprofile for gate. Anodized surface. Length: 6 m. Calculated weight: 479 g/m. For profile: 30.13503</p>	<p>41.13459X *</p>  <p>1/2 aluprofile for gate 21,5 x 40 mm. Anodized surface. Length: 6 m. Calculated weight: 239 g/m For profile: 30.13503 Min. order: 50 pcs. + add on costs</p>	<p>30.9215</p>  <p>Material: EPDM Hardness: SH 65 - 70</p>

Specialprofiler / Special profiles

<p>30.9826-1</p>  <p>Material: EPDM Hardness: SH 70</p>	<p>30.9826-2</p>  <p>Material: EPDM Hardness: SH 70</p>	<p>30.10036</p>  <p>Material: EPDM Hardness: SH 70</p>	<p>30.9996-6</p>  <p>Material: EPDM Hardness: SH 60 Min. order: 1.200 m</p>
<p>30.13242</p>  <p>Material: EPDM co-ex Hardness: SH 85 / 62 Length: 3.000 mm (Rail see 41.670)</p>	<p>41.670</p>  <p>Ellexeret alu. 3 m med montagehuller. Ø4 hver 200 mm. For profile 30.13242</p>	<p>30.16239</p>  <p>Material: EPDM Hardness: SH 70</p>	<p>30.9996-5</p>  <p>Material: EPDM Hardness: SH 70</p>
<p>30.9387-1</p>  <p>Material: EPDM Hardness: SH 70 With cord</p>	<p>30.9996-4</p>  <p>Material: EPDM Hardness: SH 70</p>	<p>30.9437-100</p>  <p>Ventilation ring Material: EPDM, black Hardness: SH 60 - 65</p>	<p>30.9437-125</p>  <p>Ventilation ring Material: EPDM, black Hardness: SH 60 - 65</p>
<p>30.9437-160</p>  <p>Ventilation ring Material: EPDM, black Hardness: SH 60 - 65</p>	<p>30.9437-200</p>  <p>Ventilation ring Material: EPDM, black Hardness: SH 60 - 65</p>	<p>30.9437-250</p>  <p>Ventilation ring Material: EPDM, black Hardness: SH 60 - 65</p>	<p>30.9437-315</p>  <p>Ventilation ring Material: EPDM, black Hardness: SH 60 - 65</p>

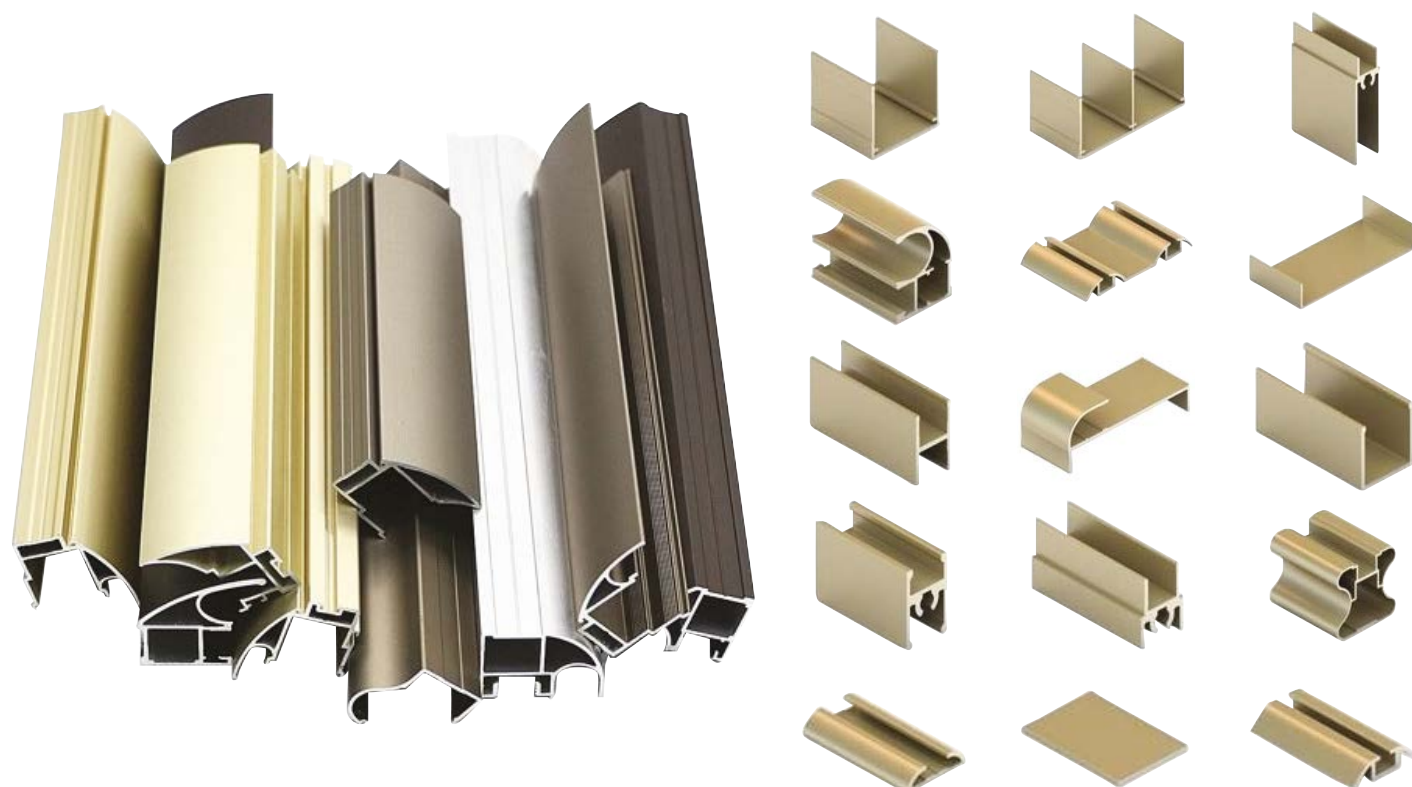
Specialprofiler / Special profiles

30.9437-400	30.9437-500	45.205SX	45.209BX
 <p>Ventilation ring Material: EPDM, black Hardness: SH 60 - 65</p>	 <p>Ventilation ring Material: EPDM, black Hardness: SH 60 - 65</p>	 <p>Material: PVC, silver grey</p>	 <p>Material: PVC, black</p>
45.210BX	45.210C / 45.210CX	45.208	41.406
 <p>Material: PVC, white</p>	 <p>Material: PVC, off white</p>	 <p>Material: PVC, blue</p>	 <p>Water gutter, unpolished Size: 17 x 24 Length: 5 m</p>

Alu-profiler / Alu profiles

Vi kan skaffe alu-profiler i mange forskellige størrelser og former.

We can get alu profiles in many different sizes and shapes.



Skaffevarer - Silikoneprofiler

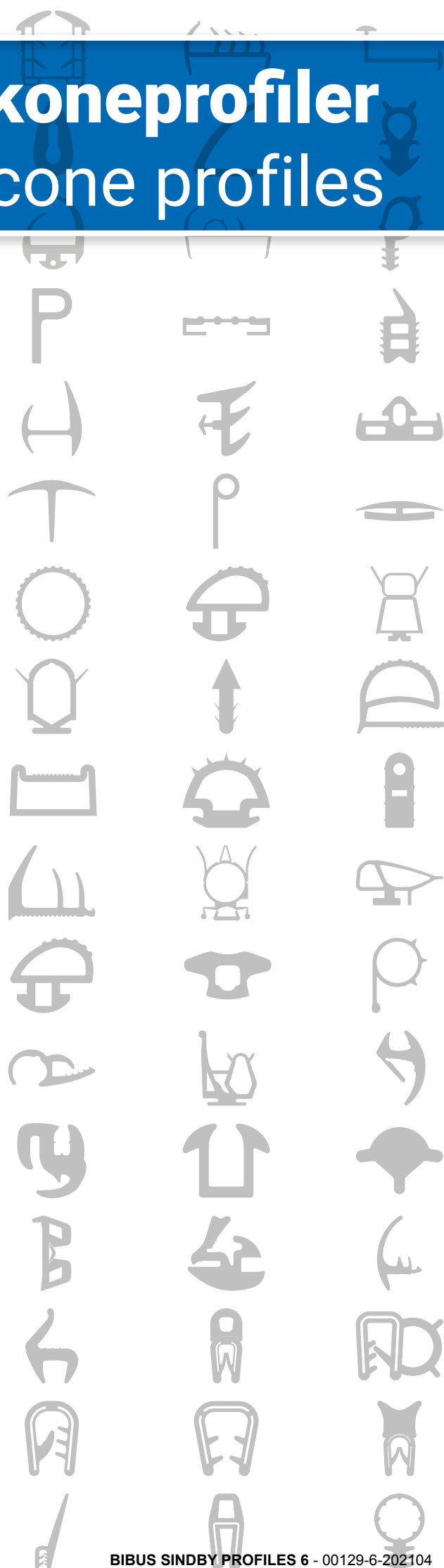
Special order - Silicone profiles

Her kan du finde et udvalg af de silikoneprofiler, vi kan skaffe på bestilling.

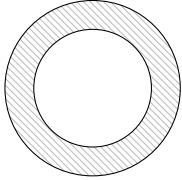
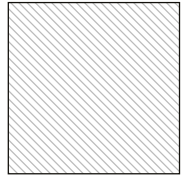
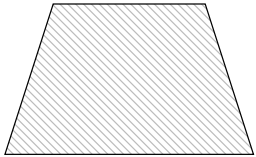
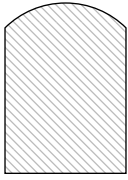
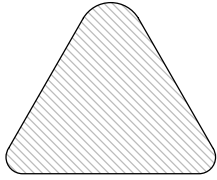
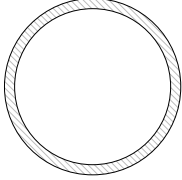
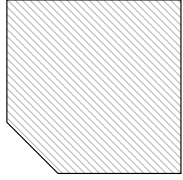
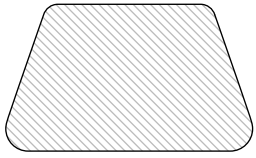
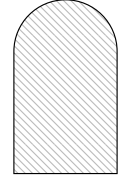
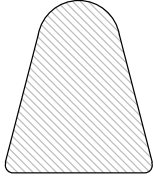
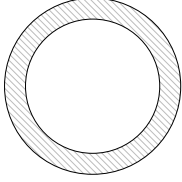
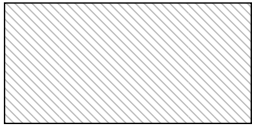
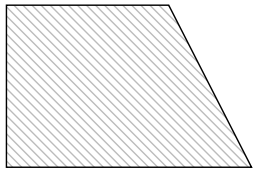
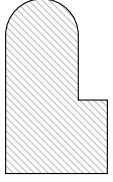
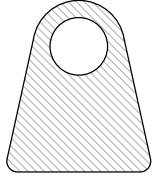
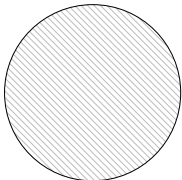

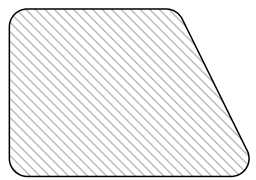
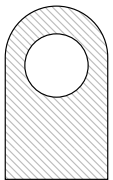
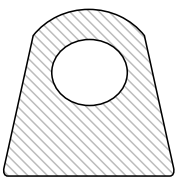
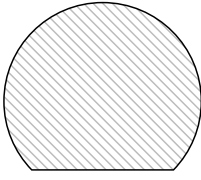
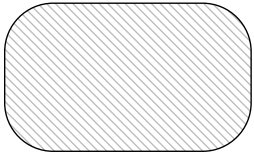
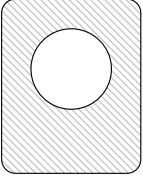
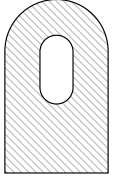
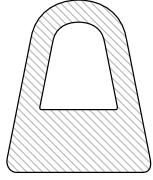
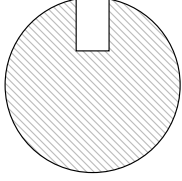
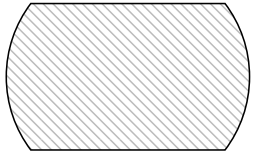
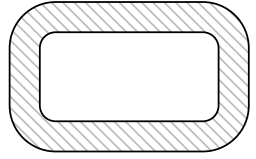
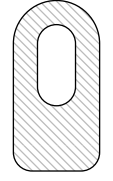
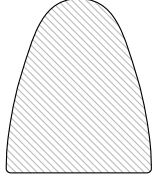
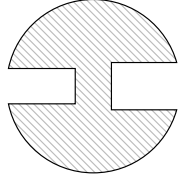
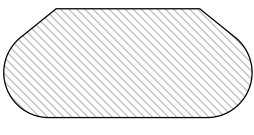
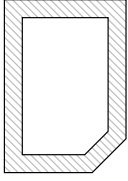
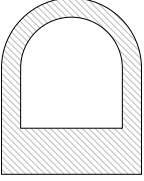
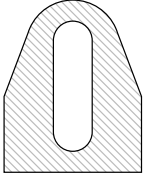
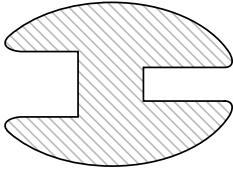
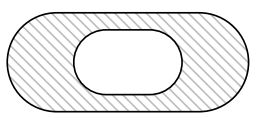
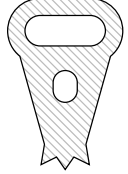
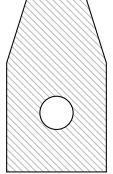
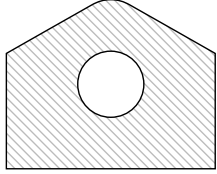
Hvis du vil se mere, kan du scanne QR-koden forneden for at hente kataloget med silikoneskaffe profiler på vores hjemmeside BIBUS-SINDBY.dk.

Here you can find a selection of the silicone profiles we can provide on order.

If you want to see more, you can scan the QR-code below to download the catalog with special order silicone profiles on our website BIBUS-SINDBY.dk.



Skaffevarer - Silikoneprofiler / Special order - Silicone profiles

Group 0010 	Group 0021 	Group 0023 	Group 0107 	Group 0030 
Group 0011 	Group 0175 	Group 0201 	Group 0106 	Group 0120 
Group 0012 	Group 0022 	Group 0024 	Group 0209 	Group 0124 
Group 0020 	Group 0101 	Group 0025 	Group 0111 	Group 0126 
Group 0121 	Group 0100 	Group 0109 	Group 0110 	Group 0125 
Group 0139 	Group 0108 	Group 0153 	Group 0112 	Group 0160 
Group 0150 	Group 0186 	Group 0169 	Group 0192 	Group 0159 
Group 0178 	Group 0113 	Group 0208 	Group 0214 	Group 0119 

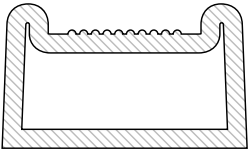
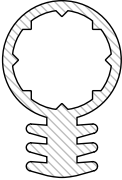
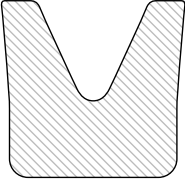
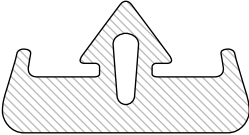
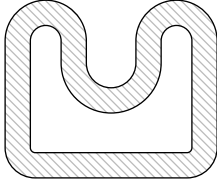
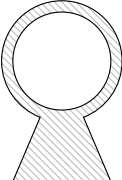
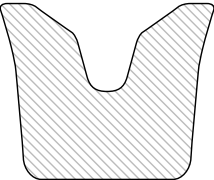
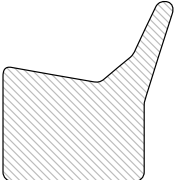
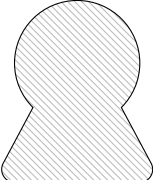
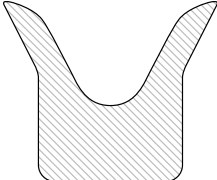
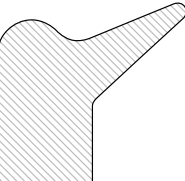

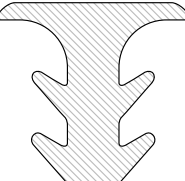
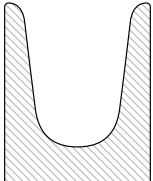
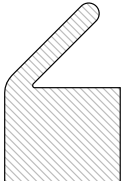

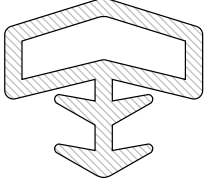
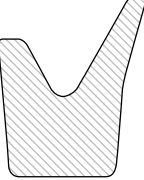
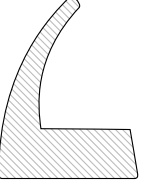

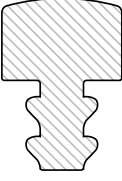
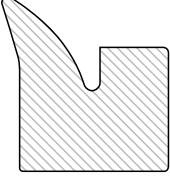
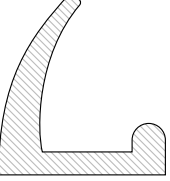
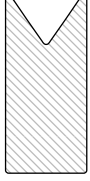
Skaffevarer - Silikoneprofiler / Special order - Silicone profiles

Group 0102 	Group 0104 	Group 0129 	Group 0127 	Group 0171
Group 0517 	Group 0145 	Group 0130 	Group 0191 	Group 0516
Group 0102A 	Group 0179 	Group 0131 	Group 0206 	Group 0144
Group 0103 	Group 0105 	Group 0132 	Group 0134 	Group 0194
Group 0103A 	Group 0172 	Group 0133 	Group 0211 	Group 0147
Group 0146 	Group 0188 	Group 0181 	Group 0167 	Group 0128
Group 0199 	Group 0158 	Group 0170 	Group 0140 	Group 0137
Group 0155 	Group 0141 	Group 0207 	Group 0508 	Group 0148

Skaffevarer - Silikoneprofiler / Special order - Silicone profiles

Group 0122 	Group 0176 	Group 0177 	Group 0143 	Group 0164
Group 0123 	Group 0197 	Group 0165 	Group 0117 	Group 0166
Group 0157 	Group 0173 	Group 0182 	Group 0187 	Group 0138
Group 0151 	Group 0189 	Group 0190 	Group 0115 	Group 0196
Group 0200 	Group 0152 	Group 0215 	Group 0210 	Group 0205
Group 0180 	Group 0168 	Group 0198 	Group 0213 	Group 0163
Group 0156 	Group 0142 	Group 0154 	Group 0512 	Group 0193
Group 0183 	Group 0202 	Group 0116 	Group 0510 	Group 0193

Skaffevarer - Silikoneprofiler / Special order - Silicone profiles

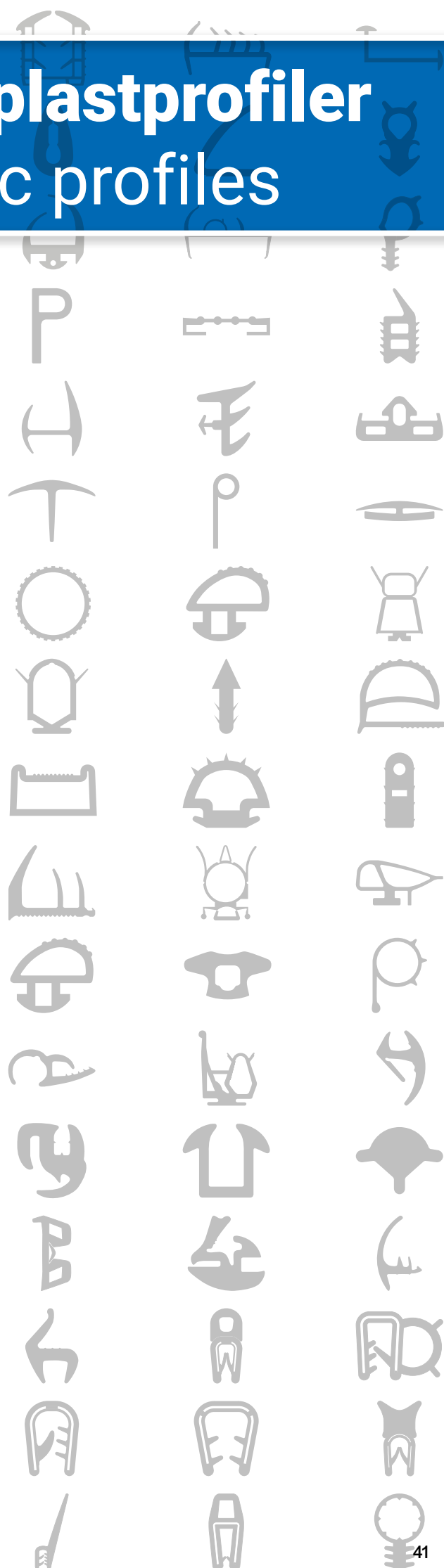
<p>Group 0514</p> 	<p>Group 0195</p> 	<p>Group 0501</p> 	<p>Group 0174</p> 	<p>Group 0507</p> 
<p>Group 0203</p> 	<p>Group 0502</p> 	<p>Group 0184</p> 	<p>Group 0212</p> 	<p>Group 0503</p> 
<p>Group 0184</p> 	<p>Group 0118</p> 	<p>Group 0185</p> 	<p>Group 0504</p> 	<p>Group 0513</p> 
<p>Group 0161</p> 	<p>Group 0204</p> 	<p>Group 0505</p> 	<p>Group 0136</p> 	<p>Group 0515</p> 
<p>Group 0511</p> 	<p>Group 0506</p> 	<p>Group 0135</p> 	<p>Group 0509</p> 	

Co-ekstruderede plastprofiler

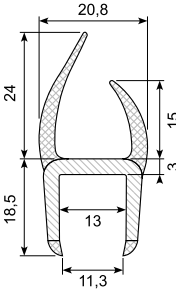
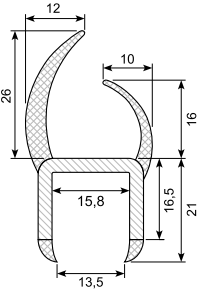
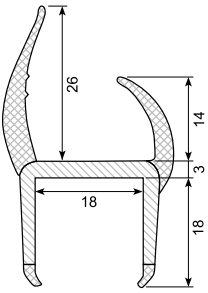
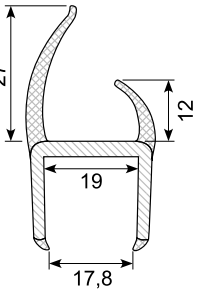
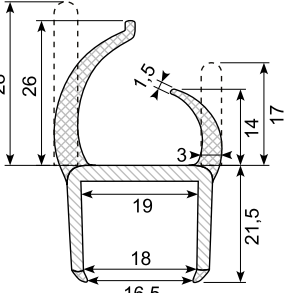
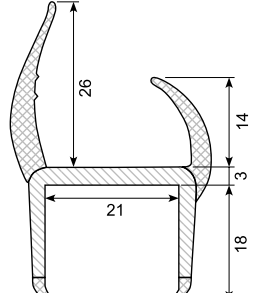
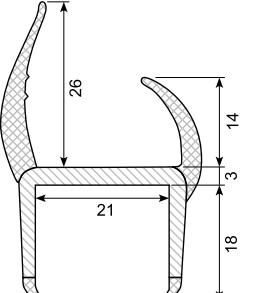
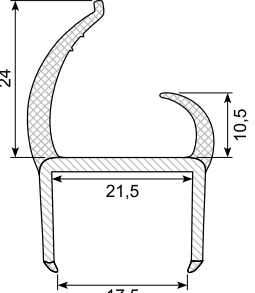
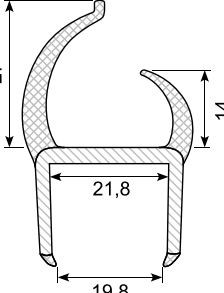
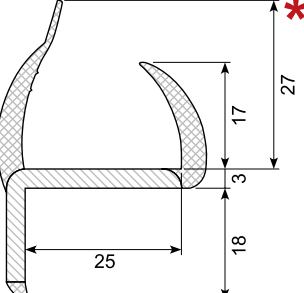
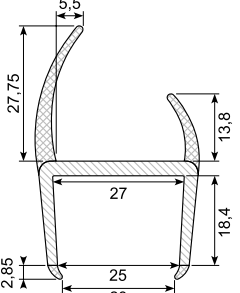
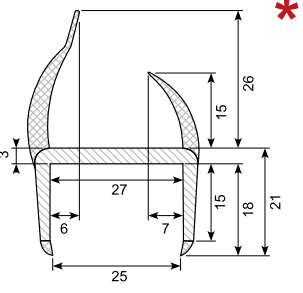
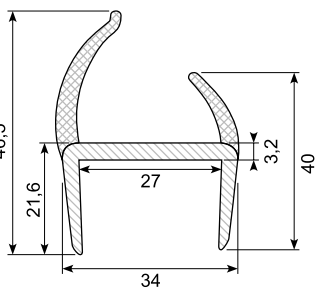
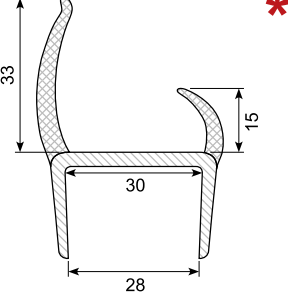
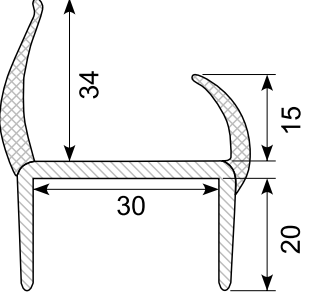
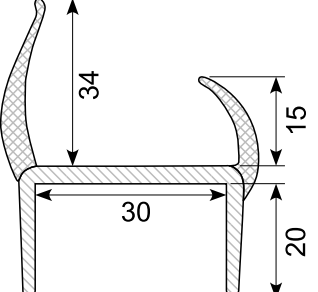
Co-extruded plastic profiles

Co-ekstruderede plastprofiler anvendes som dørtætningslister. Profilerne består af to dele. Den ene del er hård og monteres på sandwich-delen, og den anden del (læberne) er blød. Dermed får man en optimal tætning.

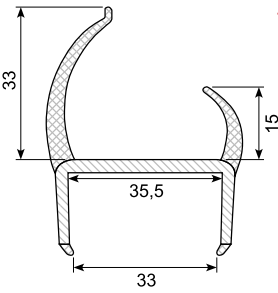
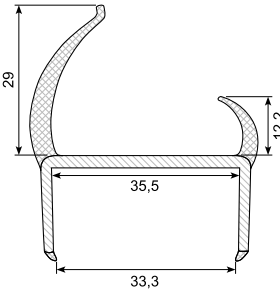
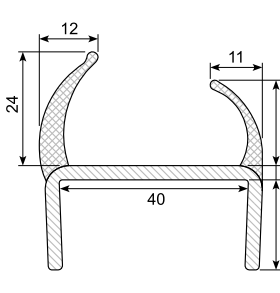
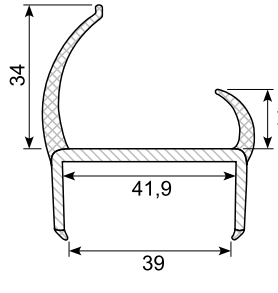
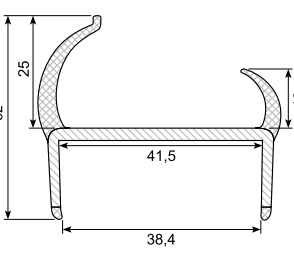
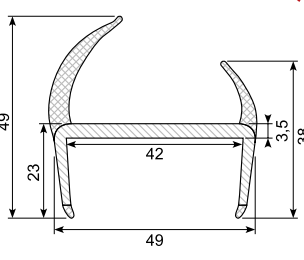
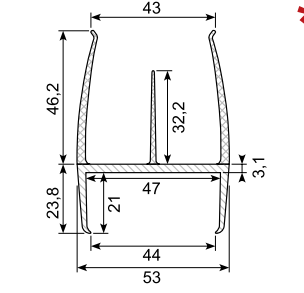
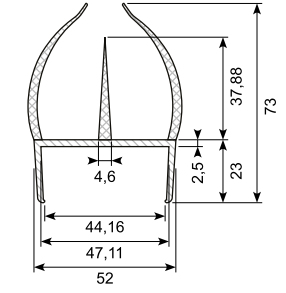
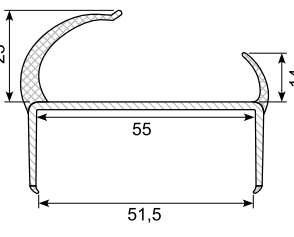
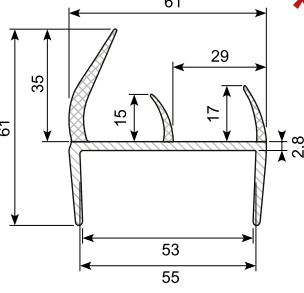
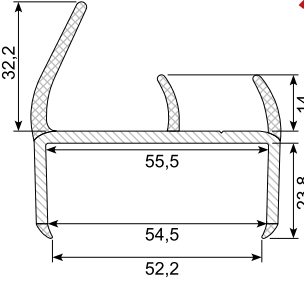
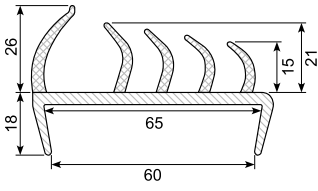
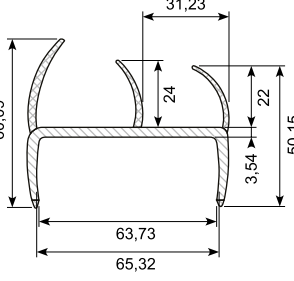
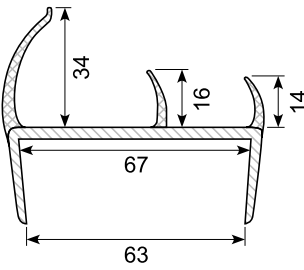
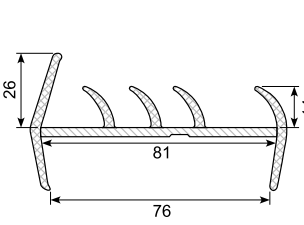
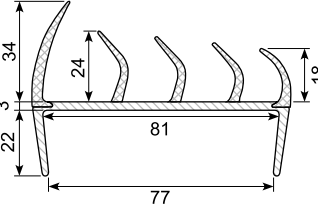
Co-extruded plastic profiles are used as door sealing trims. The profiles consist of two parts. One part is hard and is mounted on the sandwich-part and the other part (the lips) are soft. This gives an optimal seal.

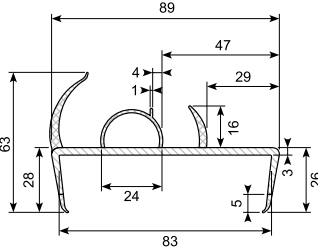
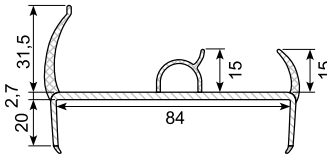
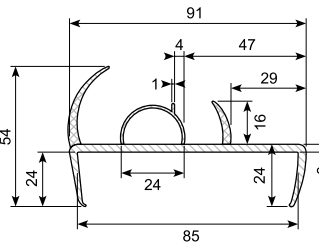
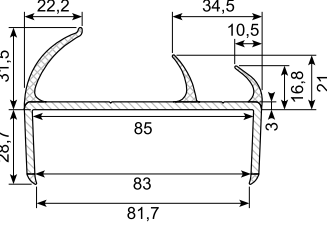

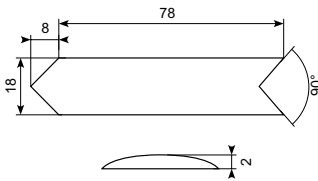

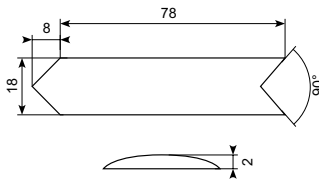


Co-ekstruderede plastprofiler / Co-extruded plastic profiles

<p>50.083013</p>  <p>Material: PVC co-ex profile, 13 mm Black / White</p> <p>Length: 5 m With 4 soft lips Min. order: 200 pcs</p>	<p>50.083015GG * / 50.083015GGX</p>  <p>Material: PVC co-ex profile, 15 mm Light grey / Grey lips</p> <p>Length: 5 m With 4 soft lips 50.083015GGX: 4 m light/light</p>	<p>50.083030</p>  <p>Material: PVC co-ex profile, 18 mm Black / White</p> <p>Length: 5 m With 4 soft lips</p>	<p>50.083032GG</p>  <p>Material: PVC co-ex profile, 18,4 mm Grey / Grey (other colors possible)</p> <p>Length: 6 m With 4 soft lips</p>
<p>50.083033</p>  <p>Material: PVC co-ex profile, 19 mm Black lips / Light grey</p> <p>Length: 5 m With 4 soft lips</p>	<p>50.083040GS</p>  <p>Material: PVC co-ex profile, 21 mm Black / Grey</p> <p>Length: 6 m With 4 soft lips</p>	<p>50.083040</p>  <p>Material: PVC co-ex profile, 21 mm Black / White</p> <p>Length: 5 m With 4 soft lips Min. order: 200 pcs.</p>	<p>50.083040G</p>  <p>Material: PVC co-ex profile, 21 mm Grey / Grey</p> <p>Length: 5 m With 4 soft lips</p>
<p>50.083040GG</p>  <p>Material: PVC co-ex profile, 20,8 mm Grey / Grey (other colors possible)</p> <p>Length: 6 m With 4 soft lips</p>	<p>50.083045X</p>  <p>Material: PVC co-ex profile, 25 mm (other colors possible)</p> <p>Length: 5 m With 3 soft lips Min. order: 250 m (China)</p>	<p>54.710720</p>  <p>Material: PVC co-ex profile, 25 mm Hardness: Hard/soft</p> <p>Length: 3 m With 4 soft lips Min. order: 25 pcs.</p>	<p>50.083045G</p>  <p>Material: PVC co-ex profile, 25 mm (other colors possible)</p> <p>Length: 6 m With 4 soft lips Min. order: 500 m</p>
<p>50.083046</p>  <p>Material: Co-ex profile, 27 mm Light grey / Light grey</p> <p>Length: 5 m With 2 soft lips</p>	<p>50.083050GG</p>  <p>Material: PVC co-ex profile, 30 mm Grey / Grey (other colors possible)</p> <p>Length: 5 m With 2 soft lips Min. order: 500 m</p>	<p>50.083050</p>  <p>Material: PVC co-ex profile, 30 mm Black / White</p> <p>Length: 5 m With 2 soft lips</p>	<p>50.083050G</p>  <p>Material: PVC co-ex profile, 30 mm Black / Light grey</p> <p>Length: 5 m With 2 soft lips</p>

Co-ekstruderede plastprofiler / Co-extruded plastic profiles

<p>50.083052G *</p>  <p>Material: PVC co-ex profile, 35 mm Grey / Grey (other colors possible) Length: 3 m With 4 soft lips Min. order: 300 m</p>	<p>50.083055G</p>  <p>Material: PVC co-ex profile, 35 mm Light grey / Grey lips Length: 5 m With 4 soft lips</p>	<p>50.083059 *</p>  <p>Material: PVC co-ex profile, 40 mm White / Black lips Length: 5 m With 2 soft lips Min. order: 250 m</p>	<p>50.083060 *</p>  <p>Material: PVC co-ex profile, 40 mm White / Black lips (other colors possible) Length: 5 m With 4 soft lips Min. order: 500 m</p>
<p>50.083060G</p>  <p>Material: PVC co-ex profile, 40 mm Light grey / Grey lips Length: 5 m With 2 soft lips</p>	<p>50.083061 *</p>  <p>Material: PVC co-ex profile, 42 mm White / Black lips Length: 5 m With 4 soft lips Min. order: 250 m (China)</p>	<p>50.083065 *</p>  <p>Material: PVC co-ex profile, 45 mm Grey / Grey (other colors possible) Length: 5 m With 3 soft lips Min. order: 250 m</p>	<p>50.083065G</p>  <p>Material: Co-ex profile Length: 5 m</p>
<p>50.083070G</p>  <p>Material: PVC co-ex profile, 55 mm Light grey / Grey lips Length: 5 m With 4 soft lips</p>	<p>50.083070B *</p>  <p>Material: PVC co-ex profile, 55 mm White / Black lips Length: 5 m With 4 soft lips Min. order: 500 m</p>	<p>54.710770 *</p>  <p>Material: PVC co-ex profile, 30 mm Grey Length: 5 m With 4 soft lips Min. order: 50 m</p>	<p>50.083081 *</p>  <p>Material: PVC co-ex profile, 65 mm Black With 5 soft lips Min. order: 250 m</p>
<p>50.083080GG</p>  <p>Material: PVC co-ex profile, 65 mm Light grey / Light grey Length: 5 m With 3 soft lips</p>	<p>50.083080G</p>  <p>Material: PVC co-ex profile, 65 mm Grey / Grey Length: 5 m With 2 soft lips</p>	<p>50.083088 *</p>  <p>Material: PVC co-ex profile, 81 mm Black / Black With 5 soft lips Min. order: 250 m</p>	<p>50.083089 *</p>  <p>Material: PVC co-ex profile, 81 mm Black / Black With 5 soft lips Min. order: 250 m</p>

50.083090	50.083095B *	50.083095 / 50.083095G *	54.710780 *
 <p>Material: PVC co-ex profile, 83 mm Light grey / Light grey Length: 5 m With 4 soft lips</p>	 <p>Material: PVC co-ex profile, 84 mm White / Black lips Length: 5 m Min. order: 500 m With 4 soft lips</p>	 <p>Material: PVC co-ex profile, 85 mm White / black lips Length: 5 m With 4 soft lips 50.083095G: Min order: 250 m</p>	 <p>Material: PVC co-ex profile, 85 mm Black / grey Hardness: Hard / soft Length: 3 m With 4 soft lips Min. order: 50 pcs.</p>
50.083000GG		50.083000SS	
  <p>Grå hjørnebånd / Grey connection part. Soft PVC. In running meters.</p>		  <p>Sort hjørnebånd / Black connection part. Soft PVC. In running meters.</p>	

Over 100 års erfaring

BIBUS SINDBY har nu eksisteret i over 100 år, hvor gummilister, kantlister og profiler har været en stor kernekompetence.

Vi har stor ekspertise indenfor profiler og vi er altid klar til at hjælpe dig med alle slags spørgsmål.

Du kan også besøge vores webshop Kantlister.dk, hvor du kan købe mange af varerne, du finder i dette katalog.



U-profiler

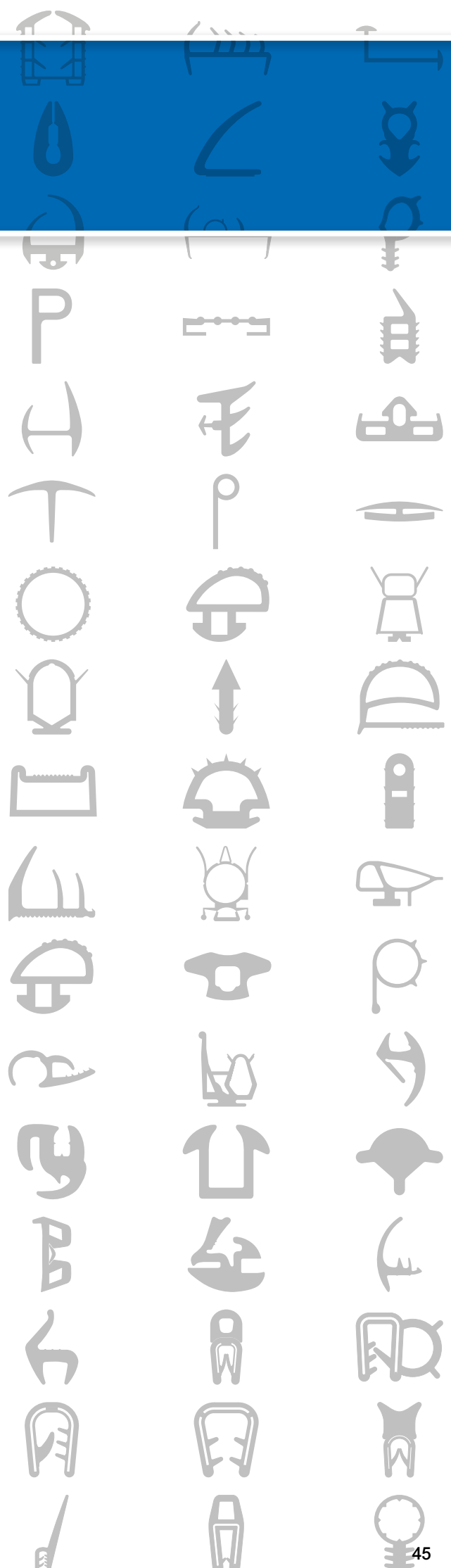
U-profiles

En U-profil er den rene gummiliste uden indlæg. Den fremstilles i flere forskellige størrelser, varianter og materialer som bl.a. EPDM, NR, CR, NBR, SBR og silikonegummi.

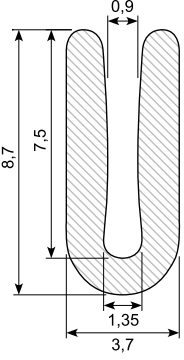
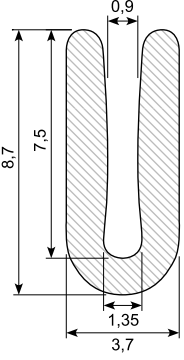
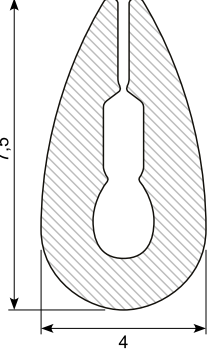
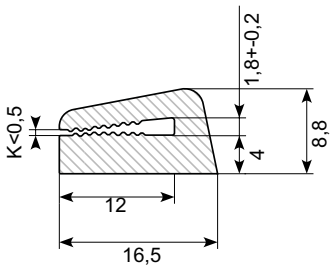
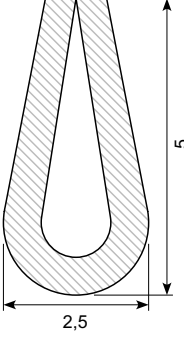
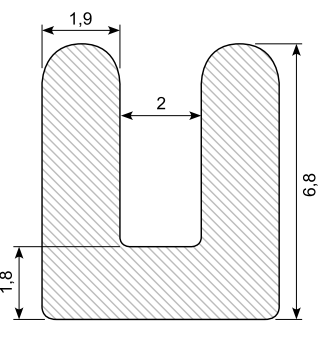
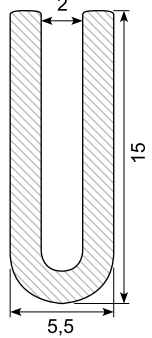
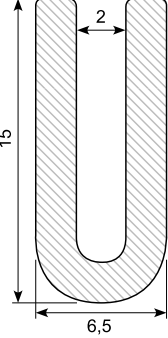
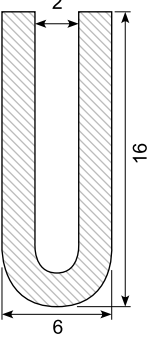
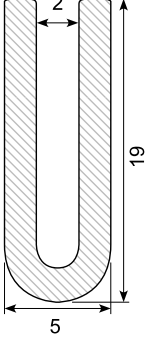
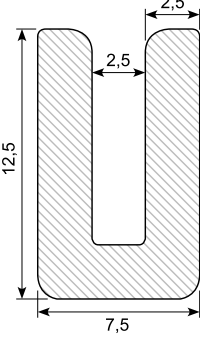
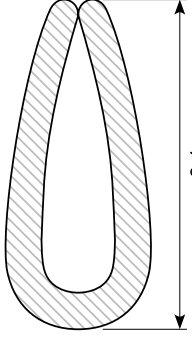
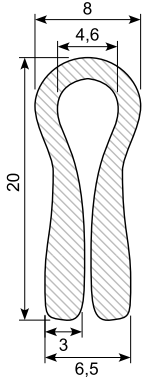
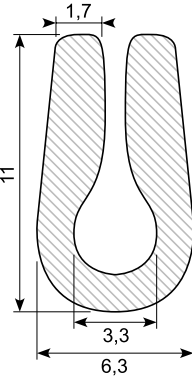
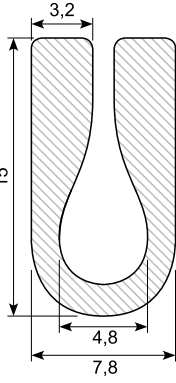
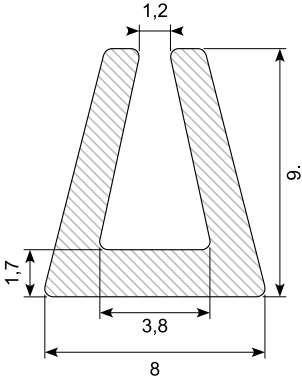
U-profiler er fortrinlige til at beskytte paneler, døre, kanter og glas og kan bruges i bl.a. maskiner, biler, møbler osv.

A U-profile is a pure rubber trim without inserts. It is produced in different sizes, variants and materials such as EPDM, NR, CR, NBR, SBR and silicone rubber.

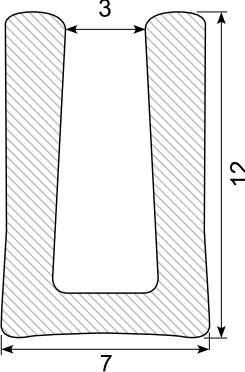
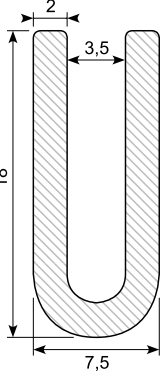
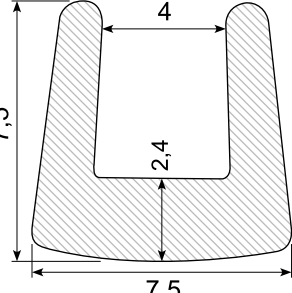
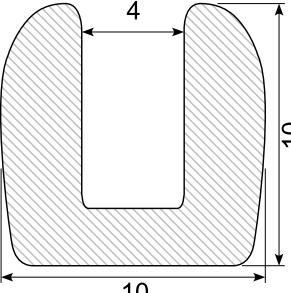
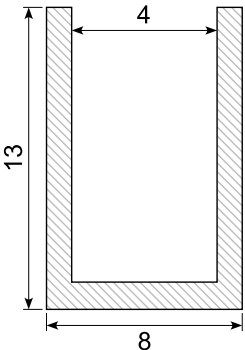
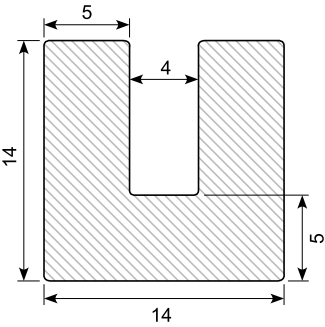
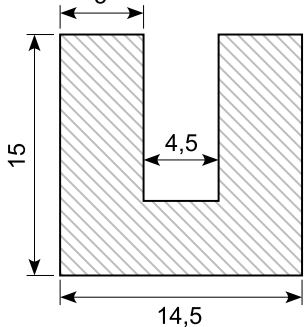
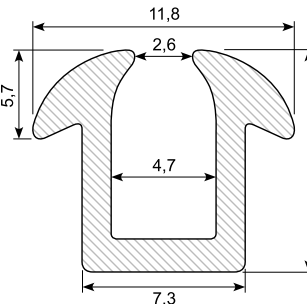
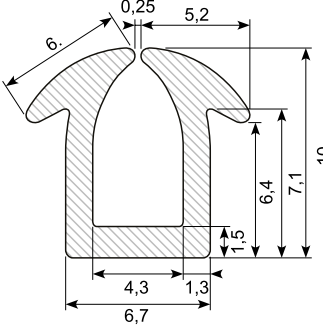
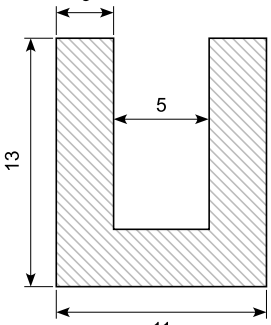
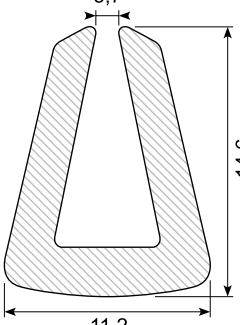
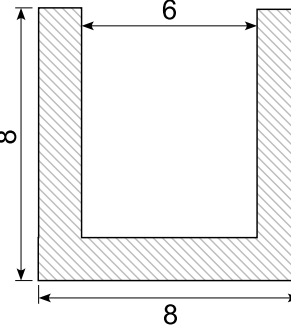
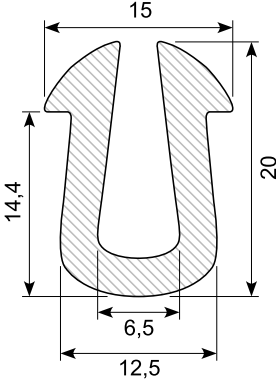
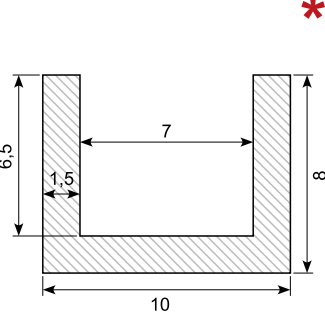
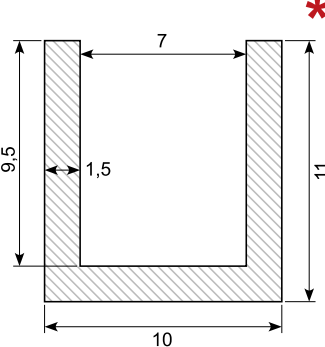
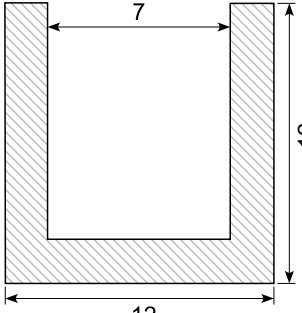
U-profiles are excellent for protecting panels, doors, edges and glass and can be used for machines, cars, furniture, etc.



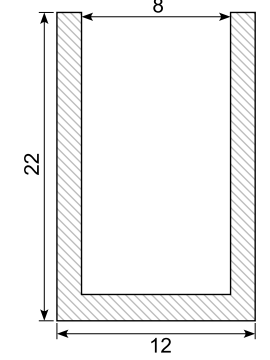
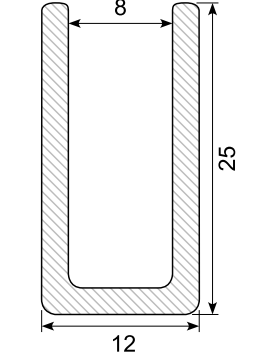
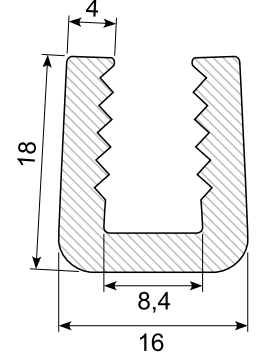
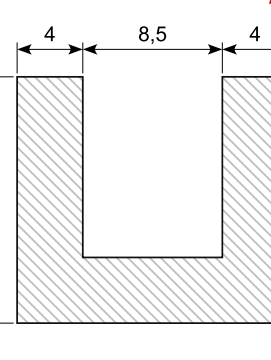
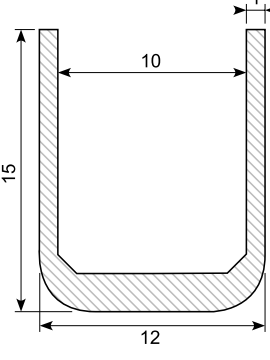
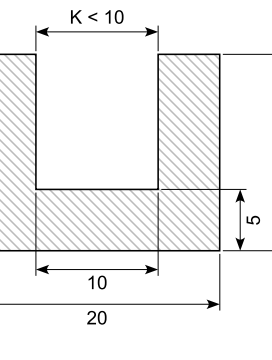
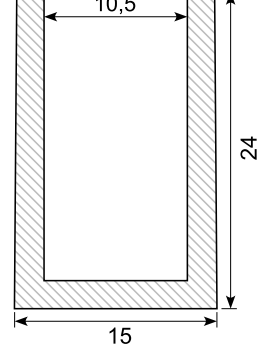
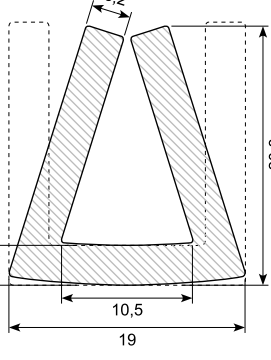
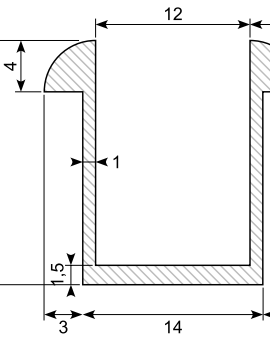
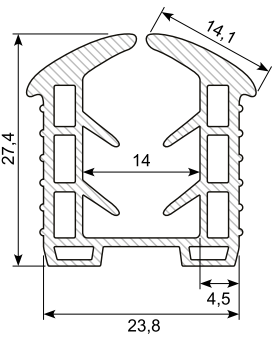
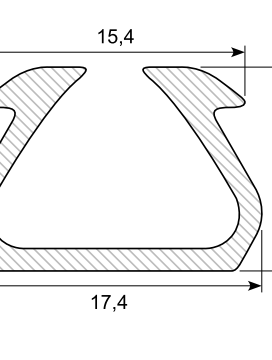
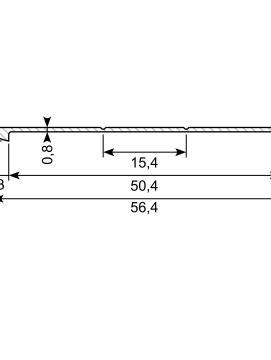
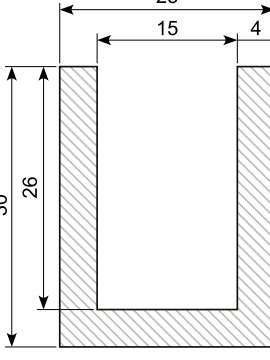
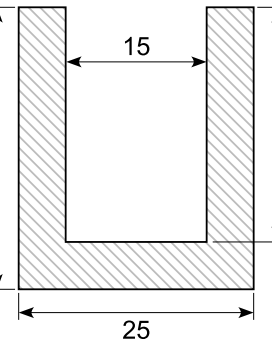
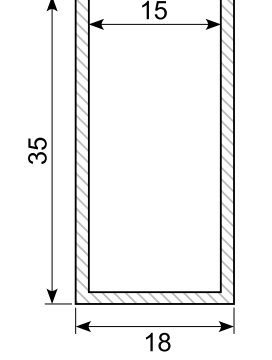
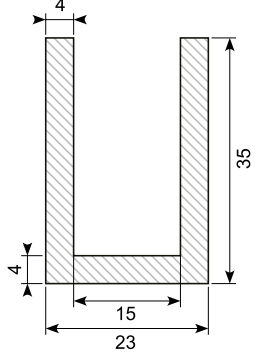
U-profiler / U-profiles

<p>31.018S *</p>  <p>Material: EPDM, black Hardness: SH 65 Min. order: 4.100 m</p>	<p>31.018X</p>  <p>Material: PVC, black Hardness: SH 65</p>	<p>34.018X</p>  <p>Material: PVC, light grey Hardness: Soft Plade: 1 mm</p>	<p>30.11393</p>  <p>Material: Silicone, grey Hardness: SH 50A</p>
<p>34.14334X</p>  <p>Material: Hard PVC, black Plade: 1,5 - 2 mm</p>	<p>31.060S</p>  <p>Material: EPDM, black Hardness: SH 65</p>	<p>31.041S</p>  <p>Material: EPDM, black Hardness: SH 65</p>	<p>31.042S</p>  <p>Material: EPDM, black Hardness: SH 65</p>
<p>30.OT3394 *</p>  <p>Material: Silicone, black Min. order: 100 m</p>	<p>31.047 *</p>  <p>Material: EPDM, black Hardness: SH 65 Min. order: 1.000 m</p>	<p>31.063</p>  <p>Material: EPDM, black Hardness: SH 65</p>	<p>30.9548</p>  <p>Material: PVC hard, light grey Length: 3,9 m</p>
<p>31.025S</p>  <p>Material: EPDM, black Hardness: SH 65</p>	<p>31.021S</p>  <p>Material: EPDM, black Hardness: SH 65</p>	<p>31.022S</p>  <p>Material: EPDM, black Hardness: SH 65</p>	<p>34.031X</p>  <p>Material: PVC, transparent Hardness: Soft</p>

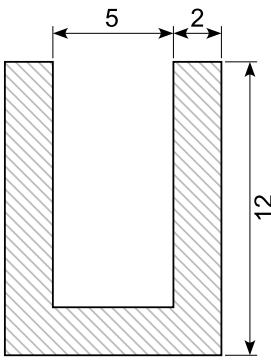
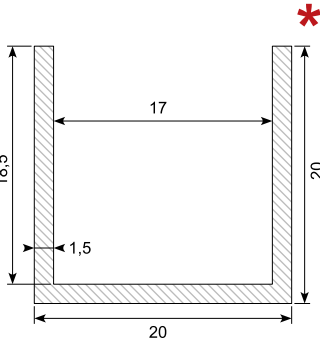
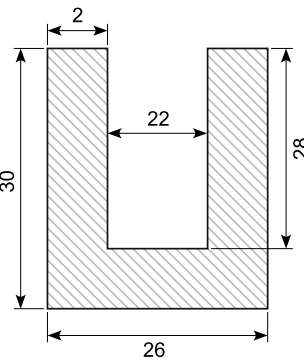
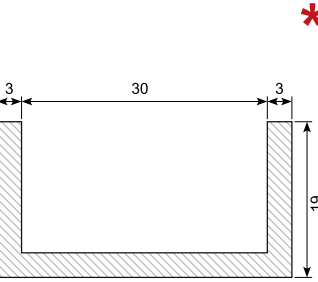
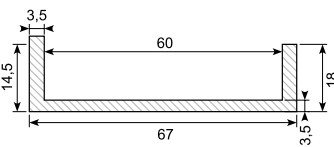
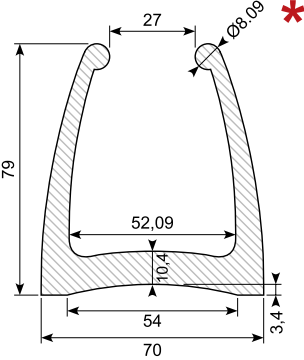
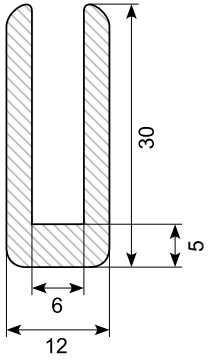
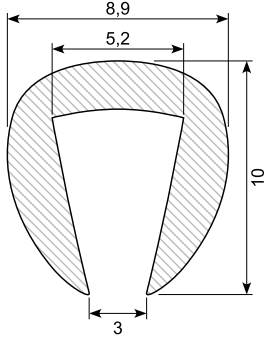
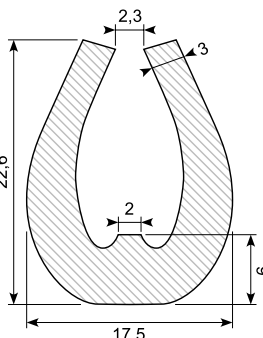
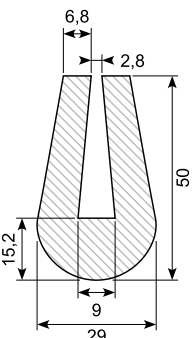
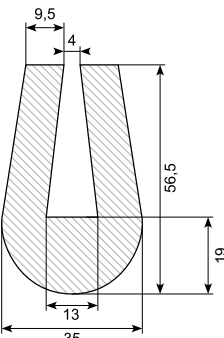
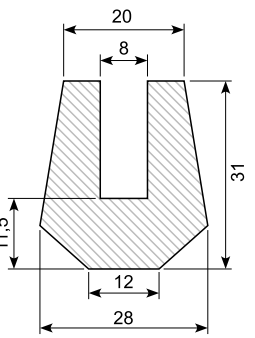
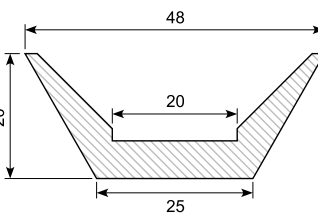
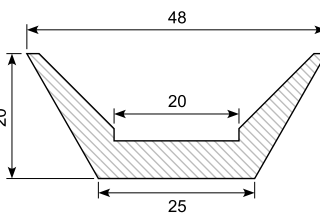
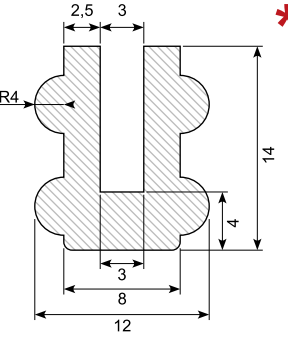
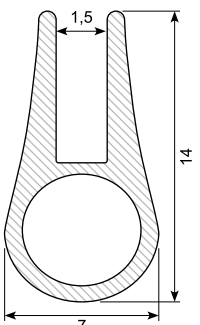
U-profiler / U-profiles

<p>30.13086</p>  <p>Material: EPDM, black Hardness: SH 80</p>	<p>31.043S</p>  <p>Material: EPDM, black Hardness: SH 65</p>	<p>31.064</p>  <p>Material: EPDM, black Hardness: Hard</p>	<p>31.065S</p>  <p>Material: EPDM, black Hardness: SH 65</p>
<p>31.061S</p>  <p>Material: EPDM, black Hardness: SH 65</p>	<p>30.6622N</p>  <p>Material: NBR, black Hardness: SH 65 Oil resistant</p>	<p>30.6622 *</p>  <p>Material: EPDM, black Hardness: SH 65 Min. order: 500 m</p>	<p>31.216ST</p>  <p>Material: EPDM, black Hardness: SH 65</p>
<p>31.216GS</p>  <p>Material: Silicone, light grey Ral 7040 Hardness: SH 70</p>	<p>30.11459 *</p>  <p>Material: Silicone, transparent Hardness: SH 45 Min. order: 250 m</p>	<p>34.035</p>  <p>Material: PVC, transparent Hardness: Hard</p>	<p>31.066</p>  <p>Material: Silicone, black Hardness: SH 70</p>
<p>30.6724</p>  <p>Material: EPDM, black Hardness: SH 65</p>	<p>30.14507-1 *</p>  <p>Material: EPDM, black Min. order: 3.000 m</p>	<p>30.14507-2 *</p>  <p>Material: EPDM, black Min. order: 3.000 m</p>	<p>31.068S</p>  <p>Material: EPDM, black Hardness: SH 65</p>

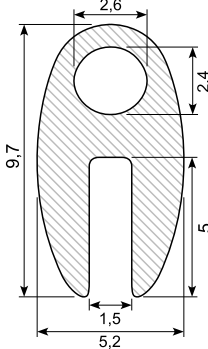
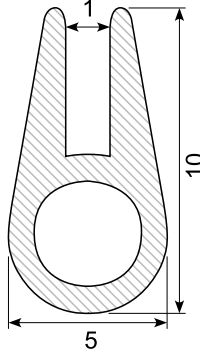
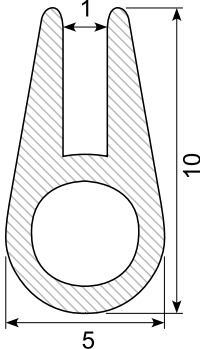
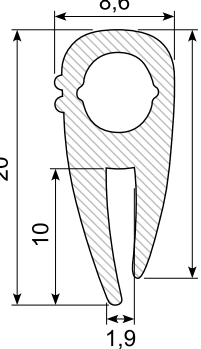
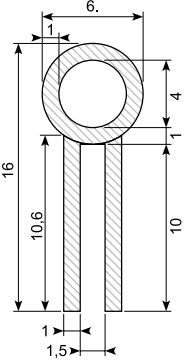
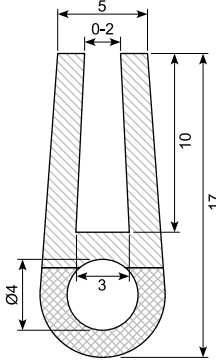
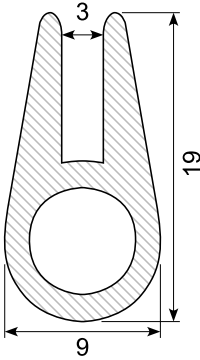
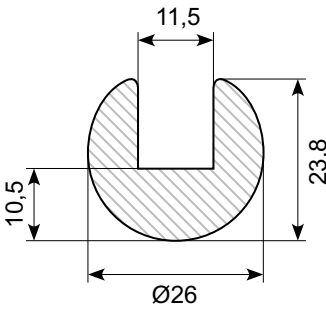
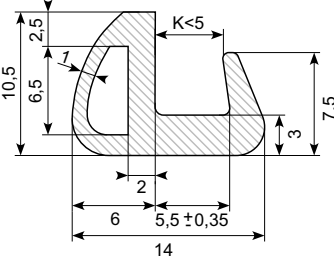
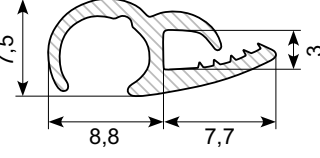
U-profiler / U-profiles

<p>30.1386</p>  <p>Material: EPDM, black Hardness: SH 65</p>	<p>30.OT3440 *</p>  <p>Material: Silicone, black Hardness: SH 60 Min. order: 100 m</p>	<p>30.12896</p>  <p>Material: EPDM, black Hardness: SH 65</p>	<p>31.074S *</p>  <p>Material: EPDM, black Min. order: 1.000 m</p>
<p>30.7987</p>  <p>Material: EPDM, black Hardness: SH 65</p>	<p>30.OT0136 *</p>  <p>Material: Silicone, white Min. order: 100 m</p>	<p>31.070S</p>  <p>Material: EPDM, black Hardness: SH 50</p>	<p>31.071S</p>  <p>Material: EPDM, black Hardness: SH 65</p>
<p>30.2455</p>  <p>Material: PVC, black Length: 3.111 mm</p>	<p>30.11774 *</p>  <p>Material: EPDM Hardness: SH 65 10-13 mm glass</p>	<p>30.7508 *</p>  <p>Material: EPDM, black Hardness: SH 65 Min. order: 400 m</p>	<p>30.9519 *</p>  <p>Material: PVC soft, black Min. order: 7.000 m</p>
<p>30.12932-1 *</p>  <p>Material: EPDM, black Hardness: SH 60A Min. order: 500 m</p>	<p>30.13535 *</p>  <p>Material: EPDM, black Hardness: SH 60 Min. order: 420 m</p>	<p>30.7509</p>  <p>Material: EPDM, black Hardness: SH 65</p>	<p>30.10777-1 *</p>  <p>Material: TPE, black Hardness: SH 60 Min. order: 100 m</p>

U-profiler / U-profiles

<p>30.21101205</p>  <p>Material: EPDM Hardness: SH 70</p>	<p>30.14507-3</p>  <p>Material: EPDM Min. order: 2.000 m</p>	<p>31.050</p>  <p>Material: EPDM, black Hardness: SH 65</p>	<p>30.14356</p>  <p>Material: TPE, black Hardness: SH 60 Min. order: 50 - 100 m</p>
<p>31.048</p>  <p>Material: EPDM, black Hardness: SH 65 Min. order: 250 m</p>	<p>30.11911</p>  <p>Material: EPDM Hardness: SH 65 Min. order: 120 m</p>	<p>30.2984-5</p>  <p>U-profile Material: EPDM Hardness: SH 70</p>	<p>34.117/6</p>  <p>Material: Plastic, metal grey</p>
<p>30.2984-6</p>  <p>U-profile Material: EPDM Hardness: SH 80 Roll of 50 m</p>	<p>30.2984-1</p>  <p>U-profile Material: EPDM Hardness: SH 70 Roll of 25 m</p>	<p>30.2984-2</p>  <p>U-profile Material: EPDM Hardness: SH 65 Roll of 25 m</p>	<p>30.2984-3</p>  <p>U-profile Material: EPDM Hardness: SH 70 Roll of 25 m</p>
<p>30.7519NBR</p>  <p>Material: NBR, grey Hardness: SH 65 Length: 3 m Oil resistant Min. order: 500 m</p>	<p>30.7519</p>  <p>Material: EPDM, black Hardness: SH 65 Length: 50 m coils Min. order: 50 - 250 m</p>	<p>30.14227</p>  <p>Material: Silicone, transparent Min. order: 100 m</p>	<p>31.037SI</p>  <p>Material: Silicone, black</p>

U-profiler / U-profiles

<p>31.035S</p>  <p>Material: EPDM, black Hardness: SH 65</p>	<p>31.036SI *</p>  <p>Material: Silicone, black Min. order: 200 m</p>	<p>31.036SI-LTC</p>  <p>Material: Silicone, black UL94 approved</p>	<p>30.9884X *</p>  <p>Material: EPDM Min. order: 3.000 m</p>
<p>31.037 *</p>  <p>Material: EPDM Hardness: SH 56 - 60A Min. order: 2.000 m</p>	<p>30.9885</p>  <p>Material: EPDM Hardness: SH 60</p>	<p>31.038SI</p>  <p>Material: Silicone, black Hardness: SH 60</p>	<p>30.211.04.385</p>  <p>Material: EPDM Hardness: SH 70A</p>
<p>30.11580</p>  <p>Material: Silicone, black. With balloon Hardness: SH 55A Weight: 81 g pr. m</p>	<p>31.040</p>  <p>U-rubber profile Hardness: SH 65A</p>		

P-profiler

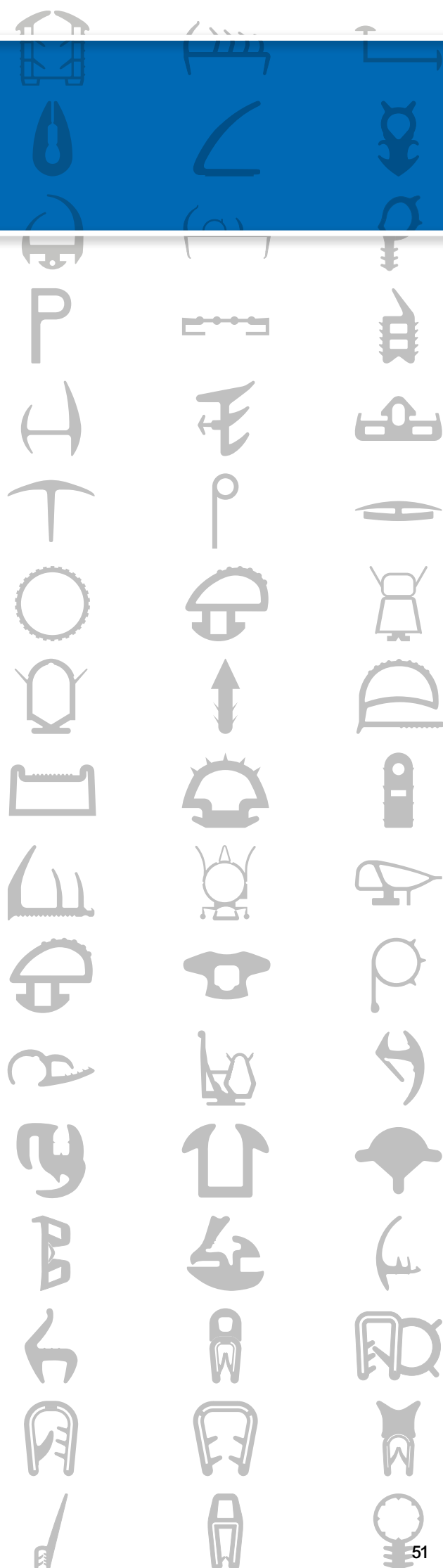
P-profiles

P-profiler anvendes generelt til tætning af sprækker og andet ved f.eks. døre, vinduer og maskiner.

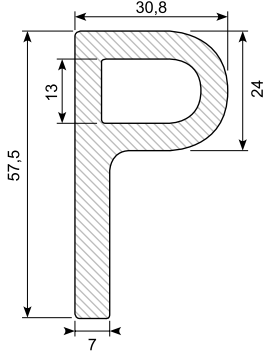
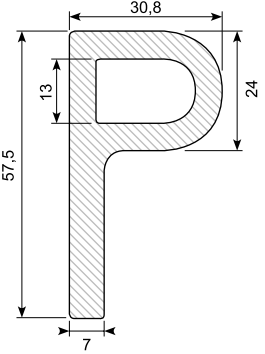
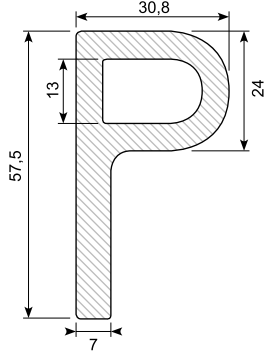
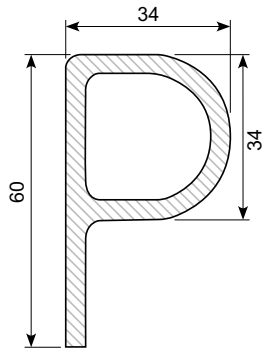
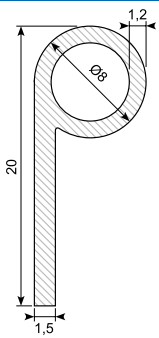
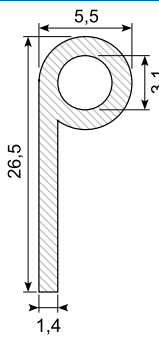
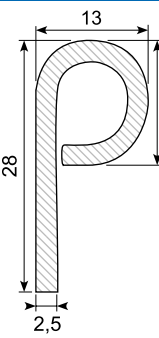
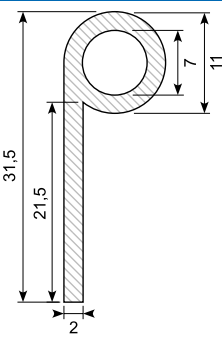
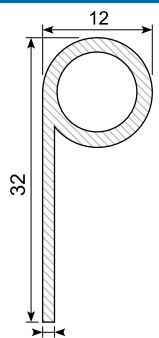
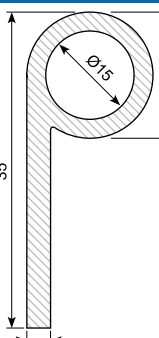
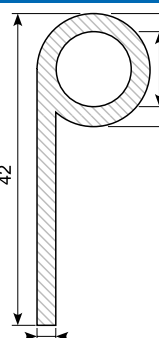
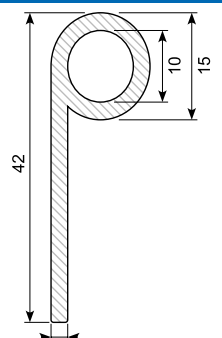
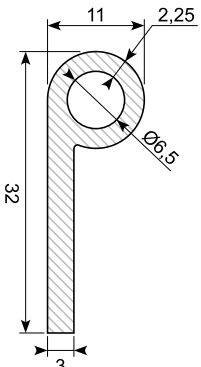
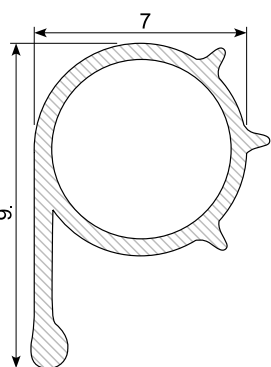
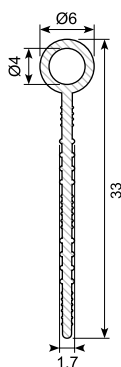
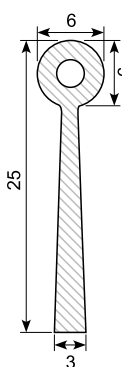
Alt efter hvilken hårdhed man vælger, kan man befæste profilet på flere måder. Valget af materiale afhænger af omgivelserne.

P-profiles are generally used for sealing cracks on e.g. doors, windows or machines.

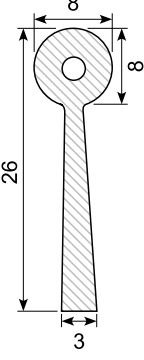
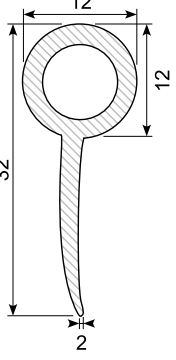
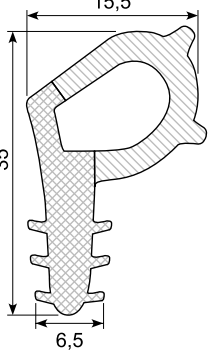
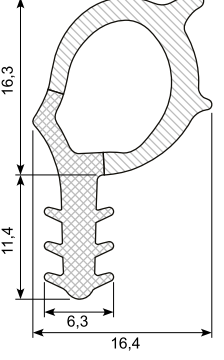
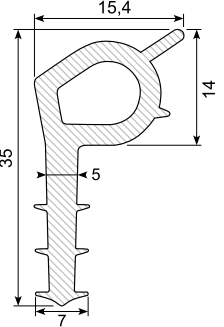
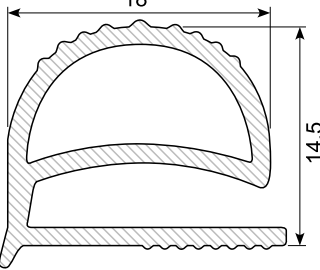
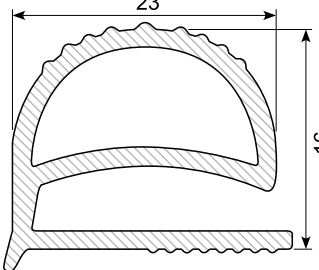
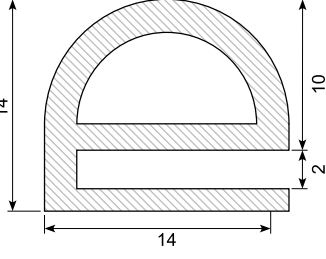
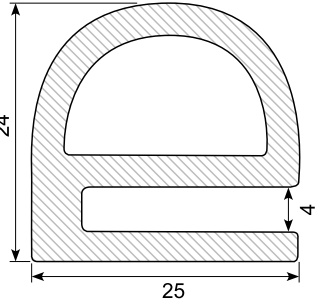
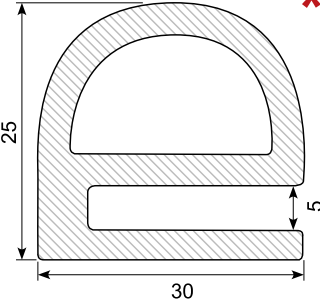
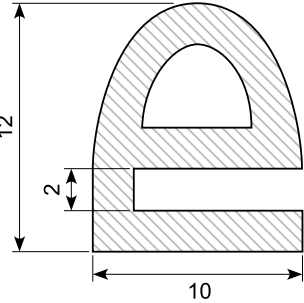
Depending on the selected hardness you can attach the profile in different ways. The choice of material depends on the environment.



P-profiler / P-profiles

<p>30.136</p>  <p>Material: EPDM, black Hardness: SH 65</p>	<p>30.136NBR</p>  <p>Material: NBR, black Hardness: SH 65 Oil resistant</p>	<p>30.136/45</p>  <p>Material: EPDM, black Hardness: SH 45 soft</p>	<p>30.OT1057 *</p>  <p>Material: Silicone, white Max. 270 °C Min. order: 50 m</p>
<p>30.182</p>  <p>Material: Silicone, grey Hardness: SH 60A RAL 7040 FDA conform</p>	<p>30.22381</p>  <p>Material: CR, black Hardness: SH 70 Conditional oil resistant</p>	<p>30.148S *</p>  <p>Material: EPDM, black Hardness: SH 65 Min. order: 450 m</p>	<p>30.7408X</p>  <p>Material: EPDM, black</p>
<p>30.OT2036</p>  <p>Material: Silicone, black Max. 270 °C</p>	<p>30.140</p>  <p>Material: SEBS, black Hardness: SH 60A</p>	<p>30.138S</p>  <p>Material: EPDM, black Hardness: SH 65</p>	<p>30.138NBR *</p>  <p>Material: NBR Oil resistant Min. order: 100 m</p>
<p>30.13708</p>  <p>Material: Silicone, white Hardness: SH 45</p>	<p>30.OT101 *</p>  <p>Material: Silicone, brown Min. order: 100 m</p>	<p>52.269X</p>  <p>Material: PVC, black Hardness: Medium</p>	<p>30.174S *</p>  <p>Material: EPDM, black Hardness: SH 65 Min. order: 500 m</p>

P-profiler / P-profiles

<p>30.176 *</p>  <p>Material: EPDM, black Hardness: SH 65 Min. order: 1.000 m</p>	<p>30.180</p>  <p>Material: EPDM, black Hardness: SH 65</p>	<p>30.8538 *</p>  <p>Material: EPDM co-ex Hardness: SH 65 / density 0,70 Min. order: 2.000 m</p>	<p>30.8538B *</p>  <p>Material: EPDM co-ex Hardness: SH 65 / density 0,5 Min. order: 2.000 m</p>
<p>30.OT3271 *</p>  <p>Material: Silicone, light grey Min. order: 1.000 m</p>	<p>30.6487 *</p>  <p>Material: PVC, grey Length: 3 m Min. order: 1.000 m</p>	<p>30.SM251 *</p>  <p>Material: TPE / EPDM, grey Hardness: SH 65 Length: 25 m Min. order: 200 m</p>	<p>30.OT1081</p>  <p>Material: Silicone, white</p>
<p>30.OT3334</p>  <p>Material: Silicone, white</p>	<p>31.OT2179 *</p>  <p>Material: Silicone, white Min. order: 100 m</p>	<p>30.OT1080</p>  <p>Edge trim: Silicone, white Hardness: SH 60</p>	

Rudeprofiler

Glazing sections

Rudeprofiler (også kaldet rudelister) sikrer, at glasset sidder fast i rammen og beskytter det mod stød og bevægelser.

Rudelister bruges til bl.a. vinduer i biler, både, busser, maskiner, campingvogne og bygninger.

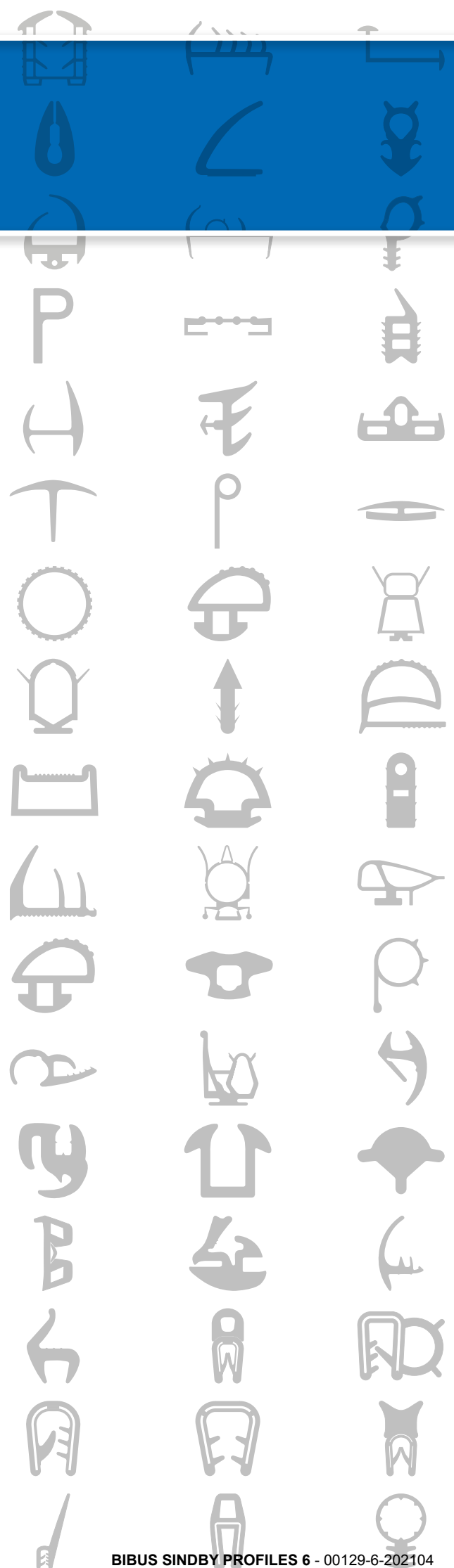
Husk, at nogle rudeprofiler skal bruge en låsekile, som du kan finde i næste kapitel "Låsekiler".

Hvis du har brug for en rudeprofil med lidt anderledes mål, hjælper vi dig gerne med at finde en løsning.

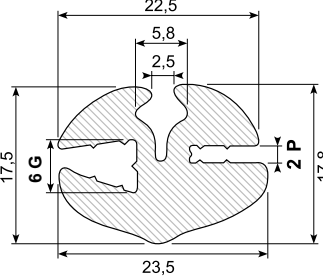
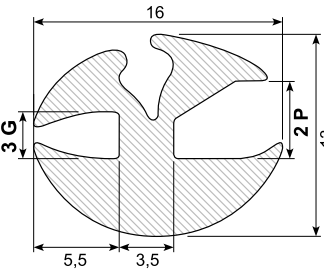
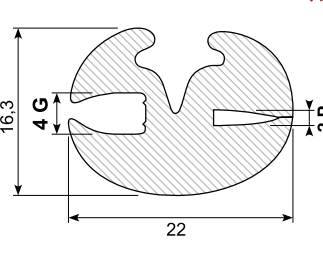
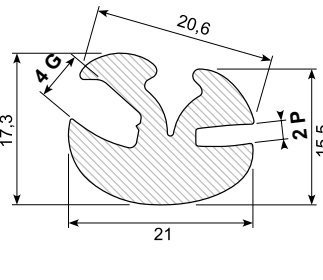
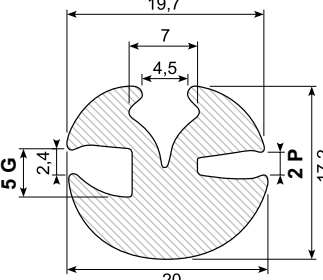
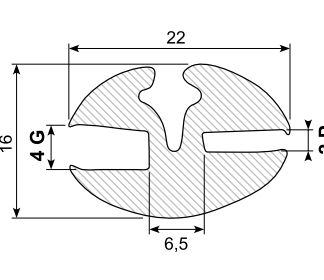
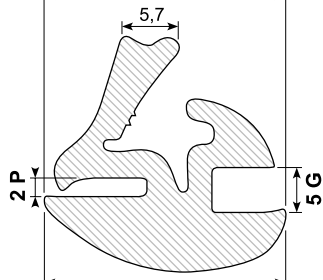
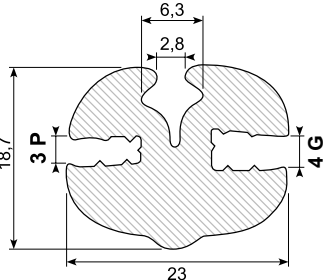
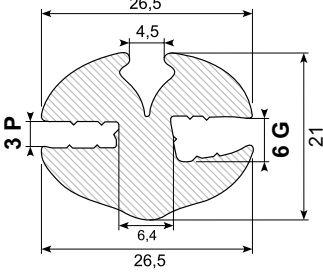
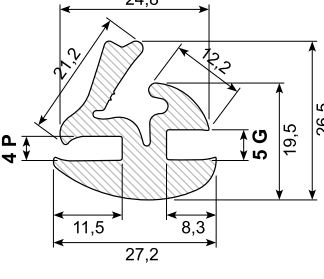
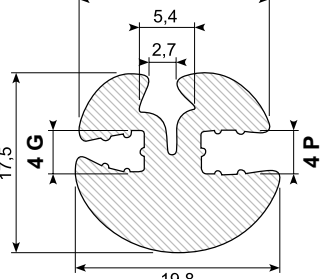
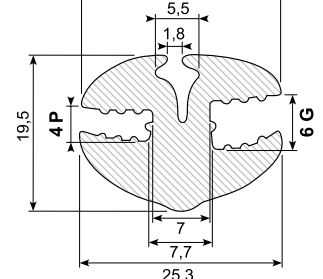
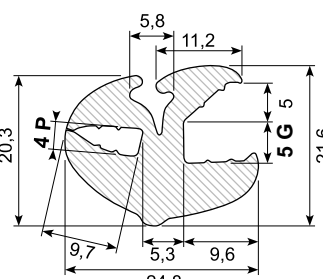
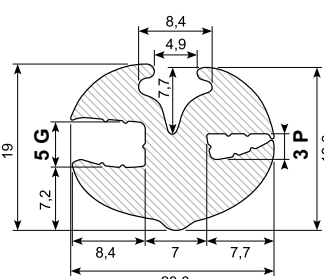
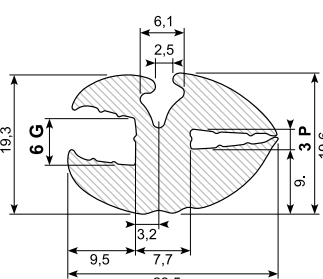
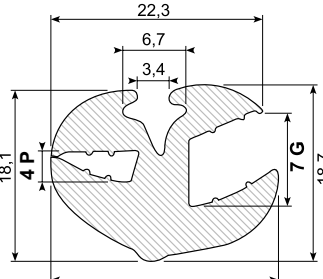
Glazing sections ensure that the glass is fixed in the frame and protect it from shocks and movement. Glazing sections are used for windows in cars, boats, buses, machinery, caravans and buildings.

Remember that for several glazing sections you need to use a filler strip, which you can find in the next chapter "Filler strips".

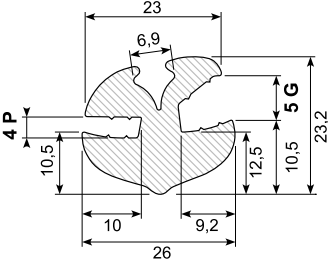
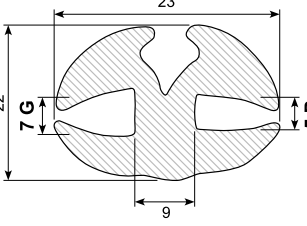
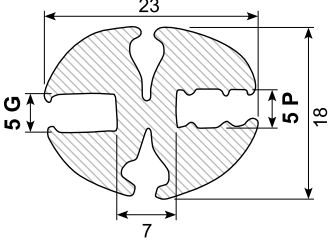
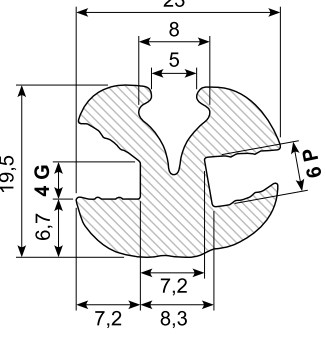
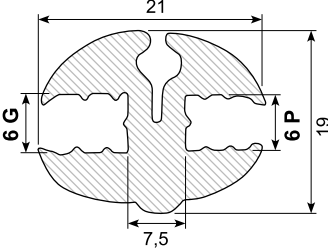
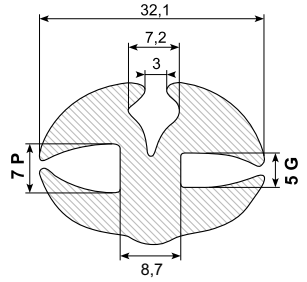
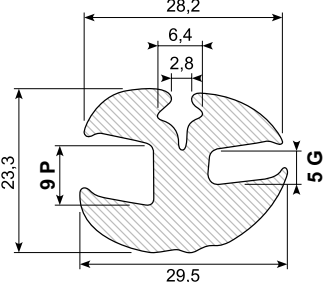
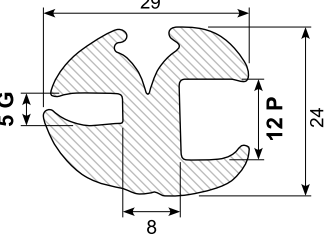
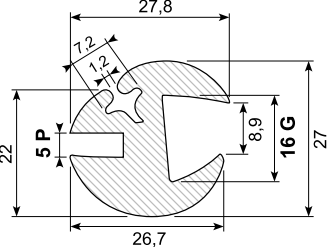
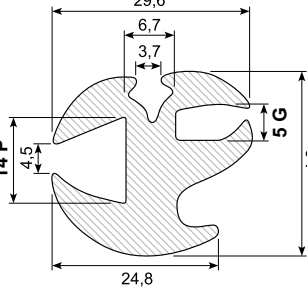
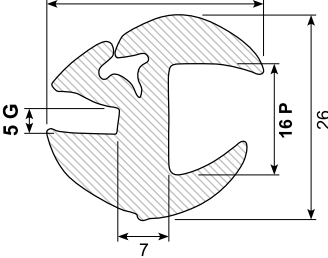
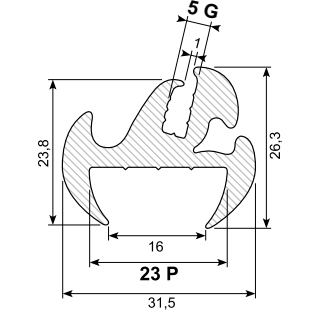
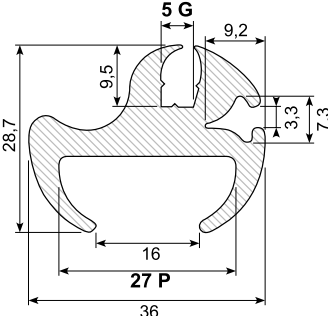
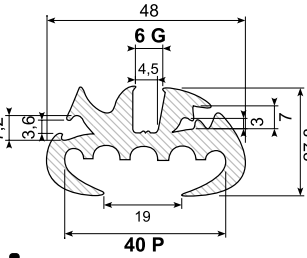
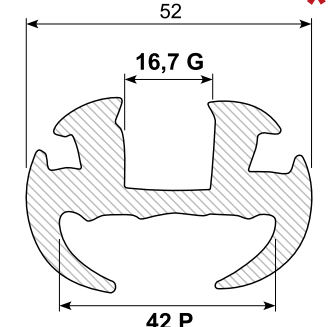
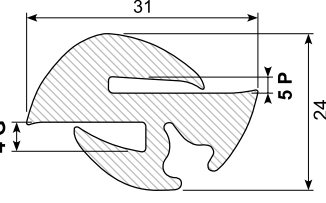
If you need a glazing section with a slightly different size, we will be happy to assist you to find a solution.



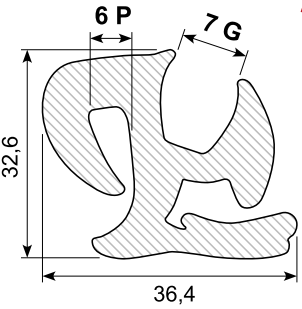
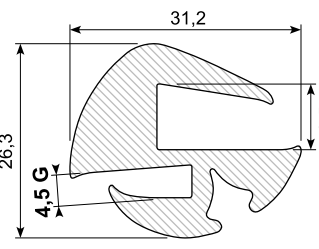
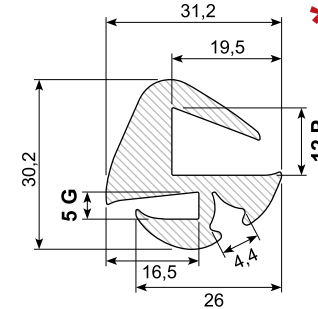
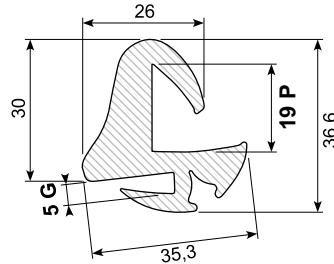
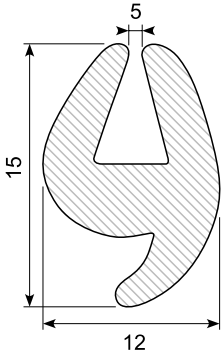
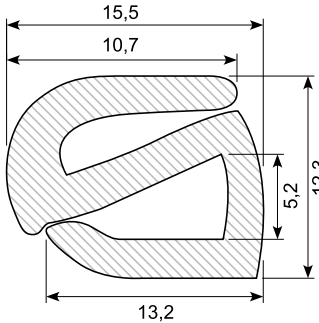
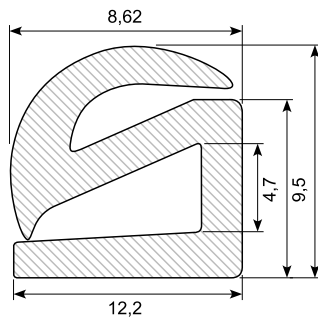
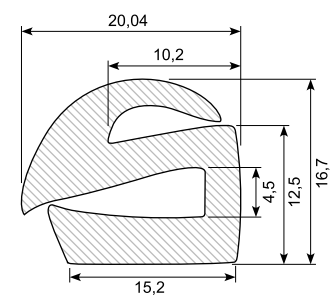
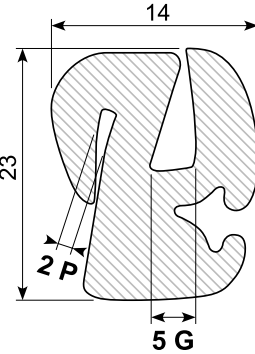
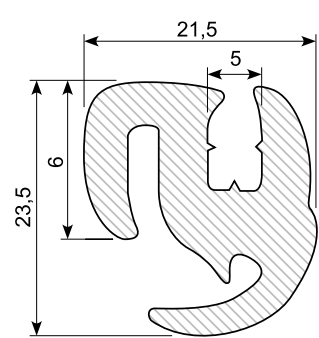
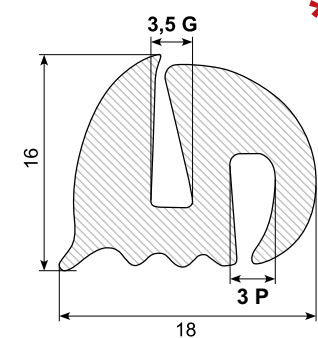
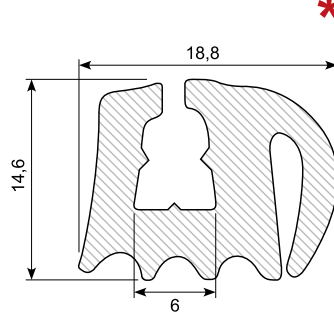
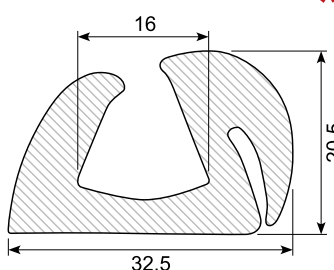
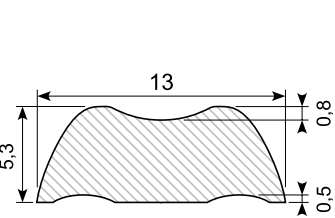
Rudeprofiler / Glazing sections

<p>32.016S</p>  <p>Material: EPDM, black Hardness: SH 65 Min. radius: 90 mm</p>	<p>32.924</p>  <p>Material: EPDM, black Hardness: SH 60 Min. radius: 30 mm Husk special låsekile 32.924K</p>	<p>32.2024CR *</p>  <p>Material: CR, black Hardness: SH 65 Min. radius: 80 mm Oil resistant Min. order: 200 m</p>	<p>32.1024S</p>  <p>Material: EPDM, black Hardness: SH 65 Min. radius: 80 mm</p>
<p>32.1025S</p>  <p>Material: EPDM, black Hardness: SH 65 Min. radius: 80 mm</p>	<p>32.2024M</p>  <p>Material: EPDM, black Hardness: SH 65 Min. radius: 80 mm</p>	<p>32.1025SK</p>  <p>Material: EPDM, black Hardness: SH 65 Min. radius: 80 mm Incl. wedge</p>	<p>32.034S</p>  <p>Material: EPDM, black Hardness: SH 65 Min. radius: 90 mm</p>
<p>32.036S</p>  <p>Material: EPDM, black Hardness: SH 65 Min. radius: 75 mm</p>	<p>32.1045SK *</p>  <p>Material: EPDM, black Hardness: SH 65 Min. radius: 80 mm Incl. wedge Min. order: 100 m</p>	<p>32.044S</p>  <p>Material: EPDM, black Hardness: SH 65 Min. radius: 75 mm</p>	<p>32.046S</p>  <p>Material: EPDM, black Hardness: SH 65 Min. radius: 90 mm</p>
<p>32.2045M</p>  <p>Material: EPDM, black Hardness: SH 65 Min. radius: 90 mm</p>	<p>30.8439</p>  <p>Material: EPDM Hardness: SH 65</p>	<p>32.036X</p>  <p>Material: EPDM Hardness: SH 65</p>	<p>32.047</p>  <p>Material: EPDM, black Hardness: SH 65 Min. radius: 90 mm</p>

Rudeprofiler / Glazing sections

<p>32.1045S</p>  <p>Material: EPDM, black Hardness: SH 65 Min. radius: 90 mm</p>	<p>32.057 *</p>  <p>Material: EPDM, black Hardness: SH 65 Min. radius: 100 mm Min. order: 300 m</p>	<p>32.255S</p>  <p>Material: EPDM, black Hardness: SH 65 Min. radius: 100 mm</p>	<p>32.064S</p>  <p>Material: EPDM, black Hardness: SH 70</p>
<p>32.066</p>  <p>Material: EPDM, black Hardness: SH 65 Min. radius: 80 mm</p>	<p>32.075</p>  <p>Material: EPDM, black Hardness: SH 65 Min. radius: 100 mm</p>	<p>32.095S</p>  <p>Material: EPDM, black Hardness: SH 65 Min. radius: 115 mm</p>	<p>32.512</p>  <p>Material: EPDM, black Hardness: SH 65 Min. radius: 115 mm</p>
<p>32.165</p>  <p>Material: EPDM, black Hardness: SH 65 Min. radius: 120 mm</p>	<p>32.514S *</p>  <p>Material: EPDM, black Hardness: SH 65 Min. radius: 110 mm Min. order: 300 m</p>	<p>32.516S</p>  <p>Material: EPDM, black Hardness: SH 65 Min. radius: 120 mm</p>	<p>32.523S</p>  <p>Material: EPDM, black Hardness: SH 65 Min. radius: 110 mm</p>
<p>32.527</p>  <p>Material: EPDM, black Hardness: SH 65 Min. radius: 120 mm</p>	<p>32.1037S</p>  <p>Incl.: 2 x 32.309X Incl.: 1 x 32.1307S</p> <p>Material: EPDM, black Hardness: SH 65 Min. radius: 120 mm</p>	<p>32.1640 *</p>  <p>Material: EPDM, black Hardness: SH 65 Min. radius: 120 mm Min. order: 50 m</p>	<p>32.754S</p>  <p>Material: EPDM, black Hardness: SH 65 Min. radius: 100 mm Safety</p>

Rudeprofiler / Glazing sections

<p>32.866 *</p>  <p>Material: EPDM, black Hardness: SH 65 Min. radius: 120 mm Safety Min. order: 250 m</p>	<p>32.795S</p>  <p>Material: EPDM, black Hardness: SH 65 Min. radius: 100 mm Safety</p>	<p>32.7125 *</p>  <p>Material: EPDM, black Hardness: SH 65 Min. radius: 120 mm Safety Min. order: 250 m</p>	<p>32.7195S</p>  <p>Material: EPDM, black Hardness: SH 65 Min. radius: 120 mm Safety</p>
<p>31.365 *</p>  <p>Material: EPDM, black Hardness: SH 65 Min. order: 1.000 m</p>	<p>31.116S</p>  <p>Material: EPDM, black Hardness: SH 65</p>	<p>31.112S</p>  <p>Material: EPDM, black Hardness: SH 65</p>	<p>31.145S</p>  <p>Material: EPDM, black Hardness: SH 65</p>
<p>31.148</p>  <p>Material: EPDM, black Hardness: SH 65</p>	<p>31.155</p>  <p>Material: EPDM, black Hardness: SH 65</p>	<p>31.6701 *</p>  <p>Material: EPDM, black Hardness: SH 65</p>	<p>31.6703 *</p>  <p>Material: EPDM, black Hardness: SH 65</p>
<p>31.6702 *</p>  <p>Material: EPDM, black Hardness: SH 65 Min. order: 500 m</p>	<p>32.1307S</p>  <p>Material: EPDM, black Hardness: SH 65</p>		

Låsekiler

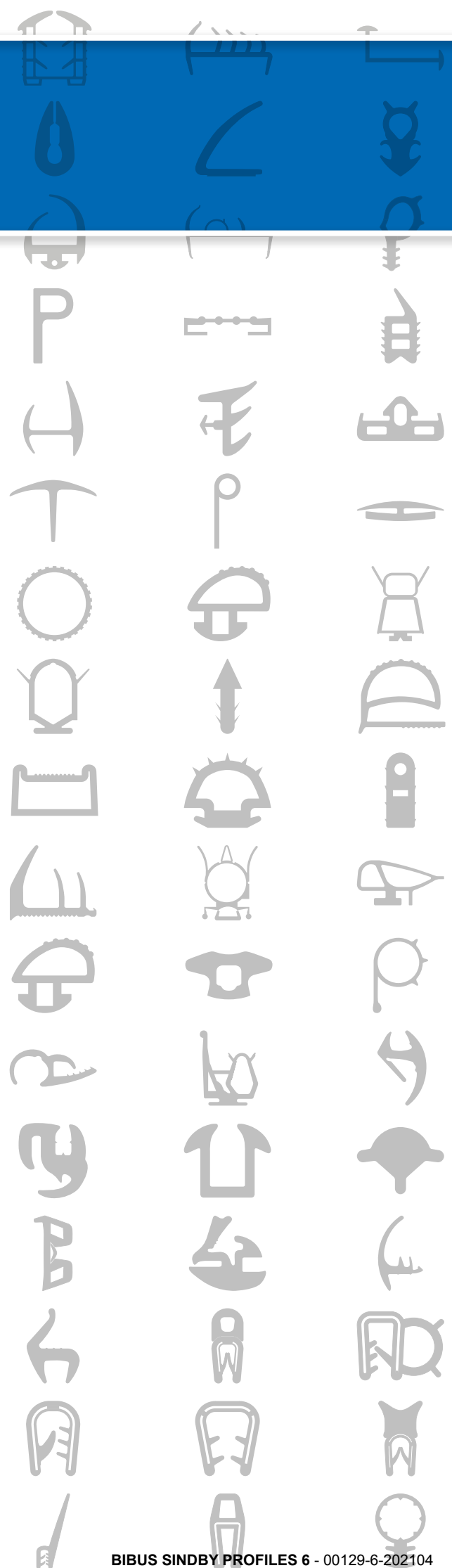
Filler strips

Låsekiler anvendes sammen med rudeprofiler som fiksering. Når en rudeprofil er sat på plads, låses det med en låsekile for at sikre et fast greb om ruden.

Kilerne fås i et utal af farver og kan give en maskine eller bil et helt nyt udtryk. Låsekilen har altså ikke bare en funktionel betydning men også en æstetisk.

Filler strips are used together with glazing sections as a fastening. Once a glazing section is in place, it is fastened in place with a filler strip to ensure a tight fit around the window.

The filler strips are available in countless colors and can give a whole new look to a machine or car. The filler strip does not have just a functional significance, but also an aesthetic.



Låsekiler / Filler strips

32.309X	32.301X	32.300X	32.1301
Material: PVC, black	Material: PVC, silver	Material: PVC, white	Material: PVC, chrome
32.409X	32.009S	32.010	32.924K
Material: PVC, black	Material: EPDM, black Hardness: SH 65	Material: EPDM, black Hardness: SH 65	Material: EPDM, black For 32.924

Husk også lim og værktøj

Har du brug for speciallim eller -værktøj til arbejdet med profiler?

I kapitlet "Tilbehør" finder du alt du skal bruge, uanset om du skal lime, skære, afkorte eller fæstne.

På vores webshop Kantlister.dk finder du endnu mere tilbehør, og hvis du stadig ikke kan finde præcis det du mangler, kan du altid kontakte os.



Svampegummi

Sponge rubber

Svampegummi er en opskummet og blødere gummitype med en mere åben struktur og større elasticitet. Det gør materialet optimalt til forsegling eller tætning.

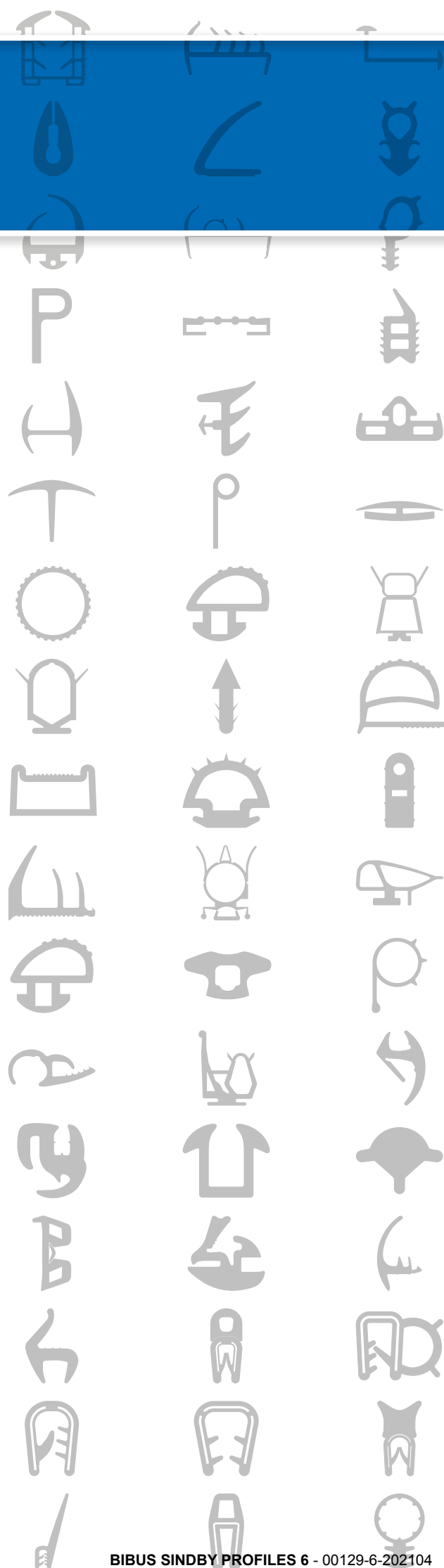
Skal du bruge forsegling, hvor der f.eks. er store krav til UV- eller temperaturrestandigheden? Eller måske til udfyldnings- og tætningsopgaver i industrien? De forseglende egenskaber er anvendelige i en lang række af industrier.

Tætningsegenskaberne ved denne gummitype kan f.eks. bruges omkring ventilations- og klimaanlæg eller ved stanseforme, lamper, karrosseridele, stål-skabe og døre. Svampegummi kan findes i forskellige gummityper med flere typer af klæb.

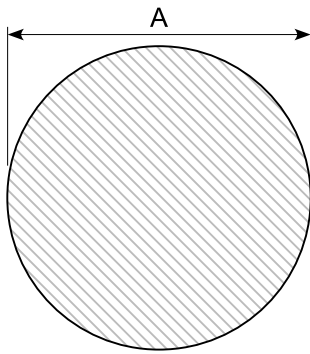
Sponge rubber is a foamed and softer type of rubber with a more open structure and greater elasticity, making the material optimal for sealing or caulking.

Do you need a sealer with high UV- or temperature resistance? Or perhaps for sealing and caulking applications in industry? The sealing properties of sponge rubber are useful in a variety of industries.

For example, the sealing properties of this type of rubber can be used around ventilation and air conditioning systems, as well as for cutting dies, lamps, body panels, steel cabinets and steel doors. Sponge rubber is available with different types of adhesive and rubber.



Svampegummi / Sponge rubber



Material: EPDM, **dark grey**
Hardness: SH 16 - 20 /
density 0,4 - 0,5

Art.	Ø (mm)
36.102E	2
36.1025E *	2,5
36.103E	3
36.1035E	3,5
36.1045E *	4,5
36.105E *	5
36.106E	6
36.106EG * (Light grey)	6
36.106ESP *	6
36.107E	7
36.108E *	8
36.108EG * (Light grey)	8
36.109E *	9
36.110E *	10
36.111E *	
36.112E *	12
36.112EG * (Light grey)	12
36.117E	17
36.120E	20
36.122E *	22
36.125E	25
36.130EX *	30
36.135E *	35

Material: EPDM, **black**
Hardness: SH 16 - 20 /
density 0,45 - 0,6

Art.	Ø (mm)	Min. order
36.7004.5X *	4,5	3.000
36.7005X *	5	3.000
36.7006X *	6	3.000
36.7007X *	7	3.000
36.7008X *	8	3.000
36.7008.5X *	8,5	3.000
36.7009X *	9	3.000
36.7010X *	10	3.000
36.7010.5X *	10,5	3.000
36.7011X *	11	3.000
36.7011.5X *	11,5	3.000
36.7012X *	12	3.000
36.7014X *	14	3.000
36.7018X *	18	
36.7028X *	28	
36.7064X *	64	

Material: EPDM, **black**
Hardness: SH 16 - 20 /
density 0,45 - 0,6

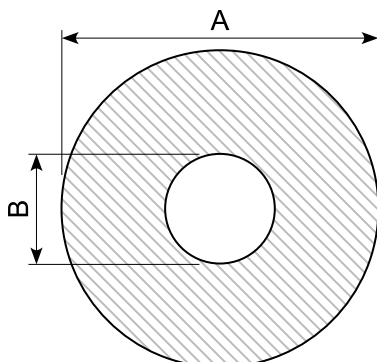
Art.	Ø (mm)
36.7003 *	3
36.7004	4
36.7005	5
36.7006 *	6
36.7008	8
36.7009	9
36.7010	10
36.7012	12
36.7015	15
36.7050 *	50

Material: CR, **dark grey**
Hardness: SH 16 - 22 /
density 0,4 - 0,6

Art.	Ø (mm)
36.103CR	3
36.104CR	4
36.105CR	5
36.106CR	6
36.107CR	7
36.108CR *	8
36.110CR	10
36.112CR	12
36.115CR (Black)	15
36.118CR * (Black)	18
36.119CR *	19
36.120CR *	20
36.122CR	22

Material: NR, **dark grey**
Hardness: SH 16 - 22 /
density 0,4 - 0,55

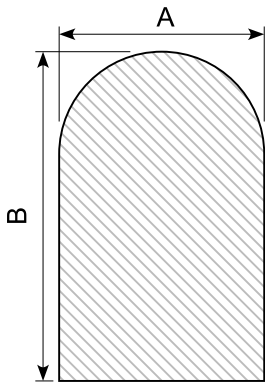
Art.	Ø (mm)
36.102 *	2
36.102.5 *	2,5
36.103 *	3
36.104 *	4
36.106 *	6
36.108	8
36.110 *	10
36.112	12
36.115 *	15
36.120 *	20
36.125 *	25
36.130 *	30



Material: EPDM, **black**

Art.	A x B (mm)	Min. order
36.3416068 *	16 x 6,8	
36.34155105 *	15,5 x 10,5	
36.344511 *	45 x 11	
36.341840 *	40 x 18	200 m
36.342026 *	26 x 20	1.000 m
36.342030 *	30 x 20	550 m
36.342226 *	26 x 22	1.000 m
36.342232 *	32 x 22	500 m
36.342433 *	33 x 24	500 m
36.342529 *	29 x 25	1.000 m
36.342840 *	40 x 28	250 m

Svampegummi / Sponge rubber



Material: EPDM

Art.	A x B (mm)	Color
36.198	6 x 8	Grey
36.198S	6 x 8	Black
36.199	6 x 10	Light grey
36.208	10 x 20	Light grey
36.3314	12 x 17	Dark grey

Material: CR

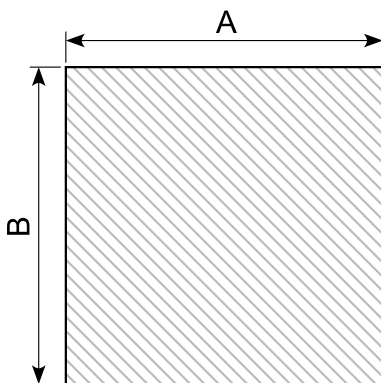
Hardness: SH 16 - 20 / density 0,4

Art.	A x B (mm)	Color
36.198CR *	6 x 8	Dark grey
36.200	8 x 8	Dark grey
36.202	10 x 12	Dark grey

Material: NR

Hardness: SH 16 - 20 / density 0,45 - 0,6

Art.	A x B (mm)	Color
36.197	4 x 6	Blue grey
36.198A *	6 x 8	Blue grey



Material: EPDM, dark grey

Hardness: SH 14 - 16 / density 0,38 - 0,42

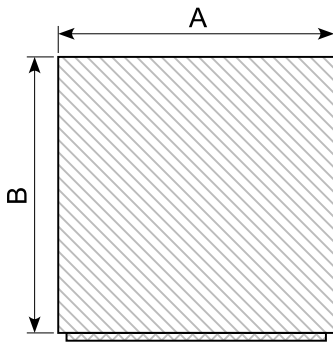
Flere størrelser kan skaffes. Find den komplette liste af svampegummiværktøjer på hjemmesiden ved at scanne QR-koden.

Other sizes can be ordered. Scan the QR-code to see the complete list on our homepage.



Art.	A x B (mm)	Art.	A x B (mm)	Art.	A x B (mm)	Art.	A x B (mm)
35.0806 *	8 x 6	35.1515	15 x 15	35.2510	25 x 10	35.3535	35 x 35
35.1003 *	10 x 3	35.1605	16 x 5	35.2515	25 x 15	35.4005 *	40 x 5
35.1004 *	10 x 4	35.1608 *	16 x 8	35.2520	25 x 20	35.4010	40 x 10
35.1005	10 x 5	35.2003	20 x 3	35.2525	25 x 25	35.4020	40 x 20
35.1007 *	10 x 7	35.2005	20 x 5	35.3005 *	30 x 5	35.4030 *	40 x 30
35.1008	10 x 8	35.20055 *	20 x 5,5	35.3007	30 x 7	35.4035 *	40 x 35
35.1010	10 x 10	35.2010	20 x 10	35.3010	30 x 10	35.4040	40 x 40
35.1203 *	12 x 3	35.2012	20 x 12	35.3012 *	30 x 12	35.4505 *	45 x 5
35.1209 *	12 x 9	35.2015	20 x 15	35.3015	30 x 15	35.5005 *	50 x 5
35.1212	12 x 12	35.2018 *	20 x 18	35.3020	30 x 20	35.5006 *	50 x 6
35.1503 *	15 x 3	35.2020	20 x 20	35.3025	30 x 25	35.5010 *	50 x 10
35.1507 *	15 x 7	35.2502	25 x 2	35.3030	30 x 30	35.5010E	50 x 10
35.1510	15 x 10	35.2505	25 x 5	35.3505 *	35 x 5	35.6010 *	60 x 10
35.1512 *	15 x 12	35.2506 *	25 x 6	35.3510 *	35 x 10	35.6040 *	60 x 40

Svampegummi / Sponge rubber



Material: EPDM, **dark grey**

Hardness: SH 14 - 16 / density 0,38 - 0,42

With adhesive



Flere størrelser kan skaffes. Find den komplette liste af svampegummiværktøjer på hjemmesiden ved at scanne QR-koden.

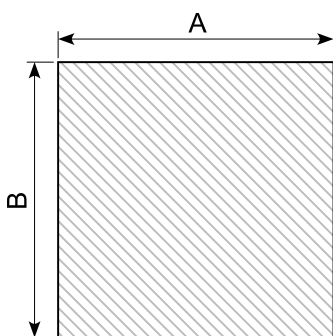
Other sizes can be ordered. Scan the QR-code to see the complete list on our homepage.

Art.	A x B (mm)
35.0806K *	8 x 6
35.0808K *	8 x 8
35.1003K	10 x 3
35.1004K *	10 x 4
35.1005K	10 x 5
35.1007K *	10 x 7
35.1008K	10 x 8
35.1010K	10 x 10
35.1203K *	12 x 3
35.1204K *	12 x 4
35.1204KL	12 x 4
35.1206K *	12 x 6
35.1208K *	12 x 8
35.1209K *	12 x 9
35.1212K *	12 x 12
35.1503K *	15 x 3
35.1504K	15 x 4
35.1505K	15 x 5
35.1506K	15 x 6
35.1507K *	15 x 7

Art.	A x B (mm)
35.1510K	15 x 10
35.1512K *	15 x 12
35.1515K	15 x 15
35.1605K *	16 x 5
35.1608K *	16 x 8
35.1708K *	17 x 8
35.1803K *	18 x 3
36.1808KX	18 x 8
35.18053K *	18 x 5,3
35.1809K *	18 x 9
35.1904K *	19 x 4
35.2003K	20 x 3
35.2005K	20 x 5
35.2006K	20 x 6
35.20055K *	20 x 5,5
35.2010K *	20 x 10
35.2010KL	20 x 10
35.2012K	20 x 12
35.2015K	20 x 15
35.2020K	20 x 20

Art.	A x B (mm)
35.2207K *	22 x 7
35.2505K	25 x 5
35.2508K *	25 x 8
35.2510K	25 x 10
35.2515K	25 x 15
35.2520K	25 x 20
35.2525K	25 x 25
35.2806K	28 x 6
35.3003K	30 x 3
35.3005K	30 x 5
35.3006K	30 x 6
35.3007K *	30 x 7
35.3010K	30 x 10
35.3012K	30 x 12
35.3015K	30 x 15
35.3020K	30 x 20
35.3025K *	30 x 25
35.3030K	30 x 30
35.3505K *	35 x 5

Art.	A x B (mm)
35.3510K *	35 x 10
35.3535K *	35 x 35
35.4003K	40 x 3
35.4005K	40 x 5
35.4010K	40 x 10
35.4012K *	40 x 12
35.4020K *	40 x 20
35.4030K	40 x 30
35.4035K	40 x 35
35.4040K	40 x 40
35.4505K *	45 x 5
35.5006K	50 x 6
35.5010K	50 x 10
35.5020K *	50 x 20
35.6002K	60 x 2
35.8020K *	80 x 20
35.10020K *	100 x 20



Material: EPDM, **dark grey**

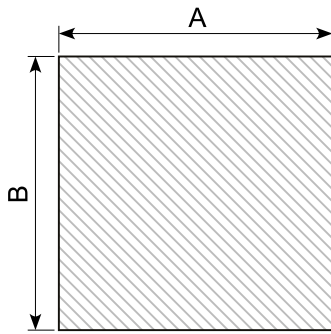
Hardness: SH 16 - 20 density 0,4 - 0,5

Art.	A x B (mm)
36.1010E	10 x 10
36.1210E *	12 x 10
36.1503E *	15 x 3
36.1505E	15 x 5
36.1510E	15 x 10
36.1512E *	15 x 12
36.1612E *	16 x 12
36.1815EG*	18 x 15

Art.	A x B (mm)
36.2010E	20 x 10
36.2510E	25 x 10
36.2520E *	25 x 20
36.2525E *	25 x 25
36.3010E	30 x 10
36.3025E	30 x 25
36.3520E *	35 x 20
36.4010E *	40 x 10

Art.	A x B (mm)
36.4015E	40 x 15
36.4020E *	40 x 20
36.4025E *	40 x 25
36.4030E	40 x 30
36.5020E *	50 x 20
36.6030E *	60 x 30

Svampegummi / Sponge rubber



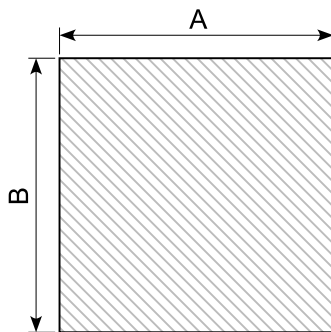
Material: NR, **dark grey**

Hardness: SH 16 - 20 density 0,4 - 0,5

Art.	A x B (mm)
36.0505 *	5 x 5
36.0806 *	8 x 6
36.1003	10 x 3
36.1005 *	10 x 5
36.1005G light grey *	10 x 5
36.1007 *	10 x 7
36.1008 *	10 x 8
36.1010 black	10 x 10
36.1205 *	12 x 5
36.1206 *	12 x 6
36.1210	12 x 10
36.1503 *	15 x 3
36.1510	15 x 10
36.1512 *	15 x 12
36.1515	15 x 15
36.1604	16 x 4

Art.	A x B (mm)
36.1605 *	16 x 5
36.1808G *	18 x 8
36.1816 *	18 x 16
36.2002 *	20 x 2
36.2003 *	20 x 3
36.2005	20 x 5
36.2010	20 x 10
36.2015	20 x 15
36.2020	20 x 20
36.2503 *	25 x 3
36.2505	25 x 5
36.2510	25 x 10
36.2515	25 x 15
36.2520 *	25 x 20
36.2525	25 x 25
36.3003 *	30 x 3

Art.	A x B (mm)
36.3005	30 x 5
36.3010	30 x 10
36.3015	30 x 15
36.3020	30 x 20
36.3030	30 x 30
36.3516 *	35 x 16
36.4010 *	40 x 10
36.4012 *	40 x 12
36.4015 *	40 x 15
36.4025	40 x 25
36.5010 *	50 x 10
36.5020	50 x 20
36.5025 *	50 x 25
36.5030	50 x 30

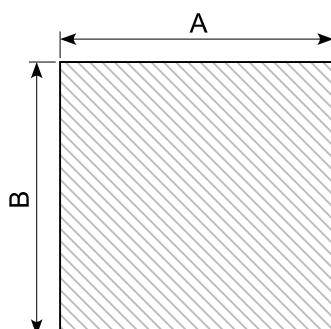


Material: Economy EPDM, **black**

Hardness: Density 0,45

Art.	A x B (mm)	Min. order (m)
36.1005X *	10 x 5	3.000
36.1505X *	15 x 5	3.000
36.2005X *	20 x 5	3.000
36.2505X *	25 x 5	3.000
36.3005X *	30 x 5	
36.1406X *	14 x 6	3.000
36.1007X *	10 x 7	3.000
36.1507X *	15 x 7	3.000
36.2507X *	25 x 7	3.000
36.2008X	20 x 8	
36.2508X *	25 x 8	3.000
36.1010X *	10 x 10	3.000
36.1210X *	12 x 10	3.000
36.2010X	20 x 10	
36.4010X *	40 x 10	2.000

Art.	A x B (mm)	Min. order (m)	
36.5010X *	50 x 10	1.000	
36.12511X *	12,5 x 11	3.000	
36.1212X *	12 x 12	3.000	
36.1612X *	16 x 12	3.000	
36.2318X *	23 x 18	2.000	
36.3015X *	30 x 15	1.500	
36.3515X *	35 x 15	1.500	
36.4020X	40 x 20	3.000	
36.3003X *	30 x 3		
36.3006X *	30 x 6	3.000	
36.3020X *	30 x 20	1.500	Soft corners
36.3305X *	33 x 5	3.000	
36.3520X	35 x 20	1.000	Soft corners
36.5005X *	50 x 5	2.000	
36.2512X	25 x 12	2.000	Soft corners

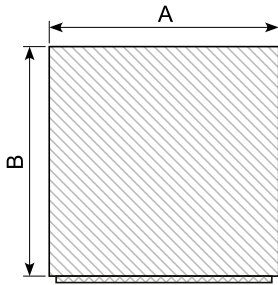


Material: CR, **black**

Hardness: SH 18 - 25 density 0,5 - 0,75

Art.	A x B (mm)
36.1010CR *	10 x 10
36.2010CR *	20 x 10
36.2020CR *	20 x 20
36.3015CR	30 x 15
36.64004CR *	40 x 4
36.4020CR *	40 x 20
36.60503CR *	50 x 3
36.5005CR *	50 x 5

Svampegummi / Sponge rubber



Industry Quality: -60 °C / +220 °C
With tape: -60 °C / +180 °C
Material: Silicone, **off white**
Hardness: SH 16 - 20 / density 0,4 - 0,5
F: FDA
K: with adhesive

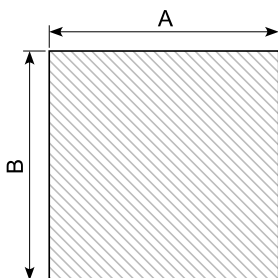
Art.	A x B (mm)
36.1010SIH *	10 x 10
36.1512SIH *	15 x 12
36.1515SIH	15 x 15
36.1610SIH	16 x 10
36.2003SIH *	20 x 3
36.2010SIH *	20 x 10
36.2010SIHK *	20 x 10
36.2015SIH *	20 x 15
36.2020SIH *	20 x 20
36.2020SIHF *	20 x 20
36.2505SIH	25 x 5
36.2505SIHF *	25 x 5
36.2510SIH	25 x 10
36.2515SIH *	25 x 15
36.2520SIH	25 x 20
36.3005SIHK *	30 x 5
36.3020SIH *	30 x 20
36.4005SIHK *	40 x 5
36.4012SIH *	40 x 12

Industry Quality: -60 °C / +200 °C
Material: Silicone, **white**
Hardness: SH 16 - 20 / density 0,55 - 0,65
Compliant to (E6) 1935/2004 and EU 10/2011 in contact with food
F: FDA
K: with adhesive. These can not be used in contact with food

Art.	A x B (mm)
36.1204SIHKF *	12 x 4
36.1505SIHF *	15 x 5
36.1616SIHF *	16 x 16
36.2005SIHF *	20 x 5
36.3005SIHKF *	30 x 5

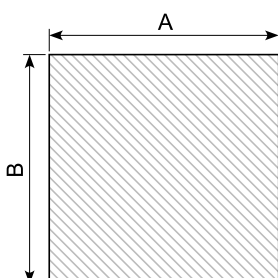
Industry Quality: -60 °C / +200 °C
Material: Silicone, **white**
Hardness: SH 16 - 20 / density 0,55 - 0,65

Art.	A x B (mm)
36.1006SIH	10 x 6
36.1212SIH	12 x 12
36.1505SIH	15 x 5
36.2525SIH	25 x 25
36.3010SIH *	30 x 10
36.5005SIH *	50 x 5



Material: NBR

Art.	A x B (mm)
36.2010SIS *	20 x 10
36.2520SIS *	25 x 20



Material: NBR

Art.	A x B (mm)
36.6020NBR	60 x 20

Svampegummi / Sponge rubber



Sponge rubber plates

Material: EPDM / NR

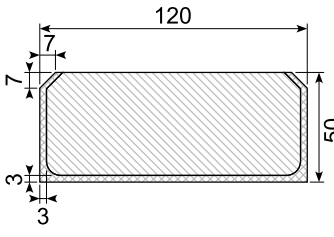
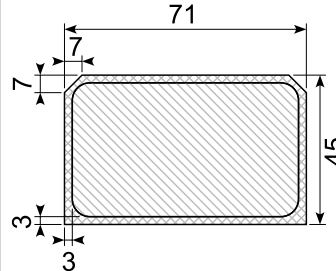
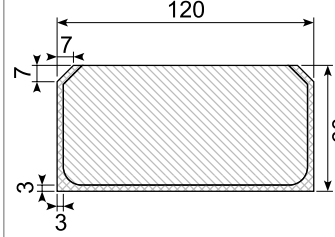
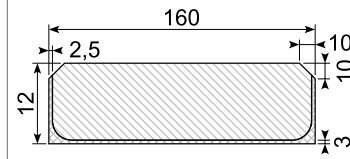
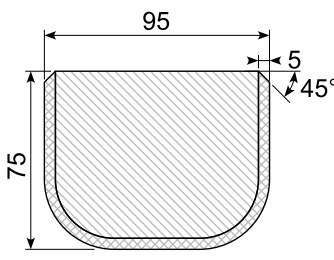
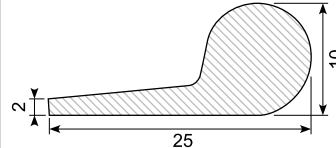
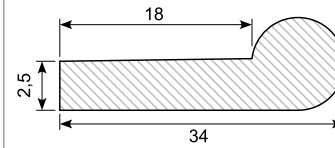
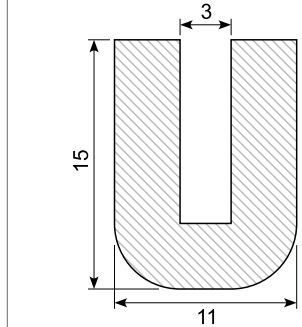
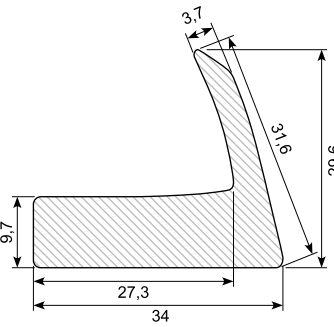
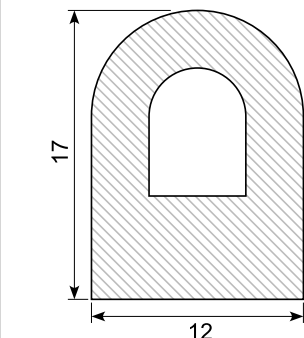
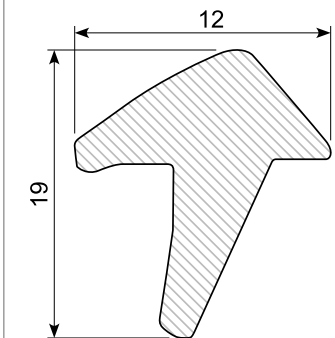
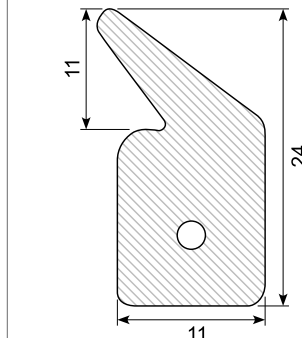
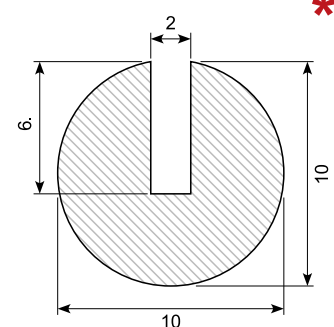
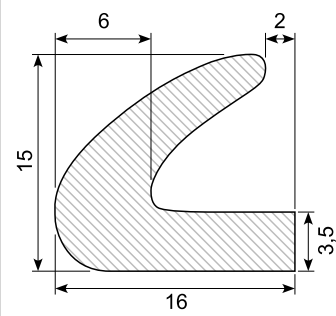
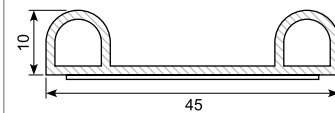
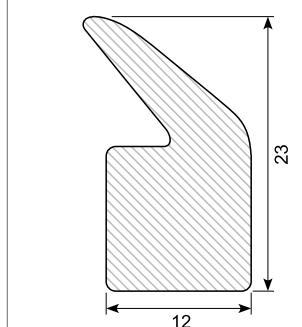
Color: Dark grey

Art.	Length (mm)	Thickness (mm)	Width (mm)	Quality
38.152EPDM	1.000	2	1.000	EPDM
38.153EPDM	1.000	3	1.000	EPDM
38.154EPDM	1.000	4	1.000	EPDM
38.155EPDM	1.000	5	1.000	EPDM
38.156EPDM	1.000	6	1.000	EPDM
38.158EPDM	1.000	8	1.000	EPDM
38.160EPDM	1.000	10	1.000	EPDM
38.162EPDM	1.000	12	1.000	EPDM
38.165EPDM	1.000	15	1.000	EPDM
38.170EPDM	1.000	20	1.000	EPDM
38.175EPDM	1.000	25	1.000	EPDM
38.180NR *	1.000	30	1.000	NR

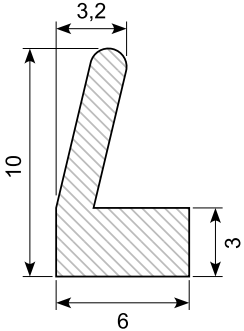
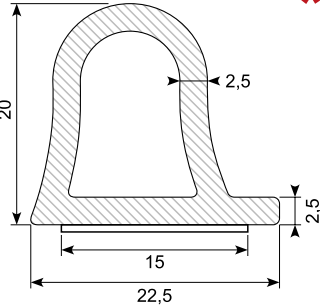
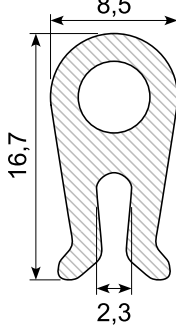
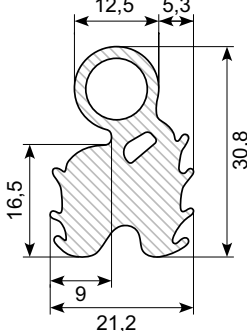
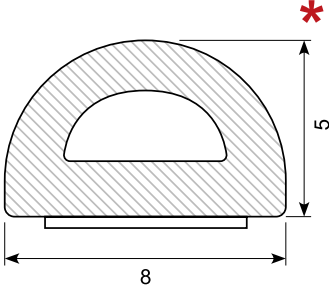
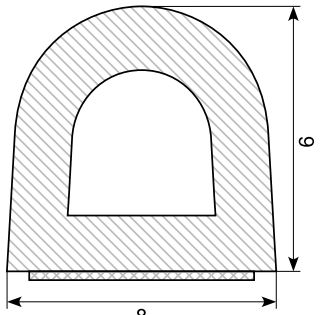
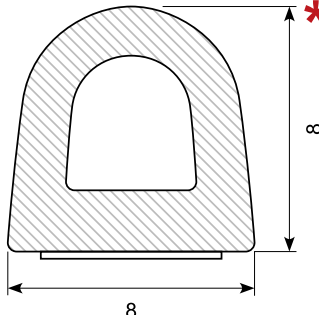
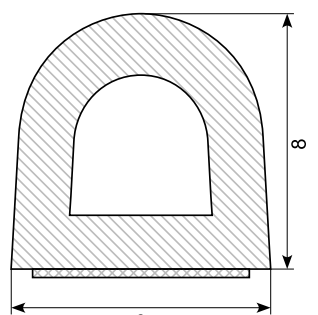
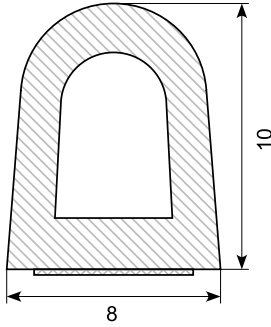
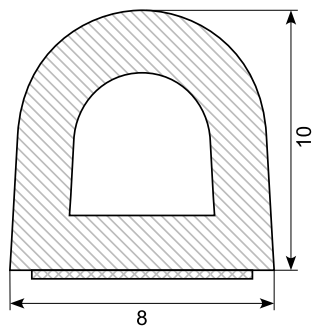
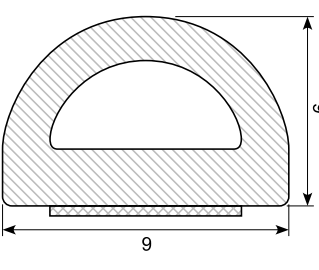
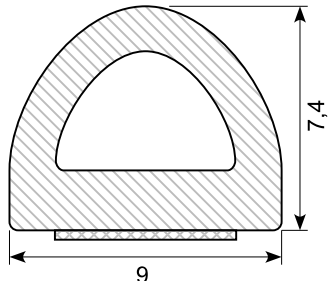
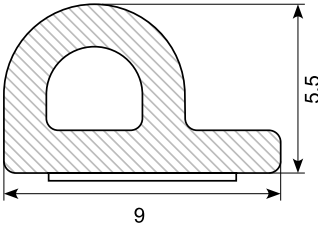
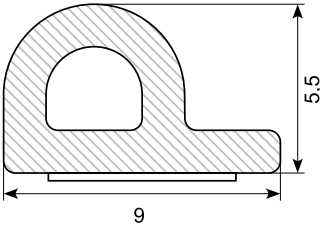
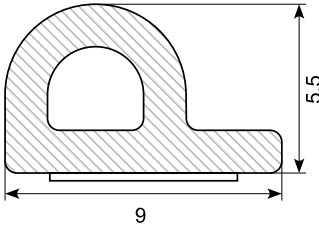
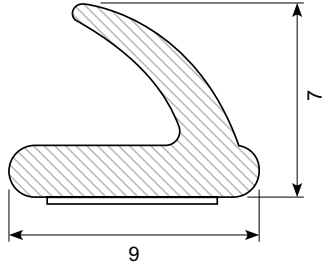
Svampegummi i svøb (lugepakninger)

36.K608 *	36.K613 *	36.K616 *	36.K671 *
<p>Color: Black</p>	<p>Color: Black</p>	<p>Color: Black</p>	<p>Color: Black</p>
36.K675 *	36.K676 *	36.K677 *	36.K678 *
<p>Color: Black</p>	<p>Color: Black</p>	<p>Color: Black</p>	<p>Color: Black</p>
36.K679 *	36.K680 *	36.K681 *	36.K683 *
<p>Color: Black</p>	<p>Color: Black</p>	<p>Color: Black</p>	<p>Color: Black</p>

Svampegummi / Sponge rubber

<p>36.K695 *</p>  <p>Color: Black</p>	<p>36.K697 *</p>  <p>Color: Black</p>	<p>36.K698 *</p>  <p>Color: Black</p>	<p>36.K852 *</p>  <p>Color: Black</p>
<p>36.K853 *</p>  <p>Color: Black</p>	<p>36.3351 *</p>  <p>Material: EPDM, black Hardness: SH 14 - 16 / density 0,38 - 0,4 Min. order: 500 m</p>	<p>36.3354 *</p>  <p>Material: NR, dark grey Hardness: SH 16 - 20 density 0,4 Min. order: 2.400 m</p>	<p>36.3813</p>  <p>Material: EPDM, dark grey Hardness: SH 16 - 20 density 0,4 - 0,45</p>
<p>36.B380</p>  <p>Material: EPDM Length: 3 m</p>	<p>36.3315</p>  <p>Material: EPDM, black Hardness: SH 18 - 20 density 0,45 - 0,55</p>	<p>36.3504</p>  <p>Material: EPDM, dark grey Hardness: SH 14 - 16 density 0,38 - 0,42</p>	<p>36.3881 / 36.3881S *</p>  <p>Material: EPDM, grey / black Hardness: SH 16 - 20 density 0,4 - 0,5 36.3881S *: Black</p>
<p>36.14044 *</p>  <p>Material: EPDM Min. order: 500 m</p>	<p>36.3704</p>  <p>Material: NR, dark grey Hardness: SH 20 - 25 density 0,55 - 0,65</p>	<p>30.13144XX</p>  <p>Material: EPDM With adhesive</p>	<p>36.3882</p>  <p>Material: CR, black</p>

Svampegummi / Sponge rubber

<p>36.3897</p>  <p>Material: EPDM, light grey</p>	<p>30.13315 *</p>  <p>Hardness: Density 0,7 With adhesive Min. order: 1.000 m</p>	<p>30.9884S *</p>  <p>Material: EPDM Min. order: 3.000 m</p>	<p>30.E368</p>  <p>Material: EPDM, black</p>
<p>36.730805H *</p>  <p>Material: EPDM, white Density: 0,25 - 0,40 With adhesive Min. order: 21.600 m</p>	<p>36.9086S</p>  <p>Material: EPDM, black With adhesive</p>	<p>36.730808 *</p>  <p>Material: EPDM, black Density: 0,25 - 0,35 With adhesive Min. order: 21.600 m</p>	<p>36.9088S</p>  <p>Material: EPDM, black With adhesive</p>
<p>36.730810</p>  <p>Material: EPDM, black Density: 0,35 - 0,45 With adhesive</p>	<p>36.90810</p>  <p>Material: EPDM, black Density: 0,35 - 0,45 With adhesive</p>	<p>36.730906 / 36.730906H *</p>  <p>Material: EPDM, black / white Density: 0,25 - 0,35 With adhesive 36.730906H: min. order: 4.800 m</p>	<p>36.730907 / 36.730907G / 36.730907H</p>  <p>Material: EPDM, black / light grey / white Density: 0,25 - 0,35 With adhesive</p>
<p>36.730955</p>  <p>Material: EPDM, black Density: 0,25 - 0,35 With adhesive</p>	<p>36.730955G/36.730955H/36.730955B</p>  <p>Material: EPDM, grey/white/brown Density: 0,25 - 0,35</p>	<p>36.80955S</p>  <p>Material: EPDM, black With adhesive</p>	<p>36.740907H *</p>  <p>Material: EPDM, white Density: 0,35 - 0,45 With adhesive Min. order: 21.600 m</p>

Svampegummi / Sponge rubber

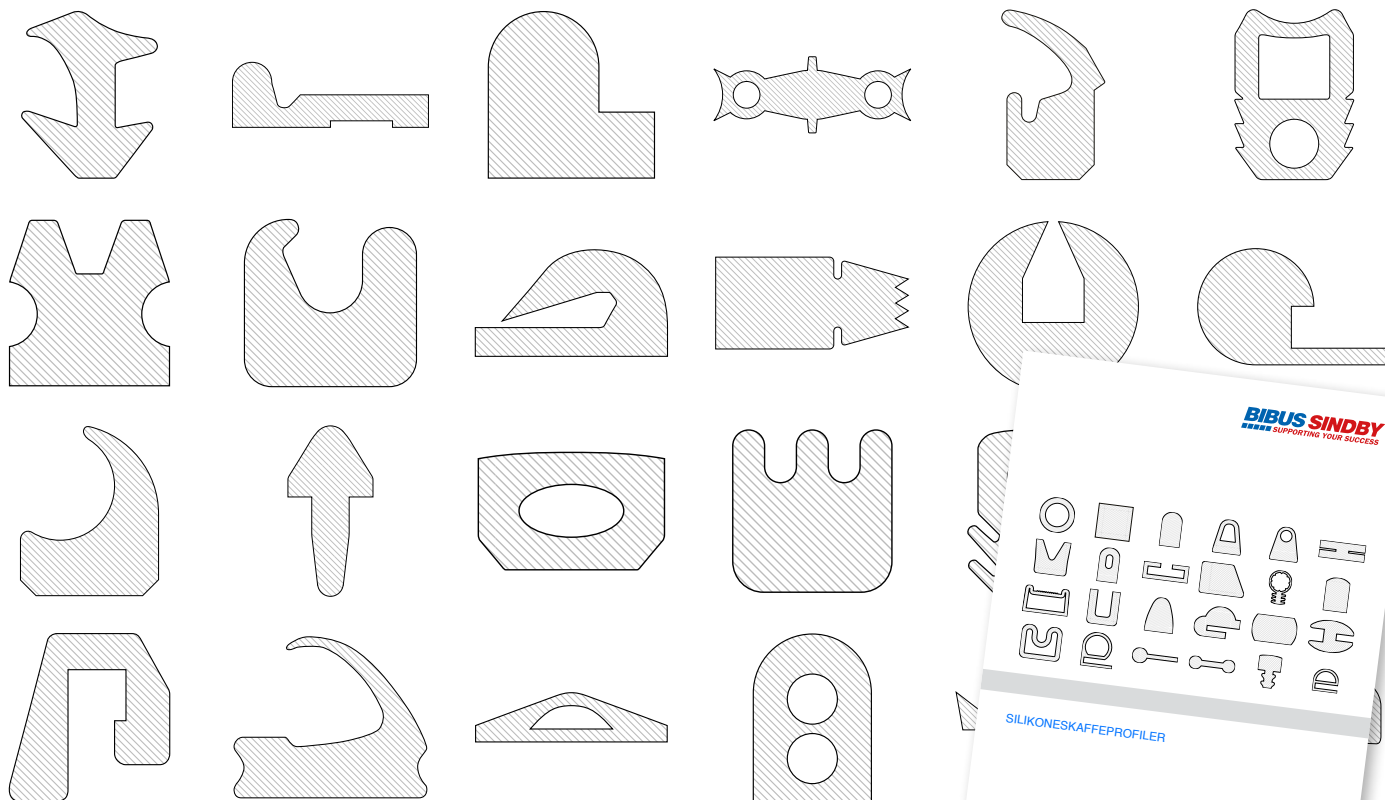
36.731210 / 36.731210H	36.731412D	36.732115	36.92117
<p>Material: EPDM, black / white Density: 0,25 - 0,35 With yellow adhesive</p>	<p>Material: EPDM, black Density: 0,25 - 0,35 With adhesive</p>	<p>Material: EPDM, black Density: 0,45 - 0,55 With adhesive</p>	<p>Material: EPDM, black With adhesive</p>

Skaffevarer - Svampegummiprofiler / Special order - Sponge rubber profiles

Vi kan skaffe svampegummiprofiler i forskellige udformninger.

Herunder ser du et lille udvalg. På vores hjemmeside kan du finde et katalog med endnu flere muligheder. Se hele kataloget for svampegummiskaffeprofiler ved at scanne QR-koden. Pris og varenummer på forespørgsel.

We can get sponge rubber profiles in different shapes. Here you will find a small selection. On our webpage you can find a catalog with even more possibilities. Scan the QR-code to see the catalog. Price and product number on request.



Glasbånd

Window seals

Glasbånd med klæb er multianvendeligt og kan bruges til f.eks. vinduer, drivhuse og termoglas, en utæt hovedør eller som mellemlæg eller tætning ved pandeplader og stålprofiler.

Ligesom svampegummi vil denne gummitype nemt forme sig efter alle strukturer og modvirke lækager.

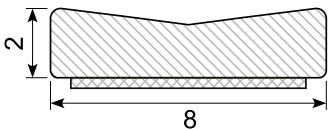
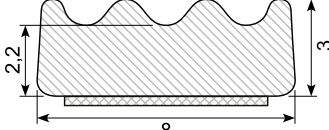
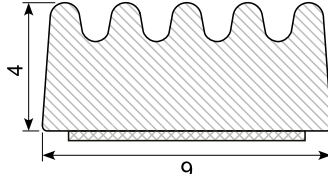
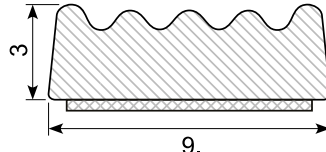
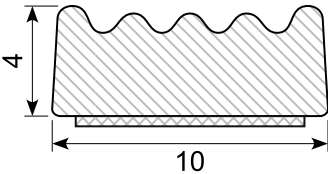
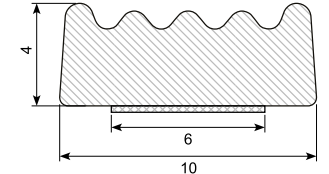
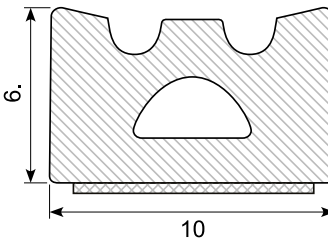
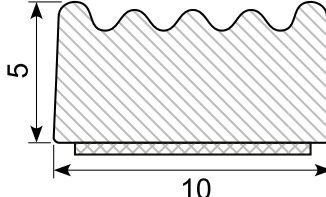
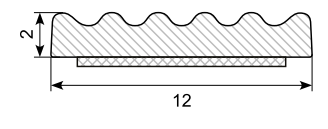
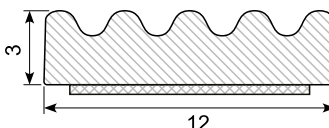
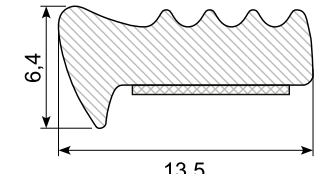
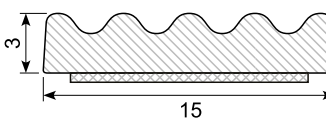
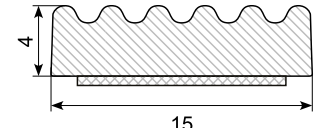
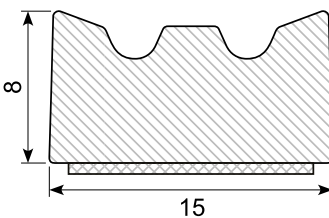
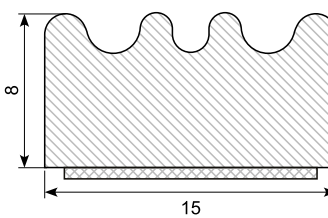
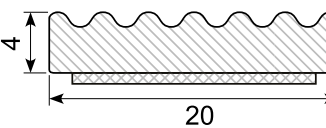
Materialer og farver er der mange af, så du altid får et produkt, der dækker behovet.

Window seals with adhesive is versatile for windows, greenhouses and thermal glass, a leaking garden door or as a spacer. Like sponge rubber, this kind of rubber easily molds to all structures and counteracts leaks.

There are many materials and colors, so you can always get a product that suits your requirements.



Glasbånd / Window seals

36.720802	36.720803	36.720904	36.720903
 <p>Material: EPDM, black Density: 0,35 - 0,45 With adhesive</p>	 <p>Material: EPDM, black Density: 0,35 - 0,45 With adhesive</p>	 <p>Material: EPDM, black Density: 0,35 - 0,45 With adhesive</p>	 <p>Material: EPDM, black Density: 0,35 - 0,45 With adhesive</p>
36.721004	36.721004-6	36.721006	36.721005
 <p>Material: EPDM, black Density: 0,35 - 0,45 With adhesive</p>	 <p>Material: EPDM, black Density: 0,35 - 0,45 With narrow 6 mm adhesive Partivare fra 2013 - Udgår</p>	 <p>Material: EPDM, black Density: 0,35 - 0,45 With adhesive</p>	 <p>Material: EPDM, black Density: 0,35 - 0,45 With adhesive</p>
36.721202	36.721203	36.7213564	36.721503
 <p>Material: EPDM, black Density: 0,35 - 0,45 With adhesive</p>	 <p>Material: EPDM, black Density: 0,35 - 0,45 With adhesive</p>	 <p>Material: EPDM, black Density: 0,35 - 0,45 With adhesive</p>	 <p>Material: EPDM, black Density: 0,35 - 0,45 With adhesive</p>
36.721504	36.721508	36.721508B	36.722004
 <p>Material: EPDM, black Density: 0,35 - 0,45 With adhesive</p>	 <p>Material: EPDM, black Density: 0,35 - 0,45 With adhesive</p>	 <p>Material: EPDM, black Density: 0,25 - 0,35 With adhesive</p>	 <p>Material: EPDM, black Density: 0,35 - 0,45 With adhesive</p>

Cellegummi

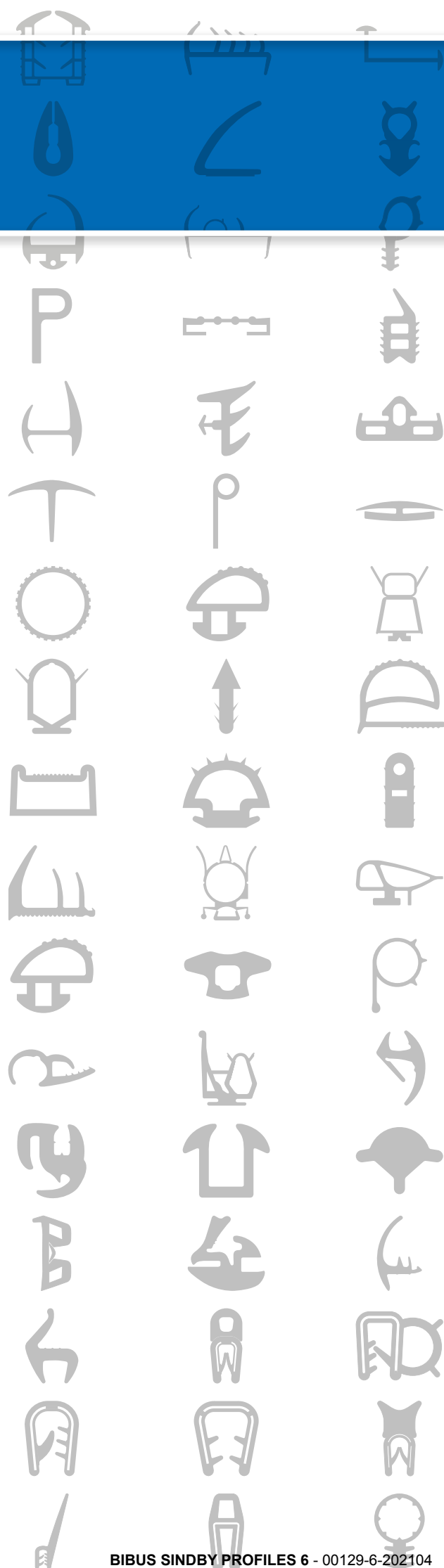
Cellular rubber

Cellegummi er ekstruderet, og når det produceres gør tilsætningen af gas, at der opstår en fuldstændig ensartet cellestruktur - også i overfladen.

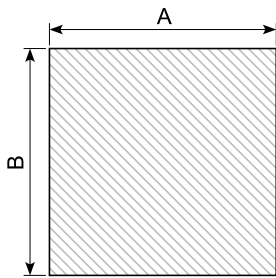
Vi har meget lave tolerancer på cellegummi, hvorfor det er meget anvendt i industrien med specialklæber. Cellegummi findes i gummityperne EPDM og CR.

Cellular rubber is extruded. During production, the addition of gas results in a completely uniform cell structure - also on the surface.

Our cellular rubber has very low tolerances. Therefore it is often used in industry with special glue. Available in EPDM and CR.

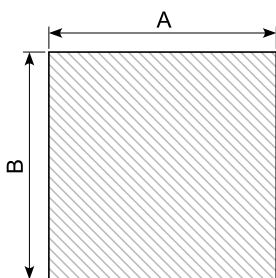


Cellegummi / Cellular rubber



Material: EPDM, black
Hardness: SH 25 / density 0,14
With adhesive

Art.	A x B (mm)	Art.	A x B (mm)	Art.	A x B (mm)	Art.	A x B (mm)
36.60403	4 x 3	36.61005	10 x 5	36.61530 *	15 x 30	36.62525 *	25 x 25
36.60404	4 x 4	36.61008	10 x 8	36.61603	16 x 3	36.63005	30 x 5
36.60405	4 x 5	36.61010	10 x 10	36.61710 *	17 x 10	36.63010	30 x 10
36.60503	5 x 3	36.61203	12 x 3	36.61808	18 x 8	36.63012	30 x 12
36.60505	5 x 5	36.61204 *	12 x 4	36.62002	20 x 2	36.64003	40 x 3
36.60605 *	6 x 5	36.61205	12 x 5	36.62003	20 x 3	36.64005 *	40 x 5
36.60802	8 x 2	36.61310 *	13 x 10	36.62004	20 x 4	36.64010	40 x 10
36.60803	8 x 3	36.61502 *	15 x 2	36.62005	20 x 5	36.64015	40 x 15
36.60804	8 x 4	36.61503	15 x 3	36.62008	20 x 8	36.64020	40 x 20
36.60805 *	8 x 5	36.61505	15 x 5	36.62010	20 x 10	36.65003	50 x 3
36.60808	8 x 8	36.61506	15 x 6	36.62020	20 x 20	36.65010 *	50 x 10
36.61001	10 x 1	36.61508	15 x 8	36.62305 *	23 x 5	36.66004	60 x 4
36.61002	10 x 2	36.61510	15 x 10	36.62502	25 x 2	36.66004X *	60 x 4
36.61003	10 x 3	36.61512	15 x 12	36.62506	25 x 6	36.67502	75 x 2
36.61004	10 x 4	36.61518	15 x 18	36.62510	25 x 10	36.27007506	76 x 6



Material: CR with standard adhesive
CR-5952 tape without glassfiber
Hardness: SH 25 / density 0,14

Art.	A x B (mm)	Art.	A x B (mm)	Art.	A x B (mm)
36.60802CR	8 x 2	36.62002CR *	20 x 2	36.63204CR *	32 x 4
36.60804CR	8 x 4	36.62004CR *	20 x 4	36.64005CR *	40 x 5
36.60808CR *	8 x 8	36.2005CR *	20 x 5	36.65005CR *	50 x 5
36.61003CR	10 x 3	36.2502CR *	25 x 2	36.65005CR-5952 *	50 x 5
36.61010CR *	10 x 10	36.63005CR-5952 *	30 x 5	36.65007CR *	50 x 7
36.61609CR *	16 x 9	36.63030CR	30 x 30	36.68005CR *	80 x 5
				36.68005CR-5952 *	80 x 5

Cellular rubber plates

No adhesive

Material: EPDM

Color: Black

Art.	Length (mm)	Thickness (mm)	Width (mm)	Quality
38.27700002	1.000	2	20.000	EPDM
38.27700003	1.000	3	20.000	EPDM
38.27700004	1.000	4	20.000	EPDM
38.27700005	1.000	5	20.000	EPDM
38.27700006	1.000	6	20.000	EPDM
38.27700008	1.000	8	20.000	EPDM
38.27700010	1.000	10	20.000	EPDM
38.27700015	1.000	15	10.000	EPDM
38.27700020	1.000	20	10.000	EPDM
38.27700025 *	1.000	25	2.000	EPDM
38.188 *	1.000	40	2.000	EPDM
38.189 *	1.000	50	2.000	EPDM

Cellular rubber plates

With adhesive

Material: EPDM

Color: Black

Art.	Length (mm)	Thickness (mm)	Width (mm)	Quality
38.160E/K *	1.000	10	2.000	EPDM
38.170E/K *	1.000	20	2.000	EPDM
38.175E/K *	1.000	25	2.000	EPDM

Cellular rubber plates

Material: CR

Color: Black

Art.	Length (mm)	Thickness (mm)	Width (mm)	Quality
38.190 *	1.000	10	1.400	CR
38.191 *	1.000	15	1.400	CR

Fenderlister

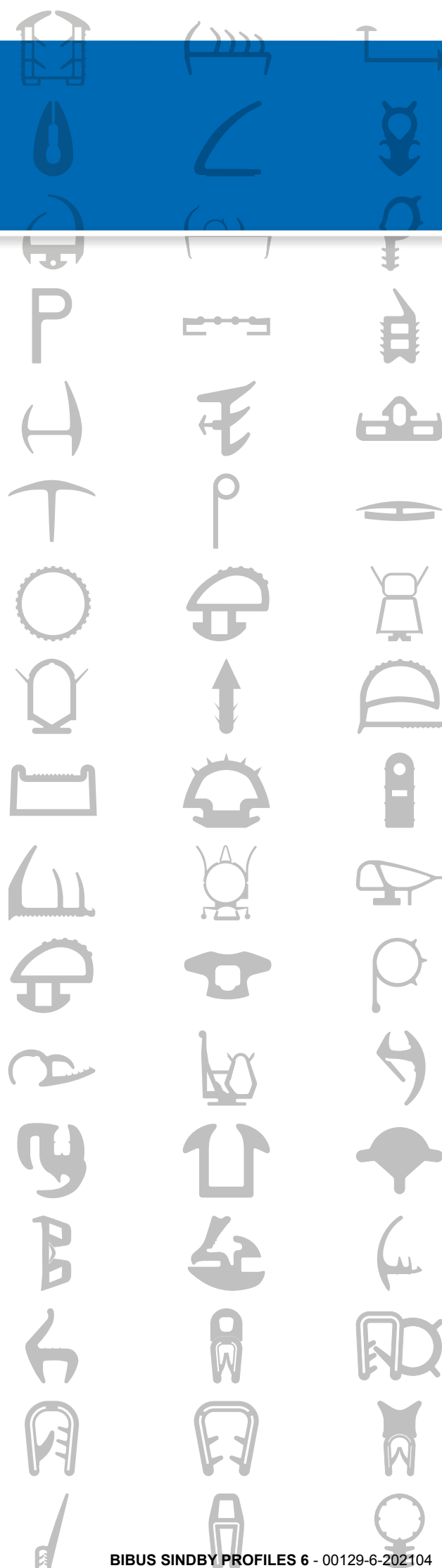
Fender lists

Fendere er støddabsorberende gummiemner, som ofte bruges til både, trucks, lastbiler og på havne.

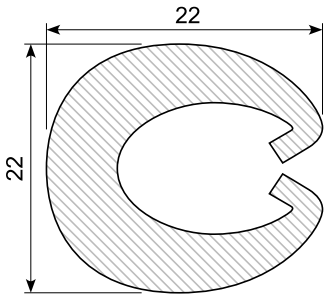
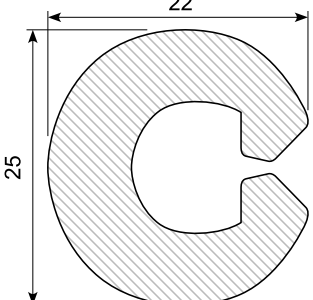
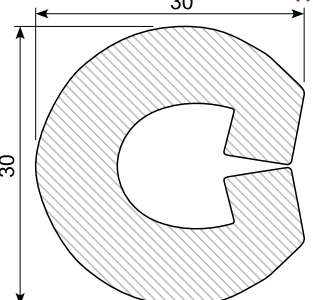
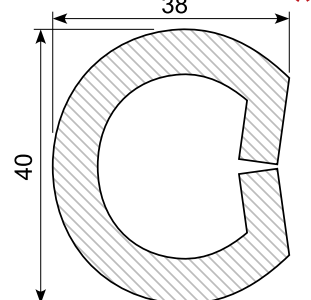
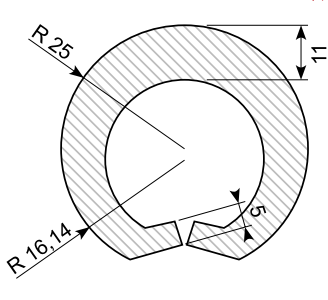
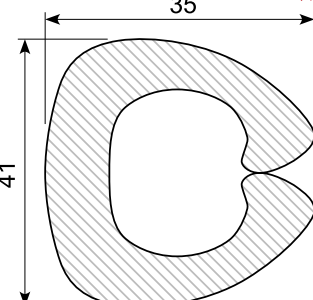
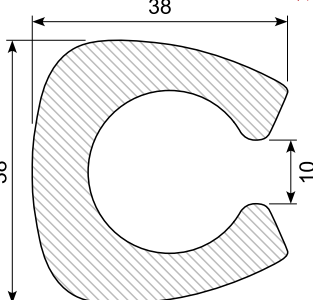
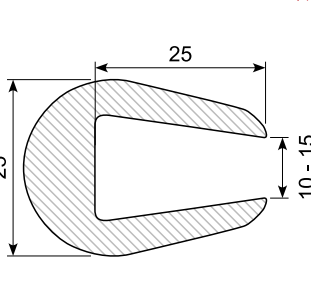
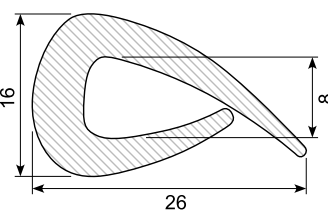
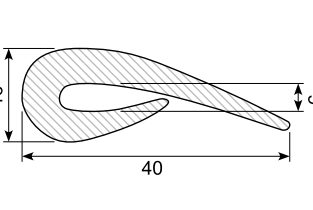
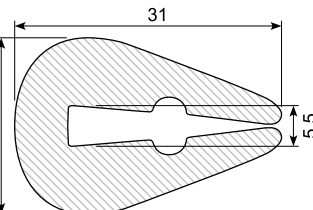
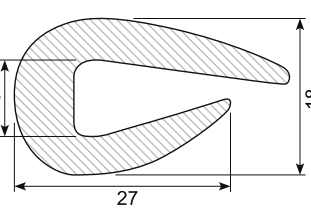
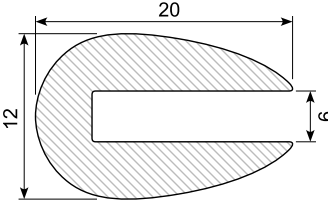
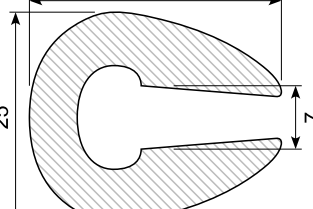
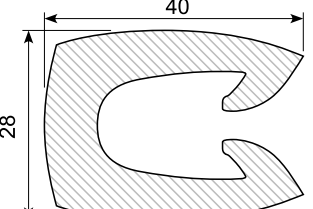
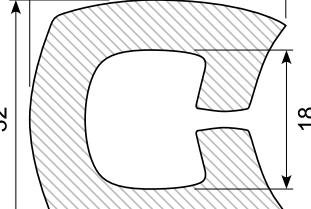
Vi har fenderlister i bl.a. sort, grå og hvid PVC. De findes i forskellige mål og konstruktioner, og de er alle UV-bestandige og slidstærke.

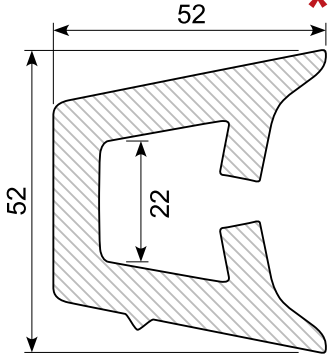
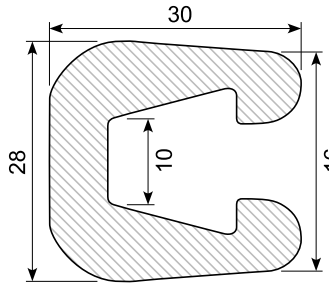
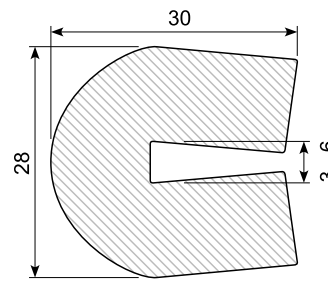
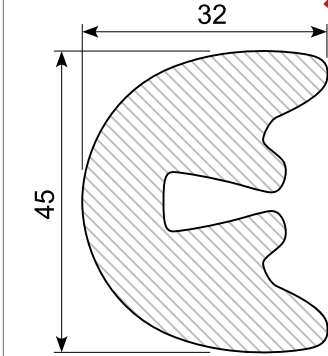
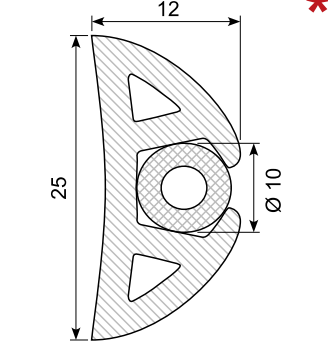
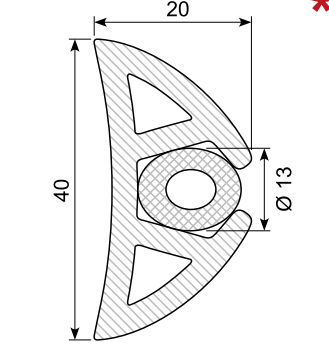
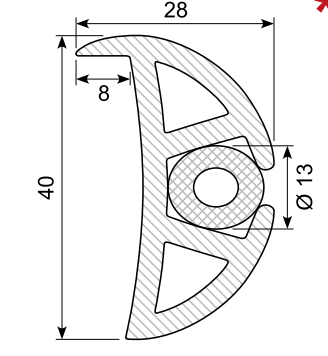
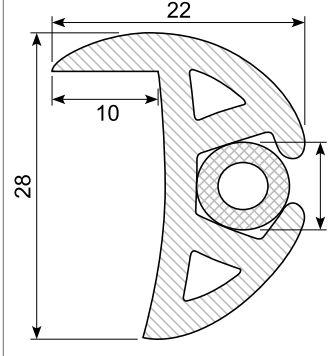
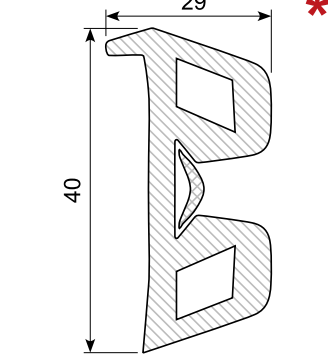
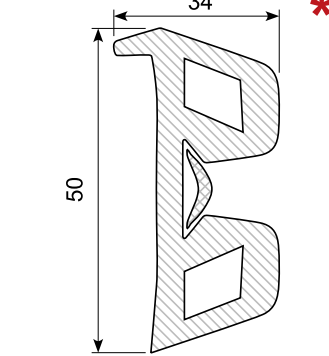
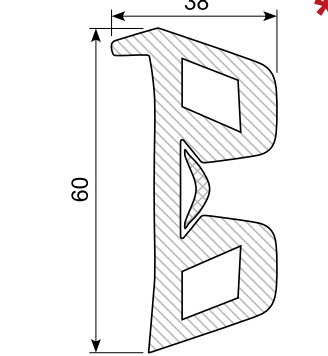
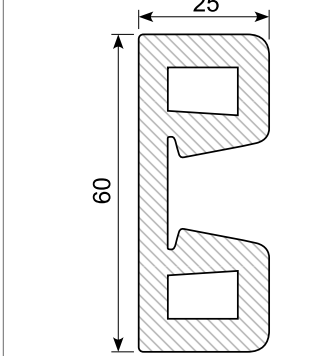
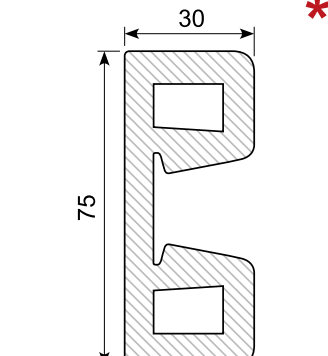
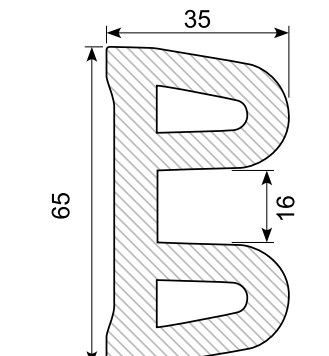
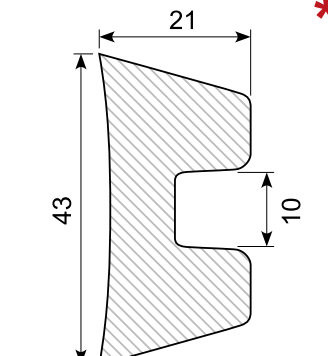
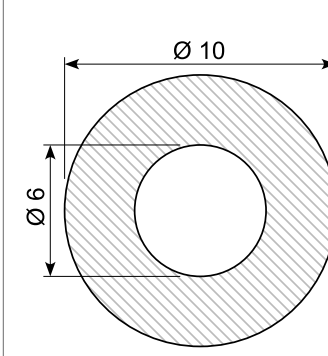
Fenders are shock absorbing rubber items commonly used for boats, in harbors, forklifts and trucks.

We have fender lists in black, gray and white PVC. They are available in different sizes and constructions, but they are all UV resistant and durable.

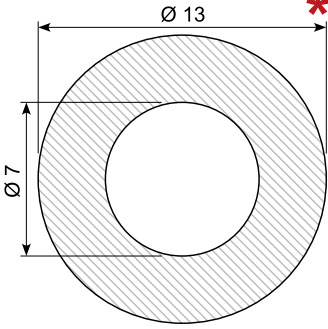
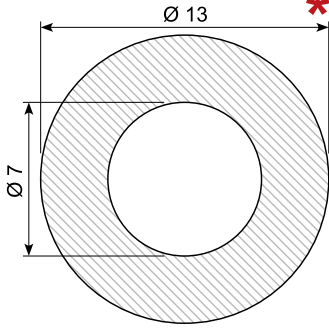
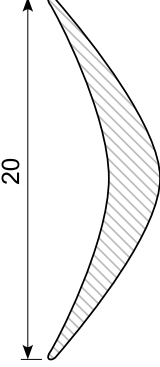
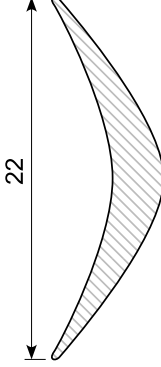
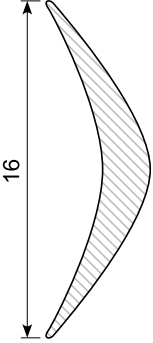
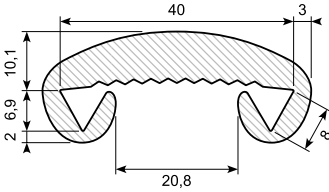
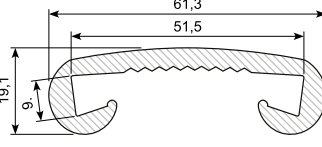
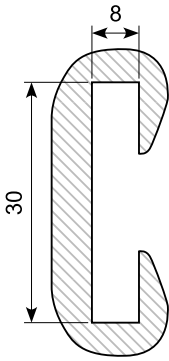
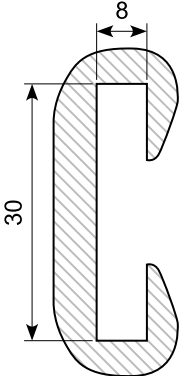
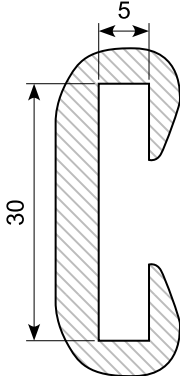
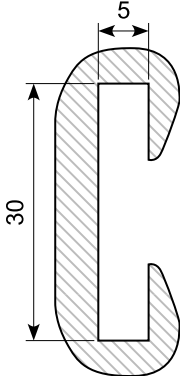


Fenderlister / Fender lists

<p>34.601 / 34.601G *</p>  <p>Material: PVC, black Min. order: 5 m 34.601G *: Grey Min. order: 50-500m</p>	<p>34.602 / 34.602G *</p>  <p>Material: PVC, black Min. order: 5 m 34.602G *: Grey Min. order: 50 m</p>	<p>34.603 / 34.603G</p>  <p>Material: PVC, black 34.603G: Grey</p>	<p>34.604</p>  <p>Material: PVC, black Min. order: 5 m</p>
<p>34.7102-50 *</p>  <p>Material: PVC, black Min. order: 5 m</p>	<p>34.614</p>  <p>Material: PVC, black Min. order: 50 m</p>	<p>34.62105 *</p>  <p>Material: PVC, black Min. order: 5 m</p>	<p>34.3032 *</p>  <p>Material: PVC, black Min. order: 51 m</p>
<p>34.641 *</p>  <p>Material: PVC, black Min. order: 50 m</p>	<p>34.643 *</p>  <p>Material: PVC, black Min. order: 50 m</p>	<p>34.644 *</p>  <p>Material: PVC, black Min. order: 50 m</p>	<p>34.620010 *</p>  <p>Material: PVC, black Min. order: 5 m</p>
<p>34.620040 *</p>  <p>Material: PVC, black Min. order: 5 m</p>	<p>34.620210 *</p>  <p>Material: PVC, black Min. order: 5 m</p>	<p>34.613 *</p>  <p>Material: PVC, black</p>	<p>34.7196 *</p>  <p>Material: PVC, black Min. order: 50 m</p>

<p>34.7199 *</p>  <p>Material: PVC, black Min. order: 25 m</p>	<p>34.620140 *</p>  <p>Material: PVC, black Min. order: 5 m</p>	<p>34.3011 *</p>  <p>Material: PVC, black</p>	<p>34.62110 *</p>  <p>Material: PVC, black Min. order: 5 m</p>
<p>34.62039 *</p>  <p>Material: PVC, black Min. order: 5 m</p>	<p>34.62040 *</p>  <p>Material: PVC, black</p>	<p>34.620420 *</p>  <p>Material: PVC, black Min. order: 5 m</p>	<p>34.62041</p>  <p>Material: PVC, black</p>
<p>34.624 *</p>  <p>Material: PVC, black Min. order: 50 m</p>	<p>34.625 *</p>  <p>Material: PVC, black Min. order: 5 m</p>	<p>34.626 *</p>  <p>Material: PVC, black Min. order: 5 m</p>	<p>34.636</p>  <p>Material: PVC, black</p>
<p>34.637 *</p>  <p>Material: PVC, black Min. order: 20 m</p>	<p>34.3020</p>  <p>Material: PVC, black</p>	<p>34.7514 *</p>  <p>Material: PVC, black Min. order: 5 m</p>	<p>34.62610S</p>  <p>Material: PVC, black</p>

Fenderlister / Fender lists

<p>34.62713H *</p>  <p>Material: PVC, white Min. order: 5 m</p>	<p>34.62713S *</p>  <p>Material: PVC, black Min. order: 5 m</p>	<p>34.677</p>  <p>Material: PVC, white</p>	<p>34.678 *</p>  <p>Material: PVC, white Min. order: 5 m</p>
<p>34.676S *</p>  <p>Material: PVC, black For 34.624 and 34.7106 Min. order: 300 m</p>	<p>34.608X</p>  <p>Material: PVC, black</p>	<p>34.609X</p>  <p>Material: PVC, black</p>	<p>34.606 *</p>  <p>Material: PVC, black Min. order: 100 m</p>
<p>34.606X *</p>  <p>Material: PVC, black Min. order: 500 m</p>	<p>34.607</p>  <p>Material: PVC, black</p>	<p>34.607X *</p>  <p>Material: PVC, black Min. order: 500 m</p>	

Sico trim

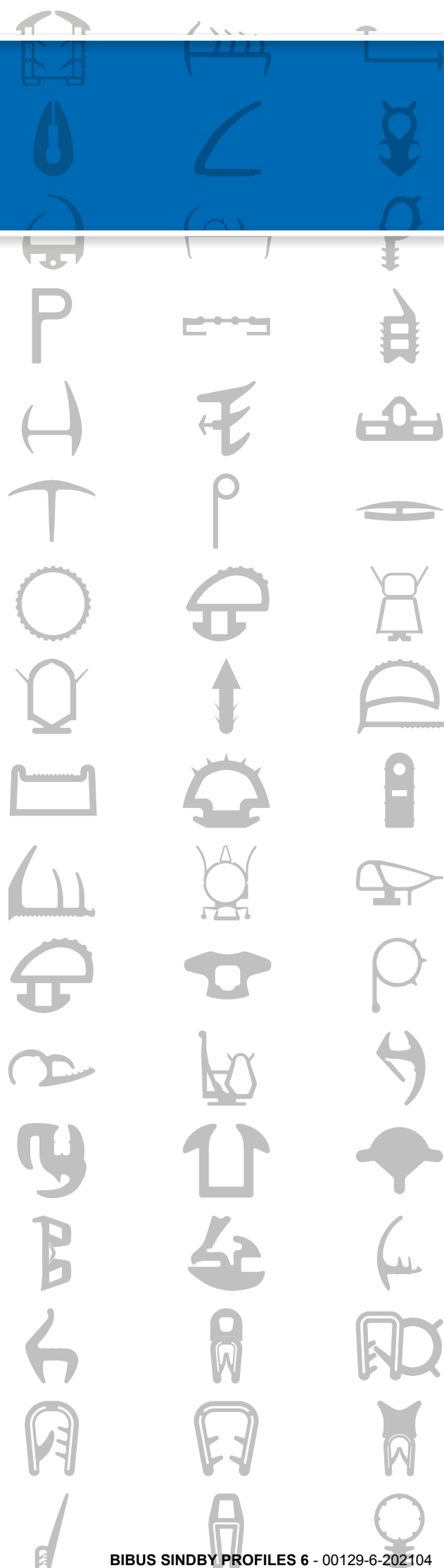
Sico trim

Trimlister (bedre kendt som pyntelister) kender vi fra bildøre og bagklapper på biler. De er også udbredt især i servicefaget, hvor man f.eks. på hoteller og i sundhedssektoren anvender dem som beskyttelse mod skader på døre, karme og vægge.

De er også kendt som eksklusive afslutningslister, som både er dekorative og beskytter mod buler. Vi kan tilbyde et bredt spekter og har langt mere end der er vist her.

We know trims from car doors and hatches. But they are also widely used in the service industry, such as hotels and the healthcare sector, where it's used to protect doors and walls from damage.

They can also be used as exclusive end trims which is decorative, but also protective against dents. We have a wide range and have many more products than shown in this catalog.

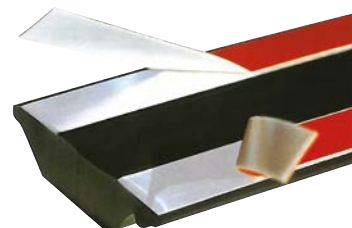
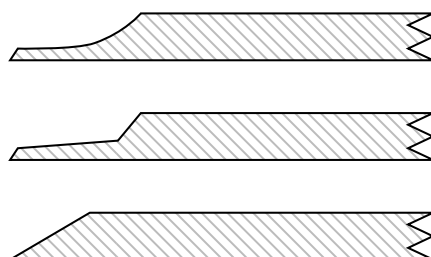


Sico Trim / Sico Trim

<p>45.206AL</p>  <p>Material: PVC, gutter Length: 2 m With adhesive</p>	<p>45.224</p>  <p>Material: PVC, white gutter Length: 25 m With adhesive</p>	<p>45.217C *</p>  <p>Material: PVC, chrome Length: 5 m With adhesive</p>	<p>45.221C *</p>  <p>Material: PVC, chrome Length: 5 m With adhesive</p>
<p>45.347C *</p>  <p>Material: PVC, chrome Length: 5 m With adhesive</p>	<p>45.884C *</p>  <p>Material: PVC, chrome Length: 5 m With adhesive</p>	<p>45.383C *</p>  <p>Material: PVC, chrome Length: 5 m With adhesive</p>	<p>45.388C *</p>  <p>Material: PVC, chrome Length: 5 m With adhesive</p>
<p>45.705C *</p>  <p>Material: PVC, chrome Length: 5 m With adhesive</p>	<p>45.832</p>  <p>Material: PVC Length: 25 m With adhesive</p>	<p>45.836</p>  <p>Material: PVC Length: 25 m With adhesive</p>	<p>45.837</p>  <p>Material: PVC Length: 25 m Hardness: SH 74 - 76 Density: 1,32 With adhesive</p>
<p>45.839 *</p>  <p>Material: PVC Length: 25 m With adhesive Min. order: 300 m</p>	<p>45.872</p>  <p>Material: PVC Length: 25 m With adhesive</p>	<p>45.874</p>  <p>Material: PVC Length: 25 m With adhesive</p>	<p>45.882</p>  <p>Material: PVC Length: 50 m With adhesive</p>

45.886 / 45.886G	45.894 *	45.980A *	45.980K *
 <p>Material: PVC, black Length: 25 m With adhesive 45.886G: Grey</p>	 <p>Material: PVC Length: 25 m With adhesive Min. order: 300 m</p>	 <p>Material: PVC, chrome Length: 25 m With adhesive Min. order: 500 m</p>	 <p>Material: PVC Length: 340 mm With adhesive Example fix lengths Min. order: 1.400 pcs.</p>
45.980S *	45.102G	45.308C / 45.308C-50 *	45.309C / 45.309C-50 *
 <p>Length: 25 m Min. order: 500 m</p>	 <p>Length: 25 m For LED light strips</p>	 <p>Material: PVC, chrome Length: 5 m 45.308C-50: 50 m Min. order: 300 m</p>	 <p>Material: PVC, chrome Length: 5 m 45.309C-50: 50 m Min. order: 300 m</p>
45.216C-50 *	45.123 *	45.393 *	45.394 *
 <p>Material: PVC, chrome Length: 50 m Min. order: 300 m</p>	 <p>Material: PVC gutter Length: 25 m With adhesive Min. order: 300 m</p>	 <p>Material: PVC gutter Length: 25 m With adhesive Min. order: 300 m</p>	 <p>Material: PVC gutter Length: 25 m With adhesive Min. order: 300 m</p>

Diverse endestykker kan skaffes i større mængder



<p>45.901 *</p> <p>Material: PVC gutter Length: 25 m With adhesive Min. order: 300 m</p>	<p>45.2031024 *</p> <p>PVC universal wheel arch panel Length: 1,5 m Set of 4 pcs With adhesive</p>	<p>45.20511046 *</p> <p>PVC universal wheel arch panel Color: Black Length: 6 m Coil With adhesive</p>	<p>45.20511091 *</p> <p>PVC universal wheel arch panel Length: 1,5 m Set of 2 pcs With adhesive</p>
<p>45.2051445 *</p> <p>PVC universal wheel arch panel Length: 12,5 m Coil With adhesive</p>	<p>45.235N1057 *</p> <p>PVC universal wheel arch panel Color: Black Length: 6 m Coil With adhesive</p>	<p>45.235N429 *</p> <p>PVC universal wheel arch panel Color: Black Length: 12,5 m Coil With adhesive</p>	<p>45.235NG1057 *</p> <p>PVC universal wheel arch panel Color: Grey /black Length: 6 m Coil With adhesive</p>
<p>45.235NG429 *</p> <p>PVC universal wheel arch panel Color: Grey /black Length: 12,5 m Coil With adhesive</p>	<p>31.4281</p> <p>Material: EPDM, black Hardness: SH 85 Length: 2,6 m</p>		

Gummibuffer

Rubber buffer

En gummibuffer sikrer en god afstand mellem to elementer og beskytter dem mod at ødelægge hinanden.

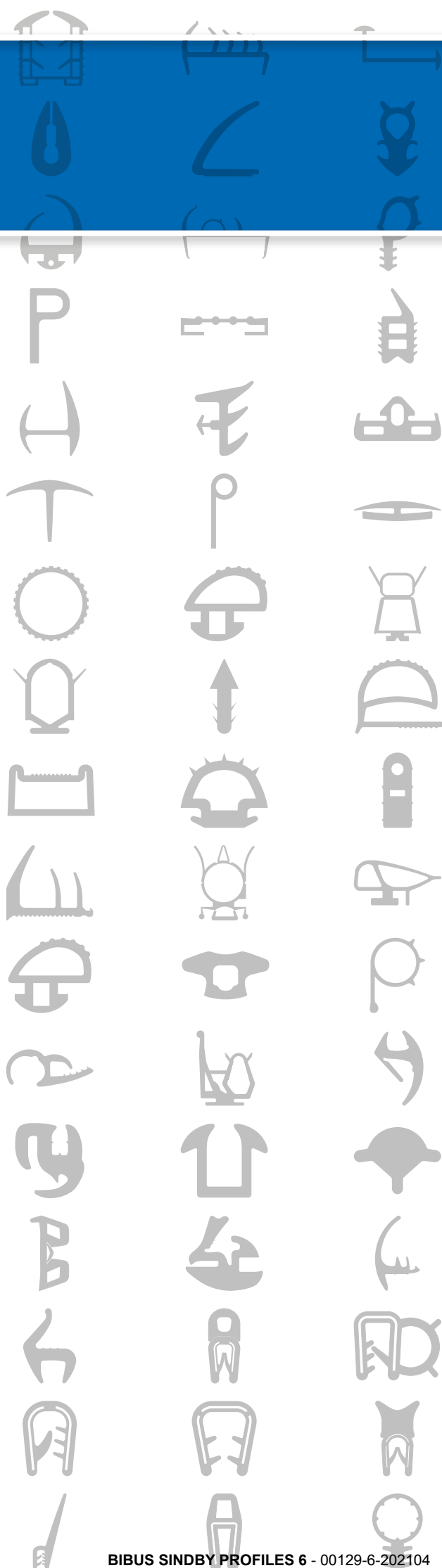
I privat brug kan de f.eks. anvendes som dørstop. I industrien ses de på læsseramper og ved maskinvogne. I det maritime bruger vi dem ved trailere og stativer til opmagasinering.

Vi fører også gummiklodser til autolifte.

A rubber buffer ensures a good distance between two elements, and also protects them from destroying each other.

At home they are used as doorstops. In industry they are used on loading ramps and machine trolleys. In maritime they are used by trailers and racks for storage.

We also have rubber blocks for car lifts in stock.



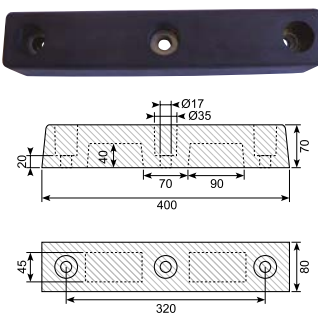
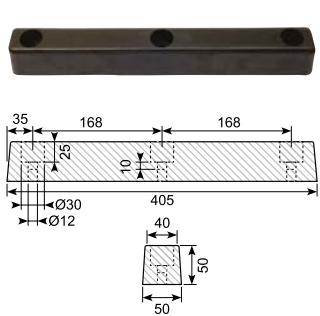
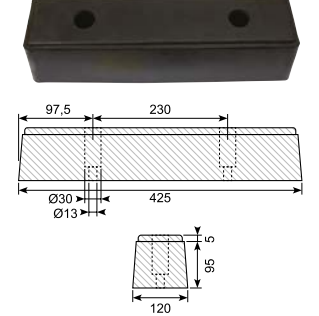
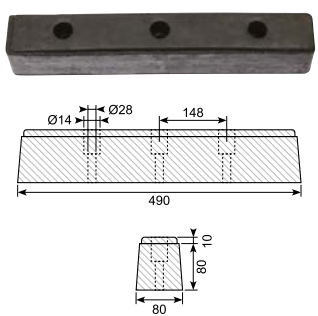
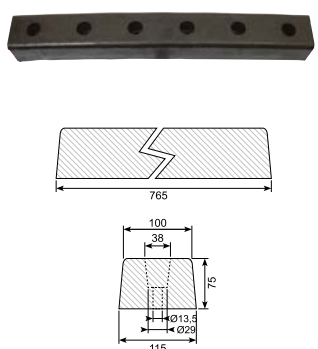
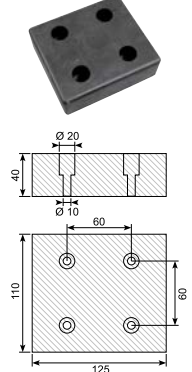
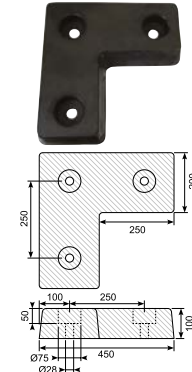
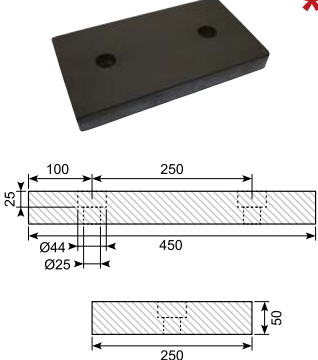
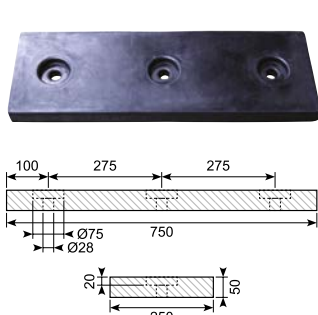
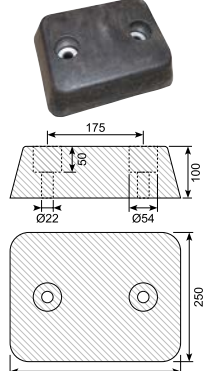
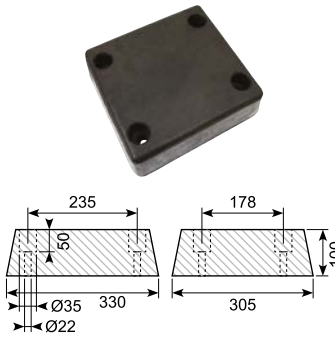
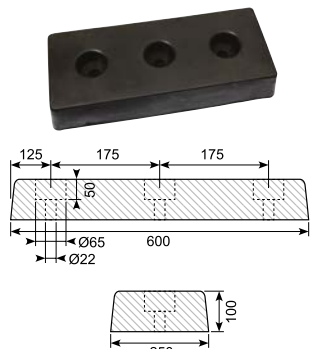
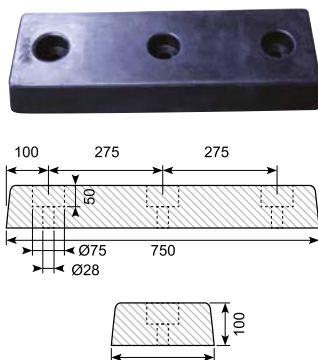
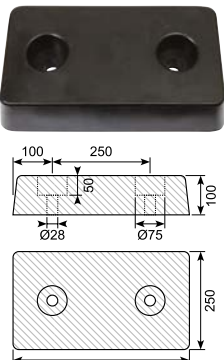
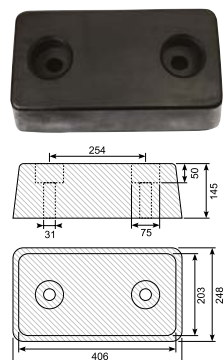
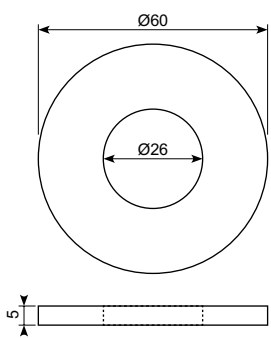
Gummibuffer / Rubber buffer

<p>39.171J / 39.171G</p> <p>Material: Black 39.171G: Light grey</p>	<p>39.175J</p> <p>Material: NR, black Hardness: SH 78</p>	<p>39.175H *</p> <p>Material: NR, white Min. order: 2.000 pcs.</p>	<p>39.632J</p> <p>Material: Black</p>
<p>39.167G</p> <p>Grey rubber buffer</p>	<p>39.168G</p> <p>Grey rubber buffer</p>	<p>39.169G</p> <p>Grey rubber buffer</p>	<p>39.170G</p> <p>Grey rubber buffer</p>
<p>39.174</p> <p>Material: NR / SBR, black</p>	<p>39.177</p> <p>Material: NR / SBR, black</p>	<p>39.178</p> <p>Material: NR / SBR, black</p>	<p>39.179</p> <p>Material: NR / SBR, black</p>
<p>39.632A</p> <p>Material: NR / SBR, black</p>	<p>39.632B</p> <p>Material: NR / SBR, black</p>	<p>39.632C</p> <p>Material: NR / SBR, black</p>	<p>39.172</p> <p>Material: NR / SBR, black</p>

Gummibuffer / Rubber buffer

<p>39.173</p> <p>Material: NR / SBR, black</p>	<p>39.626J</p> <p>Material: NR, black Hardness: SH 85</p>	<p>39.637</p> <p>Vehicle bumper Material: NR / SBR, black</p>	<p>39.625</p> <p>Material: NR / SBR</p>
<p>39.624</p> <p>Material: NR / SBR, black</p>	<p>39.623J</p> <p>Rubber buffer, slightly conical Material: NR</p>	<p>39.620J</p> <p>Rubber buffer with washers Material: NR, black Hardness: SH 85</p>	<p>39.638</p> <p>Vehicle bumper Material: NR / SBR, black</p>
<p>39.181061</p> <p>Material: NR / SBR Weight: 1.050 g</p>	<p>39.181052</p> <p>Material: NR / SBR Weight: 1.370 g</p>	<p>39.627</p> <p>Material: SBR, black</p>	<p>39.181060</p> <p>Material: NR / SBR Weight: 1.370 g</p>
<p>39.360</p> <p>Material: NR / SBR, black</p>	<p>39.628</p> <p>Material: NR / SBR</p>	<p>39.646</p> <p>Material: NR / SBR, black Weight: 1.800 g</p>	<p>39.629</p> <p>Material: NR / SBR, black</p>

Gummibuffer / Rubber buffer

39.634	39.630	39.634P	39.647
 <p>Buffer with steel washers and steel casing. 3 holes for 16 mm bolt Material: EPDM black</p>	 <p>Material: NR / SBR, black</p>	 <p>Material: NR / SBR, black</p>	 <p>Material: NR / SBR, black</p>
39.650	39.631X	39.651A / 39.651	39.652
 <p>Material: NR / SBR, black</p>	 <p>Material: SBR, black Hardness: SH 75</p>	 <p>Material: NR / SBR 39.651: SBR + rayon</p>	 <p>Material: NR / SBR, black *</p>
39.653	39.644 / 39.644A *	39.631A	39.648
 <p>Material: NR / SBR, black</p>	 <p>Material: SBR + rayon 39.644A*: NR / SBR</p>	 <p>Material: NR / SBR</p>	 <p>Material: NR / SBR, black</p>
39.649	39.642X / 39.642 *	39.643X	39.M24
 <p>Material: NR / SBR, black</p>	 <p>Material: NR / SBR (Economy) 39.642*: SBR + rayon</p>	 <p>Material: NR / SBR (Economy)</p>	 <p>M24 washer for rubber buffer</p>

Gummibuffer / Rubber buffer

39.635X	39.635	39.636X	39.636
Buffer, vulcanized new rubber	Buffer, vulcanized new rubber	Buffer, vulcanized new rubber	Buffer, vulcanized new rubber

Anslagsbuffere / tipper pads

Material: Steel / rubber



Art.	Size steel element (mm)	Size rubber element (mm)	Weight (kg)
39.658	150 x 40 x 5	100 x 40 x 25	0,34
39.656	152 x 88 x 6	100 x 86 x 22	0,75
39.657	355 x 75 x 3	290 x 74 x 27	1,35

Anslagsbuffere / tipper pads





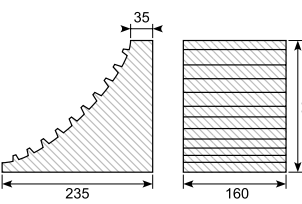

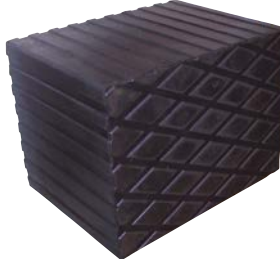




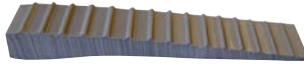
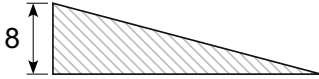

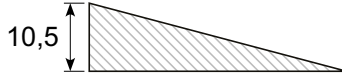

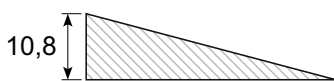

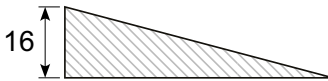

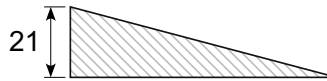

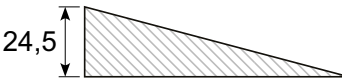
Material: Aluminium / rubber



Art.	Size aluminium element (mm)	Size rubber element (mm)	Weight (kg)
39.659 *	152 x 88 x 5	100 x 86 x 23	0,41
39.661 *	180 x 75 x 5	115 x 75 x 29	0,41
39.660 *	152 x 88 x 5	100 x 88 x 38	0,6
39.662 *	180 x 75 x 5	150 x 75 x 40	0,6
39.663 *	180 x 75 x 4	115 x 75 x 46	0,6
39.664 *	190 x 115 x 6	120 x 112 x 14 - 20	0,6
39.665	355 x 75 x 5	290 x 75 x 39	1,4

39.180	39.181 *	39.182	39.183
Rubber pad Ø120 for lift stabilizers Internal: Ø108 mm Height: 26 mm Material: SBR, black Hardness: SH 80	Rubber pad Ø120 for lift stabilizers Internal: Ø108 mm Height: 26 mm Material: SBR, black Hardness: SH 75	Rubber pad Ø145 for lift stabilizers Internal: Ø120 mm Height: 24 mm Material: SBR, black Hardness: SH 75	Rubber pad Ø145 for lift stabilizers Internal height: 26 mm Material: TPE, black Hardness: SH 80

Gummibuffer / Rubber buffer

<p>39.188 *</p>  <p>Rubber pad for lift stabilizers Material: SBR, black Hardness: SH 75 Size: Ø 160 x H 28 mm Internal: Ø 135 mm</p>	<p>39.183A *</p>  <p>Rubber pad for lift stabilizers Material: SBR, black Hardness: SH 80 Size: Ø 100 x H 21 mm Internal: Ø 80 mm</p>	<p>39.183B *</p>  <p>Rubber pad for lift stabilizers Material: SBR, black Hardness: SH 80 Size: Ø 140 x H 25 mm Internal: Ø 103 mm</p>	<p>39.183C *</p>  <p>Rubber pad for lift stabilizers Material: Black Hardness: SH 80 Size: Ø 140 x H 25 mm Internal: Ø 74 / 60 mm</p>
<p>52.CWC8 *</p>  <p>Chocks</p>	<p>39.184</p>  <p>Rubber pad for lift stabilizers Material: SBR, black Hardness: SH 75 Size: 160 x 120 x 20 mm</p>	<p>39.186</p>  <p>Rubber pad for lift stabilizers Material: SBR, black Hardness: SH 75 Size: 160 x 120 x 120 mm</p>	<p>39.187</p>  <p>Rubber pad for lift stabilizers Material: SBR, black Hardness: SH 75 Size: 180 x 60 x 100 mm</p>
<p>39.185</p>  <p>Rubber pad for lift stabilizers Material: SBR, black Hardness: SH 75 Size: 160 x 120 x 35 mm</p>	<p>30.13186-1</p>   <p>PVC profil for dørkarm PVC profile for door sill</p>	<p>30.13186-2</p>   <p>PVC profil for dørkarm PVC profile for door sill</p>	<p>30.13186-3</p>   <p>PVC profil for dørkarm PVC profile for door sill</p>
<p>30.13186-4</p>   <p>PVC profil for dørkarm PVC profile for door sill</p>	<p>30.13186-5 *</p>   <p>PVC profil for dørkarm PVC profile for door sill</p>	<p>30.13186-6 *</p>   <p>PVC profil for dørkarm PVC profile for door sill</p>	<p>30.13186-7 *</p>   <p>PVC profil for dørkarm PVC profile for door sill</p>

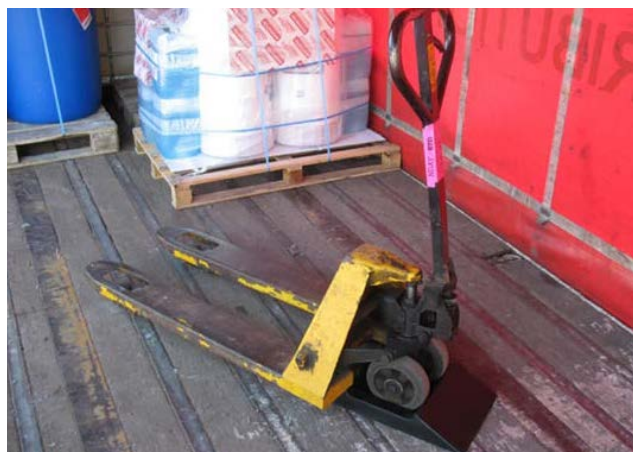
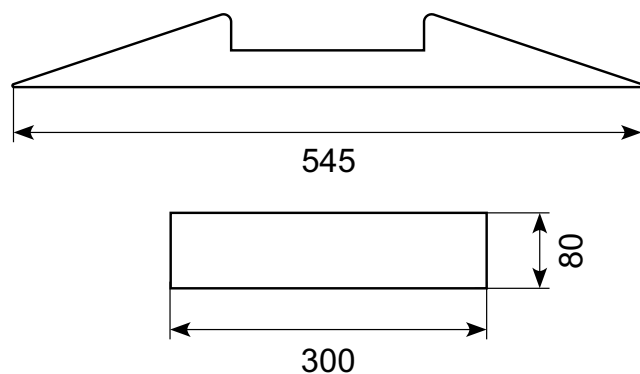
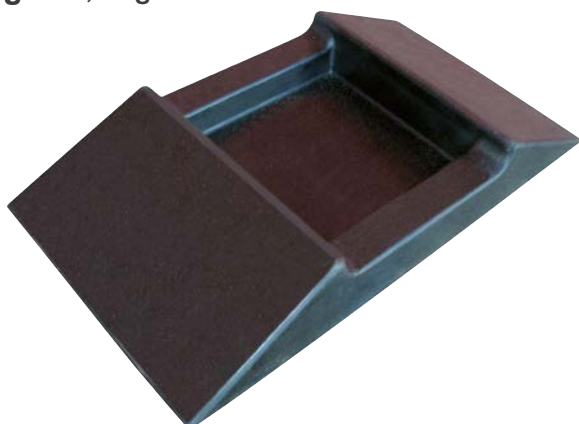
30.13186-8



PVC profil for dørkarm
PVC profile for door sill

39.645

Stopper for palleløfter
Stopper for pallet jack
Material: NBR / SBR
Weight: 5,8 kg



Vibrationsdæmpere

Vibration muffler

For ikke at sprede en maskines rystelser til gulvet og andre omgivelser, kan man med fordel montere maskinen på vibrationsdæmpere.

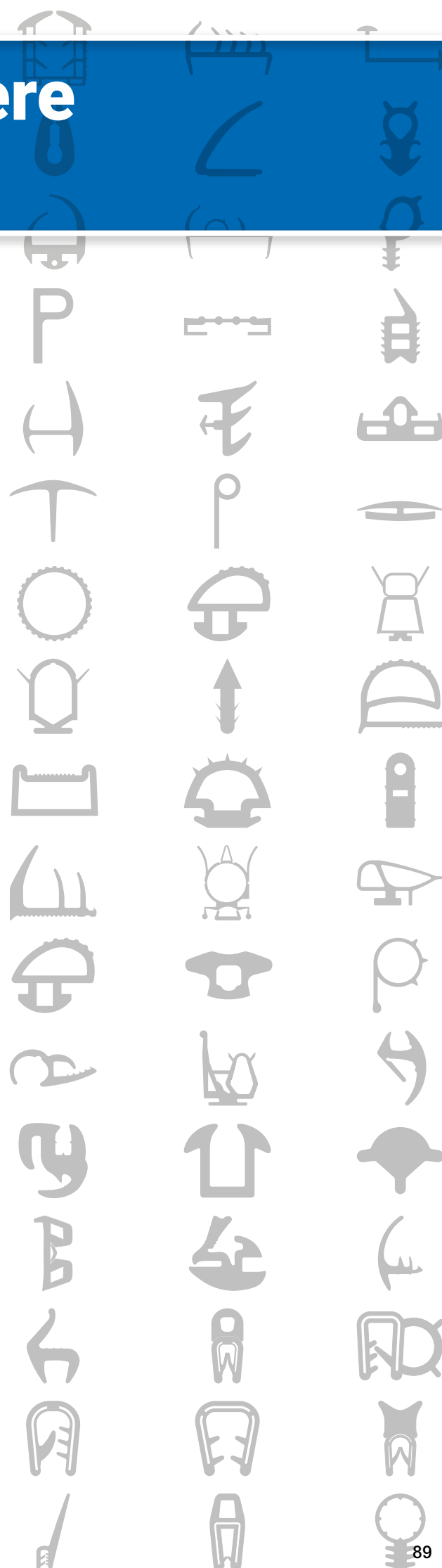
Om end du vil skåne en bygning, maskine eller mennesker for skader, stød, støj og belastninger, kan du finde de rette vibrationsdæmpere i vores udvalg.

Udover de viste har vi adgang til et stort udvalg af gummifødder og svingningsdæmpere i mange forskellige mål og med forskellige gevind.

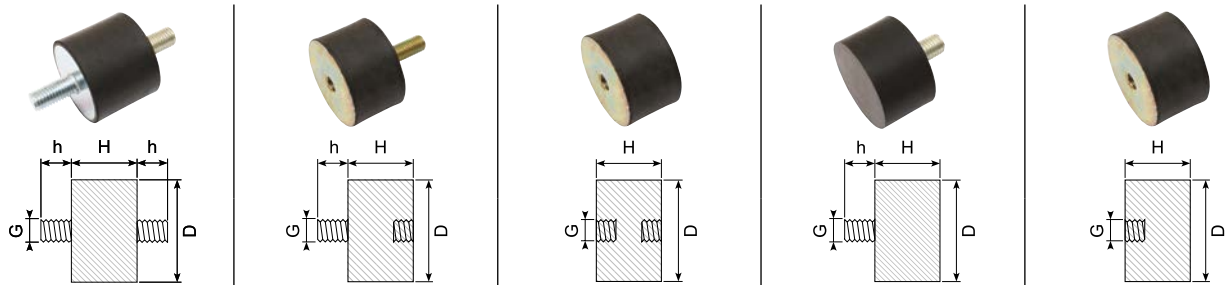
In order not to spread the vibrations of a machine to the floor and other environments, it is beneficial to mount the machine on vibration mufflers.

If you want to protect and shield a building, a machine or people from injuries, shocks, noises and loads, you will certainly find the right vibration muffler in our selection.

In addition to the vibration mufflers shown in this catalog, we have a wide selection of rubber feet and vibration dampers with many different sizes and threads.



Vibrationsdæmpere / Vibration muffler



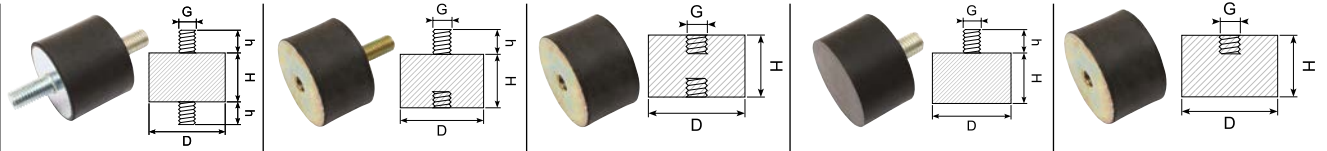
D	H	Type M (1)	Type B (2)	Type C (3)	Type D (4)	Type E (5)
6	7					
8	5					
8	8		39.B08/08-43			
8	10					
9	12					
10	8					
10	10				39.D10/10	
10	15					
10	17					
10	18					
10	30					
11	11					
12	10					
13	26					
15	4				39.D15/4G-M4x6	
15	5					
15	6					
15	7					
15	8					
15	9					
15	10		39.B15/10		39.D15/10 (M5x15) 39.D15/10-M6 (M6x18)	
15	12					
15	13					
15	15		39.B15/15 39.B15/15-M4x8		39.D15/15 (M5x15) 39.D15/15-M6 (M6x15)	
15	20					
15	25					
15	30					
16	18		39.B16/18			
18	10	39.M1810				
20	5					
20	8					
20	10	39.M20/10-M6 (M6x18) 39.M20/10 (M8x18)	39.B20/10-M6 (M6x18) 39.B20/10 (M8x18)	39.C20/10 (M4)	39.D20/10(M6)	39.E20/10-M6 (M6) 39.E20/10 (M8)
20	11					
20	12					
20	13					
20	15	39.M2015 39.M20/15-A4	39.B20/15 (M8x18) 39.B20/15-M6-43 39.B20/15-M6 39.B20/15-A4		39.D20/15E	
20	17					
20	20	39.M2020 39.M2020-M8 39.M2020-M6 (M6x15) 39.M2020-M6-45	39.B2020 39.B20/20-M6-43 39.B20/20-M6-55	39.C20/20 39.C20/20-A4	39.D20/20 (M5x15) 39.D20/20-M6 (M6x18) 39.D20/20-M6 (M6x15) 39.D20/20-M6-43	
20	23					
20	25					
20	30					
25	8					
25	10	39.M25/10-M8		39.C25/10 (M4)		39.E25/10-M6 (M6) 39.E25/10 (M8)
25	12					
25	13		39.B2513			
25	14					

G	h
M6	6, 8, 10, 12, 15, 18, 20, 23, 28
M8	8, 10, 12, 15, 18, 20, 23, 25, 28, 33

G	h
M10	10, 12, 15, 18, 20, 23, 25, 28, 33, 38, 43
M12	10, 12, 18, 20, 23, 25, 27, 33, 37, 42

Fåes i tre hårdheder: Shore 43, 55 og 68.
Også mulighed for rustfri gevind.
Available in three hardnesses: SH 43, 55 and 68.
Also option for stainless threads.

Vibrationsdæmpere / Vibration muffler



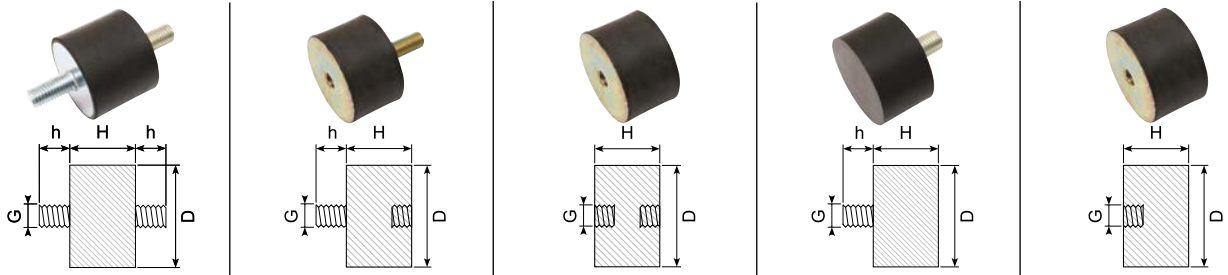
D	H	Type M (1)	Type B (2)	Type C (3)	Type D (4)	Type E (5)
25	15	39.M2515		39.C25/15	39.D25/15 39.D25/15-A2	
25	17					
25	18					
25	19					
25	20	39.M2520 39.M2520-M6				
25	22	39.M25/22				
25	25		39.B25/25 (M8x18) 39.B25/25-M6 (M6x18)	39.C25/25-M6		
25	27					
25	28					
25	30		39.B25/30			
26	22					
30	8				39.D30/8-M6x23 39.D30/8-M6x18	
30	10	39.M30/10 (M8x23)			39.D30/10 39.D30/10-M6x15 39.D30/10-M6 (M6x18) 39.D30/10-M6x28	39.E30/10-M6-43
30	12					
30	13					
30	15	39.M3015-M8x12 39.M3015-M8x15			39.D30/15 39.D30/15-M6 (M6x18) 39.D30/15-M8x23	39.E30/15-M6 (M6) 39.E30/15 (M8)
30	17					
30	18					
30	20	39.M3020 39.M3020-55 39.M30/20XX	39.B30/20 39.B30/20X 39.B30/20-M6x10-43 39.B30/20-M6x10-57 39.B30/20XX	39.C30/20 (M8)	39.D30/20 39.D30/20-M6 39.D30/20-M8x15	39.E30/20-M6 (M6) 39.E30/20 (M8)
30	22					
30	25					
30	30	39.M3030 39.M3030-SS	39.B30/30 39.B30/30-M6 39.B30/30-M6-M8x23	39.C30/30 39.C30/30-A4	39.D30/30 39.D30/30-M6 (M6x18)	39.E30/30-M6 (M6) 39.E30/30 (M8)
30	35					39.E30/35
30	40			39.C30/40		
30	45					
40	10					
40	15				39.D40/15 39.D40/15-M6 (M6x18)	39.E40/15-SH43
40	20	39.M40/20 (M8x23)	39.B40/20 (M8x23)		39.D40/20 (M8x18) 39.D40/20-M6 (M6x18) 39.D40/20-M10 (M10x20) 39.D40/20-A2	39.E40/20-M6 (M6) 39.E40/20 (M8)
40	25	39.M4025		39.C40/25 (M8)	39.D40/25-A2	
40	27					
40	28					
40	30	39.M4030	39.B40/30 (M8x23)	39.C40/30	39.D40/30-A2 39.D40/30 39.D40/30-M8 (M8x18)	39.E40/30 (M8)
40	35		39.B40/35 (M8x23)		39.D40/35-A2 39.D40/35 (M10x20)	
40	38	39.M4038 39.M40/38-M12				
40	40	39.M40/40 (M10x28)		39.C40/40 (M8) 39.C40/40-M10 (M10)	39.D40/40-A2 39.D40/40-M8x23-68 39.D40/40 (M10x20)	
40	45				39.D40/45-A2	
40	60					

G	h
M10	10, 12, 15, 18, 20, 23, 25, 28, 33, 38, 43
M12	10, 12, 18, 20, 23, 25, 27, 33, 37, 42

G	h
M6	6, 8, 10, 12, 15, 18, 20, 23, 28
M8	8, 10, 12, 15, 18, 20, 23, 25, 28, 33

Fåes i tre hårdheder: Shore 43, 55 og 68. Også mulighed for rustfri gevind. Available in three hardnesses: SH 43, 55 and 68. Also option for stainless threads.

Vibrationsdæmpere / Vibration muffler



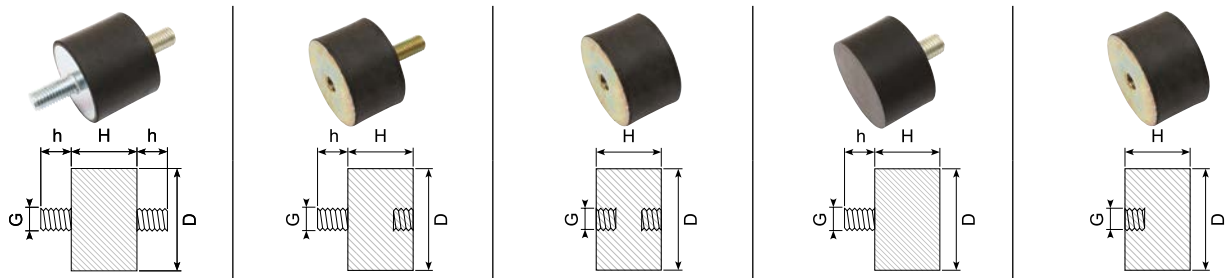
D	H	Type M (1)	Type B (2)	Type C (3)	Type D (4)	Type E (5)
50	7					
50	9					
50	12					
50	15					
50	17					
50	20	39.M50/20NBR	39.B50/20-M8	39.C50/20 (M10)	39.D50/20 39.D50/20-M12 (M12x23)	39.E50/20 (M8) 39.E50/20-M10 (M10) 39.E50/20-M12 (M12)
50	21		39.B50/21			
50	25	39.M5025		39.C50/25 (M10)	39.D50/25 (M10x20) 39.D50/25-M12 (M12x23)	39.E50/25 (M10) 39.E50/25-M12 (M12)
50	27					
50	28					
50	30	39.M5030 39.M50/30NBR	39.B50/30	39.C50/30 39.C50/30-M8 39.C50/30-68 39.C50/35	39.D50/30 39.D50/30-M10 (M10x20)	
50	35					
50	37					
50	40	39.M5040	39.B50/40-43	39.C50/40-M12 39.C50/40		39.E50/40 (M10) 39.E50/40-M12 (M12)
50	42					
50	45	39.M5045		39.C50/45		
50	50	39.M5050	39.B50/50 39.B50/50-M10 (M10x28)		39.D50/50	
50	80				39.D50/80	
60	15					
60	16					
60	20					
60	25					
60	30		39.B60/30 (M12x25)	39.C60/30-M8 (M8) 39.C60/30 (M10)	39.D60/30 (M10x28) 39.D60/30-M12 (M12x23)	39.E60/30 (M10) 39.E60/30-M12 (M12)
60	35	39.M6035				
60	40		39.B60/40	39.C60/40 39.C60/40-M10 SH 43 39.C60/40-M12 SH 43	39.D60/40 (M10x28) 39.D60/40M12 (M12x23)	39.E60/40 (M10) 39.E60/40-M12 (M12)
60	45		39.B60/45-A2			
60	50	39.M6050			39.D6050	
60	60					
65	35			39.C65/35 39.C65/35.M10 (M10)	39.D65/35	
70	20					
70	25					
70	30					
70	35					39.E70/35 (M12)
70	40				39.D70/40 (M10x28) 39.D70/40-M12 (M12x27)	
70	45					
70	50					39.E70/50 (M12)
70	53					
70	55					
70	60					
70	70				39.D70/70	

G	h
M6	6, 8, 10, 12, 15, 18, 20, 23, 28
M8	8, 10, 12, 15, 18, 20, 23, 25, 28, 33

G	h
M10	10, 12, 15, 18, 20, 23, 25, 28, 33, 38, 43
M12	10, 12, 18, 20, 23, 25, 27, 33, 37, 42

Fåes i tre hårdheder: Shore 43, 55 og 68.
Også mulighed for rustfri gevind.
Available in three hardnesses: SH 43, 55 and 68.
Also option for stainless threads.

Vibrationsdæmpere / Vibration muffler



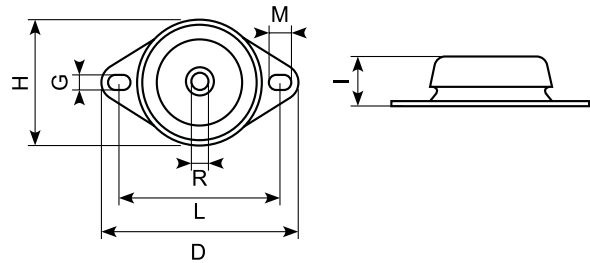
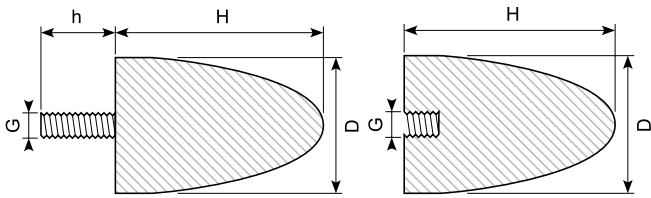
D	H	Type M (1)	Type B (2)	Type C (3)	Type D (4)	Type E (5)
75	20					
75	25					
75	30		39.B75/30 (M12x25)	39.C75/30 (M12) 39.C75/30-M10 (M10) 39.C75/30-M10-68	39.D75/30	39.E75/30 (M10) 39.E75/30-M12 (M12)
75	35					
75	40	39.M7540	39.B75/40-M10x18 39.B75/40 (M12x25) 39.B75/40-M12x40			
75	45			39.C70/45-M10		
75	50	39.M7550	39.B75/50 (M12x25)	39.C75/50-M12	39.D75/50-M10 (M10x28) 39.D75/50-M12	39.E75/50 (M10) 39.E75/50-M12 (M12)
75	55			39.C75/55 39.C75/55-43 39.C75/55-M10 (M10)		
75	60	39.M7560				
75	70					
75	100			39.C75/100 39.C75/100-M16		
80	17					
80	18					
80	30					
80	40					
80	50	39.M8050				39.E80/50 (M12) 39.E80/50-M16 (M16)
80	55					
80	60					
80	65					
80	70					
80	75					
80	80					
90	60					
100	25					39.E100/25 (M16)
100	30		39.B100/30 (M16x46)		39.D100/30 (M16x41)	39.E100/30 (M16)
100	35					
100	40		39.B100/40 (M16x46)	39.C100/40		39.E100/40 (M16) 39.E100/40NBR43 39.E100/40NBR68
100	45					
100	50		39.B100/50 (M16x46)	39.C100/50 (M16) 39.C100/55NBR68	39.D100/50 (M16x41)	39.E100/50 (M16) 39.E100/55NBR68
100	55					
100	60					
100	65					
100	70					
100	75		39.B100/75 SH 43	39.C100/75 (M16)	39.D100/75 (M16x41)	39.E100/75 (M16)
100	80					
100	100					
150	40			39.C150/40		
150	50			39.C150/50	39.D150/50 (M16x41)	39.E150/50 (M16) 39.E150/50-M20 (M20)
150	55					
150	60					
150	75			39.C150/75 (M16) 39.C150/75-M20		39.E150/75 (M16) 39.E150/75-M20 (M20)
200	100			39.C200/100 (M20)	39.D200/100 (M20x41)	39.E200/100 (M20)

G	h
M6	6, 8, 10, 12, 15, 18, 20, 23, 28
M8	8, 10, 12, 15, 18, 20, 23, 25, 28, 33

G	h
M10	10, 12, 15, 18, 20, 23, 25, 28, 33, 38, 43
M12	10, 12, 18, 20, 23, 25, 27, 33, 37, 42

Fåes i tre hårdheder: Shore 43, 55 og 68.
Også mulighed for rustfri gevind.
Available in three hardnesses: SH 43, 55 and 68.
Also option for stainless threads.

Vibrationsdæmpere / Vibration muffler

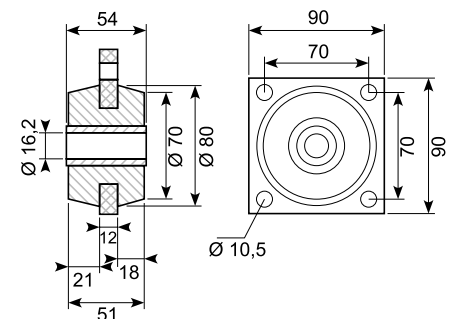


KP-D-no.	KP-E-no.	D/H	D	H	G	h
39.KP-D10/10	39.KP-E10/10	10/10	10	10	M5	12
39.KP-D15/22	39.KP-E15/22	15/22	15	22	M6	18
39.KP-D20/15	39.KP-E20/15	20/15	20	15	M6	10
39.AV2024	39.KP-E20/24	20/24	20	24	M6	18
39.KP-D25/16	39.KP-E25/16	25/16	25	16	M6	18
39.KD25/17		25/17	25	17	M6	8
39.KP-D25/20	39.KP-E25/20	25/20	25	20	M6	18
39.KP-D30/30	39.KP-E30/30	30/30	30	30	M8	20
39.KP-D30/36	39.KP-E30/36	30/36	30	36	M8	20
39.KP-D30/36-A2		30/36	30	36	M12	37
39.LP-D30/36-A4		30/36	30	36	M12	37
39.AV30		30/40	30	40	M8	23
	39.KP-E35/40	35/40	35	40	M8	23
39.KD50/18		50/18	50	18	M10	18
39.KP-D50/50	39.KP-E50/50	50/50	50	50	M10	28
39.KP-D50/58		50/58	50	58	M10	28
39.KP-D50/61	39.KP-E50/61	50/61	50	61	M8	28
39.KP-D50/67	39.KP-E50/67	50/67	50	67	M8	33
39.AV5068	39.KP-E50/68	50/68	50	68	M10	38
39.KP-D60/40	39.KP-E60/40	60/40	60	40	M10	28
39.KP-D70/58	39.KP-E70/58	70/58	70	58	M12	32
39.KP-D70/60	39.KP-E70/60	70/60	70	60	M12	37
39.KP-D75/89	39.KP-E75/89	75/89	75	89	M12	37
39.KP-D75/89-10	39.KP-E75/89	75/89	75	89	M10	37
	39.KP-E75/89-M10	75/89	75	89	M10	
39.AV9580	39.KP-E95/80	95/80	95	80	M16	41
39.KP-D115/136	39.KP-E115/136	115/136	115	136	M16	41
39.KP-D118/77	39.KP-E118/77	118/77	118	77	M16	41

Varenr.	I	H	G	M	R	L	D	Load KG
39.GMF67/34	34	67	11		Ø12	88	110	60
39.GMF75/34	34	75	12	16	Ø12	100	130	100
39.GMF100/42	42	100	12	16	M12/M14/M16	120	153	200-300
39.GMF108/46	46	108	14	18	M12/M14/M16	142	177	400-500
39.GMF122/50	50	122	14	20	M16	158	192	600-800
39.GMF150/54	54	150	14	18	M18/M20	183	218	1000-1200

39.103195

Material: NBR
Hardness: SH 55



Skaffevarer / Special order item

Hvis du ikke finder, hvad du søgte i vores katalog eller på vores webshop Kantlister.dk, kan vi sikkert alligevel skaffe netop de varer, du skal bruge. Kontakt os, og vi finder en løsning.

If you do not find what you searched for in our catalog or webshop Kantlister.dk, we can probably order the items you need. Contact us and we will find a solution.

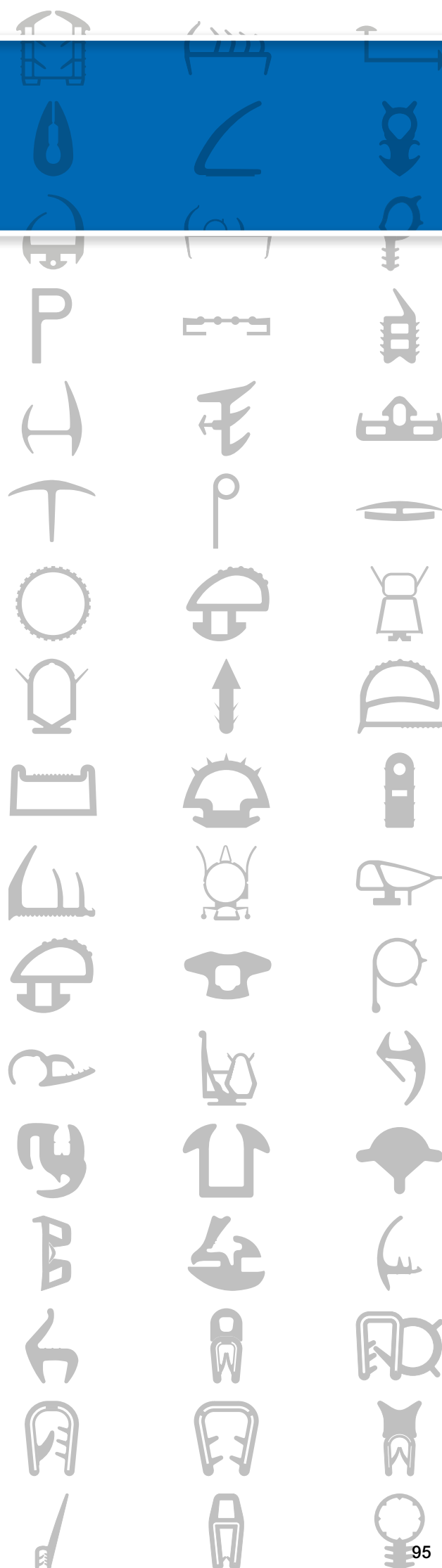


Fendere

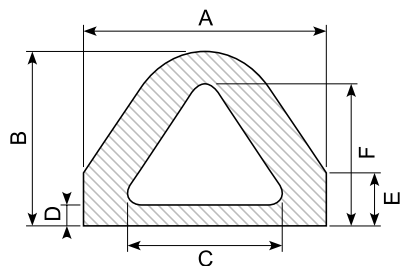
Fenders

Fendere er støddabsorberende gummiemner som ofte bruges til både, trucks, lastbiler og på havne. Fendere kan findes overalt i transport og logistikverdenen. Findes i EPDM og NR/SBR, men kan også fås i andre materialer.

Fenders are shock-absorbing rubber items commonly used for boats, in harbors, forklifts and trucks. Fenders can be found everywhere in the transport and logistics world. Available in EPDM and NR / SBR. However, we can also order them in other materials.



Fendere / Fenders

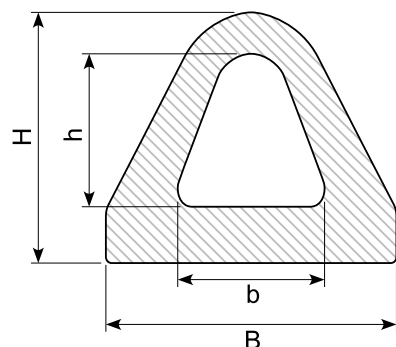


Fendere til f.eks. havne og læsseramper
Fenders for e.g. harbours and loading ramps

Material: EPDM, black

Hardness: SH 70

Art.	A	B	C	D	E	F	Kg/m
39.3872	40	25	28	5	10	20	0,57
39.3873 *	55	40	38	8	15	32	1,39
39.3875 *	60	50	40	10	20	42	1,75
39.4087 *	60	52	30	11	11	43	2
39.3876	80	65	50	12	25	39	3,2
39.3887 *	80	70	40	15	0	68	3,5
39.4333 *	80	70	54	15	16	59	4
39.2486 *	82	67	42	15	15	57	3,5
39.4156 *	109	117	50	42	50	95	10,5
39.3846 *	110	95	50	22	18	76	6,1
39.3874 *	110	95	70	15	30	80	5,79
39.4399 *	110	130	70	20	45	110	7,8
39.3010 *	120	110	70	14	35	95	7,39
39.3868 *	150	130	100	20	40	110	10,82
39.4178 *	150	160	105	50	60	130	16,3
39.3722 *	160	138	92	33	0	105	15,83
39.3240 *	170	130	110	15	45	110	10,5



Fendere til f.eks. varevogne, havne og læsseramper

Fenders for e.g. vans, harbours and loading ramps

Material: EPDM, black

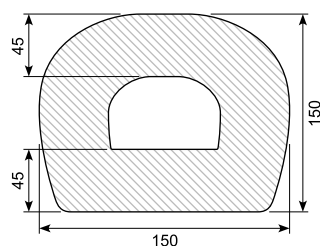
Hardness: SH 70

Art.	B	H	b	h	L	Kg/m	Min. order
39.674	40	22			20 m	0,715	
39.678	60	50	27	28	10 m	2,1	
39.678X *	50	60			20 m	2,1	
39.680X	84	70	46	41	20 m	3,7	
39.684X	110	95			10 m	7,076	
39.684XS * Soft - SH 45							Min. order: 40 m
39.685 *	120	120			3 m	11,204	

Material: White

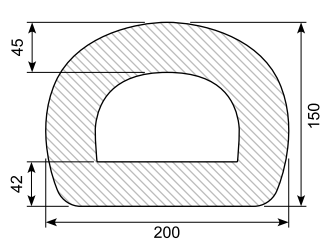
Art.	B	H	L	Min. order
39.680H *				Min. order: 100 m
39.680H-1180	84	70	1.180 mm	

39.4380X



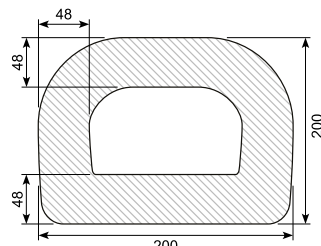
Material: NR / SBR
Length: 2 m

39.3803X



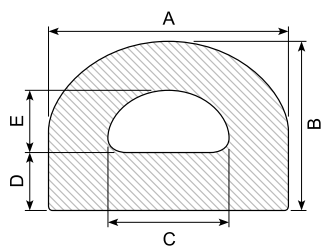
Material: NR / SBR
Length: 2 m

39.3904X



Material: NR / SBR
Length: 2 m

Fendere / Fenders



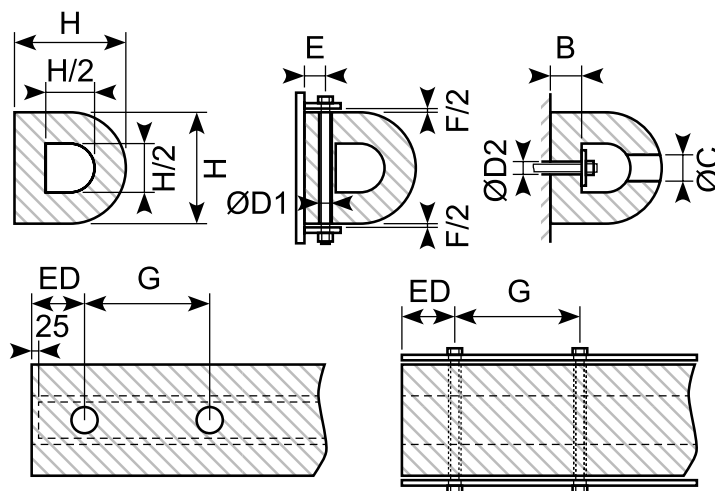
Fendere til f.eks. havne og læsseramper
Fenders for e.g. harbours and loading ramps

Material: EPDM, black

Hardness: SH 70

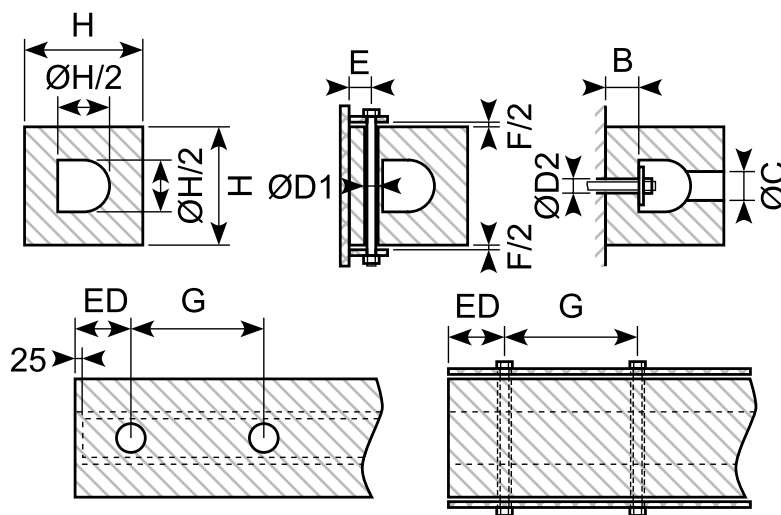
Art.	A	B	C	D	E	Kg/m	
39.3581	30	25	11	7,5	11	0,67	
39.36412	*	40	75	23	32	3,76	
39.2776	*	51	45	20	10	2,08	
39.3428	*	65	70	35	18	2,99	
39.3029	*	80	80	40	25	5,54	
39.3700	*	80	78	56	12	54	3,55
39.3925	*	80	80	40	23	40	5,59
39.4229	*	80	70	46	25	20	4,57
39.4110	*	95	100	38	30	45	5,4
39.3051	*	100	80	50	25	30	7,05
39.3802		100	80	80	12	56	3,68
39.3923	*	100	95	44	29	40	8,1
39.3952	*	100	95	60	20	50	6,99
39.4251	*	100	60	50	20	20	5,81
39.4403	*	100	95	60	28	42	6,27
39.4310	*	107	67	40	22	20	6,4
39.3726	*	110	110	50	30	25	12,14
39.3878	*	120	70	30	20	30	6,41
39.93	*	120	120	70	44	51	11,84
39.4381	*	125	100	65	33	37	10,87
39.69	*	130	150	50	50	50	21,05
39.4257	*	130	145	40	55	40	17,24
39.3813	*	140	125	85	35	55	14,75
39.3815	*	140	80	60	20	36	10,27
39.3381	*	150	150	85	30	85	18,81
39.4129	*	150	130	50	55	50	20
39.4224	*	150	150	92	29	92	14,7
39.4244	*	150	180	45	87	40	27,8
39.4380	*	150	150	80	40	75	18,22
39.3366	*	160	125	90	25	65	15,82
39.4311	*	160	175	68	79	68	17,1
39.57	*	200	165	40,5	80	40,5	31,44
39.3023	*	190	195	21	89	21	40,57
39.4012	*	190	195	55	89	55	37,7
39.3803	*	200	150	148	14	113	11,81
39.4249	*	200	220	75	82	75	42,39
39.4250	*	200	220	100	38	80	39,38
39.4269	*	200	220	75	82	75	36,85
39.3849	*	240	260	110	90	110	54,54
39.3879	*	250	290	120	60	110	48,96
39.56	*	250	200	136	50	100	39,84
39.4054	*	280	190	180	50	90	38,5
39.79	*	300	254	150	75	104	68,25
39.55	*	350	350	220	80	165	97,68

DD-fender



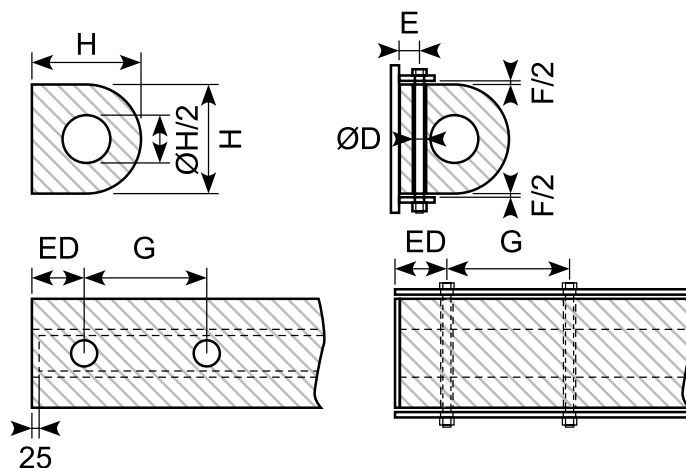
Art.	H (mm)	B (mm)	C (mm)	D1 (mm)	D2 (mm)	E (mm)	F (mm)	G (mm)	ED (mm)	Flat bar (mm)	Anchors	Weight (kg/m)
* 39.DD150150	100 x 100	25	30	18	24	25	10	200-300	90-130	40 x 5	M12	8,3
* 39.DD150150	150 x 150	37,5	40	24	32	30	12	250-350	110-150	50 x 8	M16	18
* 39.DD150150	200 x 200	50	50	30	40	45	15	300-400	130-180	70 x 8	M20	32
* 39.DD300300	250 x 250	62,5	60	36	48	50	20	350-450	140-200	90 x 12	M24	50
* 39.DD300300	300 x 300	75	60	36	48	60	25	350-450	140-200	100 x 12	M24	72
* 39.DD350350	350 x 350	87,5	75	45	60	70	25	350-450	140-200	130 x 15	M30	103,6
* 39.DD350350	380 x 380	95	75	45	60	80	30	350-450	140-200	140 x 15	M30	122,1
* 39.DD350350	400 x 400	100	75	45	60	80	30	350-450	140-200	150 x 15	M30	128
* 39.DD350350	500 x 500	125	90	54	72	90	40	400-500	160-230	180 x 20	M36	200

SD-fender



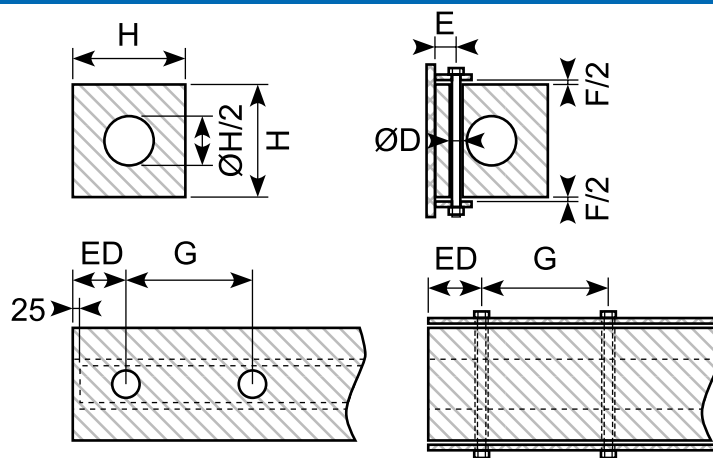
Art.	H (mm)	B (mm)	C (mm)	D1 (mm)	D2 (mm)	E (mm)	F (mm)	G (mm)	ED (mm)	Flat bar (mm)	Anchors	Weight (kg/m)
* 39.SD300250	100 x 100	25	30	18	24	25	10	200-300	90-130	40 x 5	M12	9,5
* 39.SD300250	150 x 150	37,5	40	24	32	30	12	250-350	110-150	50 x 8	M16	22,1
* 39.SD300250	200 x 200	50	50	30	40	45	15	300-400	130-180	70 x 10	M20	38,7
* 39.SD300250	300 x 250	62,5	60	36	48	50	20	350-450	140-200	90 x 12	M24	59,3
* 39.SD300300	300 x 300	75	60	36	48	60	25	350-450	140-200	100 x 12	M24	85
* 39.SD300300	350 x 350	87,5	75	45	60	70	25	350-450	140-200	130 x 15	M30	116
* 39.SD300300	400 x 400	100	75	45	60	80	30	350-450	140-200	150 x 15	M30	148,5
* 39.SD300300	500 x 500	125	90	54	72	90	40	400-500	160-230	180 x 20	M36	232,1

DC-fender



Art.	H (mm)	D (mm)	E (mm)	F (mm)	G (mm)	ED (mm)	Anchors	Weight (kg/m)
*	100 x 100	18	25	10	200-300	90-130	M12	9,9
*	150 x 150	24	30	12	250-350	110-150	M16	20
*	200 x 200	30	45	15	300-400	130-180	M20	37,4
*	250 x 250	36	50	20	350-450	140-200	M24	57,2
39.DC300300 *	300 x 300	36	60	25	350-450	140-200	M24	81,3
*	350 x 350	45	70	25	350-450	140-200	M30	109,5
*	400 x 400	45	80	30	350-450	140-200	M30	142
*	500 x 500	54	90	40	400-500	150-230	M36	208

SC-fender



Art.	H (mm)	D (mm)	E (mm)	F (mm)	G (mm)	ED (mm)	Anchors	Weight (kg/m)
*	100 x 100	18	25	10	200-300	90-130	M12	11,1
*	150 x 150	24	30	12	250-350	110-150	M16	22,9
*	200 x 200	30	45	15	300-400	130-180	M20	42,6
*	250 x 250	36	50	20	350-450	140-200	M24	65,3
39.SC300300 *	300 x 300	36	60	25	350-450	140-200	M24	92,9
*	350 x 350	45	70	25	350-450	140-200	M30	117,6
*	400 x 400	45	80	30	350-450	140-200	M30	153,6
*	500 x 500	54	90	40	400-500	150-230	M36	240,1

Fendere / Fenders

39.BUMPER-CAR



Hjulstop/fender uden huller og montageplade til personbiler eller varevogne.

Wheel stop / fender without holes and mounting plate for cars or vans.

Size: 150 x 130 x 1.200 mm

39.BUMPER-CAR2



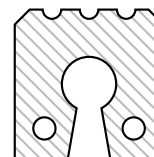
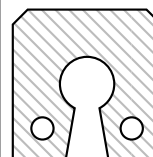
Hjulstop med 3 huller til M12 montage til personbiler eller varevogne.

Wheelstop with 3 holes for M12 mounting for cars or vans.

Size: 160 x 100 x 1.650 mm

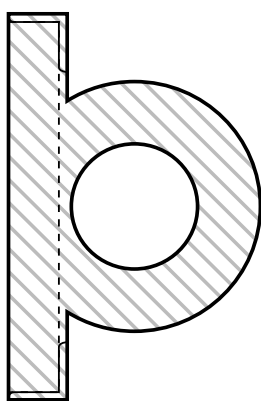
Keyhole fender

*



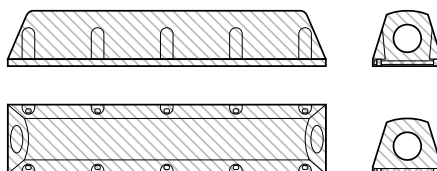
Wing-type-fender

*

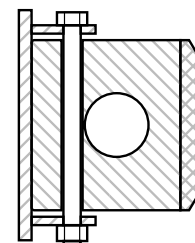
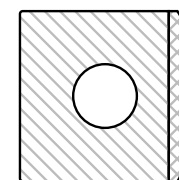


MC-fender

*



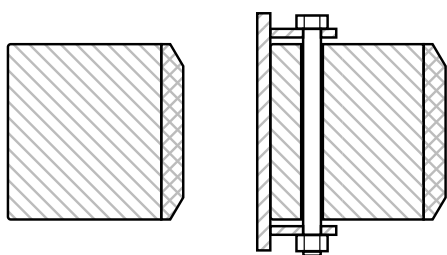
KF-A-fender



Composite front

KF-B-fender

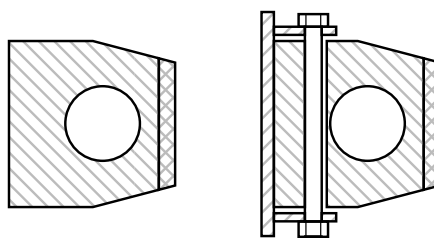
*



Composite front

KF-C-fender

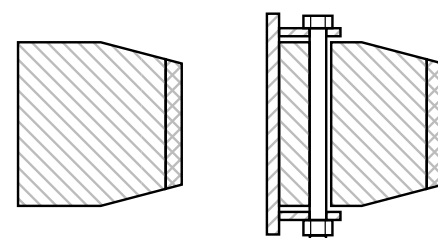
*



Composite front

KF-D-fender

*



Composite front

Børste- og flocklister

Brush sections

Børstelister findes i forbindelse med porte og døre i industrien, hvor det gælder om at holde skidt, snavs og træk både ude og/eller inde.

Børsterne er som regel lavet af nylon, men kan også leveres med PP, hestehår eller rustfri tråd.

Børsterne og skinnerne kan købes separat.

Børstelisterne leveres i længder á 3 meter.

Brush sections are found in connection with gates and doors in industry, where it is important to keep dirt and drafts either in or out.

The brushes are usually made of nylon, but can be delivered with PP, horse hairs or stainless steel wire.

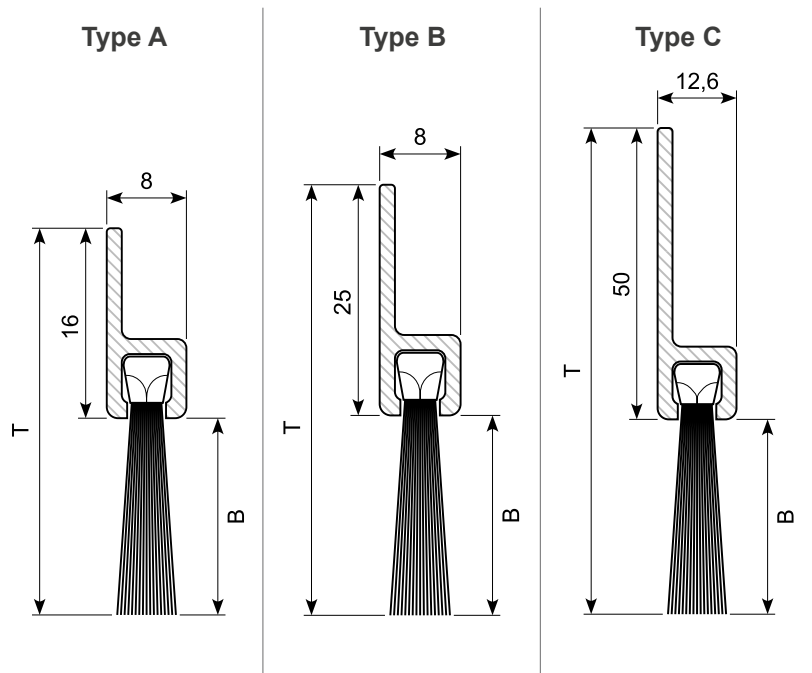
Brushes and rails can be purchased separately.

Brush sections are supplied in length of 3 meters.

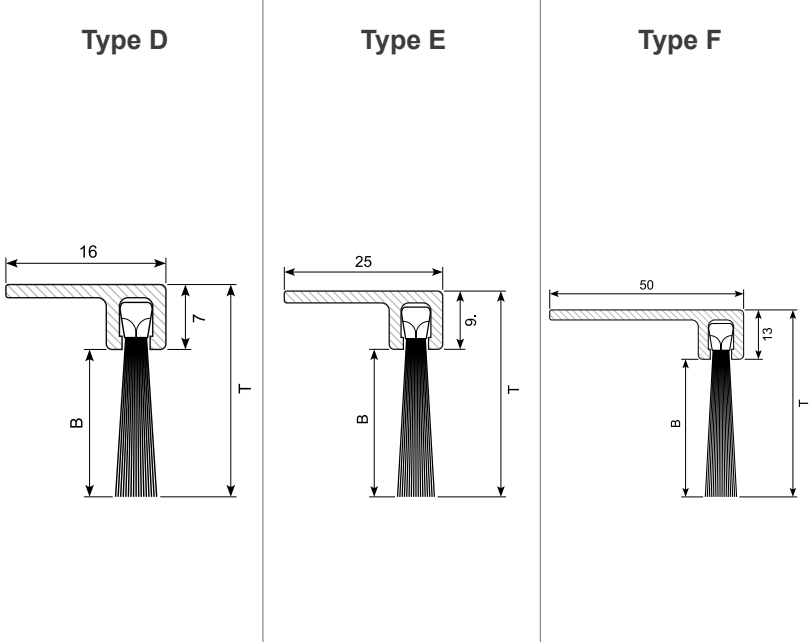


Børste- og flocklister / Brush sections

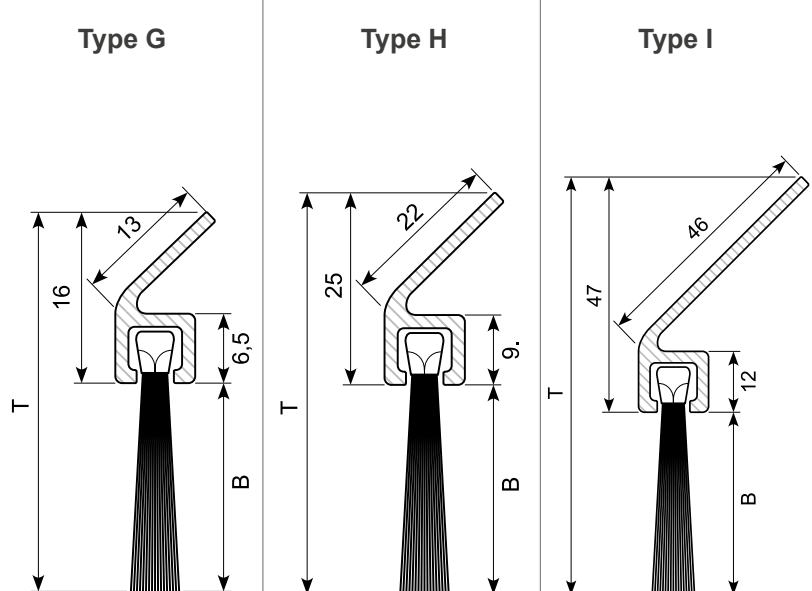
Art.	Type Tegning Drawing	B (mm) Børstelængde Brush length	T (mm) Totalhøjde Total height
57.400/3E *	A	10	26
57.401/3E	A	14	30
57.402/3E *	A	24	40
57.408/3E *	A	34	50
57.403/3E	B	25	50
57.410/3E	B	35	60
57.405/3E *	B	45	70
57.404/3E	C	40	90
57.406/3E	C	60	110
57.411/3E *	C	80	130
57.407/3E *	C	100	150
57.412/3E *	C	120	170
57.413/3E *	C	150	200



Art.	Type Tegning Drawing	B (mm) Børstelængde Brush length	T (mm) Total længde Total length
57.440/3E *	D	10	17
57.441/3E *	D	14	21
57.442/3E *	D	24	31
57.445/3E *	D	34	41
57.443/3E	E	25	34
57.449/3E *	E	35	44
57.444/3E *	E	45	54
57.450/3E	F	40	53
57.446/3E *	F	60	73
57.448/3E	F	80	93
57.447/3E *	F	100	113
57.451/3E	F	120	133
57.452/3E	F	150	163

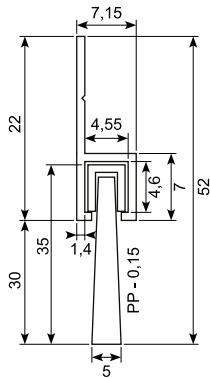


Art.	Type Tegning Drawing	B (mm) Børstelængde Brush length	T (mm) Total længde Total length
57.453/3E	G	10	26
57.454/3E	G	14	30
57.455/3E	G	24	40
57.456/3E	G	34	50
57.423/3E	H	25	50
57.424/3E	H	35	60
57.425/3E *	H	45	70
57.426/3E	I	40	87
57.427/3E	I	60	107
57.428/3E	I	80	127
57.429/3E	I	100	147
57.430/3E	I	120	167
57.431/3E	I	150	197



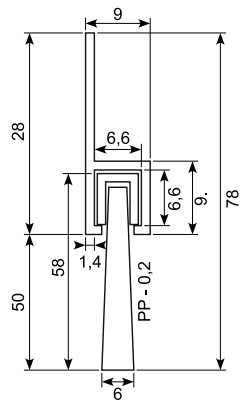
Børste- og flocklister / Brush sections

57.403/2.5J



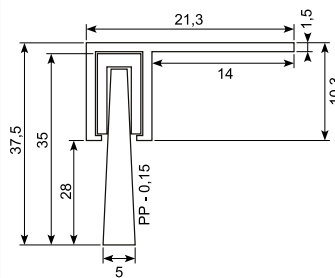
Material: Aluminium with polypropylene brush
Length: 2,5 m

57.405/2J



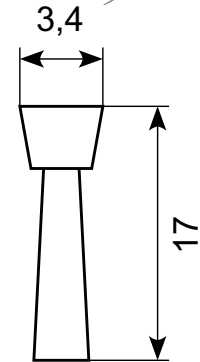
Material: Aluminium with polypropylene brush
Length: 2 m

57.443/2JP



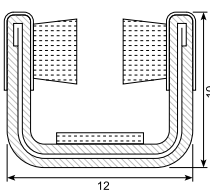
Material: Plastic with polypropylene brush
Length: 2 m

57.401/3BX



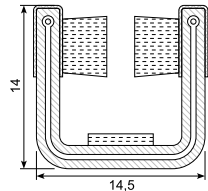
Multistrip børste. 0,2 pp hår. Uden montageskinne.
Multistrip brush. 0,2 pp hair. Without mounting rail.
Length: 3 m

33.621



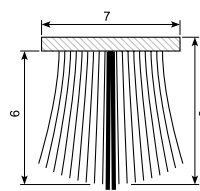
Rubber / fabric / brush
4 - 5 mm glass
Steel

33.623



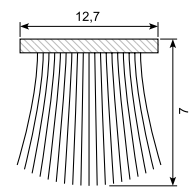
Rubber / fabric / brush
4 - 6 mm glass
Steel

33.611



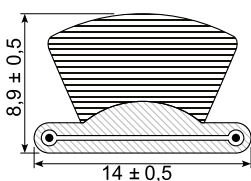
Self-adhesive list with brushes and waterproof center film
Min. order: 11.000 m

33.615



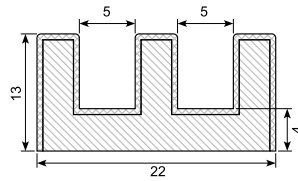
Self-adhesive list with brushes

33.613



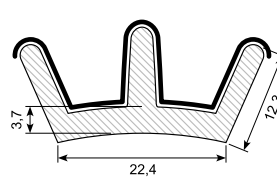
Tætningsliste
Sealing trim

33.670



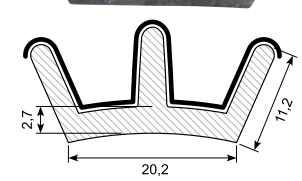
Flocked channel molding

33.671



Material: EPDM
Density: 1,28
Hardness: SH 70
Flock: 3,3 dtex
Min. order: 2.000 m

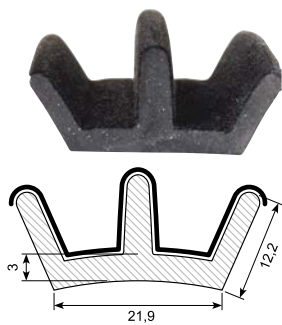
33.672



Material: EPDM
Density: 1,28
Hardness: SH 70
Flock: 3,3 dtex
Min. order: 2.000 m

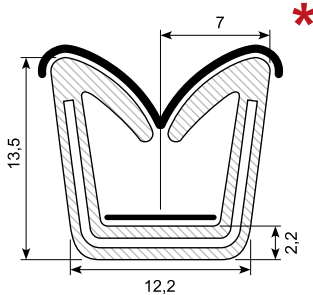
Børste- og flocklister / Brush sections

33.673



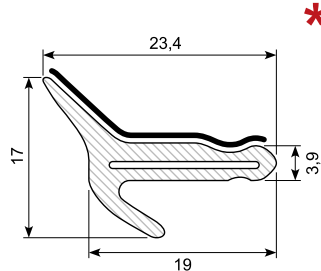
Material: EPDM
Density: 1,28
Hardness: SH 70
Flock: 3,3 dtex
Min. order: 2.000 m

33.674



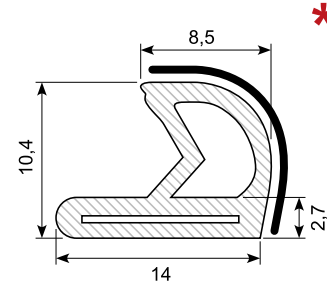
Material: EPDM
Density: 1,28
Hardness: SH 70
Flock: 3,3 dtex
Min. order: 3.000 m

33.675



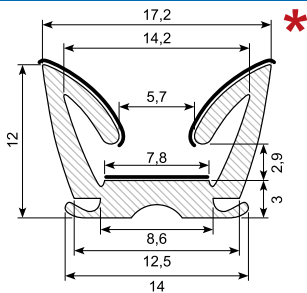
Material: EPDM
Density: 1,28
Hardness: SH 70
Flock: 3,3 dtex
Min. order: 3.000 m

33.676



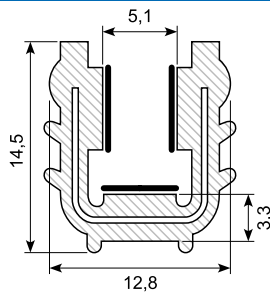
Material: EPDM
Density: 1,28
Hardness: SH 70
Flock: 3,3 dtex
Min. order: 3.000 m

30.13066



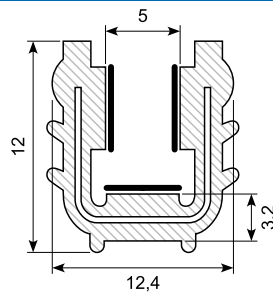
Material: EPDM
Density: 1,28
Hardness: SH 70
Flock: 3,3 dtex
Glass width: 5 mm
Min. order: 3.000 m

33.624



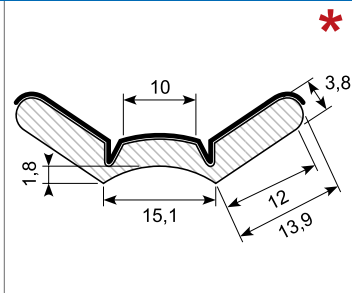
Material: EPDM
Density: 1,28
Hardness: SH 70
Flock: 3,3 dtex
Min. order: 3.000 m

33.625



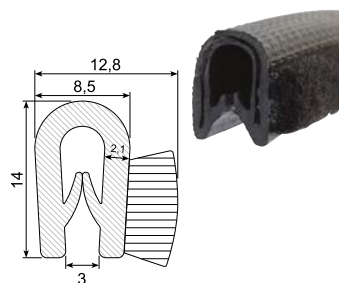
Material: EPDM
Density: 1,28
Hardness: SH 70
Flock: 3,3 dtex
Min. order: 3.000 m

30.14803



Material: EPDM
Density: 1,28
Hardness: SH 70
Flock: 3,3 dtex
Min. order: 3.000 m

33.416



Edge trim: PVC, with brush
Grip range: 1 - 2,5 mm
Hardness: SH 78
Insert: 25 x 0,48 mm steel

Lydisolering

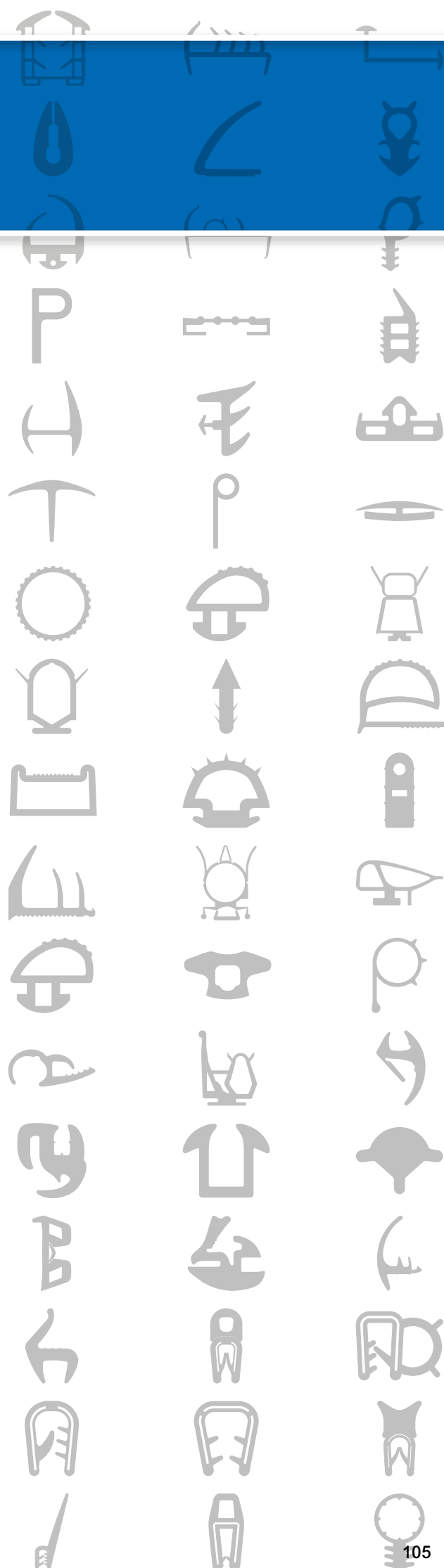
Sound proofing

Lyddæmpende og lydisolerende plader sættes op for at dæmpe uønsket lyd og adskille støjkilden fra det omliggende område. De anvendes ofte i motorrum, førerkabiner, kompressorer og meget mere.

Vi har dem i mange forskellige materialer, så du altid kan finde noget lyddæmpning, der dækker dine behov.

Sound absorbing panels are set up to muffle unwanted sound and to separate source of noise from the environment. Often used in engine rooms, cabins and compressors and far more places.

We offer sound proofing in many different materials, so you can always find something that suits your requirements.



Lydisolering / Soundproofing

Selvklebende skum med Tedlarbelægning

Benyttes, alt afhængig af folieafdækning, i førerkabiner, motorrum, kompressorer, generatorer, ventilatorer, turbiner, pumper og lignende.

Self-adhesive foam with Tedlar coat

Depending on the foil covers this is used in cabs, engine compartment, compressors, generators, fans, turbines, pumps or the like.

Art.	Farve / Color	Overflade / Surface	Dimension (mm)
48.603	Hvid / White	Plan 100% Plane 100%	20 x 1.200 x 1.500
48.604	Hvid / White	Plan 100% Plane 100%	30 x 1.200 x 1.500



Selvklebende skum med Bitumenindlæg

Self-adhesive foam with Bitumen inserts

Art.	Farve / Color	Overflade / Surface	Dimension (mm)
48.613K	Hvid / White	Plan 100% Plane 100%	33 x 600 x 1.000

Selvklebende skum med gummioverflade

Self-adhesive foam with rubber surface

Art.	Farve / Color	Overflade / Surface	Dimension (mm)
48.626	Sort / Black	Plan 100% Plane 100%	2 / 10 x 1.200 x 1.500

Lydisoleringsmaterialer er typisk lavet af åbencellede, fleksible skummateriale i tungere densiteter. Den forøgede densitet er opnået ved at anvende regenereret skum.

Anvendelsesområdet kan typisk være lydisolering af motorrum i lystbåde, vindmøllehuse, kompressorer og andre støjende maskiner, hvor det er muligt at adskille støjilden fra det omliggende område.

Da der ofte skal etableres et kølende luftskifte i disse situationer, laver man en lydsluse beklædt med lydabsorptionsmateriale.

Granulat koldskum med enestående lydæmpningsevne benyttes til beklædning af motorrum, maskinafskærmninger, ventilationskamre og støjcabiner. Grundet den lave densitet kan den også med fordel anvendes som absorbent.

Soundproofing materials are typically made of open-celled, flexible foam materials in heavier densities. The increased density is achieved by using regenerated foam.

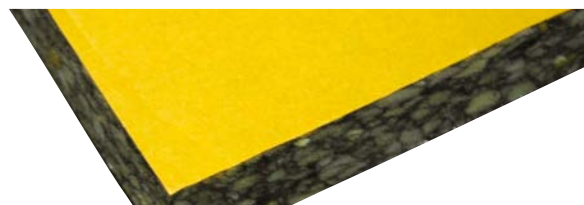
The field of application can typically be soundproofing of the engine compartment in yachting, wind turbine housings, compressors and other noisy machines where it is possible to separate the noise source from the surrounding area.

It is often necessary to assure a cooling air circulation in these situations. Therefore it is recommended to make a sound lock covered with soundproofing material.

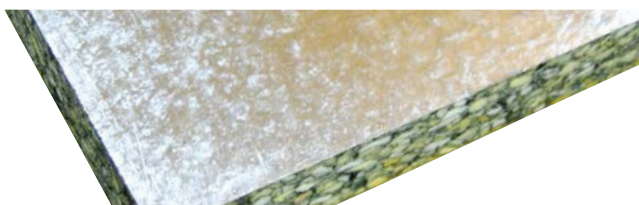
Granulate cold foam with unique soundproofing ability is used for coating of engine compartment, machine guards, ventilation chambers and noise cabins. Due to the low density it may also be used as absorbent.



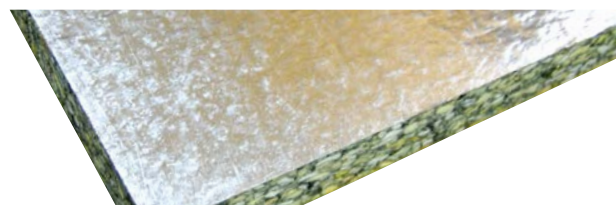
Art.	Overflade / Surface	Dimension (mm)
48.634	Ingen / None	20 x 500 x 1.000
48.635	Ingen / None	30 x 500 x 1.000
48.636	Ingen / None	40 x 500 x 1.000



Art.	Overflade / Surface	Dimension (mm)
48.634K	Klæb / Glue	20 x 500 x 1.000
48.635K	Klæb / Glue	30 x 500 x 1.000
48.636K	Klæb / Glue	40 x 500 x 1.000



Art.	Overflade / Surface	Dimension (mm)
48.634F	Folie / Foil	20 x 500 x 1.000
48.635F	Folie / Foil	30 x 500 x 1.000
48.636F	Folie / Foil	40 x 500 x 1.000
48.636FX	Folie / Foil	40 x 1.000 x 2.000



Art.	Overflade / Surface	Dimension (mm)
48.634KF	Folie og klæb / Foil and glue	20 x 500 x 1.000
48.635KF	Folie og klæb / Foil and glue	30 x 500 x 1.000
48.636KF	Folie og klæb / Foil and glue	40 x 500 x 1.000

Lydisolering / Soundproofing

Lydabsorptionsmaterialer (PU) er typisk lavet af åbencellede, fleksible skummaterialer i lettere densiteter.

Anvendelsesområdet vil typisk være indvendig beklædning af førerkabiner, støjskærme, lydsluger, kanalvægge og ligende situationer, hvor det ikke er muligt at adskille støjkilden fra det omkringliggende område.

Soundproofing materials (PU) are typically made of open-celled, flexible foam materials in lighter densities.

The field of application will typically be interior sheathing of cabs, noise barriers, sound locks, canal walls and similar situations where it is not possible to separate the noise source from the surrounding area.

Selvklæbende skum uden folie

Anvendes til indvendig beklædning af motorrum, maskinafskærmninger, støjkabiner, el-styretavler, paneler, indlæg i emballage m.m.

Self-adhesive foam without foil

This is used for interior sheathing of engine compartment, machine guards, noise cabins, electrical control panels, panels and inserts in packaging with more.



Art.	Overflade / Surface	Dimension (mm)
48.621	Plan / Plane	10 x 1.200 x 1.500
48.622	Plan / Plane	20 x 1.200 x 1.500
48.622X	Plan / Plane	30 x 1.200 x 1.500

Selvklæbende skum med PVC-folie

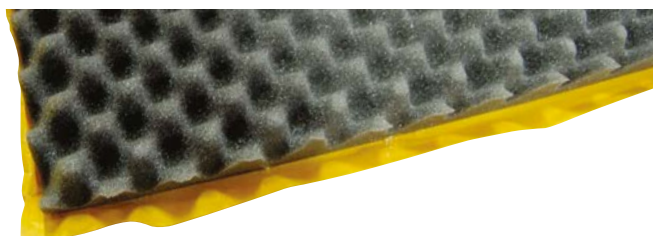
Benyttes, alt afhængig af folieafdækning, til beklædning i førerkabiner, motorrum, kompressorer, generatorer, ventilatorer, turbiner, pumper og lignende.

Self-adhesive foam with PVC foil

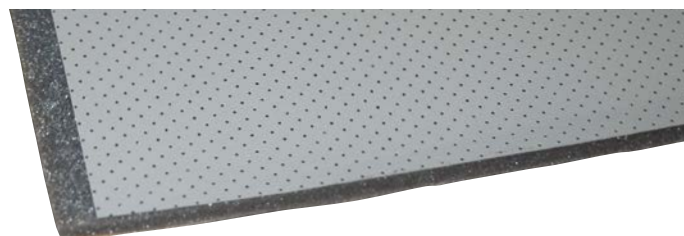
Depending on the foil covers this is used for sheathing in cabs, engine compartment, compressors, generators, fans, turbines, pumps or the like.



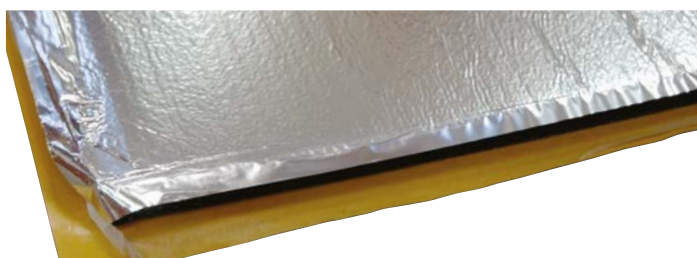
Art.	Farve / Color	Overflade / Surface	Dimension (mm)
48.605X	Sort / Black	2% perforated	10 x 1.200 x 1.500
48.605	Sort / Black	2% perforated	20 x 1.200 x 1.500
48.605Y	Sort / Black	2% perforated	30 x 1.200 x 1.500



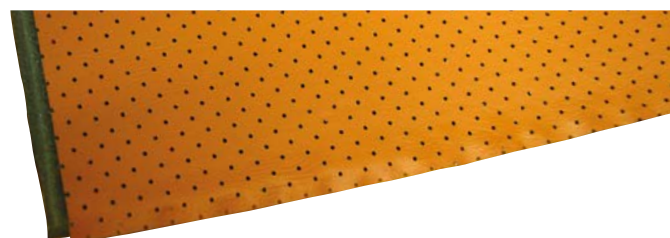
Art.	Overflade / Surface	Dimension (mm)
48.623	Æggebakke / Egg tray	30 / 15 x 1200 x 1500
48.624	Æggebakke / Egg tray	40 / 20 x 1200 x 1500
48.623X	Æggebakke / Egg tray	30 / 15 x 1.200 x 2.000



Art.	Farve / Color	Overflade / Surface	Dimension (mm)
48.451	Grå / Grey	2 % perf. / pap 2 % perf. / cardcoard	10 x 1.000 x 1.500
48.452	Grå / Grey	2 % perf. / pap 2 % perf. / cardcoard	20 x 1.000 x 1.500



Art.	Color	Surface	Dimension (mm)
48.608	Alu.	Plane 100%	20 x 1.200 x 1.500
48.609	Alu.	Plane 100%	30 x 1.200 x 1.500



Art.	Color	Surface	Dimension (mm)
48.605B *	Brown	2 % perforated	20 x 1.200 x 1.500

Min. order: 10 pcs.

Lydisolering / Soundproofing

Lyddæmpningsmaterialer er typisk lavet af hårdt og tungt materiale.

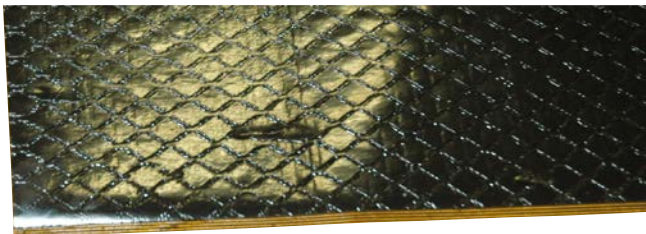
Anvendelsesmulighederne kan typisk være dæmpning af store pladearealer, bundplader i biler/maskiner, dørsider og andre steder, hvor der kan opstå resonans.

Soundproofing materials are typically made of hard and heavy material.

The field of application can typically be damping of large plate areas, bottom plates in cars / machinery, doors and other places where there may be resonance.

Bitumenplader baserer på kunststofmateriale

Bitumen plates are based on synthetic material



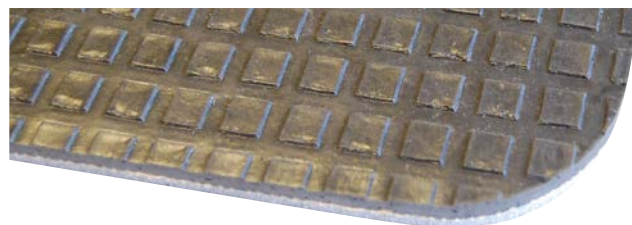
Art.	Surface	Pack	Dimension (mm)
48.544A	Adhesive	4 pk.	500 x 500 x 3
48.542	Adhesive	6 pk.	500 x 250



Art.	Surface	Pack	Thickness (mm)	Dimension (mm)
48.442	Adhesive	1 pc	1,7	500 x 1.050



Art.	Surface	Pack	Thickness (mm)	Dimension (mm)
48.612	Adhesive	1 pc	3	750 x 1.200



Art.	Thickness (mm)	Dimension (mm)
48.618	10	1.250 x 1.500

Tilbehør / Accessories

68.4250



Alutape til samling af motorisolering. 50 mm x 10 m.

Alu tape for the assembly of motor insulation. 50 mm x 10 m.

63.550300



Plastskive Ø50 mm til montering af motorisolering.

Plastic disc with 50 mm diameter for mounting of motor insulation.

Kina-gummiplader

Rubber sheets from China

Gummiplader produceret i Kina er prisgunstige alternativer til gummiplader produceret i Europa. De er ikke en erstatning for den europæiske kvalitet. Pladerne er et godt alternativ til mange af de gængse opgaver. De kan bruges til blandt andet: køretøjer, dyretransport, værkstedsgulve og meget mere.

Anbefales ikke til høj kvalitetspakninger med store krav til tolerancer og mekanisk styrke.

Sammenlign evt. de tekniske beskrivelser.

Pladerne har større tykkelsestolerancer end de europæiske.

Hele ruller leveres i plastfolie. Mange andre kvaliteter kan skaffes i større mængder.

Rubber sheets from China are excellent alternatives to European sheets at very favorable prices. Should not be understood as a substitute for European qualities. The sheets are good alternatives for most common tasks. They can be used for: vehicles, animal transport, workshop floors and much more.

Cannot be recommended for high-quality seals with high demands on tolerances and mechanical strength. In case of doubt please compare the technical descriptions. The sheets have higher tolerances on thickness than the European ones.

The rubber sheets are delivered on rolls wrapped in plastic. Many other qualities are available if large quantities are required.



Kina-gummiplader / Rubber sheets from China



Gummimåtter

Sort prisgunstig gummiplade til almen brug, hvor der ikke stilles større krav til trækstyrke. Bruges til pakninger, mellemlæg m.m.

Art.	Thickness (mm)	Width (mm)	Length (mm)	Insertion
38.400-2	2	1.400	20.000	1
38.400-3	3	1.400	20.000	1
38.400-4	4	1.400	20.000	1
38.400-5	5	1.400	10.000	1
38.400-6/650	6	650	10.000	2
38.400-6	6	1.400	10.000	2
38.400-8	8	1.400	10.000	2
38.400-10	10	1.400	10.000	2
38.400-12	12	1.400	10.000	2
38.400-15	15	1.400	5.000	0
38.400-20	20	1.400	5.000	0
38.400-25	25	1.400	5.000	0

Rubber sheets

Black commercial rubber mat for normal use, where there are no specific demands on tensile strength. Useful for seals.

Data	
Gummi / Rubber	NR / SBR
Farve / Color	Black
Kvalitet / Quality	Commercial
Hårdhed / Hardness - Shore A	70
Densitet / Gravity - g/cm ³	1,55
Forlængelse / Elongation - %	200
Arbejdstemperatur / Working temperature - °C	-20 +70
Trækstyrke / Tensile strength - N/mm ²	4

Blød paragummi / naturgummi

Meget blød, meget elastisk, stor friktion.

Art.	Thickness (mm)	Width (mm)	Length (mm)	Insertion
38.401-2	2	1.400	10.000	0
38.401-3	3	1.400	10.000	0
38.401-4	4	1.400	10.000	0
38.401-5	5	1.400	10.000	0
38.401-6	6	1.400	10.000	0
38.401-10	10	1.400	10.000	0
38.401-15	15	14.000	5.000	0
38.401-20	20	14.000	5.000	0

Soft para rubber

Very soft. Highly elastic, good friction.

Data	
Gummi / Rubber	Natur
Farve / Color	Rød / Red
Kvalitet / Quality	Commercial
Hårdhed / Hardness - Shore A	40
Densitet / Gravity - g/cm ³	1,25
Forlængelse / Elongation - %	550
Arbejdstemperatur / Working temperature - °C	-20 +90
Trækstyrke / Tensile strength - N/mm ²	18

Kina-gummiplader / Rubber sheets from China

EPDM Gummi, sort

Meget god ozon- og vejrbestandighed.
God temperaturlbestandighed.

Art.	Thickness (mm)	Width (mm)	Length (mm)	Insertion
38.402-0,5	0,5	1.200	10.000	0
38.402-1X	1	1.400	20.000	0
38.402-2X	2	1.400	10.000	0
38.402-3X	3	1.400	10.000	0
38.402-4X	4	1.400	10.000	0
38.402-5X	5	1.400	10.000	0
38.402-8X	8	1.400	5.000	0

CR / Chloroprene, sort

God vejr/vind- og ozonbestandighed. Egnede hvor der ikke stilles krav til træk/rivstyrke. Betinget oliebestandig.

Art.	Thickness (mm)	Width (mm)	Length (mm)	Insertion
38.403-2	2	1.400	20.000	0
38.403-3	3	1.400	20.000	0
38.403-4	4	1.400	20.000	0
38.403-5	5	1.400	10.000	0
38.403-6	6	1.400	10.000	0
38.403-8	8	1.400	10.000	0

NBR / NITRIL, sort

Sort prisgunstig nitril med gode mekaniske egenskaber. Egnede til alle alifatisk og aromatiske olier og benzin.

Art.	Thickness (mm)	Width (mm)	Length (mm)	Insertion
38.404-2	2	1.400	20.000	0
38.404-3	3	1.400	20.000	0
38.404-4	4	1.400	20.000	0
38.404-5	5	1.400	10.000	0
38.404-6	6	1.400	10.000	0
38.404-8	8	1.400	10.000	0
38.404-10	10	1.400	10.000	0
38.404-12	12	1.400	5.000	0
38.404-15	15	1.400	5.000	0
38.404-20 *	20	1.400	5.000	0

Slid-gummi, sort

Høj træk/rivstyrke. Egnede til alle stærkt slidende applikationer, grusgrave, sandblæsekabiner.

Art.	Thickness (mm)	Width (mm)	Length (mm)	Insertion
38.405-6	6	1.400	10.000	0
38.405-8	8	1.400	10.000	0
38.405-10	10	1.400	10.000	0
38.405-10X *	10	2.000	10.000	0
38.405-15	15	1.400	10.000	0
38.405-20 *	20	1.400	5.000	0
38.405-40 *	40	1.200	7.000	0

* Skaffevarer / Special order item

00129-6-202104 - BIBUS SINDBY PROFILES 6

EPDM rubber, black

With high resistance to ozone and climate. Very resistant to cold and hot applications.

Data	
Gummi / Rubber	EPDM
Farve / Color	Sort / Black
Kvalitet / Quality	Commercial
Hårdhed / Hardness - Shore A	70
Densitet / Gravity - g/cm ³	1,30
Forlængelse / Elongation - %	300
Arbejdstemperatur / Working temperature - °C	-40 +100
Trækstyrke / Tensile strength - N/mm ²	6 - 7

CR rubber plate, black

Good climate resistance. Used where there are no specific demands to tensile strength. Conditional oil resistant.

Data	
Gummi / Rubber	CR
Farve / Color	Sort / Black
Kvalitet / Quality	Commercial
Hårdhed / Hardness - Shore A	65
Densitet / Gravity - g/cm ³	1,55
Forlængelse / Elongation - %	280
Arbejdstemperatur / Working temperature - °C	-40 +90
Trækstyrke / Tensile strength - N/mm ²	3,5

Commercial nitrile, black

With good mechanical properties. Recommended for aliphatic and aromatic oils and petrol.

Data	
Hårdhed / Hardness - Shore A	70
Densitet / Density - g/cm ³	1,49
Kvalitet / Quality	Commercial
Forlængelse / Elongation - %	330
Arbejdstemperatur / Working temperature - °C	-30 +70
Trækstyrke / Tensile strength - N/mm ²	10

Wearing/abrasion rubber, black

With high tensile strength. Recommended for wearing application, gravel pits, sandblasting.

Data	
Hårdhed / Hardness - Shore A	60
Densitet / Density - g/cm ³	1,30
Forlængelse / Elongation - %	400
Arbejdstemperatur / Working temperature - °C	-30 +70
Trækstyrke / Tensile strength - N/mm ²	15

Kina-gummiplader / Rubber sheets from China

Viton-gummi

Art.	Thickness (mm)	Width (mm)	Length (mm)	Insertion
38.429-2 *	2	1.200	10.000	0

Min. order: 12 m²

Data	
Hårdhed / Hardness - Shore A	70
Densitet / Density - g/cm ³	-
Forlængelse / Elongation - %	250
Arbejdstemperatur / Working temperature - °C	-
Trækstyrke / Tensile strength N/mm ²	7

Pyramidemåtte

NR / SBR = Natur / SBR

Måtte til industrigulve og maskinområder, varehuse og trafikerede områder. Skridsikker overflade.

Mat for industrial floors and machine areas, warehouses and trafficked areas. Non-slip surface.



Art.	Thickness (mm)	Width (mm)	Length (mm)	Insertion	Quality
38.432	3	1.200	10.000	0	Commercial

Data	NR / SBR Commercial
Hårdhed / Hardness - Shore A	70
Densitet / Density - g/cm ³	1,5
Forlængelse / Elongation - %	200
Arbejdstemperatur / Working temperature - °C	-20 +70
Trækstyrke / Tensile strength N/mm ²	3

Rice måtte

NR / SBR = Natur / SBR

Måtte til industrigulve og maskinområder, varehuse og trafikerede områder. Skridsikker overflade.

Mat for industrial floors and machine areas, warehouses and trafficked areas. Non-slip surface.



Art.	Thickness (mm)	Width (mm)	Length (mm)	Insertion	Quality
38.433	3	1.200	10.000	0	Commercial

Data	NR / SBR Commercial
Hårdhed / Hardness - Shore A	70
Densitet / Density - g/cm ³	1,5
Forlængelse / Elongation - %	200
Arbejdstemperatur / Working temperature - °C	-20 +70
Trækstyrke / Tensile strength N/mm ²	3

Kina-gummiplader / Rubber sheets from China

Knopmåtte / Studded Flooring

Knopmåtte, anbefales til trafikerede arealer, metro, lufthavne, supermarkeder, elevatorer, busser, toge, lastbiler, både m.m.

Studded flooring, recommended for high traffic areas such as metro, airports, supermarkets, lifts, buses, trains, trucks, boats.



Art.	Thickness (mm)	Width (mm)	Length (mm)	Insertion	Color
38.427-3C	3,5	1.200	10.000	0	Black
38.427-3GC	3,5	1.200	10.000	0	Grey

Data	Black	Grey
Hårdhed / Hardness - Shore A	65 - 70	65 - 70
Densitet / Density - g/cm ³	1,5	1,6
Kvalitet SBR / Quality SBR	Commercial	Commercial
Forlængelse / Elongation - %	150	150
Arbejdstemperatur / Working temperature - °C	-20 +70	-20 +70
Brudstyrke / Tear resistance N/mm ²	3	3

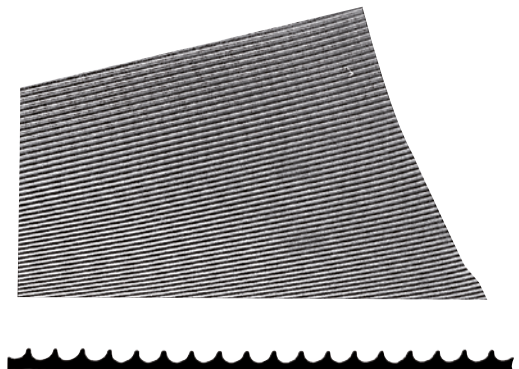
37.221/1G

Finrillet gummiplade, grå

Size: 1.000 x 10.000 x 3 mm.

Weight: 4.040 g/mtr.

Partivare



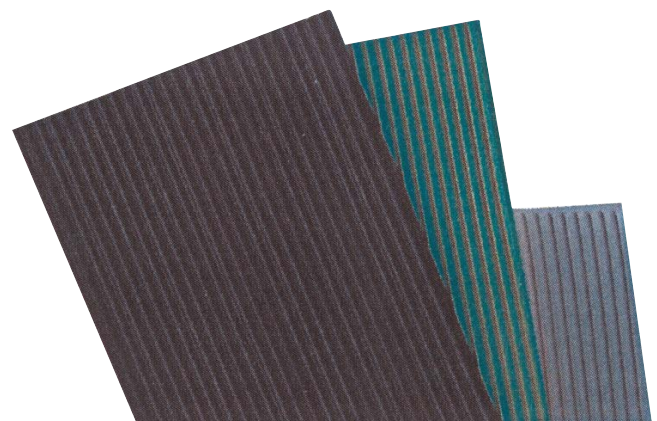
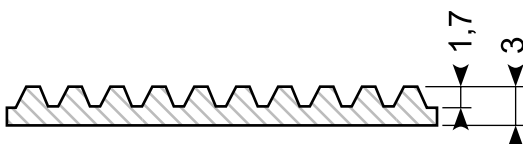
NR/SBR - Sort / Grå - Black / Grey

** = sort / black - 100% virgin quality SBR

Lugtfri / non-smelling

Finriflet gummiplade. Skridsikker plade til kabiner, arbejdsborde, hylder, gangarealer, køretøjer, sportsaktiviteter eller udstillinger.

Fine-ribbed rubber mat. Non-slip coverings for cabins, working benches, shelves, corridors, vehicles, sporting facilities or exhibition floors.



Art.	Thickness (mm)	Width (mm)	Length (mm)	Insertion	Color
38.407-3X **	3	1200	20000	0	Black
38.407-3 **	3	1400	20000	0	Black
38.407-3C	3	1400	20000	0	Black
38.407-3G	3	1400	20000	0	Grey
38.407-3XL	3,5	1.800	10.000	0	Black

Data	38.407-3C	38.407-3G	**
Hårdhed / Hardness - Shore A	70	70	70
Densitet / Density - g/cm ³	1,6	1,6	1,6
Forlængelse / Elongation - %	280	280	280
Arbejdstemperatur / Working temperature - °C	-10 +70	-20 +70	-20 +70
Trækstyrke / Tensile strength N/mm ²	3,5	5	5

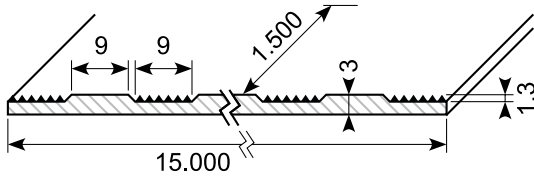
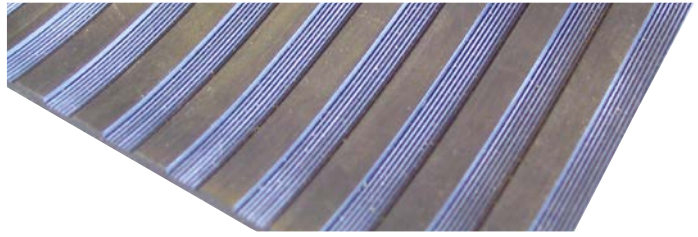
Kina-gummiplader / Rubber sheets from China

Busmåtte / Bus mats

NR / SBR = Natur / SBR

Mellemriflet måtte. Egnede til gulv og vægbeklædning til busser, både, dyretransport, værksteder mm.

Medium-ribbed mat. Recommended for floors and walls for buses, boats, animal transport, work shops.



Art.	Thickness (mm)	Width (mm)	Length (mm)	Insertion
38.418	3	1.500	15.000	0
38.418N	3	1.500	15.000	0

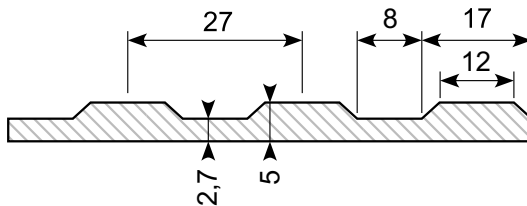
Data	38.418 NR / SBR	38.418N NBR
Hårdhed / Hardness - Shore A	70	70
Densitet / Density - g/cm ³	1,6	1,45
Kvalitet / Quality	Commercial	Commercial
Forlængelse / Elongation - %	280	250
Arbejdstemperatur / Working temperature - °C	-10 +70	-10 +70
Trækstyrke / Tensile strength N/mm ²	3,5	6

Busmåtte / Bus mats

NR / SBR = Natur / SBR

Bredrifflet måtte. Egnede til gulv og vægbeklædning til busser, både, dyretransport, værksteder mm.

Wide-ribbed mat. Recommended for floors and walls for buses, boats, animal transport, work shops.



Art.	Thickness (mm)	Width (mm)	Length (mm)	Insertion	Quality
38.434A	5	1.200	10.000	0	Commercial

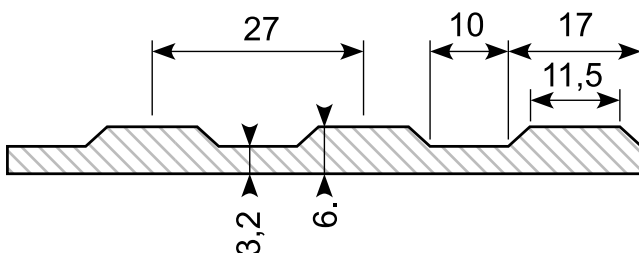
Data	NR / SBR Commercial
Hårdhed / Hardness - Shore A	65
Densitet / Density - g/cm ³	1,5
Forlængelse / Elongation - %	200
Arbejdstemperatur / Working temperature - °C	-25 +70
Trækstyrke / Tensile strength - N/mm ²	3

Busmåtte / Bus mats

NR / SBR = Natur / SBR

Bredrifflet måtte. Egnede til gulv og vægbeklædning til busser, både, dyretransport, værksteder mm.

Wide-ribbed mat. Recommended for floors and walls for buses, boats, animal transport, work shops.



Art.	Thickness (mm)	Width (mm)	Length (mm)	Insertion	Quality
38.434	6	1.200	10.000	0	Commercial

Data	NR / SBR Commercial
Hårdhed / Hardness - Shore A	70
Densitet / Density - g/cm ³	1,5
Forlængelse / Elongation - %	200
Arbejdstemperatur / Working temperature - °C	-20 +70
Trækstyrke / Tensile strength N/mm ²	3

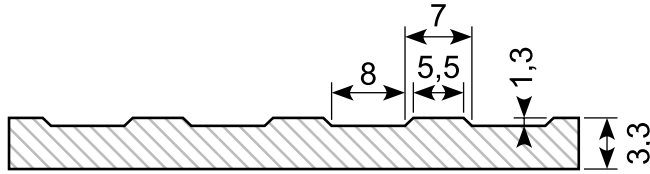
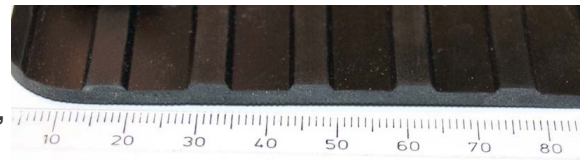
Kina-gummiplader / Rubber sheets from China

Busmåtte / Bus mats

NR / SBR = Natur / SBR

Light-ribbed XL måtte. Eget til gulv og vægbeklædning til busser, både, dyretransport, værksteder mm.

Light-ribbed XL mat. Recommended for floors and walls for buses, boats, animal transport, work shops.



Art.	Thickness (mm)	Width (mm)	Length (mm)	Insertion	Quality
38.419C	3 (3,3)	1.400	20.000	0	Commercial
38.435C	5	1.600	10.000	0	Commercial

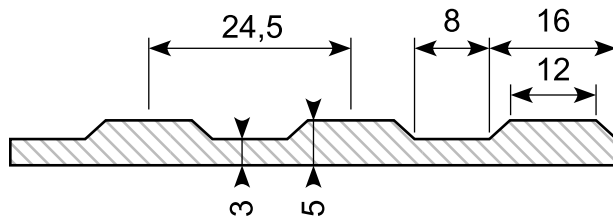
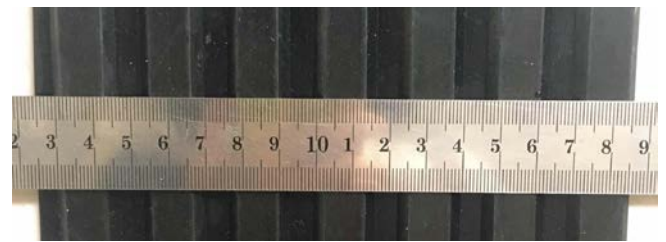
Data	NR / SBR Commercial
Hårdhed / Hardness - Shore A	65
Densitet / Density - g/cm ³	1,5
Forlængelse / Elongation - %	200
Arbejdstemperatur / Working temperature - °C	-25 +70
Trækstyrke / Tensile strength - N/mm ²	3

Busmåtte / Bus mats

NR / SBR = Natur / SBR

Bredrifflet måtte. Eget til gulv og vægbeklædning til busser, både, dyretransport, værksteder mm.

Wide-ribbed mat. Recommended for floors and walls for buses, boats, animal transport, work shops.



Art.	Thickness (mm)	Width (mm)	Length (mm)	Insertion	Quality
38.420CX	5	2.000	10.000	0	Commercial
38.420X	5	2.000	10.000	0	New rubber
38.420XL	5	2.000	20.000	0	New rubber

Data	NR / SBR Commercial	NR / SBR New rubber
Hårdhed / Hardness - Shore A	65	65
Densitet / Density - g/cm ³	1,45	1,45
Forlængelse / Elongation - %	150	280
Arbejdstemperatur / Working temperature - °C	-30 +100	-30 +100
Trækstyrke / Tensile strength N/mm ²	3	5

NR/SBR = Natur / SBR

New rubber = No regenerated rubber used. Lugtfri / non smelling

C = commercial quality

Busmåtte / Bus mats

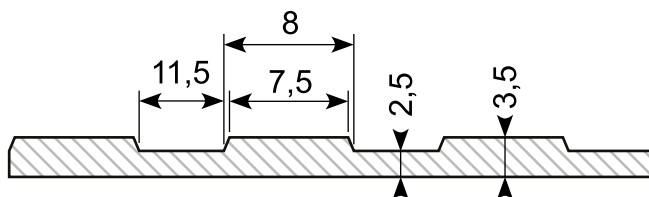
NR / SBR = Natur / SBR

Medium-ribbed måtte. Eget til gulv og vægbeklædning til busser, både, dyretransport, værksteder mm.

Medium-ribbed mat. Recommended for floors and walls for buses, boats, animal transport, work shops.



Commercial



Art.	Thickness (mm)	Width (mm)	Length (mm)	Insertion	Quality
38.419A	3,5	2.000	10.000	0	New rubber
38.436C	5	2.000	10.000	0	Commercial

Data	NR / SBR Commercial	NR / SBR New rubber
Hårdhed / Hardness - Shore A	65	65
Densitet / Density - g/cm ³	1,45	1,45
Forlængelse / Elongation - %	150%	280%
Arbejdstemperatur / Working temperature - °C	-30 +100	-30 +100
Trækstyrke / Tensile strength - N/mm ²	3	5

Kina-gummiplader / Rubber sheets from China

Dørkmatte / Checker mat

Dørkmatte til industrigulve og maskinområder, varehuse og trafikerede område. Skridsikker overflade.

Checker mat for industrial floors and machine areas, warehouses and trafficked areas. Non-slip surface.

** = sort / black - 100% virgin quality SBR



Art.	Thickness (mm)	Width (mm)	Length (mm)	Insertion	Quality
38.425-3C	3	1.400	10.000	0	Commercial
38.425-5C	5	1.400	10.000	0	Commercial
38.425N-3	3	1.400	10.000	0	NBR
38.425N-5	5	1.400	10.000	0	NBR
38.426-3CX	3	1.600	10.000	0	Commercial
38.426-3C	3	2.000	10.000	0	Commercial **
38.426-5CX	5	1.600	10.000	0	Commercial
38.426-5C	5	2.000	10.000	0	Commercial **
38.426-8C	8	2.000	10.000	0	Commercial

Data	NR / SBR Commercial	NR / SBR Commercial **	NBR
Hårdhed / Hardness - Shore A	65	70	70
Densitet / Density - g/cm ³	1,5	1,5	1,45
Forlængelse / Elongation - %	250	180	250
Arbejdstemperatur / Working temperature - °C	-10 +70	-10 +70	-10 +70
Trækstyrke / Tensile strength - N/mm ²	3	3	6

NR/SBR = Natur / SBR

NBR = Oliebestandig / oil resistant

New rubber = No regenerated rubber used. Lugtfri / non smelling

Art.	Thickness (mm)	Width (mm)	Length (mm)	Insertion	Quality
38.425-3	3	1.400	10.000	0	New rubber
38.425-5	5	1.400	10.000	0	New rubber
38.426-3XL	3	1.800	10.000	0	New rubber **
38.426-3	3	2.000	10.000	0	New rubber **
38.426-5	5	2.000	10.000	0	New rubber **

Data	NR / SBR New rubber	NR / SBR New rubber **
Hårdhed / Hardness - Shore A	70	65
Densitet / Density - g/cm ³	1,6	1,35
Forlængelse / Elongation - %	350	250
Arbejdstemperatur / Working temperature - °C	-10 +70	-10 +70
Trækstyrke / Tensile strength - N/mm ²	5	5

NR/SBR = Natur / SBR

NBR = Oliebestandig / oil resistant

New rubber = No regenerated rubber used. Lugtfri / non smelling

Diamond plate

NR / SBR = Natur / SBR

Matte til industrigulve og maskinområder, varehuse og trafikerede områder. Skridsikker overflade.

Mat for industrial floors and machine areas, warehouses and trafficked areas. Non-slip surface.

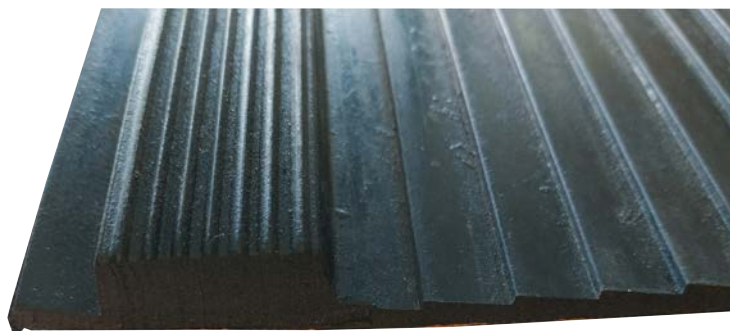


Art.	Thickness (mm)	Width (mm)	Length (mm)	Insertion	Quality
38.431	3	1.400	10.000	0	Commercial
38.431-3	3	1.800	10.000	0	PAK Free
38.431-5	5	1.800	10.000	0	PAK Free

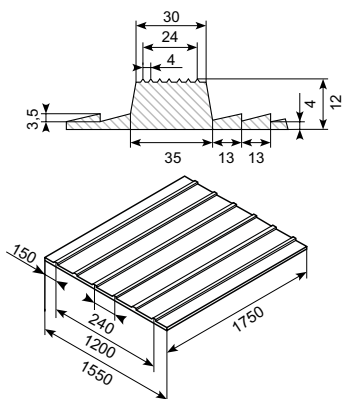
Data	NR / SBR Commercial	PAK Free
Hårdhed / Hardness - Shore A	70	65
Densitet / Density - g/cm ³	1,5	1,4
Forlængelse / Elongation - %	200	200
Arbejdstemperatur / Working temperature - °C	-20 +70	-20 +70
Trækstyrke / Tensile strength N/mm ²	3	3

Kina-gummiplader / Rubber sheets from China

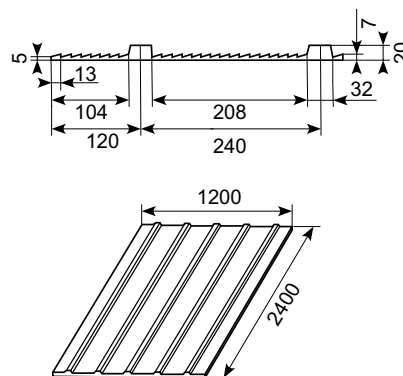
Rampemåtte / Rear Board Matting



37.250



37.251

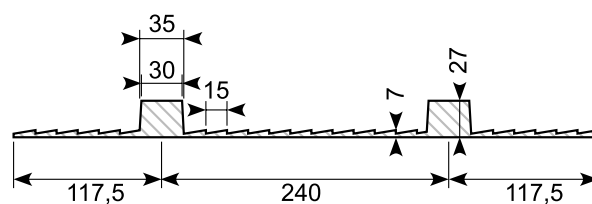
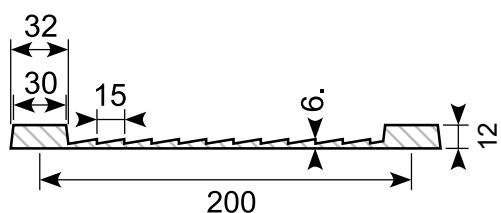


Art.	Hårdhed	Densitet g/cm ³	Forlængelse %	Arbejdstemperatur °C	Trækstyrke mpa	Tykkelse mm	Ribbredde mm	Bredde mm	Højde mm	Vægt kg
37.250 Rampemåtte 12 mm	SBR 65	1,25	400	-30 +80	8	7,5/12	30-35	1750	1550	28
37.251 Rampemåtte 20 mm	SBR 65	1,50	300	-30 +70	5	7/20	28-32	2400	1200	38-40



37.250X: SBR - Sort / Black - Commercial

37.251X: SBR - Sort / Black - Commercial



Art.	Hårdhed	Densitet g/cm ³	Forlængelse %	Arbejdstemperatur °C	Trækstyrke N/mm ²	Tykkelse mm	Vidde mm	Længde mm
37.250X *	SBR 70	1,5	250	-40 +80	4	6/12	1.750	1.550
37.251X *	SBR 65	1,55	200	-20 +75	4,5	7/27	2.400	1.200

Min. order: 80 pcs.

* Skaffevare / Special order item

Gummimåtter

Rubber mats

Vores gummimåtter kan bruges på busgulve, i varevogne eller til opsamling af skidt fra fodtøj i f.eks. mellemgange og entréer. Måtterne kan have mange forskellige funktioner. Nogle af vores gummimåtter er vibrationsabsorberende og kan derfor med fordel lægges under maskiner. Andre måtter beskytter mod statisk elektricitet.

Vi tilbyder også måtter, som forbedrer ergonomien ved stående arbejde og mindsker faren for at glide på glatte gulve.

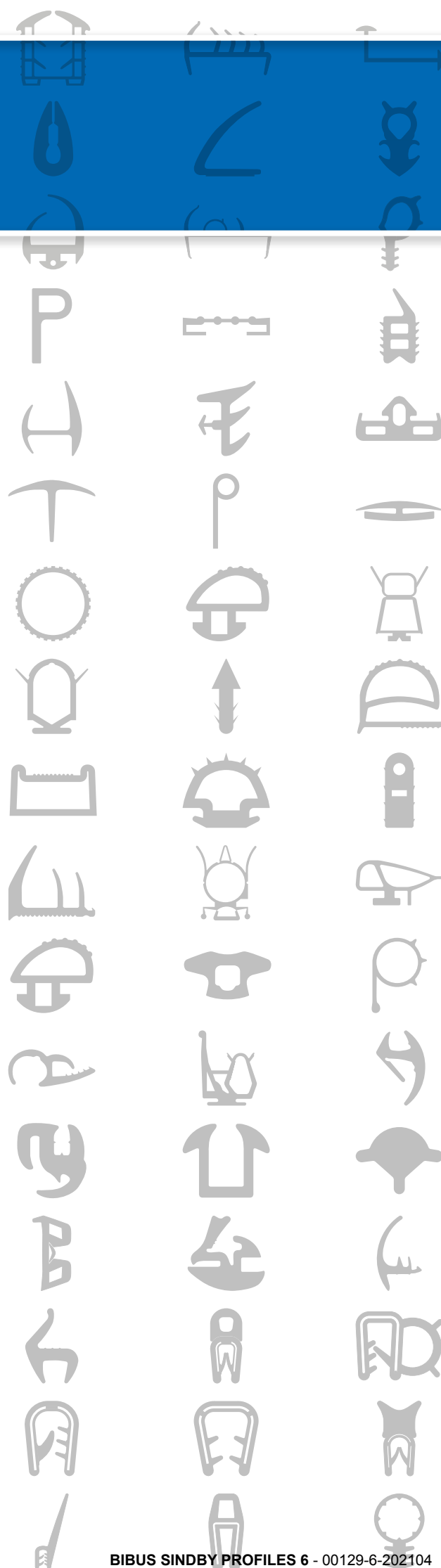
Vi har måtter og gummiplader fra hele verden til mange forskellige formål, i forskellige størrelser, priser og kvaliteter.

Gummimåtter, som ligger i ruller, kan udskæres i ønskede metermål.

Our rubber mats can be used on bus floors, vans or to collect dirt from shoes in e.g. aisles and entrances. The rubber mats can have many different functions. Some of our rubber mats are vibration absorbing and can therefore be placed under machines. Other mats protect against static electricity. We also offer mats that improve ergonomics of work performed while standing and reduce the risk of slipping on slippery floors.

We have mats and rubber sheets for many different purposes, in different sizes, at different prices and in different qualities from all over the world.

The rubber mats, which come in rolls, can be cut in the desired length.



Ergo Solid



Ergo Solid - tegn på ergonomisk indsigt

Ergo Solid er en nitrilgummimåtte med fantastiske gode aflastningsegenskaber og slidstyrke. Pladerne kan sammensættes fleksibelt uden anvendelse af samlingsstykker. Velegnet til arbejdspladser i industrien med enten tørt eller fedtet miljø.

- Tåler kontakt med varmt værktøj
- Oliebestandig
- Ryg og ben aflastes effektivt, hvilket resulterer i høj produktivitet og lavere sygefravær
- Affasede kanter minimerer risikoen for at snuble - findes ligeledes i gul for markering af arbejdsområde m.v.

Ergo Solid - shows ergonomical knowledge

Ergo Solid is a wear-resistant nitril rubber mat with excellent strain relief. The sheets may be joined together without the use of fittings. Suitable for workplaces in the industrial field - for dry or greasy environments.

- Tolerates contact with hot tools
- Oil resistant
- Back and legs are effectively relieved resulting in a high productivity and less absence due to sickness.
- Chamfered edges keep the risk of stumbling to a minimum

Art.	Name	Color	Size (m)	Height (mm)	Weight (kg)
38.9726230 *	Ergo Solid	Sort	0,91 x 0,91	19	8,2
38.9730030	Skrå kant - male	Sort	0,08 x 0,91		1
38.9750030	Koppling	Sort	0,03 x 0,23		0,1
38.9730030S *	Skrå kant - female				

* Ved kant rundt om hele måtten. Bruges 2 han + 2 hun skråkanter. Grundmåtten har udvendige tappe på 2 sider.

* At the edge around the entire mat. Use 2 male + 2 female edges. The basic mat has exterior pins on 2 sides.

Ergo Bubble

Boblemåtte

Ergo Bubble er en traditionel boblemåtte fremstillet af skum-polyuretan. Materialet har unikke elastiske egenskaber som sammen med bulerne i overfladen får benmusklerne til at arbejde og giver en god aflastning - samtidig med at den har meget høj slidstyrke.

Måtten findes i flere standardstørrelser men kan derudover fremstilles efter dine specialmål. Samtlige Ergo Bubble har affasede kanter for at minimere snublerisikoen.

Er velegnet i alle tørre miljøer.



Bubble mat

Ergo Bubble is a traditional bubble mat made from foam-polyurethane. The material has unique elastic properties which, together with the bubbles in the surface, make the leg muscles work and provide excellent strain relief - at the same time the mat is extremely hard-wearing.

Available in several standard sizes - or custom-designed according to your special dimensions. All Ergo Bubble have chamfered edges to reduce the risk of stumbling to a minimum. Suitable for use in all dry environments.

Art.	Name	Color	Size (cm)	Weight (kg)
38.8100110	Ergo Bubble	Grafit	650 x 950 x 1,3	3,2
38.8100310 *	Ergo Bubble	Grafit	0,65 x 1,8 x 1,3	4
38.8103110 *	Ergo Bubble	Grafit	0,95 x 1,2 x 1,3	4



Kan skaffes i oliebestandig NBR /
Obtained in oil resistant NBR:

- 0,65 x 1,4 m
- 0,95 x 1,5 m
- 0,95 x 1,8 m

Ergo Durk

En klassiker til mange arbejdspladser

Ergo Durk er en klassisk arbejdspladsmåtte med dørkmønstret overside i nitrilgummi. Bagsiden er af EPDM-cellegummi med lukkede celler. Kombinationen af disse miljøvenlige materialer giver en både slidstærk og behagelig måtte at stå på.

Desuden yders der 5 års komplet slitagegaranti.

Fås i standardmåtte fra rulle eller i specialmål efter tegning, alt med affasede kanter.

Ergo Durk ESD beskytter også følsomt elektronik imod statisk elektricitet. Måtten er godkendt i henhold til SP 2472.



A Classic for Many Workplaces

Ergo Durk is a classic workplace mat with a surface patterned like the deck of a ship and the upper side made of nitrile rubber. The back side is made of EPDM cellular rubber with closed cells.

The combination of these environmentally compatible materials provides a both hard-wearing and pleasant mat.

Furthermore, there is a five-year guarantee against wear.

Available as a standard mat in a roll or in sheets specially made according to drawing - all with chamfered edges.

Ergo Durk ESD also protects sensitive electronics against static electricity. The mat has been approved acc. to SP 2472.

Art.	Name	Color	Size (m)	Weight (kg)	Thickness (mm)
38.5017530	Ergo Durk	Sort	1,4 x 1	6,6	10
38.5017530A	Ergo Durk	Sort	1,4 x 10	66	10



Ergo Dome

Ergo Dome - en god måtte til gunstig pris

Ergo Dome er en slidstærk måtte i naturgummi (SBR). Den buleformede overflade stimulerer blodcirkulationen hvilket mindsker belastningsskader i ben og ryg.

Ergo dome - a good mat at low prices

Ergo dome is a durable mat of natural rubber (SBR). The bulge-shaped surface stimulates blood circulation, which reduces stress injuries in the lags and back.

Art.	Name	Color	Size (m)	Weight (kg)
38.410200	Ergo Dome	Sort	0,6 x 0,9	3,2
38.410201	Ergo Dome	Sort	0,9 x 1,2	4
38.410203	Ergo Dome Puzzle midterstykke	Sort	0,9 x 1,2	4
38.410202	Ergo Dome Puzzle, endestykke	Sort	0,9 x 1,2	4

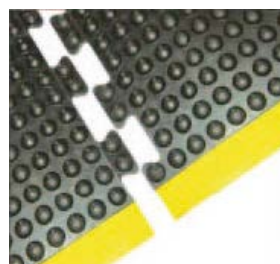
Puzzle er med sorte kanter, og det er muligt at samle 2 endestykker til f.eks. 2,4 m.

Puzzle is with black borders, and it is possible to assemble two end pieces, for example 2.4 m.



Kan skaffes i oliebestandig NBR /
Obtained in oil resistant NBR:

- 0,6 x 0,9 m
- 0,9 x 1,2 m



Ergo Ring

Skridsikker i vådt og tørt

Ergo Ring bortdræner effektivt væde og spildmateriale, hvilket sikrer en skridsikker overflade at stå på. Den åbne ringkonstruktion giver desuden en god aflastning.

- Kan samles, hvilket giver mulighed for store sammenhængende, skridsikre overflader
- Dræner effektivt, ideel ved bearbejdningsmaskiner eller i våde lokaler
- God som grov dørmatte i entreer
- Naturgummi med den rette hårdhed giver skridsikkerhed både i tørt og vådt miljø

Non-skid in wet and dry environment

Ergo Ring effectively drains off wet and waste material, which ensures a non-skid surface. The open annular construction provides an excellent strain relief.

- May be joined together to large coherent non-skid surfaces
- Drains effectively, ideal for machine tools or in wet premises
- Applicable as a coarse entrance door mat
- Natural rubber with the correct hardness provides skid resistance in both wet and dry environments.



Art.	Name	Color	Size (m)	Height (mm)	Weight (kg)
38.9117630	Ergo Ring	Sort	0,8 x 1,2	23	11
38.9117631	Ergo Ring	Sort	1 x 1,5	23	21
38.9110030	Samlestykke	Sort			

Kan skaffes i / Obtained in: 0,4 x 0,6 & 0,6 x 0,8

Ergo Ease

Ergo Ease - kongen af aflastning

Ergo Ease er en nitrilgummimatte med ekstremt gode aflastningsegenskaber og slidstyrke. Pladerne kan sammensættes fleksibelt uden anvendelse af samlingsstykker. Velegnede til arbejdspladser i industrien med enten tørt eller fedtet miljø.

- Tåler kontakt med varmt værktøj
- Oliebestandig
- Ryg og ben aflastes effektivt, hvilket resulterer i høj produktivitet og lavere sygefravær
- Affasede kanter minimerer risikoen for at snuble - findes ligeledes i gul for markering af arbejdsområde m.v.

Ergo Ease - first-quality strain relief

Ergo Ease is a wear-resistant nitril rubber mat with excellent strain relief. The sheets may be joined together without the use of fittings. Suitable for workplaces in the industrial field in a dry or greasy environment.

- Tolerates contact with hot tools
- Oil resistant
- Back and legs are effectively relieved resulting in a high productivity and less absence due to sickness.
- Chamfered edges keep the risk of stumbling to a minimum. Available in yellow to mark the work area etc.



Art.	Name	Color	Size (m)	Height (mm)	Weight (kg)
38.9716230	Ergo Ease	Sort	0,91 x 0,91	14	8,2 kg

Kan skaffes i terracottarød / Obtained in terracotta red

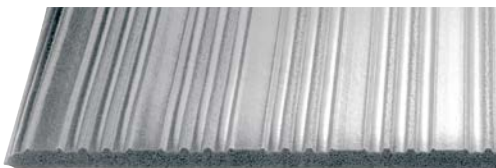
Gummimåtter / Rubber mats

Ergo Classic

Komfort og økonomi i samme måtte

Ergo Classic er den ideelle måtte til den stående arbejdsplads, hvor man også bevæger sig inden for arbejdsfeltet. God skridsikkerhed på den ribbede overflade. Ergo Classic har 3 års fuld slitagegaranti. Nem at tilpasse selv med en almindelig tæppekniv.

- Ideel til monteringslinjer m.v.
- God skridsikkerhed
- Isolerer effektivt imod kulde og vibrationer
- God økonomi
- Fås ligeledes med farvede kanter for markering af arbejdsområde m.v.
- Tykkelse: 10 mm



Art.	Name	Color	Size (m)	Weight (kg)
38.5501110	Ergo Classic	Grå	0,61 x 18,3	36 kg
38.5501210	Ergo Classic	Grå	0,91 x 18,3	50 kg
38.5501310 *	Ergo Classic	Grå	1,22 x 18,3	65 kg

Comfort and economy in the same mat

Ergo Classic is the ideal mat for standing work where you move within the working area. The ribbed surface provides skid resistance. There is a full three-year guarantee against wear. Easy to adapt with an ordinary carpet knife.

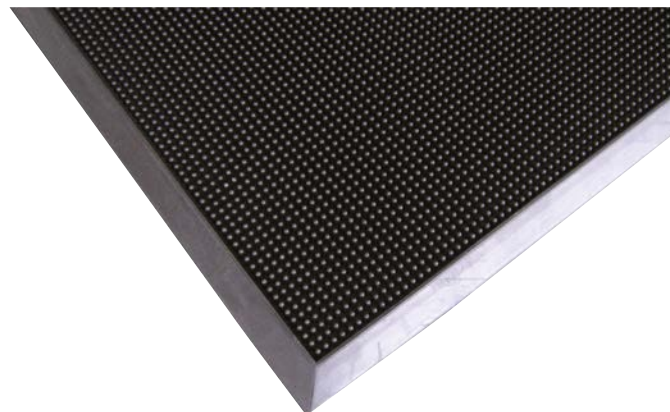
- Non-skid quality
- Effective insulation against cold and vibrations
- Economical
- Is also available with coloured borders for marking the working area etc.
- 10 mm thick



Fingertip

Fingertip gummimåtte med skrå kant.

Fingertip rubber mat with beveled edge.



Art.	Name	Color	Size (m)
38.345522	Fingertip	Sort	0,8 x 1

Smudsmåtter diamond blue / Mat diamond blue



Dørmåtte blå, polypropylen med gummiskråkant. Kan spules med højtryksrensere.

Blue mat, polypropylene with rubber beveled edge. Can be flushed with high-pressure cleaner.

Art.	Color	Size (m)
38.623750	Blue	0,9 x 1,5
38.623752	Blue	0,6 x 0,9
38.623764 *	Blue	1,2 x 1,8

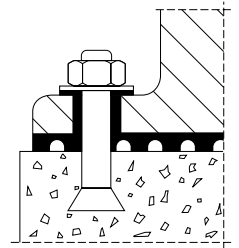
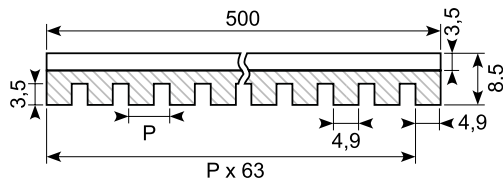
Kan skaffes i grå / Obtained in grey

Gummimåtter / Rubber mats

Vibrationsmatte / Vibration mat

Sort, kommerciel gummiplade. Anvendes mellem maskiner og gulv for at minimere og optage vibrationer. Riller på begge sider. Bæreevne 5 kg/cm²

Black commercial rubber plate. To be used between machines and floor in order to minimize and absorb vibrations. Grooves on both sides. Carrying capacity of 5 kg/cm².



NR/SB

Art.	Thickness (mm)	Width (mm)	Length (mm)	Insertion
37.400	8,5	500	500	0

Komåtte / Cow mat (NR / SBR)



Art.	Width (mm)	Length (mm)	Thickness (mm)	Shore	Density
38.440-6	2.000	30.000	6	65	1,45
38.440-8	2.000	30.000	8	65	1,45
38.440-8X	1.250	10.000	8	65	1,45
38.440-6A	1.750	21.000	6	65	1,45
38.440-8A	1.750	21.000	8	65	1,45

Komåtte / Cow mat (NR / SBR)



Art.	Thickness (mm)	Width (mm)	Length (mm)
37.260	10	2.000	20.000
37.261 *	10	2.000	4.870
37.262 *	10	2.000	6.522

37.280

37.263

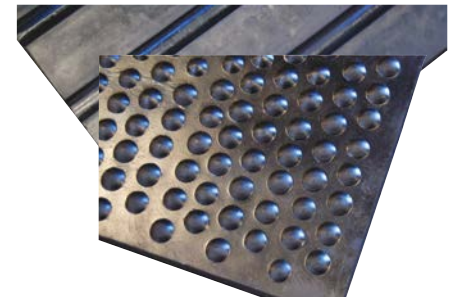
37.270



Grisemåtte 1.810 x 1.210 x 30 mm.
Cirkler / hul bund uden indlæg.
Pigs mat 1.810 x 1.210 x 30 mm.
Circles / hollow bottom without insert.



Komåtte 2.200 x 10.000 x 16 mm.
Overflade cirkler u/indlæg. Bund ribbet i længderetning.
Cow mat 2.200 x 10.000 x 16 mm.
Surface circles without insert.
The bottom ribbed in longitudinal direction.



Komåtte 1.830 x 1.220 x 17 mm.
Knopper / ribbet bund uden indlæg.
Cow mat 1.830 x 1.220 x 17 mm.
Studs / ribbed bottom without insert.

Trailermåtte / Trailer mat

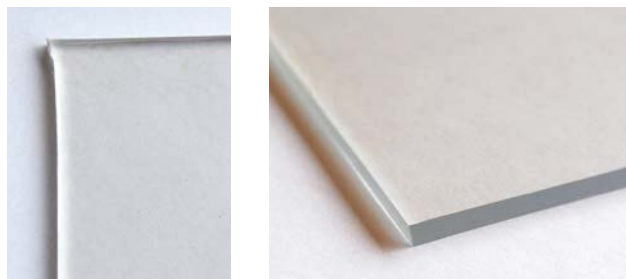


Art.	Thickness (mm)	Width (mm)	Length (mm)
38.422-1350	6	1.350	21.000
38.422-1650	6	1.650	21.000
38.422-1750 *	6	1.750	21.000
38.423-1650	8	1.650	21.000
38.423-1750 *	8	1.750	21.000
38.424-1800 *	8	1.800	21.000

Data	
Gummi / Rubber	NR / SBR
Hårdhed / Hardness - Shore A	65
Densitet / Density - g/cm ³	1,4
Arbejdstemperatur / Working temperature - °C	-25 +70
Trækstyrke / Tensile strength - N/mm ²	12

Gummimåtter / Rubber mats

Klar PVC / Transparent PVC



Art.	Thickness (mm)	Width (mm)	Length (mm)
38.449-750 *	3	750	20.000
38.449-1200	3	1.200	20.000
38.450-760 *	4	760	13.000
38.451-1600	5	1.600	20.000
38.452-1200 *	7	1.200	10.000

Polyurethanplader / Polyurethane plates

Art.	Thickness (mm)	Width (mm)	Length (mm)	Stock
38.430-5/70	5	2.000	1.000	X
38.430-5/80	5	2.000	1.000	X
38.430-8/70	8	2.000	1.000	X
38.430-8/90	8	2.000	1.000	X
38.430-10/70	10	2.000	1.000	X
38.430-10/90	10	2.000	1.000	X



Data			
Hårdhed / Hardness - Shore A	70	80	90
Forlængelse / Elongation	500-600	450-500	400-450
Arbejdstemperatur / Working temperature - °C	-35 +100	-35 +100	-35 +100
Rivstyrke / Tear strength - KN/m	50	50	50
Trækstyrke / Tensile strength N/mm ²	25	30	35

38.14124

*



Anti slip plade. Gummigranulat.
Anti slip plate. Rubber granules.
Size: 8 x 100 x 200 mm
Min. order: 300

38.14572

*



Anti slip plade. Gummigranulat.
Anti slip plate. Rubber granules.
Size: 8 x 500 x 5000 mm
Min. order: 5 m

38.14574

*



Anti slip plade. Gummigranulat.
Anti slip plate. Rubber granules.
Size: 5 x 1.250 x 10.000 mm
Min. order: 5 m

38.9971010

*



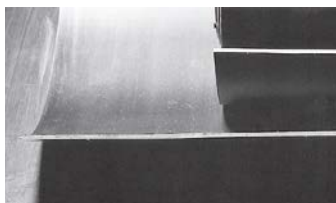
Græsmåtte, **grå**
Grass mat, **grey**
Size: 900 mm x 16 m

38.9971020

*



Græsmåtte, **grøn**
Grass mat, **green**
Size: 900 mm x 16 m



Semperit

Material: NBR / NR-SBR / EPDM

Art.	Width (mm)	Thickness (mm)	Quality	Color	Insert
38.1215N	1.400	1,5	NBR	Black	0
38.1215 *	1.400	1,5	NR / SBR	Black	1



Rubber cork

Material: NR / NBR / NR-SBR

Art.	Size (mm)	Thickness (mm)	Quality	Min. order (m ²)
38.201.5 *	1.000 x 1.000	1,5	1.235	100
38.202 *	1.000 x 1.000	2	1.235	75
38.203 *	1.000 x 1.000	3	1.235	50
38.205 *	1.000 x 1.000	5	1.235	30

Showroom

Vi ved, hvor vigtigt det kan være at se og sammenligne produkterne, inden man køber dem. Derfor er vores showroom fyldt med et bredt udvalg af vores profiler.

Du kan altid komme forbi på vores adresse **Edisonvej 11 i Vejle** for at tage et kig i vores showroom.

Vi glæder os til at hjælpe dig med alle slags opgaver.



Gummistropper

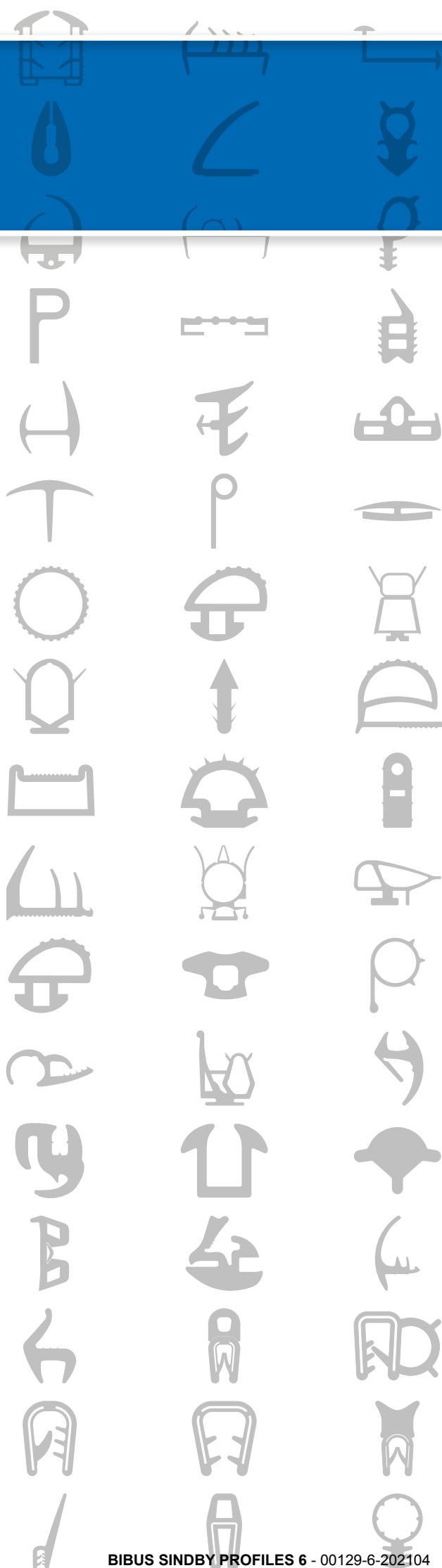
Rubber straps

Gummistropper bruges overalt som en fleksibel fastgørelse. Stropperne kan bl.a. bruges til at fæstne presenninger til landbrugsmaskiner, lastbiler eller reklameskilte.











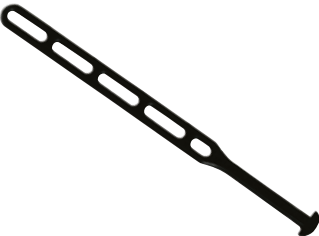



Vi tilbyder gummistropper i flere varierende udformninger lige fra 'T-strop' eller 'T-stige' til ovale stropper, bagage remme og stigestrop. Vi har også stropper i lange længder som bl.a. kan bruges til fastgørelse i industrien.

Rubber straps are used everywhere as a flexible fastening. The straps can among other things be used for fastening tarpaulins on agricultural machinery, trucks or advertising boards.





We offer rubber straps in different variants - from "T-straps" or "T-ladders" to oval straps, luggage straps or ladder straps. We also have straps in long lengths that can be used for fastening in industry.


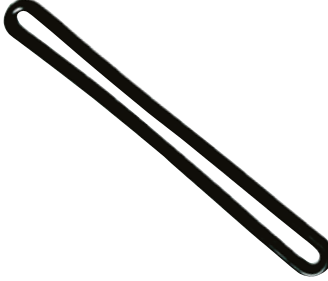
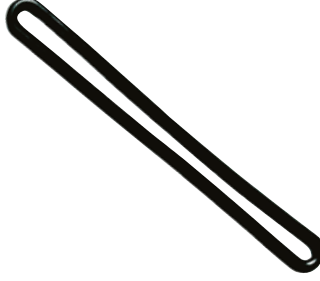
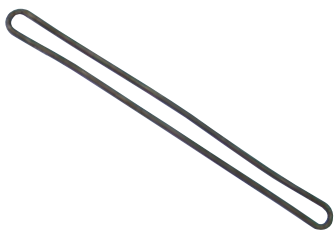






Gummistropper / Rubber straps

<p>50.241NR</p>  <p>T-strap Material: NR Hardness: SH 55 Length: 185 mm</p>	<p>50.245NR</p>  <p>T-ladder Material: NR Hardness: SH 55 Length: 190 mm</p>	<p>50.245H *</p>  <p>T-ladder Material: EPDM, white Length: 160 mm</p>	<p>50.242NR</p>  <p>T-strap Material: NR Hardness: SH 55 Length: 275 mm</p>
<p>50.246NR</p>  <p>T-ladder Material: NR Hardness: SH 55 Length: 285 mm</p>	<p>50.265NR</p>  <p>Combi strap Material: NR Hardness: SH 55 Length: 278 mm</p>	<p>50.246-10</p>  <p>T-ladder Material: NR Length: 280 x 30 mm 10 pcs. package Partivare - udgår</p>	<p>50.265</p>  <p>Combi strap Material: EPDM Length: 280 mm</p>
<p>50.266</p>  <p>Combi strap Material: EPDM Length: 360 mm</p>	<p>50.247-10</p>  <p>Combi strap Material: NR Length: 365 x 25 mm 10 pcs. package</p>	<p>50.247NR</p>  <p>Combi strap Material: NR Hardness: SH 55 Length: 370 mm</p>	<p>50.275</p>  <p>POP ladder Material: EPDM Length: 200 mm</p>
<p>50.244NR</p>  <p>Strap Material: NR Hardness: SH 55 Length: 290 mm</p>	<p>50.271</p>  <p>Strap Material: EPDM Length: 270 mm</p>	<p>50.276</p>  <p>POP ladder Material: EPDM Length: 275 mm</p>	<p>50.264-10</p>  <p>Strap Material: NR Length: 285 x 30 mm 10 pcs. package Partivare - udgår</p>

Gummistropper / Rubber straps

50.264NR	50.261	50.263	50.263K
			
<p>Strap Material: NR Length: 290 mm</p>	<p>Strap Material: EPDM Length: 200 mm, Ø 8 mm</p>	<p>Strap Material: EPDM Length: 200 mm, Ø 7 mm</p>	<p>Strap with hook Material: EPDM Length: 200 mm Loose hook: 50.263KL</p>

50.263K-10	50.243-10	50.243NR	50.267NR
			
<p>Strap Material: NR Length: 204 mm Partivare - udgår</p>	<p>Strap Material: NR Length: 253 mm Partivare - udgår</p>	<p>Strap Material: NR Length: 260 mm</p>	<p>Strap Material: NR Length: 400 mm</p>

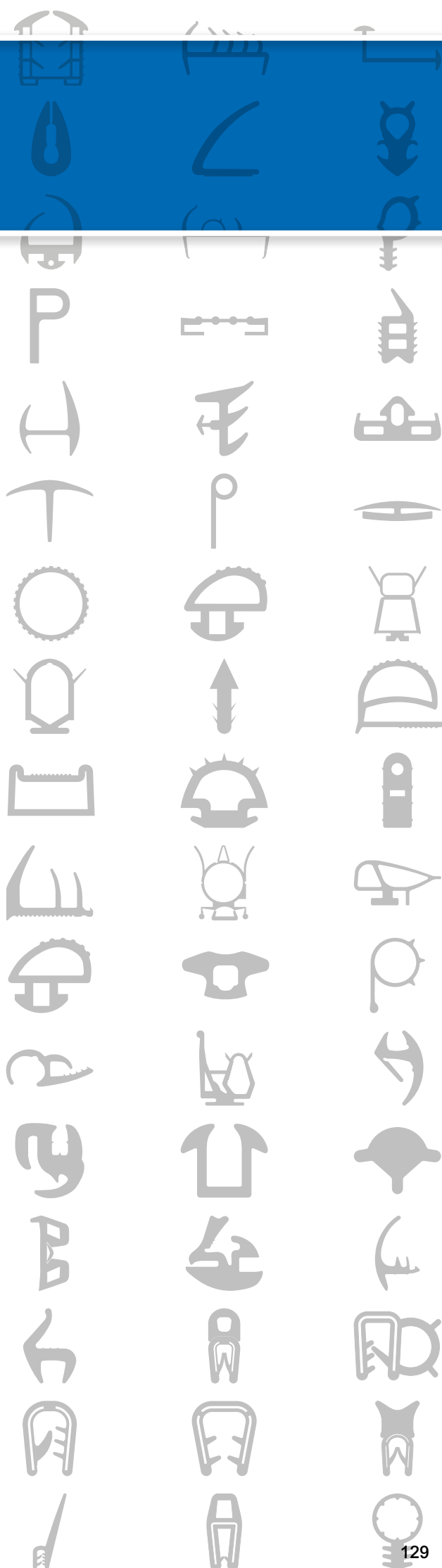
50.267	50.267-10	50.269	50.13621
			
<p>Strap Material: EPDM Length: 400 mm Min. order: 500 pcs.</p>	<p>Strap Material: NR Length: 400 mm Partivare - udgår</p>	<p>Ring Material: EPDM Length: Ø 106 mm / 86 mm</p>	<p>Strap with hook and eye Length: 20 x 490 mm</p>

50.280	50.250	Luggage strap														
																
<p>Strap with hook and eye Length: Strop 480 mm Total 610 mm</p>	<p>Ladder strap Material: NR Hardness: SH 50 Density: 1,16 Length: 10 m Size: B = 30 mm, Ø 8</p>	<table border="1"> <thead> <tr> <th>Art.</th> <th>Measure (mm)</th> </tr> </thead> <tbody> <tr> <td>79.051</td> <td>600</td> </tr> <tr> <td>79.051A</td> <td>700</td> </tr> <tr> <td>79.052</td> <td>900</td> </tr> <tr> <td>79.053</td> <td>1.250</td> </tr> <tr> <td>79.054</td> <td>1.750</td> </tr> <tr> <td>79.055</td> <td>3.000</td> </tr> </tbody> </table>	Art.	Measure (mm)	79.051	600	79.051A	700	79.052	900	79.053	1.250	79.054	1.750	79.055	3.000
Art.	Measure (mm)															
79.051	600															
79.051A	700															
79.052	900															
79.053	1.250															
79.054	1.750															
79.055	3.000															

Bumper Bumpers

Bumpers er en enkel løsning til at beskytte personer og materiel.

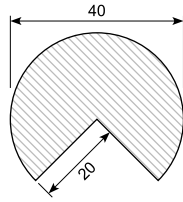
Bumpers are a simple solution to protect people and equipment.



Bumpers / Bumpers

39.BUMPER

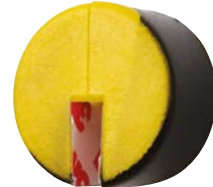
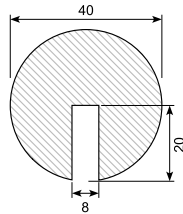
Type A. Sort og gul.
1.000 mm lang.
Selvklæbende.



Type A. Black and yellow.
1.000 mm long.
Adhesive.

39.BUMPERB

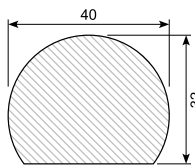
Type B. Sort og gul.
1.000 mm lang.
Selvklæbende.



Type B. Black and yellow.
1.000 mm long.
Adhesive.

39.BUMPERC

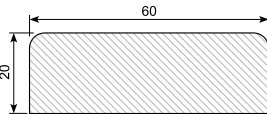
Type C. Sort og gul.
1.000 mm lang.
Selvklæbende.



Type C. Black and yellow.
1.000 mm long.
Adhesive.

39.BUMPERD

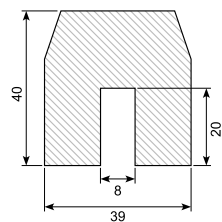
Type D. Sort og gul.
1.000 mm lang.
Selvklæbende.



Type D. Black and yellow.
1.000 mm long.
Adhesive.

39.BUMPERE

Type E. Sort og gul.
1.000 mm lang.
Selvklæbende.



Type E. Black and yellow.
1.000 mm long.
Adhesive.

52.PPCC720



Orange trafikkegle, 690 mm. Sammenklappelig.
Ekskl. topblink 52.PPTLRED.

Orange traffic cone, 690 mm. Foldable.
Excl. top blink 52.PPTLRED.

52.PPTLRED

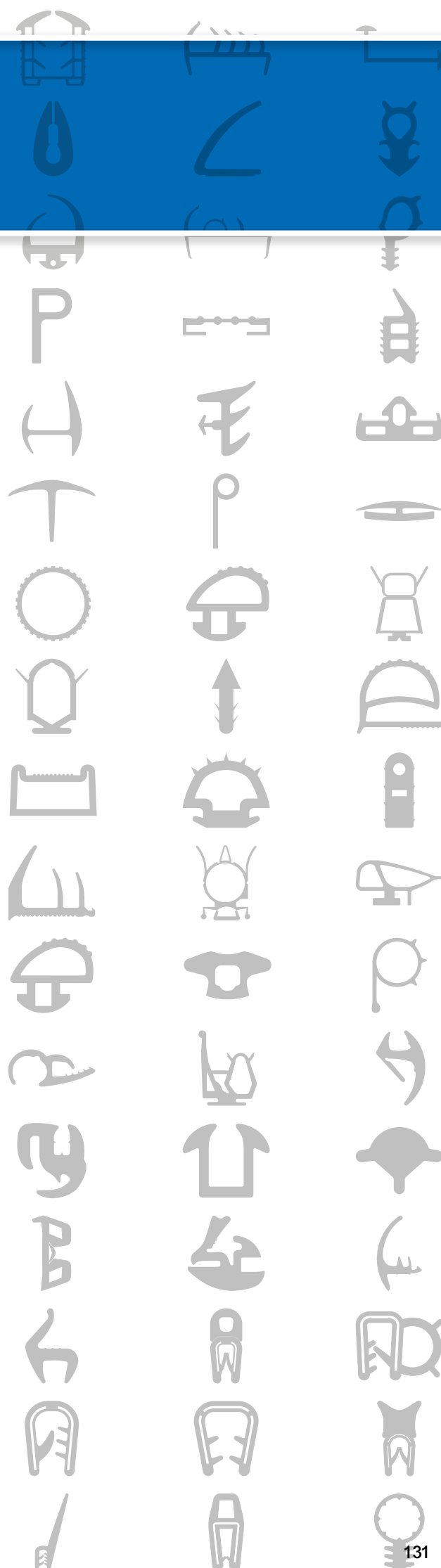


Rød advarselsblink for trafikkegle 52.PPCC720
Red warning light for traffic cone 52.PPCC720

Poliall Poliall

Poliall hængsler er vandtætte stanghængsler, der bl.a. bruges som dørhængsler, foldedørsopbygninger og som hængsel til tophængte låger.

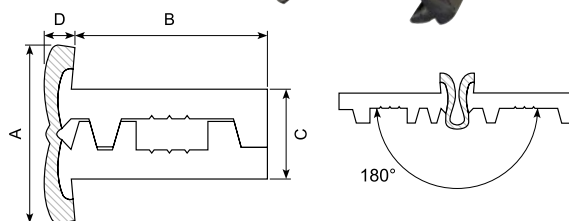
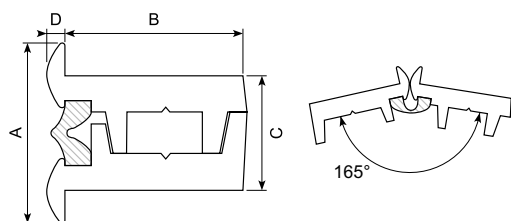
Poliall hinges are waterproof continuous hinges that are used as door hinges, folding door constructions and as a hinge for top-hung doors.



Centraflex

Vandtæt stanghængsel med polyester-kerne og PVC-flanger. Tillader 165° / 180° åbning.
 Stor styrke og høj elasticitet. Sort finish. **Længde: 2.000 mm.**

Weather-proof continuous hinge with polyester-core and synthetic flanges. 165° / 180° opening.
 High strength and excellent flexibility. Black finish. **Length: 2.000 mm.**



Art.	A mm	B mm	C mm	D mm	L mm
20.6020 *	28	23	16	4	2.000
20.6025	28	23	16	4	2.500
20.6030	28	23	16	4	3.000

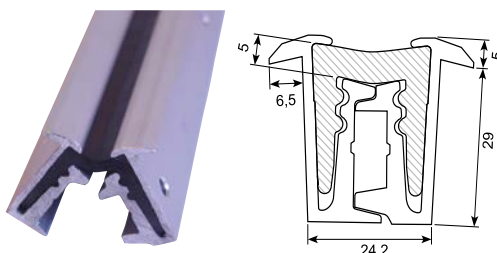
Art.	A mm	B mm	C mm	D mm	L mm
20.6120 *	30	34	16	4,5	2.000
20.6125 *	30	34	16	4,5	2.500
20.6130 *	30	34	16	4,5	3.000

Poliall

Art.	B mm	L mm
54.261700J-5	29	2.400
54.261720J-5	29	2.700
54.261740J-5	29	3.000
54.261760J-5	29	3.200
54.261780J-5	29	4.000

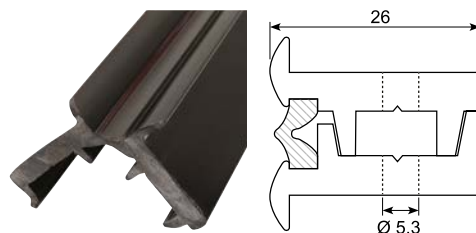
Poliall stanghængsel, vandtæt. Med PU kerne og aluminiumsflanger. Tillader 180° åbning.
 Forboret med 5 mm huller i flange.

Poliall rod hinge, waterproof. With PU core and aluminum flanges. Allows 180° opening.
 Pre drilled with 5 mm holes in flange.



Co-extruderet PVC-hængsel. 1.678 mm med Ø 5,3 mm forborede huller.
 Kun til lette opgaver.

Co-extruded PVC hinge. 1.678 mm, Ø 5,3 mm pre-drilled holes. Only for light tasks.



Oppustelige tætninger

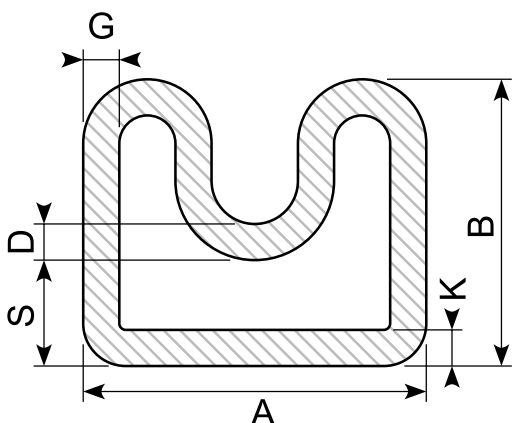
Inflatable seals

Oppustelige tætninger aktiveres med trykluft. Disse tætninger slutter helt tæ, og de er derfor egnet til mange slags opgaver. Vores oppustelige tætninger kan evt. leveres med ventil monteret.

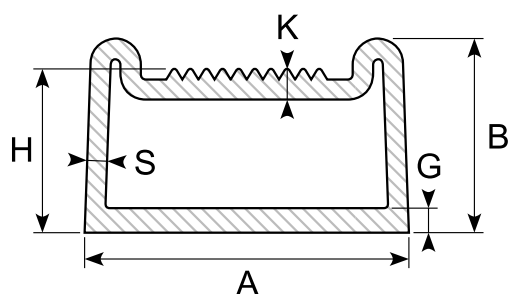
Inflatable seals are activated with compressed air. They have a unique ability to close completely tight and are therefore the ideal solution for numerous purposes. It is possible to get our inflatable seals with mounted valve.



Oppustelige tætninger / Inflatable seals

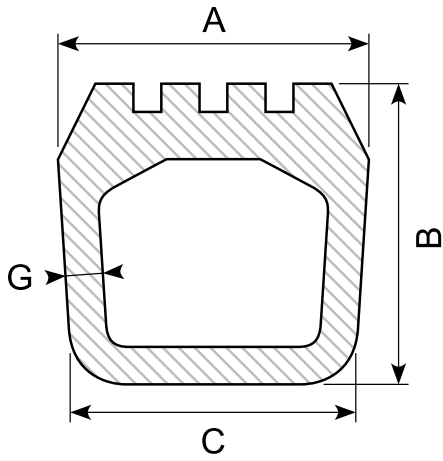


Art.	A	B	D	G	K	S	Material	Hardness SH A
30.0192-2819 *	16	14	1,8	1,8	1,8	4,9	Silicone	65
30.0192-3161 *	18	15,5	2	2	2	6	Silicone	60
30.0192-3375 *	18	15,5	2	2	2	2	Silicone	60
30.0192-3877 *	24	20	2,5	2,5	2,5	5	Silicone	60
30.0192-4588 *	18,5	17	2	2	2	9	Silicone	60
30.0192-4633 *	26	20	3	3	3	8,2	Silicone	60
30.0192-4634 *	35	32	5	5	5	17,6	Silicone	60
30.0192-4733 *	18,7	18/16,6	2	2	2	7,9	Silicone	60
30.0192-4756 *	16	17	1,5	1,5	1,5	10	Silicone	60
30.0192-4926 *	27	20	4	4	4	10	Silicone	60
30.0192-4947 *	22	16	3	3	3	6	Silicone	60
30.0192-10322 *	30	15	3	3	3	3,7	Silicone	60
30.0192-10680 *	25,3	20	2,7	2,7	2,7	7,3	Silicone	60
30.0192-10927 *	26,5	20	3	3	3	9	Silicone	60
30.0192-10963 *	17	14	2	2	2	5	Silicone	60
30.0192-11007 *	26	20	3	3	3	8,5	Silicone	60
30.0192-11016 *	46	34	3	3	5	9	Silicone	60
30.0192-11484 *	35	34	3	3	3	17	Silicone	60
30.0192-11800 *	10	10	1,5	2	2	5	Silicone	60
30.0192-12418 *	45	34	3	3	5	9	Silicone	60
30.0192-12642 *	21	15	2	2	2	8	Silicone	60



Art.	A	B	G	H	K	S	Material	Hardness SH A
30.0192-2076 *	16	10	2	10	2,5	1	Silicone	50
30.0192-2969 *	17	9,5	1,2	8	1,5	1	Silicone	76
30.0192-3214 *	16	9,5	1,2	8	1,5	1	Silicone	76
30.0192-3414 *	8,6	8,3	1,2	7,5	1,4	1,2	Silicone	60
30.0192-3415 *	12	8,5	1,2	7,7	1,4	1,2	Silicone	60
30.0192-3739 *	17	8,5	1,5	7	2	1	Silicone	76
30.0192-4792 *	16	7,5	1,2	7	1,5	1	Silicone	60
30.0192-4906 *	12	8	1,2	6,3	1,5	1,2	Silicone	60
30.0192-10966 *	30	30,3	4	33,5	9,9	4	Silicone	60
30.0192-11527 *	17	8,5	1,2	7	1,5	1	Silicone	60

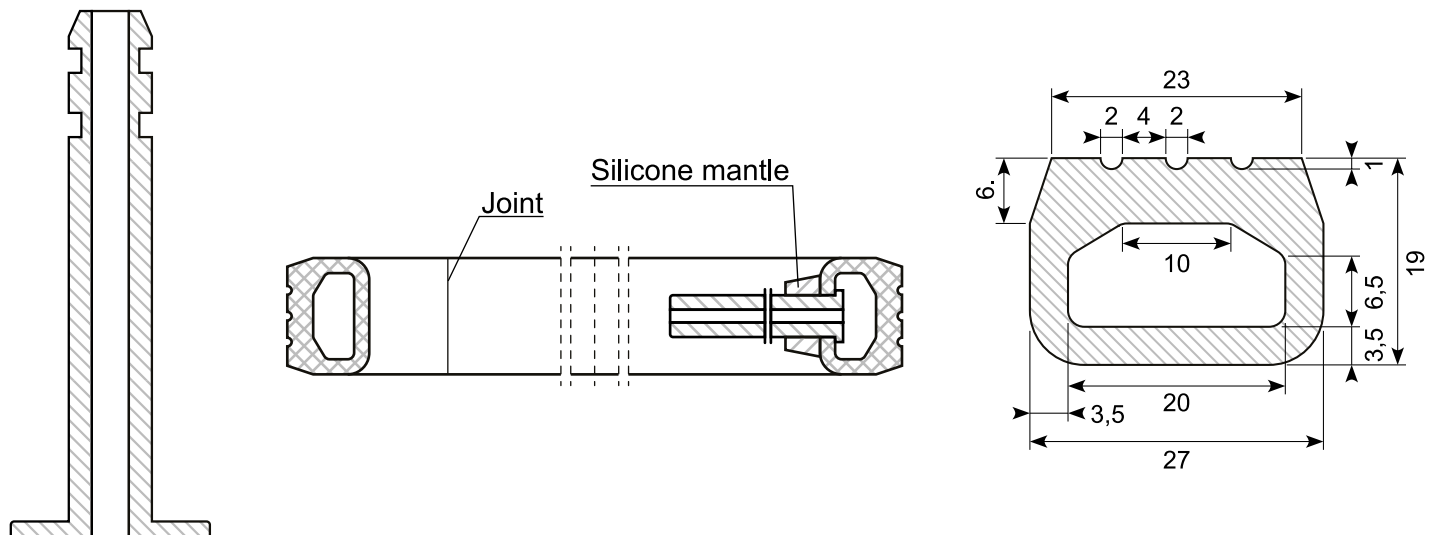
Oppustelige tætninger / Inflatable seals



Art.	A	B	C	G	Hardness SH A
30.0192-3900 *	35	32	35	5	60
30.0192-4626 *	34	25	34	5	60
30.0192-4690 *	35	32	35	4,5	60
30.0192-4973 *	15,2	13,6	16,2	2	55
30.0192-10142 *	16	12	16	2,5	60
30.0192-10318 *	35	31	35	4,5	65
30.0192-10358 *	21	24	21	3	60
30.0192-10389 *	16	12	16	2	60
30.0192-10519 *	16	12	16	2	60
30.0192-10947 *	35	32	35	3,3	55
30.0192-11093 *	13,6	10	13,6	2	55
30.0192-11137 *	14	14	14	3	60
30.0192-11278 *	17	9	17	2	55
30.0192-11342 *	32,5	32	35	5	60
30.0192-11385 *	33,5	30	35	5	60
30.0192-11550 *	34	35	35	5	70
30.0192-11937 *	22	20	22	3	60
30.0192-11991 *	33,7	32	33,7	5	60
30.0192-12300 *	35	31,5	35	5	60
30.0192-12398 *	35	35	35	4,3	60
30.0192-12442 *	14	10	14	1,7	50
30.0192-12465 *	35	33	35	4	60

Art.	A	B	C	G	Hardness SH A
30.0192-0374 *	16	20	15	2,5	50
30.0192-0460 *	17	18	17	3,5	50
30.0192-0431 *	34	35	35	5	60
30.0192-0459 *	17	18	15	2,5	50
30.0192-1345 *	16	18	16	2,5	50
30.0192-1494 *	14	11	14	2/2,25	60
30.0192-1744 *	35	33	35	5,5	55
30.0192-1768 *	27	19	27	3,5	50
30.0192-1881 *	36	26,9	36	5	55
30.0192-1949 *	17,5	20	17,5	3	45
30.0192-2029 *	14	14	15,5	2,5	50
30.0192-2067 *	16,5	16	15	2	55
30.0192-2364 *	35	32	35	5	60
30.0192-2408 *	16,5	13	16,5	2,5	55
30.0192-2845 *	14	11	13	2	60
30.0192-3365 *	14	10	14	2	60
30.0192-3497 *	27,5	25	27,5	3	60
30.0192-3551 *	33,5	32	35	5	60
30.0192-3588 *	16	14	16	2	60
30.0192-3616 *	15,5	18	15,5	2	60
30.0192-3693 *	53	41,5	53	5	60
30.0192-3845 *	35	32	35	4	60

Ventil eksempel / Valve example

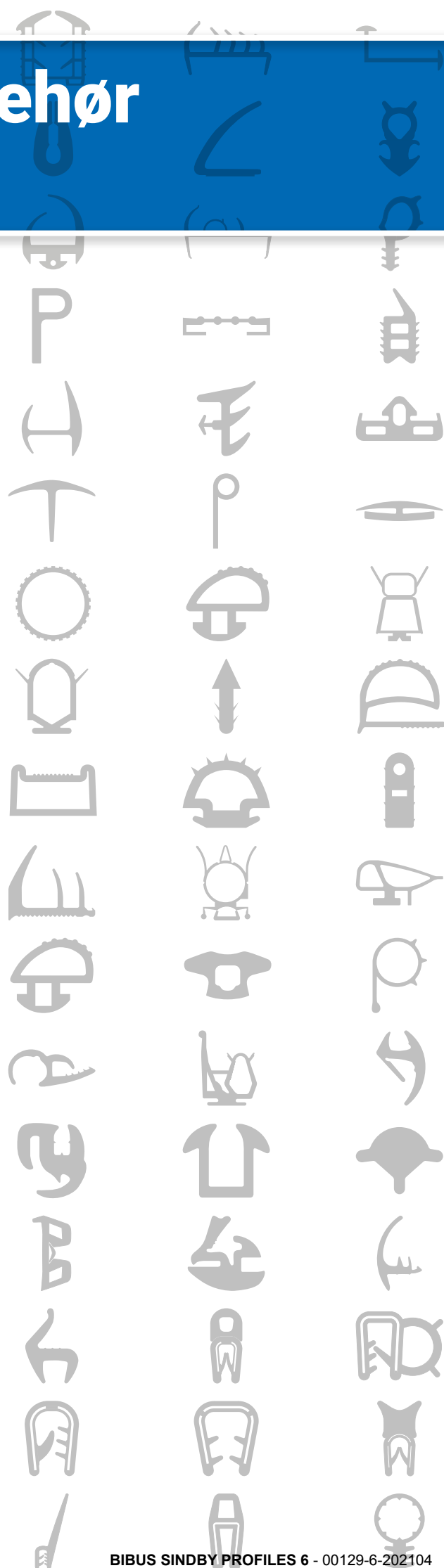


Portsluser og tilbehør

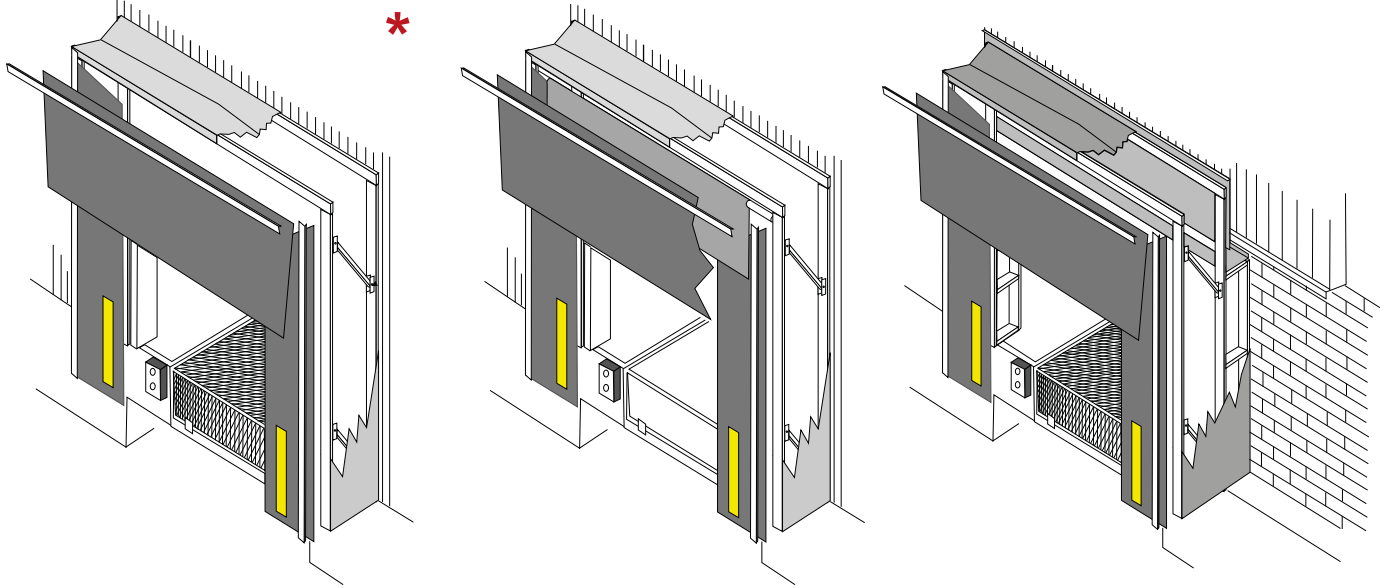
Dock shelters

Portslusere lukker lasteområdet og beskytter mod insekter og vejrlig. De sikrer en effektiv isolering og hindrer varmetab. Den minimale åbning beskytter også mod ulykker. Vi tilbyder også diverse tilbehør til portslusere.

Dock shelters close the cargo space and protect against insects and weather. They provide effective insulation and prevent heat loss. The minimal opening also protects against accidents. We also offer various accessories for dock shelters.

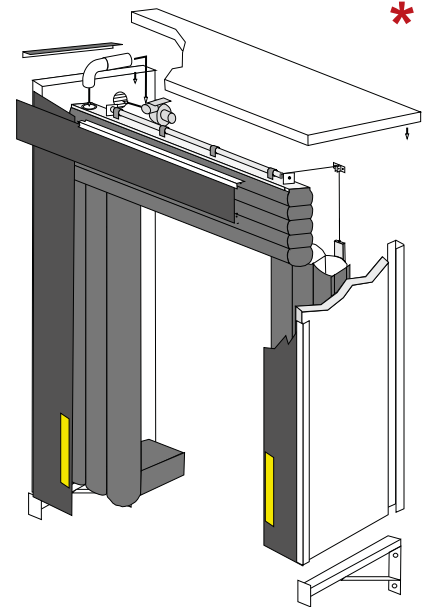
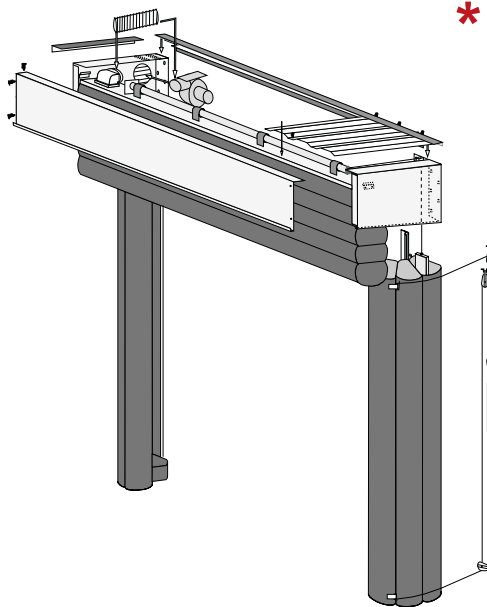
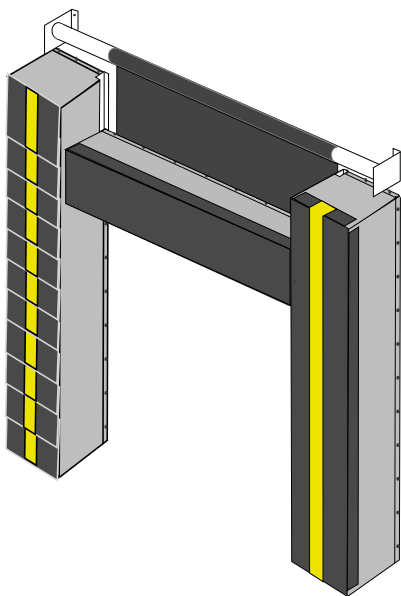


52.13689A

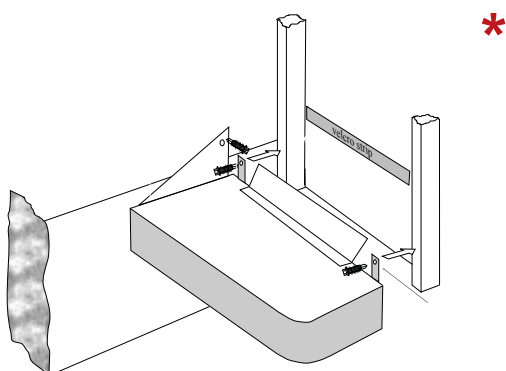


52.13689B




52.13689C











52.13689-5



Portsluser og tilbehør / Dock shelters

<p>39.1501 *</p>  <p>Front plate Size: 440 x 250 x 62 mm Weight: 16 kg For buffer 39.642X</p>	<p>39.1502 *</p>  <p>Front plate Size: 415 x 215 x 62 mm Weight: 14 kg For buffer 39.643X</p>	<p>39.1503 *</p>  <p>Back plate for welding Size: 450 x 250 x 15 mm Weight: 15 kg</p>	<p>39.1504 *</p>  <p>Back plate galvanized Size: 450 x 250 x 15 mm Weight: 15 kg</p>
<p>39.1505 *</p>  <p>Packer Rubber spacer Size: 450 x 250 x 10 mm Weight: 1,3 kg</p>	<p>39.1506 *</p>  <p>Packer Rubber spacer Size: 450 x 250 x 15 mm Weight: 2,3 kg Holes as an option</p>	<p>39.1507 *</p>  <p>Packer Rubber spacer Size: 450 x 250 x 20 mm Weight: 2,8 kg Holes as an option</p>	<p>39.1508 *</p>  <p>Packer Rubber spacer Size: 450 x 250 x 50 mm Weight: 5,5 kg</p>
<p>39.1509 *</p>  <p>Dock bumper accessory Size: 450 x 250 x 100 mm Weight: 10 kg Buffer for PE plate</p>	<p>39.1510 *</p>  <p>Front plate Hardwearing PE Size: 410 x 210 x 35 mm Weight: 2,5 kg</p>	<p>39.1511 *</p>  <p>Dock bumper accessory Size: 250 x 150 x 150 mm Weight: 8,1 kg For mount of buffer 150 mm over ramp level</p>	<p>39.1512 *</p>  <p>Dock bumper accessory Size: 250 x 250 x 150 mm Weight: 12 kg For mount of buffer 150 mm over ramp level</p>
<p>39.1513 *</p>  <p>Front plate Size: 440 x 440 x 62 mm Weight: 13,5 kg</p>	<p>39.1514 *</p>  <p>Packer Rubber spacer Size: 450 x 450 x 15 mm Weight: 2,3 kg Rubber spacer for 39.651A</p>	<p>39.1616 *</p>  <p>Packer Rubber spacer Size: 750 x 250 x 15 mm Weight: 3,6 kg</p>	<p>39.1617 *</p>  <p>Packer Rubber spacer Size: 750 x 250 x 20 mm Weight: 10,5 kg</p>

Portsluser og tilbehør / Dock shelters

<p>39.1618 *</p>  <p>Packer Rubber spacer Size: 750 x 250 x 50 mm Weight: 10,5 kg</p>	<p>39.1819 *</p>  <p>Front plate Size: 732 x 250 x 62 mm Weight: 26 kg For buffer 39.649</p>	<p>39.1620 *</p>  <p>Back plate for welding Size: 750 x 250 x 15 mm Weight: 24 kg</p>	<p>39.1621 *</p>  <p>Back plate Galvanized Size: 750 x 250 x 15 mm Weight: 24 kg</p>
<p>39.1622 *</p>  <p>Back plate for 450 mm buffer Size: 720 x 250 x 66 mm Weight: 32 kg Spring loaded. Follows the truck when loading.</p>	<p>39.1623 *</p>  <p>Back plate for 750 mm buffer Size: 965 x 250 x 66 mm Weight: 47 kg Spring loaded. Follows the truck when loading.</p>	<p>39.1624 *</p>  <p>Dock bumper accessory Buffer for PE plate Size: 750 x 250 x 100 mm Weight: 17 kg</p>	<p>39.1625 *</p>  <p>Front plate Hardwearing PE Size: 710 x 210 x 35 mm Weight: 4,5 kg</p>
<p>39.1630 *</p>  <p>Front plate Hardwearing rubber Size: 448 x 248 x 50 mm Weight: 7 kg</p>	<p>39.1631 *</p>  <p>Front plate Hardwearing PE Size: 450 x 250 x 50 mm Weight: 5 kg</p>	<p>39.1632 *</p>  <p>Back plate Galvanized Size: 450 x 250 x 60 mm Weight: 11 kg Remember rubber spacer</p>	<p>39.1633 *</p>  <p>Back plate Galvanized Size: 470 x 270 x 120 mm Weight: 21 kg Remember rubber spacer</p>
<p>39.1634 *</p>  <p>Front plate Hardwearing rubber Size: 750 x 250 x 50 mm Weight: 12 kg Alternative to 39.1635</p>	<p>39.1635 *</p>  <p>Front plate Hardwearing PE Size: 750 x 250 x 50 mm Weight: 8 kg</p>	<p>39.1636 *</p>  <p>Back plate Galvanized Size: 770 x 270 x 80 mm Weight: 26 kg Remember rubber spacer</p>	<p>39.1637 *</p>  <p>Back plate Galvanized Size: 770 x 270 x 120 mm Weight: 34 kg Remember rubber spacer</p>

Portsluser og tilbehør / Dock shelters

39.1638	39.1639	39.1641	39.1642
 <p>Trailer plate Size: 1.000 x 1.000 x 2,5 mm Weight: 26,5 kg To protect the concrete in front of the loading ramp</p>	 <p>Trailer plate PE Size: 1.000 x 1.000 x 20 mm Weight: 18,5 kg</p>	 <p>Wheel guide Size: Ø165 mm, 5 mm, 2.085 x 250 x 365 mm Color: Yellow RAL 1028 Weight: 90 kg</p>	 <p>Wheel guide Size: Ø165 mm, 5 mm, 2.070 x 600 x 365 mm Color: Yellow RAL 1028 Weight: 90 kg Can be ordered in hot-dipped.</p>
39.1643			
 <p>Wheel guide Size: 2.070 x 250 x 200 mm Color: Yellow RAL 1028 Weight: 78 kg</p>	 <p>Wheel guide Hot dipped Size: Ø165 mm, 5 mm, 3.000 x 600 x 365 mm</p>		

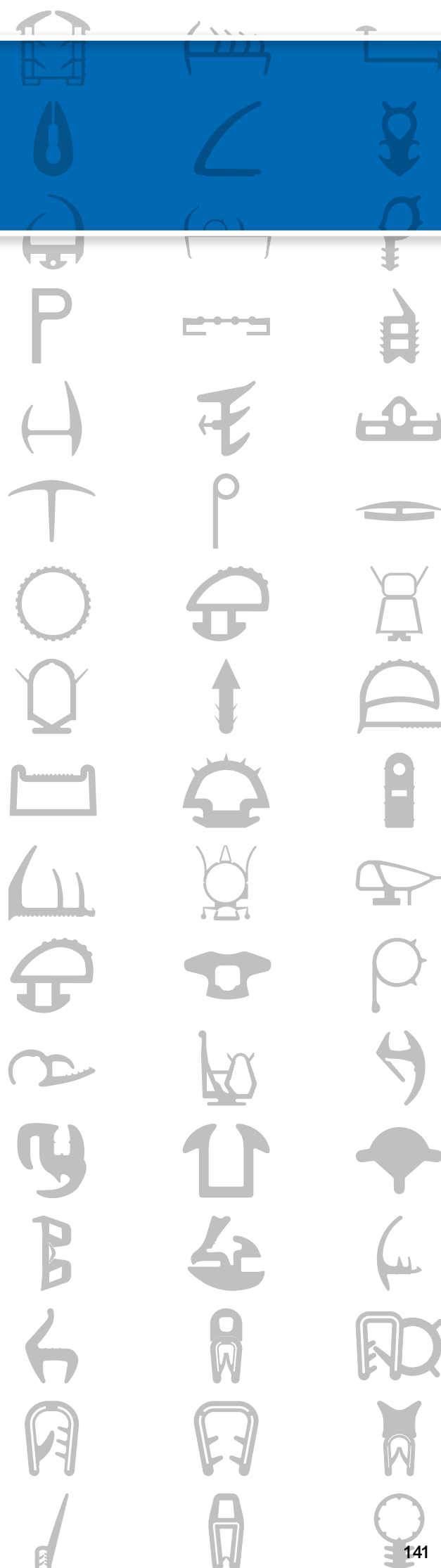
Tilbehør Equipment

Vi har forskellige produkter, som gør arbejdet med gummiprodukter nemmere. Uanset om du skal lime, skære, afkorte eller fæstne, så vil du hos os kunne finde de hjælpemidler, som du har brug for.

Hvis ikke du finder hvad du leder efter, er du altid velkommen til at kontakte os.

We have various products that facilitate the work with rubber products. Whether you need to glue, cut, shorten or fasten, in this chapter you will find the tools you can use for this.

If you do not find what you are looking for, you can always contact us.



S10.3301	S10.3312	S10.3311	S10.3303
 <p>Dolphin knife</p>	 <p>Utility knife</p>	 <p>Utility knife</p>	 <p>10 pcs. blades for S10.3301</p>
S10.3314	S10.3313	83.842	84.930
 <p>10 pcs. blades for S10.3312</p>	 <p>10 pcs. blades for S10.3311</p>	 <p>Profile cutter</p>	 <p>Tool set for inserting filler sections in glazing sections. Eyelet Ø 9,5 mm.</p>
84.931	84.932T	84.934X	84.934
 <p>Tool for filler sections</p>	 <p>Tool for glazing sections with wooden handle</p>	 <p>7 mm eyelet for 84.931</p>	 <p>9,5 mm eyelet for 84.931</p>
84.935	84.840084	84.961 / 84.961A / 84.961B	87.7051
 <p>10,5 mm eyelet for 84.931</p>	 <p>Cold cut knife</p>	 <p>Cold cut knife blade. 19 mm. For 84.840084 84.961A: 25 mm 84.961B: 35 mm</p>	 <p>Terokal 2444, 340 g Excellent contact adhesive, based on CR, for rubber/rubber and rubber/metal bonding.</p>

Tilbehør / Equipment

87.770/10	87.1034	87.1035	87.2010
 <p>Loctite 770(7239), 10 g. Primer which improves the adhesion on materials which are difficult to glue e.g. thermoplastic rubber types. Is to be used together with Loctite 401 / 406 / 431 / 454 or 4850</p>	 <p>Sicomet 50, 3 g. Excellent for EPDM</p>	 <p>Sicomet 8300, 20 g. Excellent for sponge rubber</p>	 <p>SikaFast-2590 - 10 ml. A fast curing and gap-filling two-component Universal "Super Glue".</p>
87.52759 / 87.52759X	87.51989 / 87.51999F	87.51939S	87.723
 <p>Terostat 2759, 310 ml, grey. Butyl-based sealant for overlaps of sheet metal and edge joints. Good adhesion to metal, rubber, glass and plastic. 87.52759X: 570 ml</p>	 <p>Terostat 930, 310 ml, black. Sealant based on modified silane. Permanent elastic adhesion for metal, glass, rubber, PVC and EPDM rubber. 87.51999F: 570 ml</p>	 <p>Teroson MS 939, 290 ml, black. Low modulus, flexible, odorless modified silane polymer adhesive used for elastic sealing. Absorbs vibration, stain and shock.</p>	 <p>Spray glue. Loctite 3923.</p>
30.shore20-90	30.shoreA	30.shoreD	
 <p>Shore samples with logo. Silicone rubber.</p>	 <p>Shore A hårdhedsmåler Shore A hardness tester</p>	 <p>Shore D hårdhedsmåler Shore D hardness tester</p>	

Butylbånd

Varenummer	Beskrivelse
87.81152	Terostat 81 - 15 x 2 mm, 30 m
87.812015	Terostat 81 - 20 x 1,5 mm, 40 m
87.81252	Teroson RB 81 - 25 x 2 mm, 35 m
87.81302	Terostat 81 - 30 x 2,0 mm, 30 m
87.814015	Terostat 81 - 40 x 1,5 mm, 40 m



Kemisk betegnelse Chemical Nomenclature	Natur-kautsjuk Naturel Rubber	Styrolbutadien- Kausjuk Styrol Butadien Rubber (Buna)	Nitril kausjuk (Perbunan) Nitril Rubber (Perbunan)	Chlororen kausjuk (Neopren) Chloroprene Rubber (Neoprene)	Ethylen propylen kausjuk (APTK) Ethylene Propylene Dien Rubber
Navnefortegnelse i.h.t. ASTM D 1418 Abbreviation as per ASTM D 1418	NR	SBR	NBR	CR	EPDM
Hårdhedsområde (Shore A)(±5) Hardness Range (Shore A)(±5)	40 - 90	45 - 90	45 - 90	40 - 90	40 - 90
Trækstyrke N/mm ² Tensile Strength N/mm ²	4 - 15	4 - 15	4 - 14	5 - 15	6 - 13
Tilbagestødselasticitet ved 20° C Recoil Elasticity at 20° C	Udmærket Excellent	God Good	Tilfredsstillende Satisfactory	God Good	God Good
Slidstyrke Abrasion Resistance	Meget god Very good	Meget god Very good	God Good	God Good	God Good
(1) Kemisk bestandighed (1) Chemical Resistance	God Good	God Good	Tilfredsstillende Satisfactory	God Good	Meget god Very good
(1) Oliebestandighed (1) Oil Resistance	Ringe Low	Ringe Low	Udmærket Excellent	God Good	Ringe Low
(1) Bestandighed overfor benzin (1) Petrol Resistance	Ingen None	Ringe Low	God Good	Ringe Low	Ringe Low
(1) Bestandighed overfor opløsningsmidler (1) Solvent Resistance	Ringe Low	Ringe Low	God Good	God Good	(3) Tilfredsstillende (3) Satisfactory
(4) Temperaturbestandighed °C (4) Temperature Stability in °C	-40 til +80° -40 to +80°	-30 til +80° -30 to +80°	-30 til +100° -30 to +100°	-25 til +100° -25 to +100°	-40 til +100° -40 to +100°
Ozonbestandighed Ozone Resistance	Tilfredsstillende Satisfactory	Tilfredsstillende Satisfactory	Tilfredsstillende Satisfactory	Meget god Very good	Udmærket Excellent
Vejrbestandighed General Climate Resistance	God Good	God Good	God Good	Meget god Very good	Udmærket Excellent
Gasugennemtrængelighed Gas Impermeability	Tilfredsstillende Satisfactory	Tilfredsstillende Satisfactory	God Good	God Good	Tilfredsstillende Satisfactory
(2) Modstand mod blivende deformation (2) Resistance to permanent set	Meget god Very good	God Good	God Good	God Good	God Good
Bindekraft til metal Adhesion to metal	Udmærket Excellent	Meget god Very good	Tilfredsstillende Satisfactory	God Good	Tilfredsstillende Satisfactory
Bindekraft til tekstiler Adhesion to textile	Udmærket Excellent	God Good	Tilfredsstillende Satisfactory	Udmærket Excellent	Tilfredsstillende Satisfactory

(1) = På grund af mange mulige kemikalier, opløsningsmidler, arbejdstemperaturer og arbejdstider kan de oplyste værdier, i enkelte tilfælde, udvise forandringer. Især kan en elastomertype, som normalt udviser ringe bestandighed, udvise en meget god resistens overfor bestemte medier.

(2) = Ved relative lave h.h.v. høje temperaturer reduceres modstanden normalt.

(3) = God udvidelsesbestandighed overfor forskellige blødgørere.

(4) = Det drejer sig om grænseværdier, som kan svinge alt efter sammensætningen af blandingen. Vedvarende indsætning i grænseområderne ændrer de fysiske værdier. Til ekstreme påvirkninger kræves særlige elastomere-blandinger.

(1) = In view of the multitude of chemicals, solvents, application temperatures and times, the value quoted may vary in some cases. For example one type of elastomer, which normally has only low resistance properties, could show very good resistance to certain media.

(2) = At relatively high or low temperatures, resistance generally drops.

(3) = Good expansion resistance to various ester based plasticizers.

(4) = These are borderline values which, depending on composition of the mixture, can vary. If used permanently in such borderline areas, this can lead to a change in the physical values. For such extreme applications it is advisable to use special elastomer mixtures.

Silikone / Silicone

Egenskaber

Arbejdstemperatur (standarddele):
-50° C do +180° C / +250° C

Arbejdstemperatur (specialdele):
-90° C do +315° C

Forlængelse:
300 - 800%

Hårdhed:
25 - 80 Shore A

Sammenbrudsspænding:
23 kV (VDE 0303)

Materialer til specifikke applikationer
Høj kemikalieresistens
God dæmpning af høj- og lavfrekvent vibrationer
Silikonogummiprodukter er smagløse og lugtfrie
Modstandsdygtig over for aldring og vejrforhold

Farver
Farven på silikonprodukter kan vælges til en given applikation:
Fra gennemsigtig til sort i overensstemmelse med RAL, inklusiv metalfarver (aluminium, stål, messing)
Farverne er kendetegnet ved livlighed og holdbarhed.

Se silikonbestandighedstabel på hjemmesiden.

Characteristics

Working temperature (standard compounds):
-50° C do +180° C / +250° C

Working temperature (specific compounds):
-90° C do +315° C

Elongation:
300-800%

Hardness:
25 do 80 Shore A

Breakdown voltage:
23 kV (VDE 0303)

Materials for specific applications
High chemical resistance
Good damping of high and low frequency vibrations
Silicon rubber products are tasteless and odourless
Resistance to ageing and weather conditions

Colors
The colour of silicon products can be suitably chosen for the particular application: from transparent to black, in accordance to RAL, including metallic colours (aluminium, steel, brass).
The colours feature of vividness and durability

Find the silicone table of resistance on our homepage.

Silikonekvaliteter / Silicone grades

Kode / Code	Shore A	Farve / Color
STQ - Teknisk kvalitet STQ - Technical grade	15 - 75	Gennemsigtig, pigmenterbar Transparent, pigmentable
ELQ - Elektrisk ledende ELQ - Electric conductive	70	Sort Black
FLQ - Fuorosilicone FLQ - Fuorosilicone	60	Gennemsigtig, pigmenterbar Transparent, pigmentable
HTQ - Varmeresistent HTQ - Heat resistant	45 - 65	Uigennemsigtig, pigmenterbar Opaque, pigmentable
OLQ - Oliebestandig OLQ - Oil resistant	40 - 80	Uigennemsigtig, pigmenterbar Opaque, pigmentable
PTQ - Platin hærdet PTQ - Platinum cured	70	Gennemsigtig, pigmenterbar Transparent, pigmentable
SB2Q - Brændhæmmende SB2Q - Flame retardant	15 - 75	Gennemsigtig, pigmenterbar Transparent, pigmentable
TRQ - Rivebestandig TRQ - Tear resistant	70	Gennemsigtig, pigmenterbar Transparent, pigmentable
WDQ - Dampresistent WDQ - Steam resistant	55	Uigennemsigtig, pigmenterbar Opaque, pigmentable
WDSTQ - Forbedret dampresistent WDSTQ - Steam resistant improved	15 - 75	Uigennemsigtig, pigmenterbar Opaque, pigmentable
SPQ-1-30 Svamp SPQ-1-30 Sponge	17	Gennemsigtig, pigmenterbar Transparent, pigmentable
SPQ-2-30 Svamp SPQ-2-30 Sponge	14	Gennemsigtig, pigmenterbar Transparent, pigmentable

Dimensional tolerances for moulded, extruded and calendered solid rubber products. (GB/T 3672-92) ISO3302-1998.

Rubber thickness (mm)	E1 ± (mm)	E2 ± (mm) Solid	E3 ± (mm) Sponge-rubber
0 - 1,5	0,15	0,25	0,4
1,5 - 2,5	0,2	0,35	0,5
2,5 - 4	0,25	0,4	0,65
4 - 6,3	0,35	0,5	0,8
6,3 - 10	0,4	0,65	1
10 - 16	0,5	0,8	1,3
16 - 25	0,65	1	1,6
25 - 40	0,8	1,3	2
40 - 63	1	1,6	2,5
63 - 100	1,3	2	3,2

E = ekstrudering. Øvrige kvaliteter er til støbte artikler.
E = extrusion. Other grades are for molded articles.

Se silikonebestandighedstabel på hjemmesiden.
Find chemical resistance of silicone rubber on our homepage.

Plasttyper / Plastic types

POM, PVC

Kemisk betegnelse Chemical Nomenclature	Polyoxymethylene	Polyvinylchlorid
Navnefortegnelse Abbreviation	POM	PVC
(1) Kemisk bestandighed (1) Chemical Resistance	God Good	God Good
(1) Oliebestandighed (1) Oil Resistance	Meget god Very good	God Good
(1) Bestandighed overfor benzin (1) Petrol Resistance	Meget god Very good	Ingen None
Ozonbestandighed Ozone Resistance	Ingen None	Meget god Very good
Svovlsyre bestandighed Sulfuric acid resistance	Ingen None	Ingen None
(4) Temperaturbestandighed °C Temperature Stability in °C	Ca. -40 til +100° C	Ca. -10 til +60° C
Egenskaber	Gode mekaniske egenskaber Slidbestandig Dimensionsstabil	God mekanisk vurdering God svejse/vedhæft egenskaber Bliver hårdere i benzin og olie

TPE

Kemisk betegnelse Chemical Nomenclature	Termoplastiske elastomerer	
Type / kvalitet	TPE gennemsigtig	TPE normal
Hårdhed Shore	55 Sh A - 50 Sh D	60 Sh A - 50 Sh D
Temperaturbestandighed °C	-50 til +125° C	-50 til +125° C
Egenskaber	Fremragende vejrbestandighed. God kemisk bestandighed (Undtagen ved organisk opløsningsmiddel, aromatiske- og vegetabiliske olier).	

(1) = På grund af mange mulige kemikalier, opløsningsmidler, arbejdstemperaturer og arbejdstider kan de oplyste værdier, i enkelte tilfælde, udvise forandringer. Især kan en elastomeretype, som normalt udviser ringe bestandighed, udvise en meget god resistens overfor bestemte medier.

(2) = Ved relative lave h.h.v. høje temperaturer reduceres modstanden normalt.

(3) = God udvidelsesbestandighed overfor forskellige blødgørere.

(4) = Det drejer sig om grænseværdier, som kan svinge alt efter sammensætningen af blandingen. Vedvarende indsætning i grænseområderne ændrer de fysiske værdier. Til ekstreme påvirkninger kræves særlige elastomere-blandinger.

(1) = In view of the multitude of chemicals, solvents, application temperatures and times the value quoted may vary in some cases. For example one type of elastomer which normally has only low resistance properties could show very good resistance to certain media.

(2) = At relatively high or low temperatures, resistance generally drops.

(3) = Good expansion resistance to various ester based plasticizers.

(4) = These are borderline values which, depending on composition of the mixture, can vary. If used permanently in such borderline areas, this can lead to a change in the physical values. For such extreme applications it is advisable to use special elastomer mixtures.

Varenummerindeks

20.6020.....	132	30.0192-4756.....	134	30.145.....	31	30.6622N.....	47	30.9996-10.....	26	32.036S.....	55
20.6025.....	132	30.0192-4792.....	134	30.145W.....	31	30.6648.....	28	30.9996-4.....	34	32.036X.....	55
20.6030.....	132	30.0192-4906.....	134	30.14803.....	104	30.6648G.....	28	30.9996-5.....	34	32.044S.....	55
20.6120.....	132	30.0192-4926.....	134	30.148S.....	52	30.6648S.....	28	30.9996-6.....	34	32.046S.....	55
20.6125.....	132	30.0192-4947.....	134	30.15005E.....	25	30.6705E.....	25	30.E368.....	68	32.047.....	55
20.6130.....	132	30.0192-4973.....	135	30.15005KE.....	25	30.6710E.....	25	30.OT0136.....	48	32.057.....	56
30.0192-0374.....	135	30.10003K.....	25	30.15170.....	30	30.6724.....	47	30.OT101.....	52	32.064S.....	56
30.0192-0431.....	135	30.10005E.....	25	30.16239.....	34	30.6944.....	28	30.OT1024.....	26	32.066.....	56
30.0192-0459.....	135	30.10036.....	34	30.16688.....	32	30.7106.....	29	30.OT1024B.....	26	32.075.....	56
30.0192-0460.....	135	30.10461-2.....	33	30.16977.....	33	30.7249.....	32	30.OT1057.....	52	32.095S.....	56
30.0192-10142.....	135	30.10485.....	33	30.174S.....	52	30.7266.....	32	30.OT10644.....	30	32.1024S.....	55
30.0192-10318.....	135	30.10777-1.....	48	30.176.....	53	30.7300.....	28	30.OT1080.....	53	32.1025S.....	55
30.0192-10322.....	134	30.11393.....	46	30.180.....	53	30.7300/4.....	28	30.OT1081.....	53	32.1025SK.....	55
30.0192-10358.....	135	30.11459.....	47	30.182.....	52	30.7300/4Y.....	28	30.OT1092.....	33	32.1037S.....	56
30.0192-10389.....	135	30.11580.....	50	30.190.....	30	30.7367.....	25	30.OT1387.....	30	32.1045S.....	56
30.0192-10519.....	135	30.11774.....	48	30.2005E.....	25	30.7408X.....	52	30.OT2036.....	52	32.1045SK.....	55
30.0192-10680.....	134	30.11905.....	32	30.211.04.385.....	50	30.7411.....	31	30.OT3271.....	53	32.1301.....	59
30.0192-10927.....	134	30.11911.....	49	30.21101205.....	49	30.7505E.....	25	30.OT3272.....	30	32.1307S.....	57
30.0192-10947.....	135	30.1201KE.....	25	30.21202300.....	32	30.7507.....	33	30.OT3334.....	53	32.1640.....	56
30.0192-10963.....	134	30.12553-2.....	30	30.2151.....	28	30.7508.....	48	30.OT3354.....	29	32.165.....	56
30.0192-10966.....	134	30.12759.....	25	30.2151S.....	28	30.7509.....	48	30.OT3394.....	46	32.2024CR.....	55
30.0192-11007.....	134	30.12896.....	48	30.216S.....	26	30.7519.....	49	30.OT3440.....	48	32.2024M.....	55
30.0192-11016.....	134	30.12932-1.....	48	30.218S.....	26	30.7519NBR.....	49	30.shore20-90.....	143	32.2045M.....	55
30.0192-11093.....	135	30.12932-2.....	32	30.220L.....	26	30.7559.....	29	30.shoreA.....	143	32.255S.....	56
30.0192-11137.....	135	30.12957-1.....	26	30.22381.....	52	30.7613.....	29	30.shoreD.....	143	32.300X.....	59
30.0192-11278.....	135	30.12957-2.....	26	30.2310E.....	25	30.762.....	32	30.SM251.....	53	32.301X.....	59
30.0192-11342.....	135	30.12957-3.....	27	30.2438.....	31	30.7645.....	29	30.WI660.....	25	32.309X.....	59
30.0192-11385.....	135	30.13049-1.....	32	30.2455.....	48	30.7648.....	29	30.WI747.....	25	32.409X.....	59
30.0192-11484.....	134	30.13049-2.....	32	30.2505E.....	25	30.7649.....	27	31.018S.....	46	32.512.....	56
30.0192-11527.....	134	30.13049-4.....	32	30.2525E.....	25	30.7649-12.....	27	31.018X.....	46	32.514S.....	56
30.0192-11550.....	135	30.13049-5.....	32	30.2566.....	28	30.7649-8.....	27	31.021S.....	46	32.516S.....	56
30.0192-11800.....	134	30.13062.....	31	30.257S.....	28	30.7650.....	27	31.022S.....	46	32.523S.....	56
30.0192-11937.....	135	30.13066.....	104	30.258.....	28	30.7651.....	29	31.025S.....	46	32.527.....	56
30.0192-11991.....	135	30.13086.....	47	30.262S.....	25	30.7652.....	26	31.035S.....	50	32.7125.....	57
30.0192-12300.....	135	30.13144XX.....	67	30.2653.....	28	30.7663.....	31	31.036SI.....	50	32.7195S.....	57
30.0192-12398.....	135	30.13186-1.....	87	30.29300-129.....	32	30.7696.....	25	31.036SI-LTC.....	50	32.754S.....	56
30.0192-12418.....	134	30.13186-2.....	87	30.29300-130.....	32	30.7770.....	29	31.037.....	50	32.795S.....	57
30.0192-12442.....	135	30.13186-3.....	87	30.2984-1.....	49	30.7780/4.....	28	31.037SI.....	49	32.8517.....	30
30.0192-12465.....	135	30.13186-4.....	87	30.2984-2.....	49	30.7811.....	32	31.038SI.....	50	32.8518.....	30
30.0192-12642.....	134	30.13186-5.....	87	30.2984-3.....	49	30.7845.....	33	31.040.....	50	32.8518W.....	30
30.0192-1345.....	135	30.13186-6.....	87	30.2984-5.....	49	30.7853X.....	26	31.041S.....	46	32.8520.....	30
30.0192-1494.....	135	30.13186-7.....	87	30.2984-6.....	49	30.7932.....	26	31.042S.....	46	32.866.....	57
30.0192-1744.....	135	30.13186-8.....	88	30.3003E.....	25	30.7933.....	26	31.043S.....	47	32.924.....	55
30.0192-1768.....	135	30.13242.....	34	30.3006E.....	25	30.7935.....	26	31.047.....	46	32.924K.....	59
30.0192-1881.....	135	30.13315.....	68	30.313.....	29	30.798.....	30	31.048.....	49	33.000.....	16
30.0192-1949.....	135	30.13421.....	29	30.314S.....	29	30.7987.....	48	31.050.....	49	33.019.....	13
30.0192-2029.....	135	30.13447-8.....	31	30.315S.....	29	30.8199.....	28	31.060S.....	46	33.020.....	12
30.0192-2067.....	135	30.13503.....	33	30.315SB.....	29	30.8199W.....	28	31.061S.....	47	33.021.....	7
30.0192-2076.....	134	30.13535.....	48	30.324S.....	27	30.8270.....	30	31.063.....	46	33.022.....	13
30.0192-2364.....	135	30.136/45.....	52	30.324SB.....	27	30.8331.....	31	31.064.....	47	33.024.....	12
30.0192-2408.....	135	30.136.....	52	30.325X.....	27	30.8439.....	55	31.065S.....	47	33.025.....	9
30.0192-2819.....	134	30.136NBR.....	52	30.3305E.....	25	30.8469.....	27	31.066.....	47	33.026.....	15
30.0192-2845.....	135	30.13708.....	52	30.3310E.....	25	30.8538.....	53	31.068S.....	47	33.026X.....	15
30.0192-2969.....	134	30.13796.....	33	30.331.....	26	30.8538B.....	53	31.070S.....	48	33.026XA.....	15
30.0192-3161.....	134	30.13841.....	29	30.333X.....	27	30.9215.....	33	31.071S.....	48	33.094X.....	6
30.0192-3214.....	134	30.1386.....	48	30.340.....	31	30.9387-1.....	34	31.074S.....	48	33.1153A.....	6
30.0192-3365.....	135	30.138NBR.....	52	30.4003E.....	25	30.9387-2.....	33	31.112S.....	57	33.1153GA.....	6
30.0192-3375.....	134	30.138S.....	52	30.4437.....	31	30.9437-100.....	34	31.116S.....	57	33.1154.....	7
30.0192-3414.....	134	30.140.....	52	30.4469.....	33	30.9437-125.....	34	31.145S.....	57	33.1155.....	7
30.0192-3415.....	134	30.14053.....	29	30.5003E.....	25	30.9437-160.....	34	31.148.....	57	33.1156.....	7
30.0192-3497.....	135	30.14098-2.....	27	30.5003K.....	25	30.9437-200.....	34	31.155.....	57	33.12116.....	12
30.0192-3551.....	135	30.14130.....	30	30.5004E.....	25	30.9437-250.....	34	31.216GS.....	47	33.200POMX.....	21
30.0192-3588.....	135	30.141.....	31	30.5005E.....	25	30.9437-315.....	34	31.216ST.....	47	33.201POM.....	21
30.0192-3616.....	135	30.14163-1.....	30	30.5010E.....	25	30.9437-400.....	35	31.365.....	57	33.201POMX.....	21
30.0192-3693.....	135	30.14163.....	31	30.50967.....	29	30.9437-500.....	35	31.369.....	30	33.203POMX.....	21
30.0192-3739.....	134	30.14226.....	26	30.5179.....	31	30.9519.....	48	31.4281.....	81	33.211POMX.....	21
30.0192-3845.....	135	30.14227.....	49	30.5550M.....	28	30.9548.....	46	31.6701.....	57	33.213POMX.....	21
30.0192-3877.....	134	30.14253.....	27	30.5560.....	28	30.9691-2.....	25	31.6702.....	57	33.214POM.....	21
30.0192-3900.....	135	30.1428.....	30	30.5596.....	33	30.9691-3.....	27	31.6703.....	57	33.216POMX.....	21
30.0192-4588.....	134	30.142S.....	31	30.5808E.....	25	30.9691-5.....	25	31.702.....	33	33.220POM.....	21
30.0192-4626.....	135	30.14356.....	49	30.5881.....	27	30.9826-1.....	34	31.OT2179.....	53	33.306.....	5
30.0192-4633.....	134	30.144.....	31	30.5981.....	28	30.9826-2.....	34	32.009S.....	59	33.307A.....	5
30.0192-4634.....	134	30.14507-1.....	47	30.6487.....	53	30.9884S.....	68	32.010.....	59	33.308A.....	5
30.0192-4690.....	135	30.14507-2.....	47	30.6502.5E.....	25	30.9884X.....	50	32.016S.....	55	33.308POMX.....	21
30.0192-4733.....	134	30.14507-3.....	49	30.6622.....	47	30.9885.....	50	32.034S.....	55	33.308POMXG.....	21

Varenummerindeks

33.309XM.....	5	33.408X.....	10	33.462R.....	16	34.603.....	75	35.1510K.....	63	35.4012K.....	63
33.310ALU.....	16	33.409.....	5	33.463.....	10	34.603G.....	75	35.1512.....	62	35.4020.....	62
33.310SS.....	5	33.401G.....	5	33.464.....	13	34.604.....	75	35.1512K.....	63	35.4020K.....	63
33.310SS-316.....	5	33.409ALU.....	16	33.465B.....	14	34.606.....	77	35.1515.....	62	35.4030.....	62
33.310X.....	5	33.409F.....	5	33.465C.....	14	34.606X.....	77	35.1515K.....	63	35.4030K.....	63
33.311.....	18	33.409POMX.....	21	33.465X.....	14	34.607.....	77	35.1605.....	62	35.4035.....	62
33.312.....	18	33.410X.....	5	33.466.....	13	34.607X.....	77	35.1605K.....	63	35.4035K.....	63
33.319.....	11	33.410XG.....	5	33.468B.....	7	34.608X.....	77	35.1608.....	62	35.4040.....	62
33.319F.....	11	33.411.....	6	33.468F.....	7	34.609X.....	77	35.1608K.....	63	35.4040K.....	63
33.320.....	13	33.414.....	6	33.468X.....	7	34.613.....	75	35.1708K.....	63	35.4505.....	62
33.321.....	12	33.415.....	6	33.469X.....	8	34.614.....	75	35.1803K.....	63	35.4505K.....	63
33.323.....	11	33.416.....	104	33.470.....	12	34.620010.....	75	35.18053K.....	63	35.5005.....	62
33.324CR.....	11	33.417TPEX.....	21	33.471.....	15	34.620040.....	75	35.1809K.....	63	35.5006.....	62
33.326.....	13	33.418SS.....	5	33.472.....	15	34.620140.....	76	35.1904K.....	63	35.5006K.....	63
33.328.....	13	33.418X.....	6	33.473.....	15	34.620210.....	75	35.2003.....	62	35.5010.....	62
33.331.....	13	33.419.....	6	33.474.....	15	34.62039.....	76	35.2003K.....	63	35.5010E.....	62
33.332B.....	13	33.419A.....	6	33.475.....	14	34.62040.....	76	35.2005.....	62	35.5010K.....	63
33.332X.....	12	33.420F.....	6	33.478.....	13	34.62041.....	76	35.2005K.....	63	35.5020K.....	63
33.333.....	12	33.420FX.....	6	33.479.....	14	34.620420.....	76	35.20055.....	62	35.6002K.....	63
33.335.....	12	33.420H.....	5	33.480.....	11	34.62105.....	75	35.20055K.....	63	35.6010.....	62
33.338F.....	11	33.420X.....	5	33.481.....	8	34.62110.....	76	35.2006K.....	63	35.6040.....	62
33.339X.....	12	33.422.....	5	33.482.....	14	34.624.....	76	35.2010.....	62	35.8020K.....	63
33.340.....	13	33.424.....	21	33.483.....	14	34.625.....	76	35.2010K.....	63	36.0505.....	64
33.352.....	8	33.424TPEX.....	21	33.506.....	11	34.626.....	76	35.2010KL.....	63	36.0806.....	64
33.353.....	8	33.426.....	7	33.510.....	18	34.62610S.....	76	35.2012.....	62	36.1003.....	64
33.353NBR.....	8	33.426A.....	6	33.511.....	18	34.62713H.....	77	35.2012K.....	63	36.1005.....	64
33.353S.....	8	33.426GA.....	6	33.512.....	18	34.62713S.....	77	35.2015.....	62	36.1005G.....	64
33.353X.....	8	33.426X.....	7	33.513.....	18	34.636.....	76	35.2015K.....	63	36.1005X.....	64
33.354.....	7	33.426XA.....	6	33.514.....	18	34.637.....	76	35.2018.....	62	36.1006SIH.....	65
33.355B.....	10	33.427X.....	6	33.515.....	18	34.641.....	75	35.2020.....	62	36.1007.....	64
33.357X.....	8	33.428.....	7	33.516.....	18	34.643.....	75	35.2020K.....	63	36.1007X.....	64
33.358B.....	7	33.428G.....	7	33.517.....	18	34.644.....	75	35.2207K.....	63	36.1008.....	64
33.358C.....	7	33.429.....	18	33.518.....	18	34.676S.....	77	35.2502.....	62	36.1010.....	64
33.358X.....	7	33.430.....	7	33.519.....	18	34.677.....	77	35.2505.....	62	36.1010CR.....	64
33.359X.....	8	33.431A.....	18	33.520.....	18	34.678.....	77	35.2505K.....	63	36.1010E.....	63
33.360.....	9	33.432.....	5	33.521.....	18	34.7102-50.....	75	35.2506.....	62	36.1010SIH.....	65
33.360F.....	9	33.432ALU.....	16	33.522X.....	19	34.7196.....	75	35.2508K.....	63	36.1010X.....	64
33.360NBR.....	9	33.433.....	7	33.523.....	19	34.7199.....	76	35.2510.....	62	36.102.5.....	61
33.360R.....	9	33.434.....	6	33.524.....	19	34.7514.....	76	35.2510K.....	63	36.1025E.....	61
33.360X.....	9	33.435X.....	6	33.525.....	19	34.7528-2.....	32	35.2515.....	62	36.102.....	61
33.362.....	9	33.436.....	15	33.526.....	19	34.7528-2H.....	31	35.2515K.....	63	36.102E.....	61
33.362C.....	9	33.438.....	5	33.527.....	19	35.0806.....	62	35.2520.....	62	36.103.....	61
33.362D.....	9	33.439A.....	15	33.528.....	19	35.0806K.....	63	35.2520K.....	63	36.103CR.....	61
33.362E.....	9	33.442.....	15	33.529.....	19	35.0808K.....	63	35.2525.....	62	36.103E.....	61
33.362F.....	9	33.443X.....	15	33.530.....	19	35.10020K.....	63	35.2525K.....	63	36.1035E.....	61
33.362FX.....	8	33.444A.....	11	33.531.....	19	35.1003.....	62	35.2806K.....	63	36.104.....	61
33.365X.....	9	33.444X.....	11	33.532.....	19	35.1003K.....	63	35.3003K.....	63	36.104CR.....	61
33.367.....	9	33.447.....	13	33.611.....	103	35.1004.....	62	35.3005.....	62	36.1045E.....	61
33.369.....	8	33.449.....	12	33.613.....	103	35.1004K.....	63	35.3005K.....	63	36.105CR.....	61
33.370NBR.....	8	33.450NBR.....	11	33.615.....	103	35.1005.....	62	35.3006K.....	63	36.105E.....	61
33.371E.....	8	33.451E.....	12	33.621.....	103	35.1005K.....	63	35.3007.....	62	36.106.....	61
33.371F.....	8	33.452R.....	12	33.623.....	103	35.1007.....	62	35.3007K.....	63	36.106CR.....	61
33.371FX.....	8	33.452X.....	13	33.624.....	104	35.1007K.....	63	35.3010.....	62	36.106E.....	61
33.371X.....	8	33.453X.....	13	33.625.....	104	35.1008.....	62	35.3010K.....	63	36.106EG.....	61
33.372X.....	11	33.454X.....	12	33.670.....	103	35.1008K.....	63	35.3012.....	62	36.106ESP.....	61
33.374.....	9	33.455.....	13	33.671.....	103	35.1010.....	62	35.3012K.....	63	36.107CR.....	61
33.375.....	10	33.456.....	12	33.672.....	103	35.1010K.....	63	35.3015.....	62	36.107E.....	61
33.376.....	9	33.456F.....	13	33.673.....	104	35.1203.....	62	35.3015K.....	63	36.108.....	61
33.377.....	9	33.457.....	11	33.674.....	104	35.1203K.....	63	35.3020.....	62	36.108CR.....	61
33.378.....	10	33.457S-4.....	12	33.675.....	104	35.1204K.....	63	35.3020K.....	63	36.108E.....	61
33.379.....	10	33.457S-6.....	12	33.676.....	104	35.1204KL.....	63	35.3025.....	62	36.108EG.....	61
33.380.....	10	33.457ST.....	11	33.9779.....	10	35.1206K.....	63	35.3025K.....	63	36.109E.....	61
33.381.....	11	33.458A.....	14	34.018X.....	46	35.1208K.....	63	35.3030.....	62	36.110.....	61
33.382.....	14	33.458X.....	14	34.031X.....	46	35.1209.....	62	35.3030K.....	63	36.110CR.....	61
33.383.....	15	33.459B.....	14	34.035.....	47	35.1209K.....	63	35.3505.....	62	36.110E.....	61
33.395A.....	10	33.459P.....	14	34.117/6.....	49	35.1212.....	62	35.3505K.....	63	36.111E.....	61
33.395F.....	11	33.459X.....	14	34.14334X.....	46	35.1212K.....	63	35.3510.....	62	36.112.....	61
33.395X.....	10	33.460-2C.....	14	34.3011.....	76	35.1503.....	62	35.3510K.....	63	36.112CR.....	61
33.395XA.....	10	33.460-2F.....	14	34.3020.....	76	35.1503K.....	63	35.3535.....	62	36.112E.....	61
33.395XX.....	10	33.460-2X.....	14	34.3032.....	75	35.1504K.....	63	35.3535K.....	63	36.112EG.....	61
33.396.....	11	33.460-4X.....	15	34.3546.....	32	35.1505K.....	63	35.4003K.....	63	36.115.....	61
33.398.....	10	33.460-6X.....	15	34.601.....	75	35.1506K.....	63	35.4005.....	62	36.115CR.....	61
33.403.....	10	33.460-6XL.....	15	34.601G.....	75	35.1507.....	62	35.4005K.....	63	36.117E.....	61
33.403F.....	10	33.460-6XLPOM.....	21	34.602.....	75	35.1507K.....	63	35.4010.....	62	36.118CR.....	61
33.407X.....	10	33.462.....	15	34.602G.....	75	35.1510.....	62	35.4010K.....	63	36.119CR.....	61

Varenummerindeks

36.1204SIHKF.....65	36.2318X.....64	36.4015E.....63	36.63010.....73	36.731210.....69	38.27700015.....73
36.1205.....64	36.2502CR.....73	36.4020CR.....64	36.63012.....73	36.731210H.....69	38.27700020.....73
36.120.....61	36.2503.....64	36.4020E.....63	36.63030CR.....73	36.731412D.....69	38.27700025.....73
36.1206.....64	36.2505.....64	36.4020X.....64	36.63204CR.....73	36.732115.....69	38.345522.....122
36.120CR.....61	36.2505SIH.....65	36.4025.....64	36.64003.....73	36.740907H.....68	38.400-2.....110
36.120E.....61	36.2505SIHF.....65	36.4025E.....63	36.64004CR.....64	36.80955S.....68	38.400-3.....110
36.1210.....64	36.2505X.....64	36.4030E.....63	36.64005.....73	36.90810.....68	38.400-4.....110
36.1210E.....63	36.2507X.....64	36.5005CR.....64	36.64005CR.....73	36.9086S.....68	38.400-5.....110
36.1210X.....64	36.2508X.....64	36.5005SIH.....65	36.64010.....73	36.9088S.....68	38.400-6.....110
36.1212SIH.....65	36.2510.....64	36.5005X.....64	36.64015.....73	36.92117.....69	38.400-6/650.....110
36.1212X.....64	36.2510E.....63	36.5010.....64	36.64020.....73	36.B380.....67	38.400-8.....110
36.122CR.....61	36.2510SIH.....65	36.5010X.....64	36.65003.....73	36.K608.....66	38.400-10.....110
36.122E.....61	36.2512X.....64	36.5020.....64	36.65005CR-5952.....73	36.K613.....66	38.400-12.....110
36.125.....61	36.2515.....64	36.5020E.....63	36.65005CR.....73	36.K616.....66	38.400-15.....110
36.125E.....61	36.2515SIH.....65	36.5025.....64	36.65007CR.....73	36.K671.....66	38.400-20.....110
36.12511X.....64	36.2520.....64	36.5030.....64	36.65010.....73	36.K675.....66	38.400-25.....110
36.130.....61	36.2520E.....63	36.6020NBR.....65	36.6600.....73	36.K676.....66	38.401-2.....110
36.130EX.....61	36.2520SIH.....65	36.6030E.....63	36.66004.....73	36.K677.....66	38.401-3.....110
36.135E.....61	36.2520SIS.....65	36.60403.....73	36.67502.....73	36.K678.....66	38.401-4.....110
36.1406X.....64	36.2525.....64	36.60404.....73	36.68005CR-5952.....73	36.K679.....66	38.401-5.....110
36.14044.....67	36.2525E.....63	36.60405.....73	36.68005CR.....73	36.K680.....66	38.401-6.....110
36.1503.....64	36.2525SIH.....65	36.60503.....73	36.7003.....61	36.K681.....66	38.401-10.....110
36.1503E.....63	36.27007506.....73	36.60503CR.....64	36.7004.5X.....61	36.K683.....66	38.401-15.....110
36.1505E.....63	36.3003.....64	36.60505.....73	36.7004.....61	36.K695.....67	38.401-20.....110
36.1505SIH.....65	36.3003X.....64	36.60605.....73	36.7005.....61	36.K697.....67	38.402-0,5.....111
36.1505SIHF.....65	36.3005.....64	36.60802.....73	36.7005X.....61	36.K698.....67	38.402-1X.....111
36.1505X.....64	36.3005SIHK.....65	36.60802CR.....73	36.7006.....61	36.K852.....67	38.402-2X.....111
36.1507X.....64	36.3005SIHKF.....65	36.60803.....73	36.7006X.....61	36.K853.....67	38.402-3X.....111
36.1510.....64	36.3005X.....64	36.60804.....73	36.7007X.....61	37.221/1G.....113	38.402-4X.....111
36.1510E.....63	36.3006X.....64	36.60804CR.....73	36.7008.5X.....61	37.250.....117	38.402-5X.....111
36.1512.....64	36.3010.....64	36.60805.....73	36.7008.....61	37.250X.....117	38.402-8X.....111
36.1512E.....63	36.3010E.....63	36.60808.....73	36.7008X.....61	37.251.....117	38.403-2.....111
36.1512SIH.....65	36.3010SIH.....65	36.60808CR.....73	36.7009.....61	37.251X.....117	38.403-3.....111
36.1515.....64	36.3015.....64	36.61001.....73	36.7009X.....61	37.260.....123	38.403-4.....111
36.1515SIH.....65	36.3015CR.....64	36.61002.....73	36.7010.....61	37.261.....123	38.403-5.....111
36.1604.....64	36.3015X.....64	36.61003.....73	36.7010X.....61	37.262.....123	38.403-6.....111
36.1605.....64	36.3020.....64	36.61003CR.....73	36.7010.5X.....61	37.263.....123	38.403-8.....111
36.1610SIH.....65	36.3020SIH.....65	36.61004.....73	36.7011X.....61	37.270.....123	38.404-2.....111
36.1612E.....63	36.3020X.....64	36.61005.....73	36.7011.5X.....61	37.280.....123	38.404-3.....111
36.1612X.....64	36.3025E.....63	36.61008.....73	36.7012.....61	37.400.....123	38.404-4.....111
36.1616SIHF.....65	36.3030.....64	36.61010.....73	36.7012X.....61	38.1215.....125	38.404-5.....111
36.1808G.....64	36.3305X.....64	36.61010CR.....73	36.7014X.....61	38.1215N.....125	38.404-6.....111
36.1808KX.....63	36.3314.....62	36.61203.....73	36.7015.....61	38.14124.....124	38.404-8.....111
36.1815EG.....63	36.3315.....67	36.61204.....73	36.7018X.....61	38.14572.....124	38.404-10.....111
36.1816.....64	36.3351.....67	36.61205.....73	36.7028X.....61	38.14574.....124	38.404-12.....111
36.197.....62	36.3354.....67	36.61310.....73	36.7050.....61	38.152EPDM.....66	38.404-15.....111
36.198.....62	36.34155105.....61	36.61502.....73	36.7064X.....61	38.153EPDM.....66	38.404-20.....111
36.198A.....62	36.3416068.....61	36.61503.....73	36.720802.....71	38.154EPDM.....66	38.405-6.....111
36.198CR.....62	36.341840.....61	36.61505.....73	36.720803.....71	38.155EPDM.....66	38.405-8.....111
36.198S.....62	36.342026.....61	36.61506.....73	36.720903.....71	38.156EPDM.....66	38.405-10.....111
36.199.....62	36.342030.....61	36.61508.....73	36.720904.....71	38.158EPDM.....66	38.405-10X.....111
36.200.....62	36.342226.....61	36.61510.....73	36.721004.....71	38.160E/K.....73	38.405-15.....111
36.2002.....64	36.342232.....61	36.61512.....73	36.721004-6.....71	38.160EPDM.....66	38.405-20.....111
36.2003.....64	36.342433.....61	36.61518.....73	36.721005.....71	38.162EPDM.....66	38.405-40.....111
36.2003SIH.....65	36.342529.....61	36.61530.....73	36.721006.....71	38.165EPDM.....66	38.407-3.....113
36.2005.....64	36.342840.....61	36.61603.....73	36.721202.....71	38.170E/K.....73	38.407-3C.....113
36.2005CR.....73	36.344511.....61	36.61609CR.....73	36.721203.....71	38.170EPDM.....66	38.407-3G.....113
36.2005SIHF.....65	36.3504.....67	36.61710.....73	36.7213564.....71	38.175E/K.....73	38.407-3X.....113
36.2005X.....64	36.3515X.....64	36.61808.....73	36.721503.....71	38.175EPDM.....66	38.407-3XL.....113
36.2008X.....64	36.3516.....64	36.62002.....73	36.721504.....71	38.180NR.....66	38.410200.....120
36.2010.....64	36.3520E.....63	36.62002CR.....73	36.721508.....71	38.188.....73	38.410201.....120
36.2010CR.....64	36.3520X.....64	36.62003.....73	36.721508B.....71	38.189.....73	38.410202.....120
36.2010E.....63	36.3704.....67	36.62004.....73	36.722004.....71	38.190.....73	38.410203.....120
36.2010SIH.....65	36.3813.....67	36.62004CR.....73	36.730805H.....68	38.191.....73	38.418.....114
36.2010SIHK.....65	36.3881.....67	36.62005.....73	36.730808.....68	38.201.5.....125	38.418N.....114
36.2010SIS.....65	36.3881S.....67	36.62008.....73	36.730810.....68	38.202.....125	38.419A.....115
36.2010X.....64	36.3882.....67	36.62010.....73	36.730906.....68	38.203.....125	38.419C.....115
36.2015.....64	36.3897.....68	36.62020.....73	36.730906H.....68	38.205.....125	38.420CX.....115
36.2015SIH.....65	36.4005SIHK.....65	36.62305.....73	36.730907.....68	38.27700002.....73	38.420X.....115
36.2020.....64	36.4010.....64	36.62502.....73	36.730907G.....68	38.27700003.....73	38.420XL.....115
36.2020CR.....64	36.4010E.....63	36.62506.....73	36.730907H.....68	38.27700004.....73	38.422-1350.....123
36.2020SIH.....65	36.4010X.....64	36.62510.....73	36.730955.....68	38.27700005.....73	38.422-1650.....123
36.2020SIHF.....65	36.4012.....64	36.62525.....73	36.730955G.....68	38.27700006.....73	38.422-1750.....123
36.202.....62	36.4012SIH.....65	36.63005.....73	36.730955H.....68	38.27700008.....73	38.423-1650.....123
36.208.....62	36.4015.....64	36.63005CR-5952.....73	36.730955B.....68	38.27700010.....73	38.423-1750.....123

Varenummerindeks

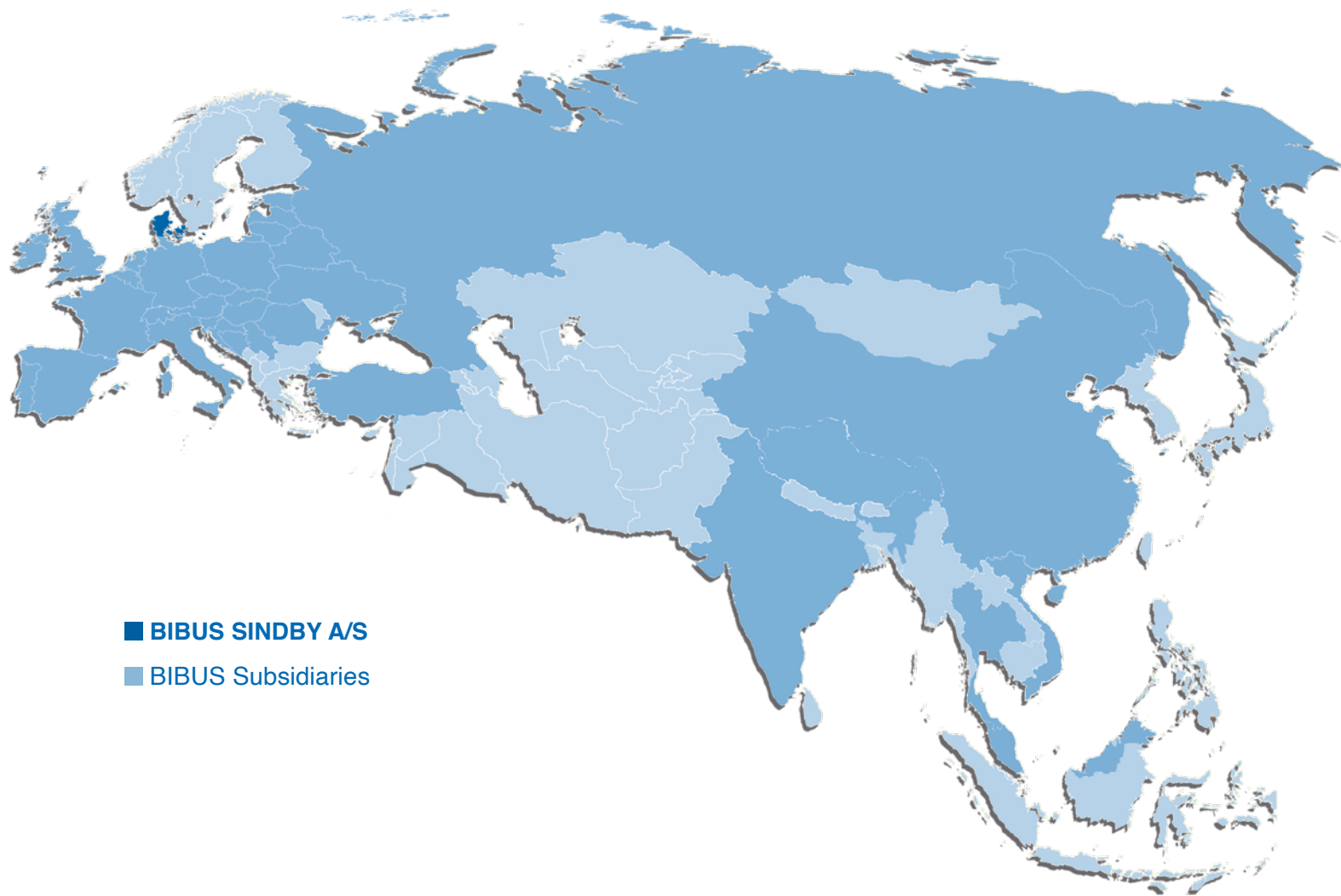
38.424-1800.....123	39.1510.....138	39.3803.....97	39.647.....85	39.B75/40-M12x40...93	39.D25/15.....91
38.425-3.....116	39.1511.....138	39.3803X.....96	39.648.....85	39.B75/50.....93	39.D30/10-M6.....91
38.425-3C.....116	39.1512.....138	39.3813.....97	39.649.....85	39.B100/30.....93	39.D30/10-M6x15...91
38.425-5.....116	39.1513.....138	39.3815.....97	39.650.....85	39.B100/40.....93	39.D30/10-M6x28...91
38.425-5C.....116	39.1514.....138	39.3846.....96	39.651.....85	39.B100/50.....93	39.D30/10.....91
38.425N-3.....116	39.1616.....138	39.3849.....97	39.651A.....85	39.B100/75.....93	39.D30/15-M6.....91
38.425N-5.....116	39.1617.....138	39.3868.....96	39.652.....85	39.BUMPER.....130	39.D30/15-M8x23...91
38.426-3.....116	39.1618.....139	39.3872.....96	39.653.....85	39.BUMPERB.....130	39.D30/15.....91
38.426-3C.....116	39.1620.....139	39.3873.....96	39.656.....86	39.BUMPERC.....130	39.D30/20-M6.....91
38.426-3CX.....116	39.1621.....139	39.3874.....96	39.657.....86	39.BUMPER-CAR.....100	39.D30/20-M8x15...91
38.426-3XL.....116	39.1622.....139	39.3875.....96	39.658.....86	39.BUMPER-CAR2.....100	39.D30/20.....91
38.426-5.....116	39.1623.....139	39.3876.....96	39.659.....86	39.BUMPERD.....130	39.D30/30-M6.....91
38.426-5C.....116	39.1624.....139	39.3878.....97	39.660.....86	39.BUMPERE.....130	39.D30/30.....91
38.426-5CX.....116	39.1625.....139	39.3879.....97	39.661.....86	39.C20/10.....90	39.D30/8-M6x18...91
38.426-8C.....116	39.1630.....139	39.3887.....96	39.662.....86	39.C20/20-A4.....90	39.D30/8-M6x23...91
38.427-3C.....113	39.1631.....139	39.3904X.....96	39.663.....86	39.C20/20.....90	39.D40/15-M6.....91
38.427-3GC.....113	39.1632.....139	39.3923.....97	39.664.....86	39.C25/10.....90	39.D40/15.....91
38.429-2.....112	39.1633.....139	39.3925.....97	39.665.....86	39.C25/15.....91	39.D40/20.....91
38.430-5/70.....124	39.1634.....139	39.3952.....97	39.674.....96	39.C25/25-M6.....91	39.D40/20-A2.....91
38.430-5/80.....124	39.1635.....139	39.4012.....97	39.678.....96	39.C30/20.....91	39.D40/20-M10...91
38.430-8/70.....124	39.1636.....139	39.4054.....97	39.678X.....96	39.C30/30-A4.....91	39.D40/20-M6.....91
38.430-8/90.....124	39.1637.....139	39.4087.....96	39.680H.....96	39.C30/30.....91	39.D40/25-A2.....91
38.430-10/70.....124	39.1638.....140	39.4110.....97	39.680H-1180.....96	39.C30/40.....91	39.D40/30-A2.....91
38.430-10/90.....124	39.1639.....140	39.4129.....97	39.680X.....96	39.C40/25.....91	39.D40/30-M8.....91
38.431.....116	39.1641.....140	39.4156.....96	39.684X.....96	39.C40/30.....91	39.D40/30.....91
38.431-3.....116	39.1642.....140	39.4178.....96	39.684XS.....96	39.C40/40.....91	39.D40/35.....91
38.431-5.....116	39.1643.....140	39.4224.....97	39.685.....96	39.C40/40-M10.....91	39.D40/35-A2.....91
38.432.....112	39.1644.....140	39.4229.....97	39.69.....97	39.C50/20.....92	39.D40/40.....91
38.433.....112	39.167G.....83	39.4244.....97	39.79.....97	39.C50/25.....92	39.D40/40-A2.....91
38.434.....114	39.168G.....83	39.4249.....97	39.93.....97	39.C50/30-68.....92	39.D40/40-M8x23-68...91
38.434A.....114	39.169G.....83	39.4250.....97	39.AV2024.....94	39.C50/30-M8.....92	39.D40/45-A2.....91
38.435C.....115	39.170G.....83	39.4251.....97	39.AV30.....94	39.C50/30.....92	39.D50/20-M12...92
38.436C.....115	39.171J.....83	39.4257.....97	39.AV5068.....94	39.C50/35.....92	39.D50/20.....92
38.440-6.....123	39.171G.....83	39.4269.....97	39.AV9580.....94	39.C50/40-M12...92	39.D50/25.....92
38.440-6A.....123	39.172.....83	39.4310.....97	39.B08/08-43.....90	39.C50/40.....92	39.D50/25-M12...92
38.440-8.....123	39.173.....84	39.4311.....97	39.B15/10.....90	39.C50/45.....92	39.D50/30-M10...92
38.440-8A.....123	39.174.....83	39.4333.....96	39.B15/15-M4x8...90	39.C60/30.....92	39.D50/30.....92
38.440-8X.....123	39.175H.....83	39.4380.....97	39.B15/15.....90	39.C60/30-M8.....92	39.D50/50.....92
38.449-750.....124	39.175J.....83	39.4380X.....96	39.B16/18.....90	39.C60/40-M10...92	39.D50/80.....92
38.449-1200.....124	39.177.....83	39.4381.....97	39.B20/10.....90	39.C60/40-M12...92	39.D60/30.....92
38.450-760.....124	39.178.....83	39.4399.....96	39.B20/10-M6...90	39.C60/40.....92	39.D60/30-M12...92
38.451-1600.....124	39.179.....83	39.4403.....97	39.B20/15.....90	39.C65/35.M10...92	39.D60/40.....92
38.452-1200.....124	39.180.....86	39.55.....97	39.B20/15-A4.....90	39.C65/35.....92	39.D60/40-M12...92
38.5017530.....120	39.181052.....84	39.56.....97	39.B20/15-M6-43...90	39.C70/45-M10...93	39.D6050.....92
38.5017530A.....120	39.181060.....84	39.57.....97	39.B20/15-M6.....90	39.C75/100-M16...93	39.D65/35.....92
38.5501110.....122	39.181061.....84	39.620J.....84	39.B20/20-M6-43...90	39.C75/100.....93	39.D70/40.....92
38.5501210.....122	39.181.....86	39.623J.....84	39.B20/20-M6-55...90	39.C75/30.....93	39.D70/40-M12...92
38.5501310.....122	39.1819.....139	39.624.....84	39.B2020.....90	39.C75/30-M10...93	39.D70/70.....92
38.623750.....122	39.182.....86	39.625.....84	39.B25/25.....91	39.C75/30-M10-68...93	39.D75/30.....93
38.623752.....122	39.183.....86	39.626J.....84	39.B25/25-M6...91	39.C75/50-M12...93	39.D75/50-M10...93
38.623764.....122	39.183A.....87	39.627.....84	39.B25/30.....91	39.C75/55-43.....93	39.D75/50-M12...93
38.8100110.....119	39.183B.....87	39.628.....84	39.B2513.....90	39.C75/55-M10...93	39.D100/30.....93
38.8100310.....119	39.183C.....87	39.629.....84	39.B30/20-M6x10-43...91	39.C75/55.....93	39.D100/50.....93
38.8103110.....119	39.184.....87	39.630.....85	39.B30/20-M6x10-57...91	39.C100/40.....93	39.D100/75.....93
38.9110030.....121	39.185.....87	39.631A.....85	39.B30/20.....91	39.C100/50.....93	39.D150/50.....93
38.9117630.....121	39.186.....87	39.631X.....85	39.B30/20X.....91	39.C100/55NBR68...93	39.D200/100.....93
38.9117631.....121	39.187.....87	39.632A.....83	39.B30/20XX.....91	39.C100/75.....93	39.DC300300.....99
38.9716230.....121	39.188.....87	39.632B.....83	39.B30/30-M6-M8x23...91	39.C150/40.....93	39.DD150150.....98
38.9726230.....119	39.2486.....96	39.632C.....83	39.B30/30-M6...91	39.C150/50.....93	39.DD300300.....98
38.9730030.....119	39.2776.....97	39.632J.....83	39.B30/30.....91	39.C150/75.....93	39.DD350350.....98
38.9730030S.....119	39.3010.....96	39.634.....85	39.B40/20.....91	39.C150/75-M20...93	39.E20/10.....90
38.9750030.....119	39.3023.....97	39.634P.....85	39.B40/30.....91	39.C200/100.....93	39.E20/10-M6...90
38.9971010.....124	39.3029.....97	39.635.....86	39.B40/35.....91	39.D10/10.....90	39.E25/10.....90
38.9971020.....124	39.3051.....97	39.635X.....86	39.B50/20-M8.....92	39.D15/10.....90	39.E25/10-M6...90
39.103195.....94	39.3240.....96	39.636.....86	39.B50/21.....92	39.D15/10-M6...90	39.E30/10-M6-43...91
39.1208P.....26	39.3366.....97	39.636X.....86	39.B50/30.....92	39.D15/15.....90	39.E30/15.....91
39.1501.....138	39.3381.....97	39.637.....84	39.B50/40-43.....92	39.D15/15-M6...90	39.E30/15-M6...91
39.1502.....138	39.3428.....97	39.638.....84	39.B50/50-M10...92	39.D15/4G-M4x6...90	39.E30/20.....91
39.1503.....138	39.3581.....97	39.642.....85	39.B50/50.....92	39.D20/10.....90	39.E30/20-M6...91
39.1504.....138	39.360.....84	39.642X.....85	39.B60/30.....92	39.D20/15E.....90	39.E30/30.....91
39.1505.....138	39.36412.....97	39.643X.....85	39.B60/40.....92	39.D20/20.....90	39.E30/30-M6...91
39.1506.....138	39.3700.....97	39.644.....85	39.B60/45-A2.....92	39.D20/20-M6...90	39.E30/35.....91
39.1507.....138	39.3722.....96	39.644A.....85	39.B75/30.....93	39.D20/20-M6...90	39.E40/15-SH43...91
39.1508.....138	39.3726.....97	39.645.....88	39.B75/40.....93	39.D20/20-M6-43...90	39.E40/20.....91
39.1509.....138	39.3802.....97	39.646.....84	39.B75/40-M10x18...93	39.D25/15-A2.....91	39.E40/20-M6...91

Varenummerindeks

39.E40/30.....91	39.KP-E70/60.....94	45.217C.....79	50.083033.....42	54.710770.....43	87.81152.....143
39.E50/20.....92	39.KP-E75/89-M10.94	45.221C.....79	50.083040.....42	54.710780.....44	87.812015.....143
39.E50/20-M10.....92	39.KP-E75/89.....94	45.224.....79	50.083040G.....42	57.400/3E.....102	87.81252.....143
39.E50/20-M12.....92	39.KP-E75/89.....94	45.235N429.....81	50.083040GS.....42	57.401/3BX.....103	87.81302.....143
39.E50/25.....92	39.KP-E95/80.....94	45.235N1057.....81	50.083040GS.....42	57.401/3E.....102	87.814015.....143
39.E50/25-M12.....92	39.KP-D115/136.....94	45.235NG429.....81	50.083045G.....42	57.402/3E.....102	DC-fender.....99
39.E50/40.....92	39.KP-D118/77.....94	45.235NG1057.....81	50.083045X.....42	57.403/2.5J.....103	DD-fender.....98
39.E50/40-M12.....92	39.LP-D30/36-A4.94	45.308C.....80	50.083046.....42	57.403/3E.....102	Group 0010.....37
39.E60/30.....92	39.M1810.....90	45.308C-50.....80	50.083050.....42	57.404/3E.....102	Group 0011.....37
39.E60/30-M12.....92	39.M20/10.....90	45.309C.....80	50.083050G.....42	57.405/2J.....103	Group 0012.....37
39.E60/40.....92	39.M20/10-M6.....90	45.309C-50.....80	50.083050GG.....42	57.405/3E.....102	Group 0020.....37
39.E60/40-M12.....92	39.M20/15-A4.....90	45.347C.....79	50.083052G.....43	57.406/3E.....102	Group 0021.....37
39.E70/35.....92	39.M2015.....90	45.383C.....79	50.083055G.....43	57.407/3E.....102	Group 0022.....37
39.E70/50.....92	39.M2020-M6.....90	45.388C.....79	50.083059.....43	57.408/3E.....102	Group 0023.....37
39.E75/30.....93	39.M2020-M6-45.....90	45.393.....80	50.083060.....43	57.410/3E.....102	Group 0024.....37
39.E75/30-M12.....93	39.M2020-M8.....90	45.394.....80	50.083060G.....43	57.411/3E.....102	Group 0025.....37
39.E75/50.....93	39.M2020.....90	45.705C.....79	50.083061.....43	57.412/3E.....102	Group 0030.....37
39.E75/50-M12.....93	39.M24.....85	45.832.....79	50.083065.....43	57.413/3E.....102	Group 0100.....37
39.E80/50.....93	39.M25/10-M8.....90	45.836.....79	50.083065G.....43	57.423/3E.....102	Group 0101.....37
39.E80/50-M16.....93	39.M25/22.....91	45.837.....79	50.083070B.....43	57.424/3E.....102	Group 0102.....38
39.E100/25.....93	39.M2515.....91	45.839.....79	50.083070G.....43	57.425/3E.....102	Group 0102A.....38
39.E100/30.....93	39.M2520-M6.....91	45.872.....79	50.083080G.....43	57.426/3E.....102	Group 0103.....38
39.E100/40.....93	39.M2520.....91	45.874.....79	50.083080GG.....43	57.427/3E.....102	Group 0103A.....38
39.E100/40NBR43.....93	39.M30/10.....91	45.882.....79	50.083081.....43	57.428/3E.....102	Group 0104.....38
39.E100/40NBR68.....93	39.M30/20XX.....91	45.884C.....79	50.083088.....43	57.429/3E.....102	Group 0105.....38
39.E100/50.....93	39.M3015-M8x12.....91	45.886.....80	50.083089.....43	57.430/3E.....102	Group 0106.....37
39.E100/55NBR68.....93	39.M3015-M8x15.....91	45.886G.....80	50.083090.....44	57.431/3E.....102	Group 0107.....37
39.E100/75.....93	39.M3020-55.....91	45.894.....80	50.083095.....44	57.440/3E.....102	Group 0108.....37
39.E150/50.....93	39.M3020.....91	45.901.....81	50.083095B.....44	57.441/3E.....102	Group 0109.....37
39.E150/50-M20.....93	39.M3030-SS.....91	45.980A.....80	50.083095G.....44	57.442/3E.....102	Group 0110.....37
39.E150/75.....93	39.M3030.....91	45.980K.....80	50.13621.....128	57.443/2JP.....103	Group 0111.....37
39.E150/75-M20.....93	39.M40/20.....91	45.980S.....80	50.241NR.....127	57.443/3E.....102	Group 0112.....37
39.E200/100.....93	39.M40/38-M12.....91	48.442.....108	50.242NR.....127	57.444/3E.....102	Group 0113.....37
39.GMF67/34.....94	39.M40/40.....91	48.451.....107	50.243-10.....128	57.445/3E.....102	Group 0119.....37
39.GMF75/34.....94	39.M4025.....91	48.452.....107	50.243NR.....128	57.446/3E.....102	Group 0120.....37
39.GMF100/42.....94	39.M4030.....91	48.542.....108	50.244NR.....127	57.447/3E.....102	Group 0121.....37
39.GMF108/46.....94	39.M4038.....91	48.544A.....108	50.245H.....127	57.448/3E.....102	Group 0124.....37
39.GMF122/50.....94	39.M50/20NBR.....92	48.603.....106	50.245NR.....127	57.449/3E.....102	Group 0125.....37
39.GMF150/54.....94	39.M50/30NBR.....92	48.604.....106	50.246-10.....127	57.450/3E.....102	Group 0126.....37
39.KD25/17.....94	39.M5025.....92	48.605.....107	50.246NR.....127	57.451/3E.....102	Group 0127.....38
39.KD50/18.....94	39.M5030.....92	48.605B.....107	50.247-10.....127	57.452/3E.....102	Group 0128.....38
39.KP-D10/10.....94	39.M5040.....92	48.605X.....107	50.247NR.....127	57.453/3E.....102	Group 0129.....38
39.KP-D15/22.....94	39.M5045.....92	48.605Y.....107	50.250.....128	57.454/3E.....102	Group 0130.....38
39.KP-D20/15.....94	39.M5050.....92	48.608.....107	50.261.....128	57.455/3E.....102	Group 0131.....38
39.KP-D25/16.....94	39.M6035.....92	48.609.....107	50.263.....128	57.456/3E.....102	Group 0132.....38
39.KP-D25/20.....94	39.M6050.....92	48.612.....108	50.263K.....128	63.550300.....108	Group 0133.....38
39.KP-D30/30.....94	39.M7540.....93	48.613K.....106	50.263K-10.....128	68.4250.....108	Group 0134.....38
39.KP-D30/36-A2.....94	39.M7550.....93	48.618.....108	50.264-10.....127	79.051.....128	Group 0137.....38
39.KP-D30/36.....94	39.M7560.....93	48.621.....107	50.264NR.....128	79.051A.....128	Group 0139.....37
39.KP-D50/50.....94	39.M8050.....93	48.622.....107	50.265.....127	79.052.....128	Group 0140.....38
39.KP-D50/58.....94	39.SC300300.....99	48.622X.....107	50.265NR.....127	79.053.....128	Group 0141.....38
39.KP-D50/61.....94	39.SD300250.....98	48.623.....107	50.266.....127	79.054.....128	Group 0144.....38
39.KP-D50/67.....94	39.SD300300.....98	48.623X.....107	50.267.....128	79.055.....128	Group 0145.....38
39.KP-D60/40.....94	41.13459.....33	48.624.....107	50.267-10.....128	83.842.....142	Group 0146.....38
39.KP-D70/58.....94	41.13459X.....33	48.626.....106	50.267NR.....128	84.840084.....142	Group 0147.....38
39.KP-D70/60.....94	41.333S.....27	48.634.....106	50.269.....128	84.930.....142	Group 0148.....38
39.KP-D75/89-10.....94	41.406.....35	48.634F.....106	50.271.....127	84.931.....142	Group 0150.....37
39.KP-D75/89.....94	41.670.....34	48.634K.....106	50.275.....127	84.932T.....142	Group 0153.....37
39.KP-E10/10.....94	41.674A.....26	48.634KF.....106	50.276.....127	84.934.....142	Group 0155.....38
39.KP-E115/136.....94	41.675A.....26	48.635.....106	50.280.....128	84.934X.....142	Group 0158.....38
39.KP-E118/77.....94	41.678.....27	48.635F.....106	52.13689-5.....137	84.935.....142	Group 0159.....37
39.KP-E15/22.....94	45.102G.....80	48.635K.....106	52.13689A.....137	84.961.....142	Group 0160.....37
39.KP-E20/15.....94	45.123.....80	48.635KF.....106	52.13689B.....137	84.961A.....142	Group 0167.....38
39.KP-E20/24.....94	45.2031024.....81	48.636.....106	52.13689C.....137	84.961B.....142	Group 0169.....37
39.KP-E25/16.....94	45.20511046.....81	48.636F.....106	52.269X.....52	87.1034.....143	Group 0170.....38
39.KP-E25/20.....94	45.20511091.....81	48.636FX.....106	52.CWC8.....87	87.1035.....143	Group 0171.....38
39.KP-E30/30.....94	45.2051445.....81	48.636K.....106	52.PP106.....33	87.2010.....143	Group 0172.....38
39.KP-E30/36.....94	45.205SX.....35	48.636KF.....106	52.PPC270.....130	87.51939S.....143	Group 0175.....37
39.KP-E35/40.....94	45.206AL.....79	50.083000GG.....44	52.PPTLRED.....130	87.51989.....143	Group 0178.....37
39.KP-E50/50.....94	45.208.....35	50.083000SS.....44	54.261700J-5.....132	87.51999F.....143	Group 0179.....38
39.KP-E50/61.....94	45.209BX.....35	50.083013.....42	54.261720J-5.....132	87.52759.....143	Group 0181.....38
39.KP-E50/67.....94	45.210BX.....35	50.083015GG.....42	54.261740J-5.....132	87.52759X.....143	Group 0186.....37
39.KP-E50/68.....94	45.210C.....35	50.083015GGX.....42	54.261760J-5.....132	87.7051.....142	Group 0188.....38
39.KP-E60/40.....94	45.210CX.....35	50.083030.....42	54.261780J-5.....132	87.723.....143	Group 0191.....38
39.KP-E70/58.....94	45.216C-50.....80	50.083032GG.....42	54.710720.....42	87.770/10.....143	Group 0192.....37

Group 0194.....	38
Group 0199.....	38
Group 0201.....	37
Group 0206.....	38
Group 0207.....	38
Group 0208.....	37
Group 0209.....	37
Group 0211.....	38
Group 0214.....	37
Group 0508.....	38
Group 0516.....	38
Group 0517.....	38
Keyhole fender.....	100
KF-A-fender.....	100
KF-B-fender.....	100
KF-C-fender.....	100
KF-D-fender.....	100
MC-fender.....	100
S10.3301.....	142
S10.3303.....	142
S10.3311.....	142
S10.3312.....	142
S10.3313.....	142
S10.3314.....	142
SC-fender.....	99
SD-fender.....	98
Wing-type-fender....	100

ENGINEERING
LOGISTICS
SERVICES



- **BIBUS SINDBY A/S**
- BIBUS Subsidiaries

BIBUS SINDBY A/S
Edisonvej 11
DK-7100 Vejle
Tel. +45 75 88 21 22
Fax +45 75 88 21 21
bibus@bibus.dk