



## SINDBY PROFILES 4

## Gummi til industri og autobranchen

Hos A/S H. Sindby & Co. har vi beskæftiget os med gummiprofiler, kantlister, svampegummi og gummimåtter i knap 100 år. Vi har således en solid erfaring på området og besvarer gerne spørgsmål vedr. kemisk modstandsdygtighed, UV belastning, hårdhedsområde, trækstyrke, brudforlængelse, max. temperaturområde, slidstyrke, bestandighed o.s.v.

Alle profiler/gummiplader er lagervarer, hvis ikke andet er opgivet. Specialprofiler leveres efter ordre.

Vi løser alle opgaver - spørg os og få løsningen.

## Note

Tegningerne i dette katalog er ikke målfaste. Visse profiler i dette katalog lagerføres ikke men hjemtages kun på bestilling og ud fra mængde. Afklippede profiler tages ikke retur. Alle mål er i mm, hvis ikke andet er opgivet.

## Rubber for industry and automotive sector

At A/S H. Sindby & Co. we have been working with rubber profiles, edge profiles, sponge rubber and rubber plates for almost 100 years. We therefore have a thorough knowledge in this area and are always at your disposal if you have questions concerning chemical resistance, UV impact, hardness, tractive power, elongation at break, max. temperature range, resistance, constancy etc. All profiles / rubber plates in the catalogue are stock items unless otherwise stated. Special profiles can be supplied to order.

We can offer our assistance in all kinds of projects - ask us and we have the solution.

## Note

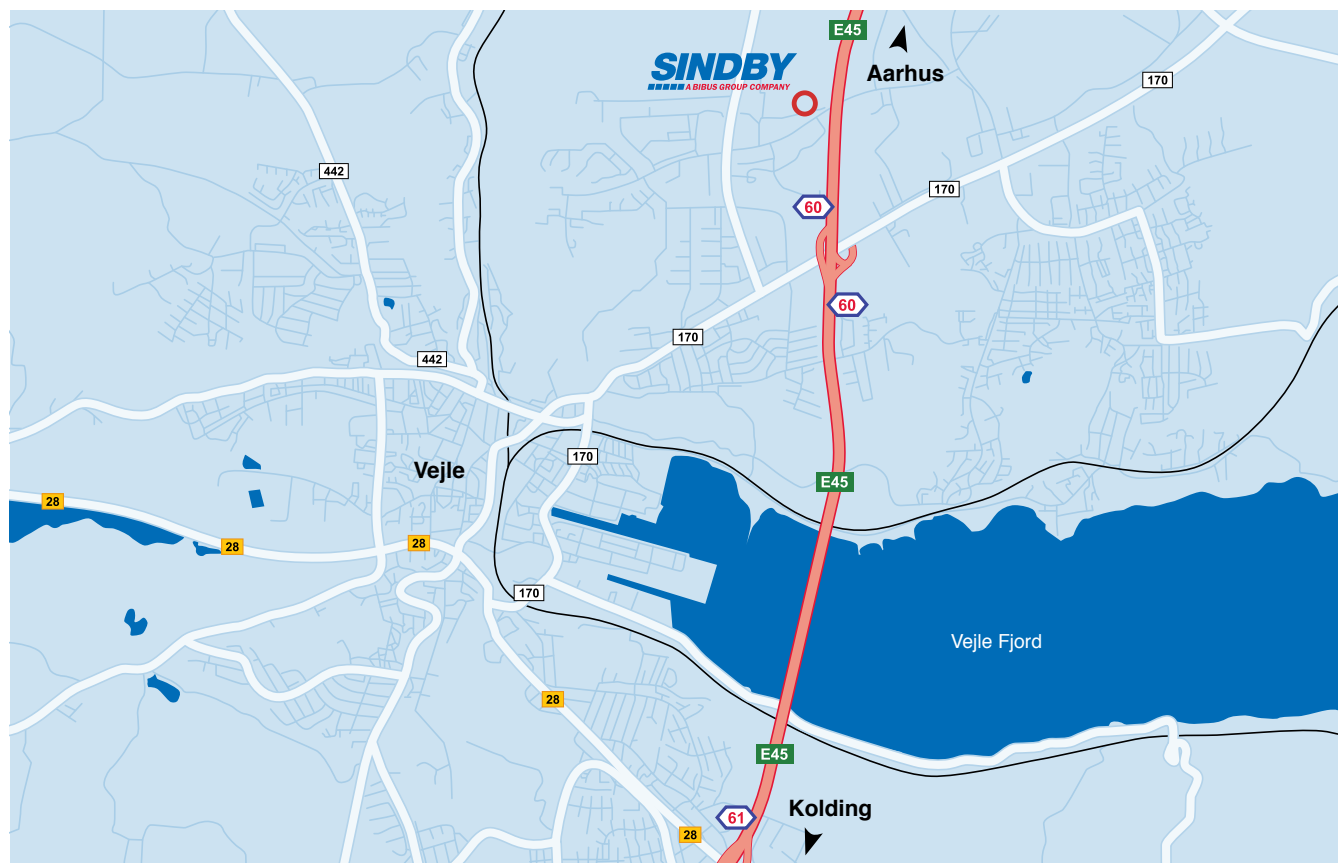
The drawings in this catalogue are not fixed. Certain profiles in this catalogue are not in stock and are only stocked on order. Profiles which are cut off cannot be returned. All measures are in mm unless otherwise stated.



**Keld Asp Hansen**

**Adm. direktør**  
Managing Director

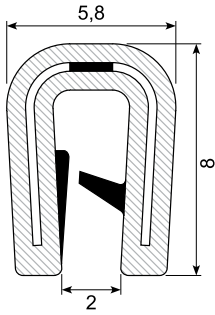
## Her finder du SINDBY / Here you will find SINDBY



A/S H. Sindby & Co. • Edisonvej 11 • DK-7100 Vejle

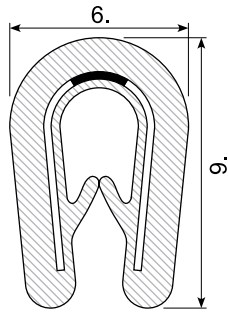
<b>Kantlister / Edge trims</b> .....	2
<b>Silikonkantlister / Silicone edge trims</b> .....	14
<b>POM-profiler / POM edge trims</b> .....	16
<b>Gummisnor / Rubber cord profiles</b> .....	18
<b>Specialprofiler / Special profiles</b> .....	19
<b>Co-ekstruderede plastprofiler / Co-extruded plastic profiles</b> .....	30
<b>U-profiler / U-profiles</b> .....	33
<b>P-profiler / P-profiles</b> .....	38
<b>Rudeprofiler / Glazing sections</b> .....	40
<b>Låsekiler / Glazing sections</b> .....	43
<b>Svampegummi / Sponge rubber</b> .....	44
<b>Glasbånd / Window seals</b> .....	51
<b>Cellegummi / Cellular rubber</b> .....	52
<b>Fenderlister / Fender lists</b> .....	53
<b>Sico Trim / Sico Trim</b> .....	56
<b>Gummibuffer / Rubber buffer</b> .....	59
<b>Vibrationsdæmpere / Vibration muffler</b> .....	65
<b>Fendere / Fenders</b> .....	70
<b>Børste- og flock-lister / Brush sections</b> .....	76
<b>Lydisolering / Soundproofing</b> .....	79
<b>Kinagummiplader / Rubber sheets from China</b> .....	82
<b>Øvrige europæiskproducerede måtter / Additional mats produced in Europe</b> .....	87
<b>Gummimåtter / Rubber mats</b> .....	88
<b>Gummistropper / Rubber straps</b> .....	95
<b>Bumpers / Bumpers</b> .....	97
<b>Poliall / Poliall</b> .....	98
<b>Oppustelige tætninger / Inflatable seals</b> .....	99
<b>Portsluser og tilbehør / Dock shelters</b> .....	101
<b>Tilbehør / Equipment</b> .....	105
<b>Varenummerindex / product number index</b> .....	108
<b>Egenskaber / Properties</b> .....	113

**33.306**



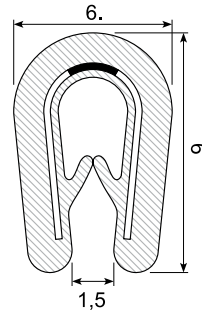
Edge trim: PVC black + bi  
Grip range: 1 - 2 mm  
Hardness: SH 78 / 65  
Insert: 15 x 0,3 mm steel

**33.409F**



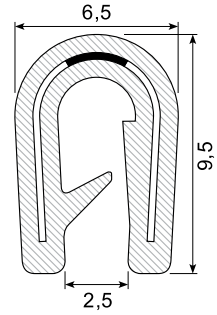
Edge trim: EPDM  
Grip range: 1 - 2 mm  
Hardness: SH 60  
Insert: Steel  
Flame retardent EN 45545

**33.409 / 33.401G**



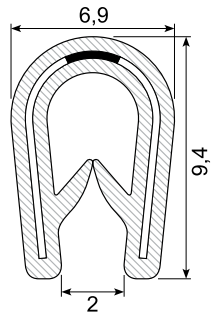
Edge trim: PVC black  
Grip range: 1 - 2 mm  
Hardness: SH 78  
Insert: 16 x 0,3 mm steel  
33.401G (grey)

**33.307A**



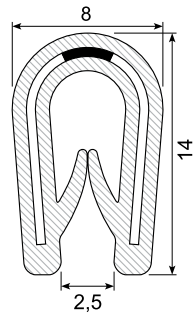
Edge trim: PVC black  
Grip range: 1 - 2 mm  
Hardness: SH 75  
Insert: 17,5 x 0,3 mm steel  
On cardboard coil

**33.410X / 33.410XG**



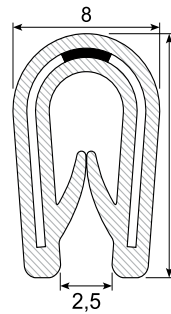
Edge trim: PVC black  
Grip range: 1 - 2 mm  
Hardness: SH 75  
Insert: 17,5 x 0,3 mm steel  
33.410XG (grey)

**33.310X**



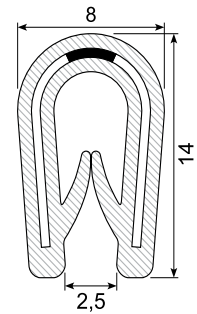
Edge trim: PVC black  
Grip range: 1 - 3 mm  
Hardness: SH 75  
Insert: 26 x 0,47 mm steel

**33.310SS**



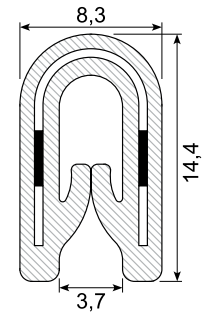
Edge trim: PVC black  
Grip range: 1 - 2,5 mm  
Hardness: SH 70 - 75  
Insert: 26 x 0,5 mm stainless steel SS 304

**33.310SS-316**



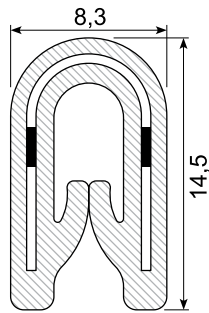
Edge trim: PVC black  
Grip range: 1 - 2,5 mm  
Hardness: SH 70 - 75  
Insert: 26 x 0,5 mm stainless steel SS 316 (acid-proof)

**33.422**



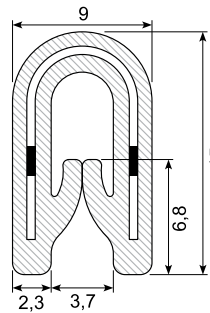
Edge trim: TPE flexible  
Grip range: 1 - 2,5 mm  
Hardness: SH 82  
Insert: 25 x 0,48 mm steel

**33.309XM**



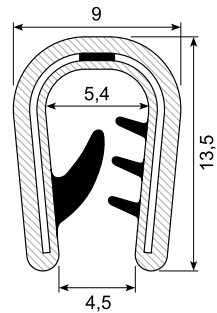
Edge trim: PVC mokka brown  
Grip range: 1 - 2,5 mm  
Hardness: SH 78  
Insert: Steel  
Current stock available

**33.003**



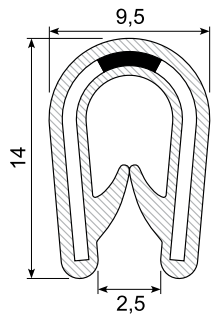
Edge trim: PVC black  
Grip range: 1 - 2,5 mm  
Hardness: SH 78  
Insert: Steel  
Current stock available

**33.418SS**



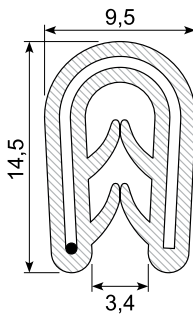
Edge trim: PVC black + bi  
Grip range: 1,5 - 3 mm  
Hardness: SH 78 / 78  
Insert: 26 x 0,5 mm stainless 304 steel

**33.308A**



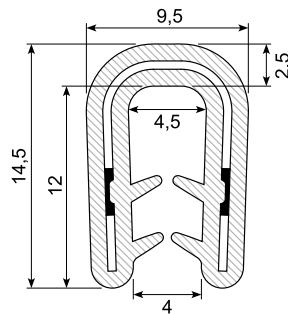
Edge trim: PVC black  
Grip range: 1 - 4 mm  
Hardness: SH 75  
Insert: 26 x 0,47 mm steel  
On cardboard coil

**33.432**



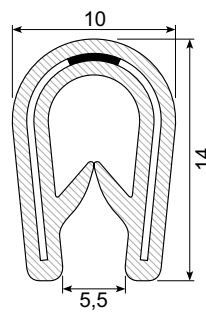
Edge trim: EPDM  
Grip range: 1 - 3 mm  
Hardness: SH 65  
Insert: 27 mm wire

**33.438**



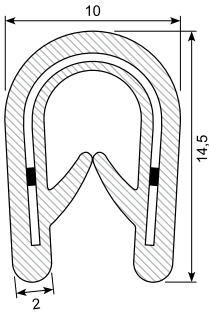
Edge trim: EPDM  
Grip range: 1,5 - 3,5 mm  
Hardness: SH 65  
Insert: 29 x 0,5 mm steel

**33.420X**



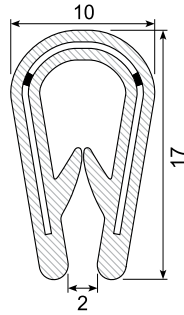
Edge trim: PVC black  
Grip range: 1 - 4 mm  
Hardness: SH 75  
Insert: 27 x 0,47 mm steel

**33.420F**



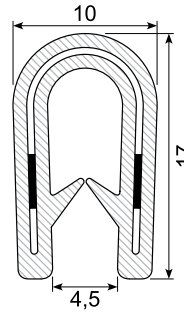
Edge trim: EPDM  
Grip range: 1 - 3 mm  
Hardness: SH 65  
Insert: 26 x 0,5 mm steel  
**Flame retardant NNF 16-101**  
Min. order: 500 m.

**33.419**



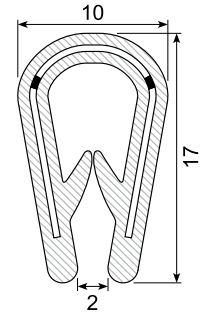
Edge trim: PVC black  
Grip range: 1 - 4 mm  
Hardness: SH 78  
Insert: 31 x 0,5 mm steel

**33.411**



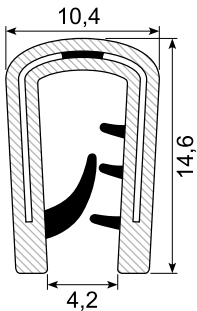
Edge trim: PVC grey  
Grip range: 2,5 - 4 mm  
Hardness: SH 78  
Insert: 29 x 0,48 mm steel

**33.411A \***



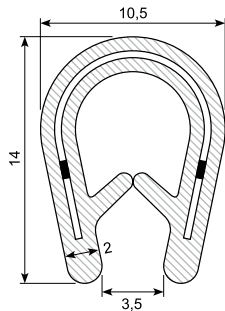
Edge trim: PVC grey  
Grip range: 1 - 4 mm  
Hardness: SH 78  
Insert: 31 x 0,5 mm steel  
Min. order: 2.000 mtr.

**33.418X**



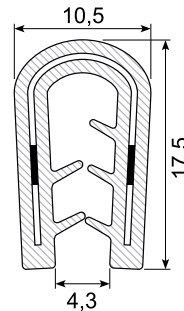
Edge trim: PVC black + bi  
Grip range: 2 - 5 mm  
Hardness: SH 75 / 75  
Insert: 26 x 0,47 mm steel  
White lips

**33.420FX**



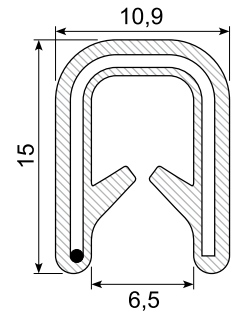
Edge trim: EPDM  
Grip range: 1 - 3 mm  
Hardness: SH 60  
Insert: 26 x 0,5 mm steel  
**Flame retardant EN 45545**

**33.425G**



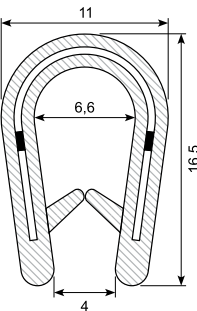
Edge trim: PVC grey  
Grip range: 3 - 4 mm  
Hardness: SH 78  
Insert: 35 x 0,48 mm steel  
Min. order: 2.000 m

**33.434**



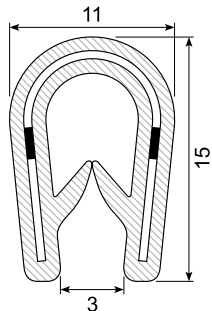
Edge trim: EPDM  
Grip range: 2 - 4 mm  
Hardness: SH 65  
Insert: 30 mm wire

**33.419A**



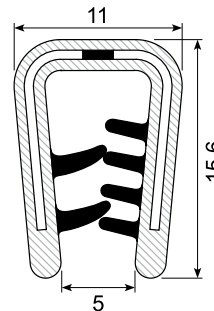
Edge trim: PVC black  
Grip range: 2 - 4 mm  
Hardness: SH 75  
Insert: 15 x 0,5 mm steel

**33.423**



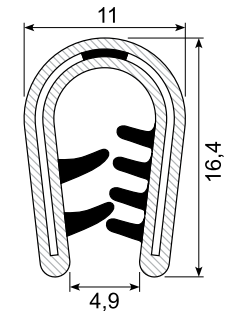
Edge trim: PVC black  
Grip range: 2,5 - 5 mm  
Hardness: SH 78  
Insert: Steel  
**Current stock available**

**33.427X**



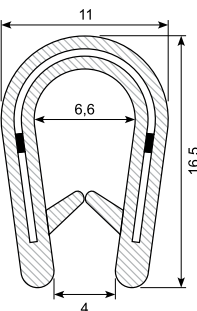
Edge trim: PVC black + bi  
Grip range: 1,5 - 4,5 mm  
Hardness: SH 75 / 75  
Insert: 30 x 0,47 mm steel  
Yellow lips

**33.094X**



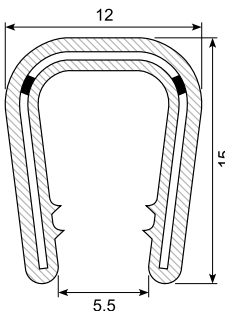
Edge trim: PVC black + bi  
Grip range: 1 - 4 mm  
Hardness: SH 75 / 75  
Insert: 30 x 0,47 mm steel  
Yellow lips

**33.419A**



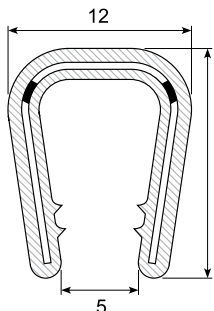
Edge trim: PVC black  
Grip range: 2 - 4 mm  
Hardness: SH 75  
Insert: 16,5 x 11 mm

**33.1153A**



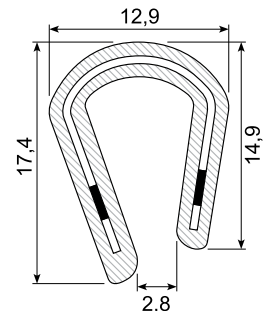
Edge trim: PVC Black  
Grip range: 6 - 8 mm  
Hardness: SH 78  
Insert: 32 mm steel

**33.1153GA**



Edge trim: PVC Grey  
Grip range: 6 - 8 mm  
Hardness: SH 78  
Insert: 32 mm steel

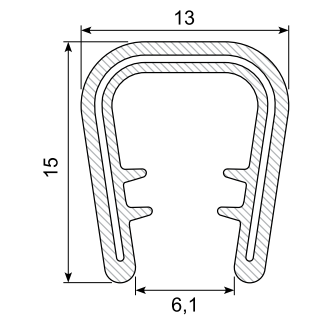
**33.415**



Edge trim: PVC  
Grip range: 5 - 7 mm  
Hardness: SH 78  
Insert: 29 x 0,48 mm steel

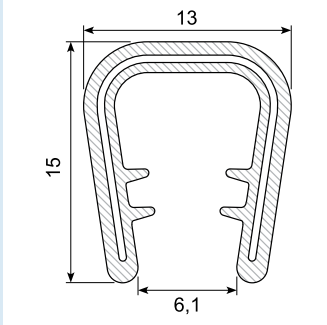
# Kantlister / Edge trims

**33.426XA**



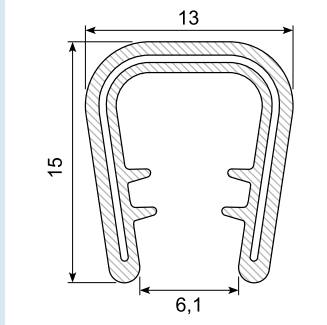
Hardness: SH 78  
Insert: 32 mm  
Min. order: 2.000 m

**33.426A**



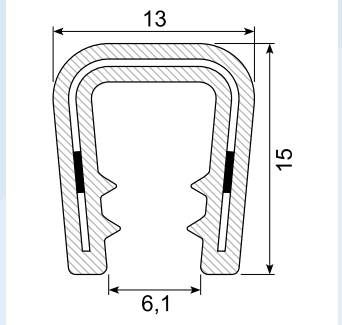
Hardness: SH 78 / 65  
Insert: 32 mm  
Min. order: 3.000 m

**33.426GA**



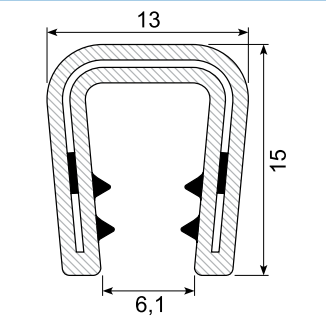
Edge trim: Grey  
Insert: 32 mm  
Min. order: 3.000 m

**33.426X**



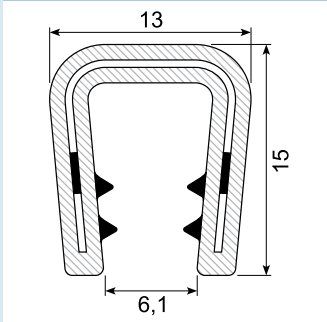
Edge trim: PVC black  
Grip range: 4,5 - 7 mm  
Hardness: SH 75  
Insert: 30 x 0,8 mm steel

**33.426**



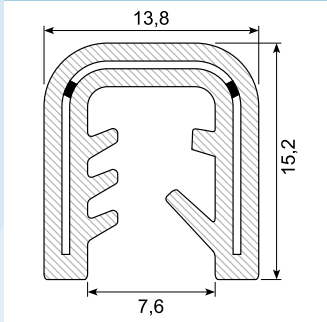
Edge trim: PVC + bi  
Grip range: 4,5 - 7 mm  
Hardness: SH 78 / 65  
Insert: 29 x 0,48 mm steel

**33.426G \***



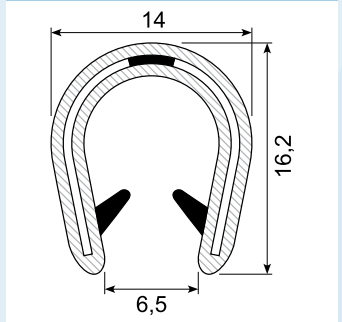
Edge trim: Grey PVC + bi  
Grip range: 4,5 - 7 mm  
Hardness: SH 78 / 65  
Insert: 29 x 0,48 mm steel  
Min. order 1.000 m

**33.433**



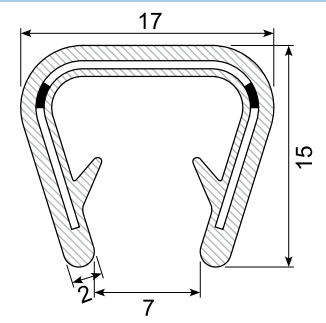
Edge trim: EPDM  
Grip range: 4 - 6 mm  
Hardness: SH 70  
Insert: 33 x 0,47 mm steel  
**Flame retardant EPDM DIN5510-2**

**33.1154**



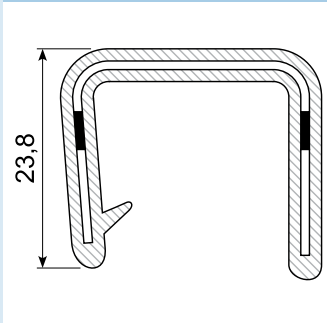
Edge trim: PVC black  
Grip range: 6 - 8 mm mm  
Hardness: SH 75 / 75  
White lips

**33.428 / 33.428G**



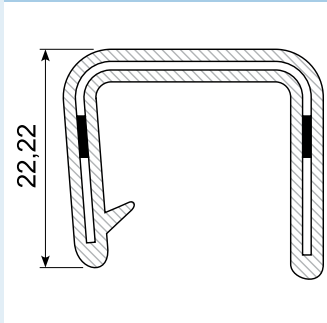
Edge trim: PVC black + bi  
Grip range: 10 - 12 mm  
Hardness: SH 78  
Insert: 36 x 0,5 mm steel  
**33.428G (grey)**

**33.1155**



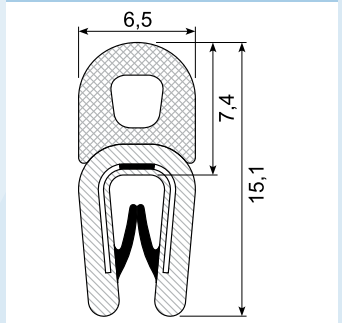
Edge trim: PVC black  
Grip range: 15 - 16 mm  
Hardness: SH 85  
Insert: Steel

**33.1156**



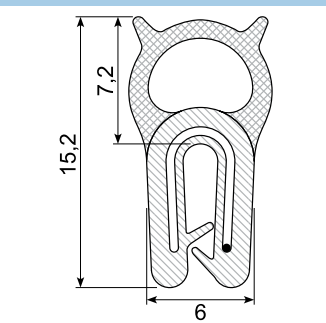
Edge trim: PVC black  
Grip range: 18 - 19 mm  
Hardness: SH 85  
Insert: Steel

**33.354**



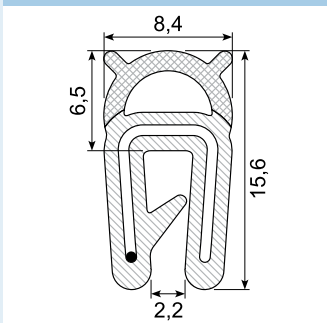
Edge trim: PVC+bi / sponge rubber  
Grip range: 1 - 2 mm  
Hardness: SH 78 / 57 / density 0,55  
Insert: 16 x 0,3 mm steel

**33.368 \***



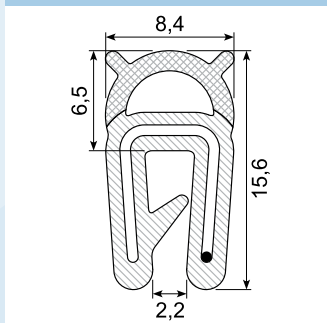
Edge trim: EPDM co-ex  
Grip range: 0,5 - 1,5 mm  
Hardness: SH 60 / density 0,55  
Insert: wire  
Min. order: 6.000 mtr.

**33.468F**



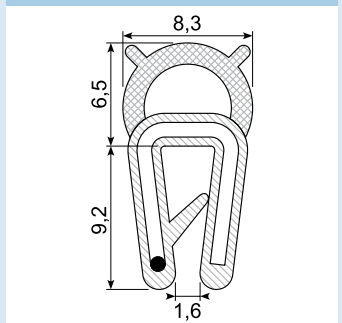
Edge trim: EPDM co-ex  
Grip range: 1 - 2 mm  
Hardness: SH 60 / density 0,8  
Insert: 22 x 0,75 mm wire  
**Flame retardant EN 45545**

**33.468X**



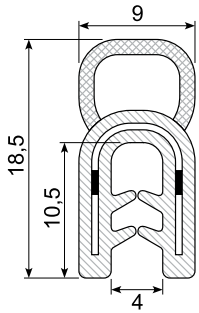
Edge trim: EPDM co-ex  
Grip range: 1 - 2 mm  
Hardness: SH 60 / density 0,55  
Insert: 22 x 0,75 mm wire

**33.468B \***



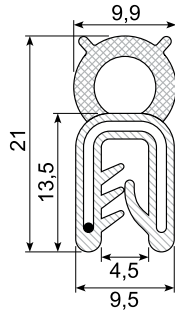
Edge trim: EPDM co-ex  
Grip range: 1 - 2 mm  
Hardness: SH 70 / density 0,55  
Insert: 22 mm wire  
Min. order: 3.000 mtr.

**33.358C \***



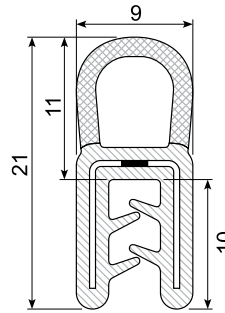
Edge trim: EPDM co-ex  
Grip range: 0,8 - 2,5 mm  
Hardness: SH 65  
Insert: 25 x 0,5 mm steel  
Min. order: 3.000 m

**33.021**



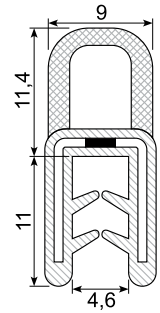
Edge trim: EPDM co-ex  
Grip range: 0,8 - 2 mm  
Hardness: SH 70 / density 0,55  
Insert: 25 mm wire

**33.358X**



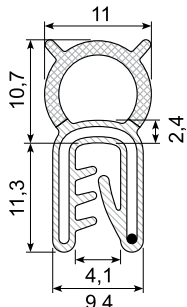
Edge trim: EPDM co-ex  
Grip range: 1 - 3,5 mm (1 - 3 mm)  
Hardness: SH 70 / density 0,55  
Insert: 26 x 0,5 mm  
Unbroken

**33.358B**



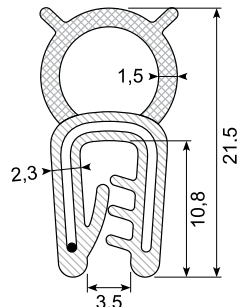
Edge trim: EPDM co-ex  
Grip range: 1 - 3 mm  
Hardness: SH 70 / density 0,55  
Insert: 27 mm

**33.370NBR**



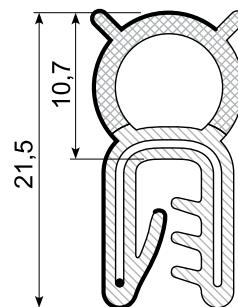
Edge trim: NBR co-ex  
Grip range: 1 - 3 mm  
Hardness: SH 70 / density 0,55  
Insert: Wire  
**Oil resistant**

**33.371A \***



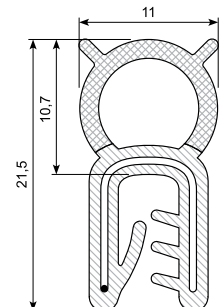
Edge trim: EPDM co-ex  
Grip range: 1 - 3 mm  
Hardness: SH 60 / density 0,55  
Insert: 26 x 0,76 mm wire  
Min. order: 5.500 m

**33.371E EMV - EMC - EMI \***



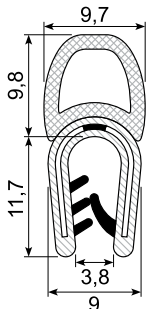
Edge trim: EPDM co-ex  
Grip range: 1 - 3 mm  
Hardness: SH 70 / density 0,55  
Insert: Wire  
**Electromagnetic compatibility. On demand**

**33.371F**



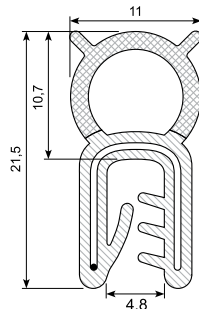
Edge trim: EPDM co-ex  
Grip range: 1 - 3 mm  
Hardness: SH 65 / density 0,6  
Insert: 26 x 0,75 mm wire  
**Flame retardant NFF16-101**  
Min. 4.000 m

**33.469X**



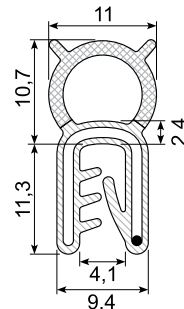
Edge trim: PVC+bi / sponge rubber  
Grip range: 1,5 - 3,5 mm  
Hardness: SH 75 / 63  
density 0,6 - 0,85  
Insert: 26 x 0,47 mm steel

**33.371FX**



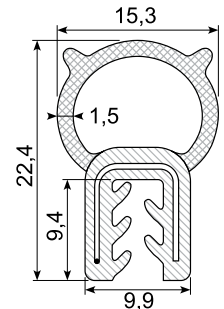
Edge trim: EPDM co-ex  
Grip range: 1 - 3 mm  
Hardness: SH 60 / density 0,8  
Insert: 26 x 0,75 mm wire  
**Flame retardant EN 45545**

**33.371X**



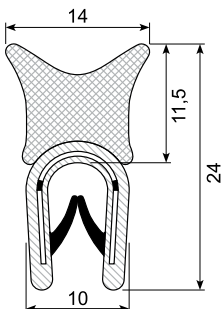
Edge trim: EPDM co-ex  
Grip range: 1 - 3,5 mm (1 - 3 mm)  
Hardness: SH 70 / density 0,55  
Insert: 27 mm wire

**33.369**



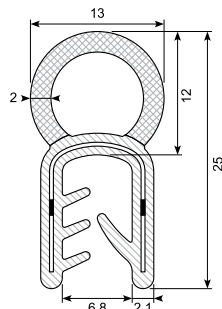
Edge trim: EPDM co-ex  
Grip range: 2 - 4 mm  
Hardness: SH 65 / density 0,6  
Insert: Wire

**33.481**



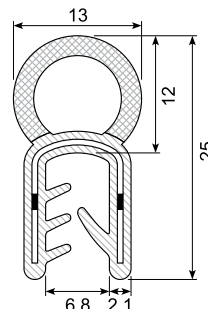
Edge trim: PVC + bi / spongerubber  
Grip range: 1 - 4 mm  
Hardness: SH 57 / 78 / density 0,55  
Insert: Steel

**33.353NBR**



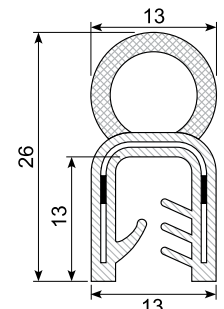
Edge trim: Co-ex  
Grip range: 3 - 4 mm  
Hardness: SH 70 / density 0,55  
Insert: 31 x 0,5 mm  
Min. order: 3.000 m

**33.353S \***



Edge trim: EPDM co-ex  
Grip range: 3 - 4 mm  
Hardness: SH 65 / density 0,6  
Insert: 31 x 0,5 mm steel  
Min. order: 6.000 m

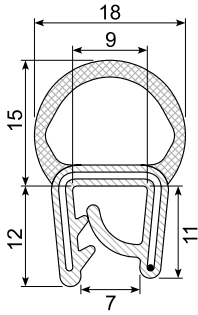
**33.353**



Edge trim: EPDM co-ex  
Grip range: 3 - 5 mm  
Hardness: SH 65 / density 0,6  
Insert: 32 mm steel

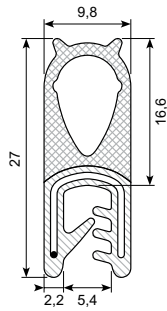
\* Skaffevare / Special order item

33.352 \*



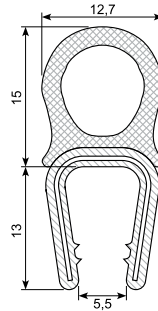
Edge trim: EPDM co-ex  
Grip range: 5 - 6 mm  
Hardness: SH 78 / density 0,6  
Insert: 31 x 0,5 mm  
Min. order: 2.000 m

33.362FX



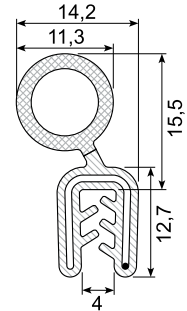
Edge trim: EPDM co-ex  
Grip range: 1 - 3,5 mm  
Hardness: SH 60 / density 0,8  
Insert: 26 x 0,75 mm wire  
**Flame retardent EN 45545**

33.357X



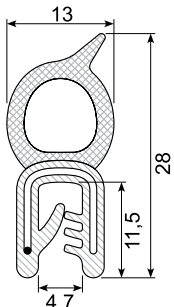
Edge trim: PVC / sponge rubber  
Grip range: 5 - 7 mm  
Hardness: SH 78 / density 0,6  
Insert: 31 x 0,5 mm

33.359X



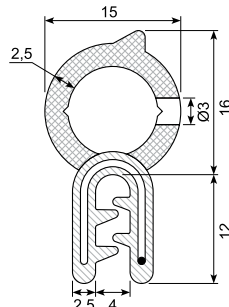
Edge trim: EPDM co-ex  
Grip range: 1,5 - 4 mm  
Hardness: SH 70 / density 0,6 - 0,85  
Insert: 25 wire

33.362B \*



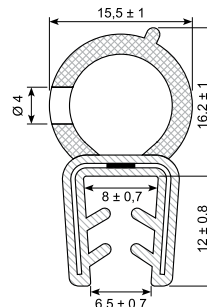
Edge trim: EPDM co-ex  
Grip range: 1 - 3,5 mm  
Hardness: SH 70 / density 0,55  
Insert: 26 x 0,76 mm wire  
Min. order: 5.500 m

33.362A \*



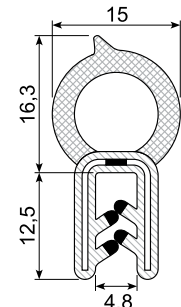
Edge trim: EPDM co-ex  
Grip range: 1 - 2,5 mm  
Hardness: SH 70 / density 0,55  
Insert: 26 x 0,76 mm wire  
Min. order: 5.500 m

33.353X



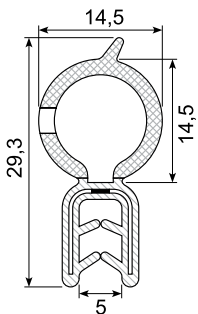
Edge trim: EPDM co-ex  
Grip range: 4 - 6 mm  
Hardness: SH 65 / density 0,6  
Insert: 33 mm steel

33.376



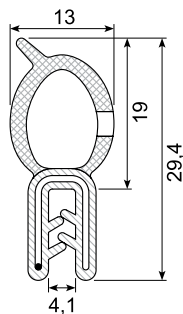
Edge trim: EPDM co-ex  
Grip range: 1 - 3,5 mm  
Hardness: SH 70 / density 0,75  
Insert: 27 mm steel

33.361 \*



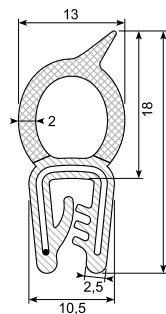
Edge trim: EPDM co-ex  
Grip range: 1 - 4 mm  
Hardness: SH 70 / density 0,55  
Insert: 26 x 0,5 mm steel  
Min. order: 5.500 m

33.361B \*



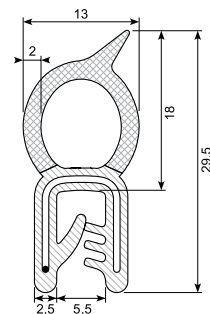
Edge trim: EPDM co-ex  
Grip range: 1 - 2,5 mm  
Hardness: SH 65 / density 0,55  
Insert: 26 x 0,76 mm wire  
Min. order: 5.500 m

33.360



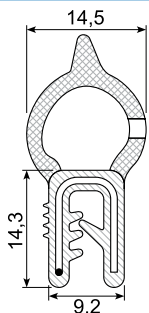
Edge trim: EPDM co-ex  
Grip range: 1 - 2,5 mm  
Hardness: SH 60 / density 0,6  
Insert: 27 x 0,75 mm wire

33.360NBR \*



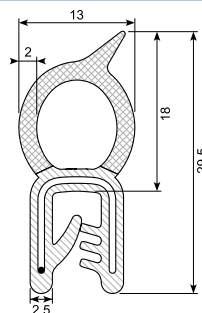
Edge trim: NBR co-ex  
Grip range: 1 - 3 mm  
Hardness: SH 70 / density 0,55  
Insert: 27 x 0,75 wide  
**Oil resistant**  
Min. order: 4.000 m

33.377



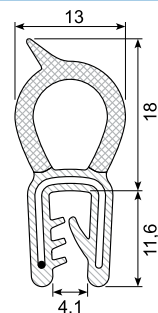
Edge trim: EPDM co-ex  
Grip range: 1 - 3,5 mm  
Hardness: SH 70 / density 0,75  
Insert: 27 mm wire

33.360F



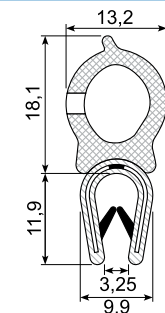
Edge trim: EPDM co-ex  
Grip range: 2 - 4 mm  
Hardness: SH 65 / density 0,6  
Insert: 27 x 0,76 mm wire  
**Flame retardent NFF16-101**  
Min. 3.000 m

33.360X



Edge trim: EPDM co-ex  
Grip range: 1 - 3 mm  
Hardness: SH 70 / density 0,6  
Insert: 27 x 0,75 mm wire

33.365X

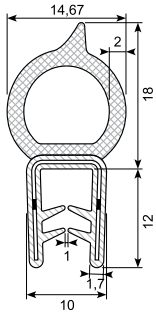


Edge trim: PVC+bi sponge rubber  
Grip range: 1 - 4 mm  
Hardness: SH 75 / 63 / density 0,6 - 0,85  
Insert: 26 x 0,47 mm steel

\* Skaffevare / Special order item

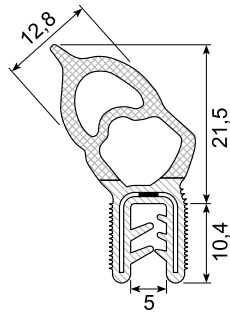


**33.362F \***



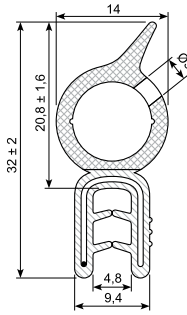
Edge trim: EPDM co-ex  
 Grip range: 2 - 4 mm  
 Hardness: SH 65 / density 0,6  
 Insert: 29 x 0,5 mm steel  
 Min. order: 1.000 m  
 Flame retardant BS6853 and DIN5510

**33.374**



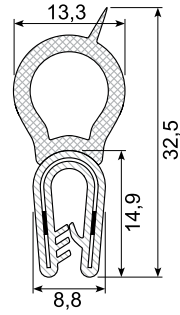
Edge trim: EPDM co-ex  
 Grip range: 1,5 - 4 mm  
 Hardness: SH 70 / density 0,55  
 Insert: 27 x 0,47 mm steel

**33.362D \***



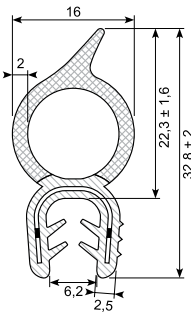
Edge trim: EPDM co-ex  
 Grip range: 2 - 4 mm  
 Hardness: SH 65 / density 0,6  
 Insert: 27 x 0,75 mm wire  
 Min. order: 4.029 m

**33.360R**



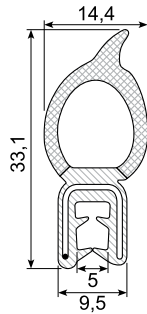
Edge trim: PVC sponge rubber  
 Grip range: 1 - 2,5 mm  
 Hardness: SH 77 / density 0,65 - 0,75  
 Insert: 26 x 0,5 mm stainless 304 steel

**33.362E \***



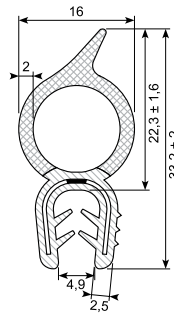
Edge trim: EPDM co-ex  
 Grip range: 3 - 5 mm  
 Hardness: SH 65 / density 0,6  
 Insert: 26 x 0,5 mm steel  
 Min. order: 4.050 m

**33.362**



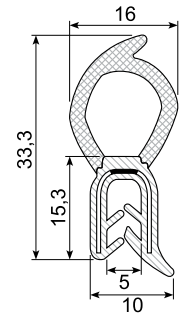
Edge trim: EPDM co-ex  
 Grip range: 1 - 3,5 mm  
 Hardness: SH 70 / density 0,6  
 Insert: 26 x 0,76 mm wire

**33.362C \***



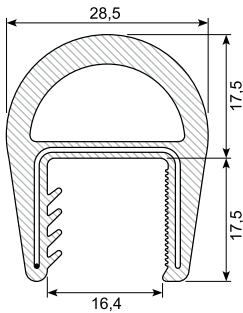
Edge trim: EPDM co-ex  
 Grip range: 1,5 - 3 mm  
 Hardness: SH 65 / density 0,6  
 Insert: 26 x 0,5 mm steel  
 Min. order: 4.050 m

**33.025**



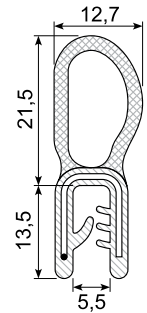
Edge trim: EPDM co-ex  
 Grip range: 1,5 - 3,5 mm  
 Hardness: SH 70 / density 0,55  
 Insert: 27 x 0,47 mm steel

**33.367**



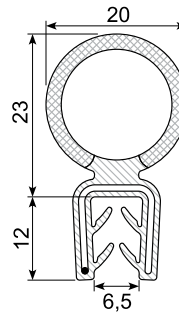
Edge trim: EPDM solid balloon  
 Grip range: 16 mm  
 Hardness: SH 60  
 Insert: 52 x 0,76 mm wire

**33.380**



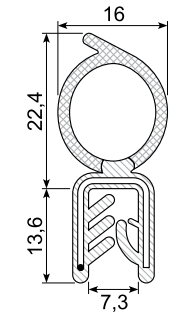
Edge trim: EPDM co-ex  
 Grip range: 2 - 4 mm  
 Hardness: SH 70 / density 0,55  
 Insert: 29 mm wire

**33.379**



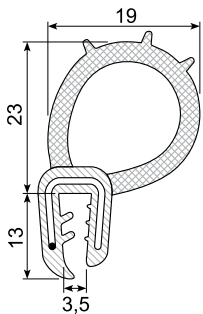
Edge trim: EPDM co-ex  
 Grip range: 2,5 - 5 mm  
 Hardness: SH 70 / density 0,55  
 Insert: 33 mm wire

**33.378**



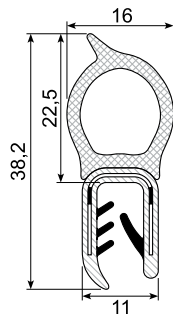
Edge trim: EPDM co-ex  
 Grip range: 1,5 - 5 mm  
 Hardness: SH 70 / density 0,55  
 Insert: 33 mm wire

**33.375**



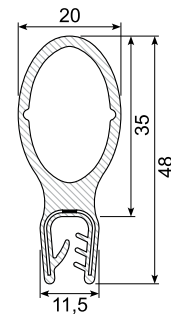
Edge trim: EPDM co-ex  
 Grip range: 4 - 5 mm  
 Hardness: SH70 / density 0,6 - 0,85  
 Insert: 27 mm wire

**33.463**



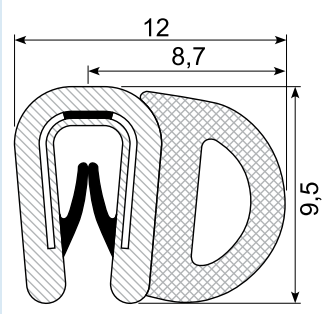
Edge trim: PVC+bi / sponge rubber  
 Grip range: 4 - 6 mm  
 Hardness: SH78/57 density 0,55  
 Insert: 31 x 0,5 mm steel

**33.355B**



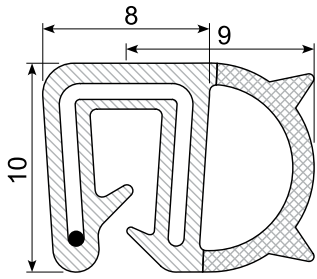
Edge trim: EPDM solid balloon  
 Grip range: 3 - 5 mm  
 Hardness: SH 60  
 Insert: 31 x 0,5 mm steel unbroken

**33.408X**



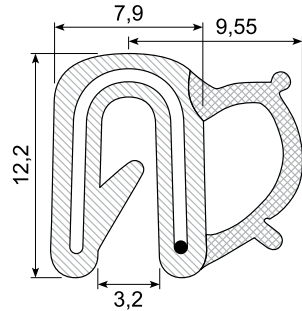
Edge trim: PVC+bi / sponge rubber  
 Grip range: 1 - 2 mm  
 Hardness: SH 78 / 57 density 0,55  
 Insert: 16 x 0,3 mm steel  
 \* Skaffevare / Special order item

33.404 \*



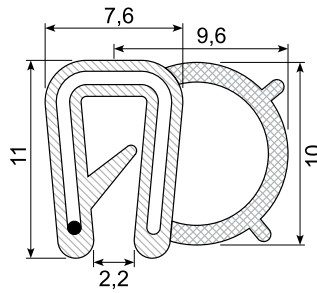
Edge trim: EPDM co-ex  
Grip range: 1 - 2,5 mm  
Hardness: SH 60 / density 0,55  
Insert: 20 x 0,76 mm wire  
Min. order: 5.500 m

33.407X



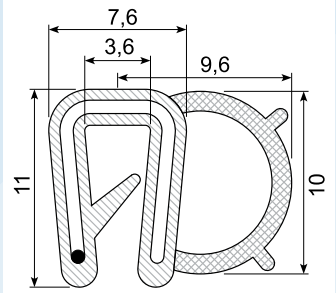
Edge trim: EPDM co-ex  
Grip range: 0,8 - 2,5 mm  
Hardness: SH 60 / density 0,55  
Insert: 22 x 0,75 mm wire

33.403 \*



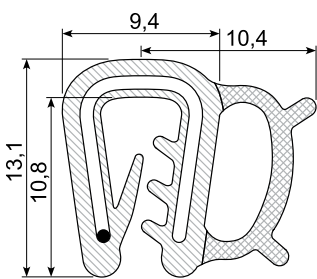
Edge trim: EPDM co-ex  
Grip range: 1 - 2 mm  
Hardness: SH 70 / density 0,55  
Insert: 20 x 0,76 mm wire  
Min. order: 15.000 m

33.403F



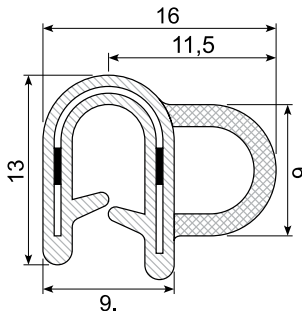
Edge trim: EPDM co-ex  
Grip range: 1 - 2 mm  
Hardness: SH 60 / density 0,8  
Insert: 22 x 0,75 mm wire  
**Flame retardent EN 45545**

33.405 \*



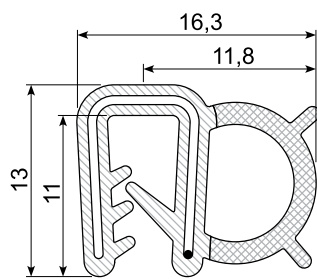
Edge trim: EPDM co-ex  
Grip range: 1 - 2 mm  
Hardness: SH 70 / density 0,55  
Insert: Wire  
Min. order: 5.500 m

33.9779 \*\*



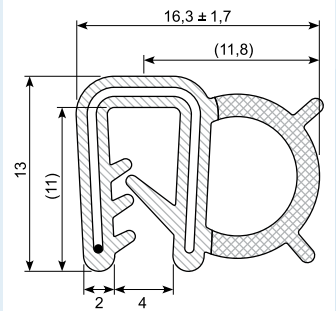
Edge trim: EPDM co-ex  
Grip range: 1,5 - 3 mm (1 - 3 mm)  
Hardness: SH 70 / density 0,65  
Insert: 25 x 0,5 mm steel

33.395A



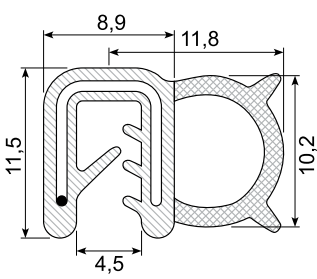
Edge trim: EPDM co-ex  
Grip range: 2 mm  
Hardness: SH 60 / density 0,6  
Insert: 26 x 0,75 mm wire

33.395F



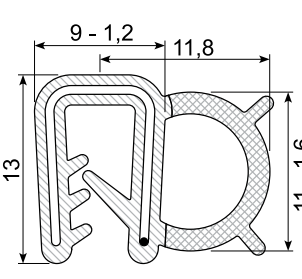
Edge trim: EPDM co-ex  
Grip range: 1 - 3 mm  
Hardness: SH 60 / density 0,8  
Insert: 26 x 0,75 mm wire  
**Flame retardent EN 45545**

33.395X



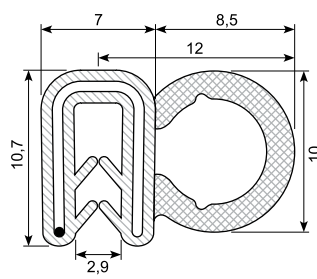
Edge trim: EPDM co-ex  
Grip range: 1 - 3 mm  
Hardness: SH 70 / density 0,55  
Insert: Wire

33.398



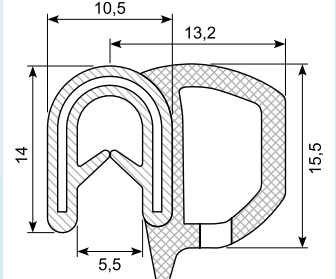
Edge trim: NBR co-ex  
Grip range: 2 mm  
Hardness: SH 60 / density 0,55  
Insert: 27 x 0,76 mm wire  
**Oil resistant**

33.381



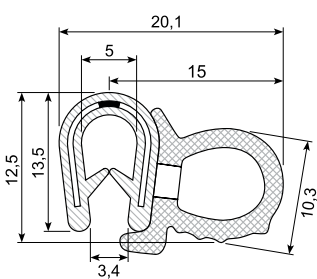
Edge trim: EPDM co-ex  
Grip range: 1 - 2,5 mm  
Hardness: SH 70 density 0,55  
Insert: Wire

33.444A



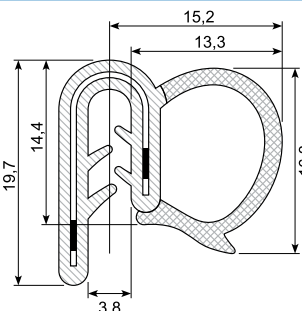
Edge trim: EPDM co-ex  
Grip range: 1,5 - 4 mm  
Hardness: SH 70 / density 0,55  
Insert: Wire  
Min. order: 1.000 m

33.372X



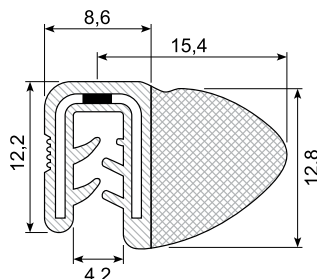
Edge trim: PVC + sponge rubber  
Grip range: 1 - 3,5 mm  
Hardness: SH 75 / 75 / density 0,6 - 0,85  
Insert: 22 x 0,47 mm steel

33.506 \*



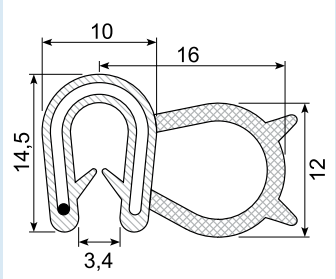
Edge trim: EPDM co-ex  
Grip range: 1 - 2,5 mm  
Hardness: SH 70 / density 0,6  
Insert: 30 x 0,47 mm steel  
On demand min. 4.000 m

33.480



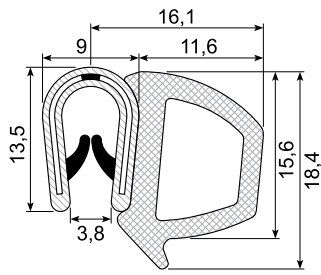
Edge trim: EPDM co-ex  
Grip range: 1 - 3,5 mm  
Hardness: SH 70 / density 0,55  
Insert: Steel

33.396



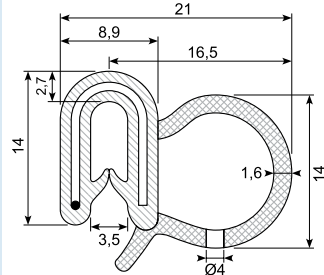
Edge trim: EPDM co-ex  
Grip range: 1 - 3 mm  
Hardness: SH 70 density 0,6 - 0,85  
Insert: 27 mm wire

33.444X



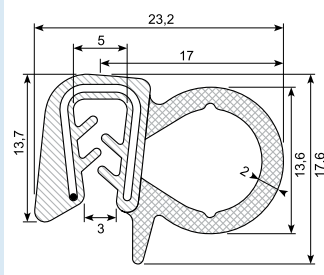
Edge trim: PVC + sponge rubber  
 Grip range: 1 - 3,5 mm  
 Hardness: SH75/75/density 0,6-0,86  
 Insert: 26 x 0,47 mm steel  
 Red lips

33.319



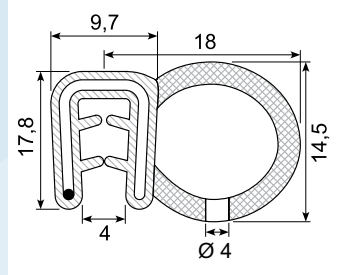
Edge trim: EPDM co-ex  
 Grip range: 1 - 3 mm  
 Hardness: SH 70 / density 0,6 0,85  
 Insert: Wire

33.319F \*



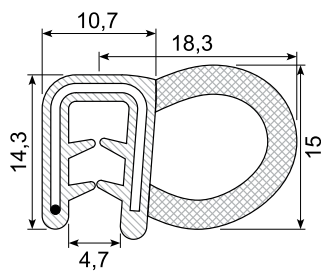
Edge trim: EPDM co-ex  
 Grip range: 1 - 2 mm  
 Hardness: SH 70 / density 0,6  
 Insert: 26 x 0,75 mm wire  
 Flame retardant NFF16-101  
 Min. order: 3.000 m

33.323



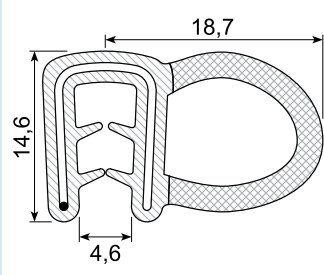
Edge trim: EPDM co-ex  
 Grip range: 1,5 - 3,5 mm  
 Hardness: SH 70  
 density 0,6 - 0,85  
 Insert: 27 mm

33.324CR



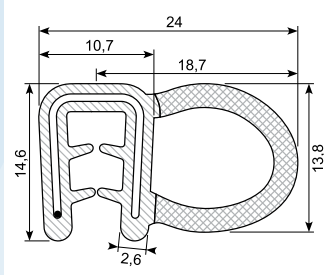
Edge trim: CR co-ex  
 Grip range: 1 - 3,5 mm  
 Hardness: SH70 / density 0,6 - 0,85  
 Insert: 29 mm wire  
 Conditional oil resistant

33.338 \*



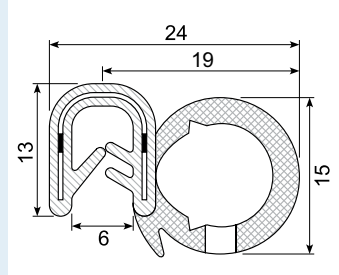
Edge trim: EPDM co-ex  
 Grip range: 1,5 - 3 mm  
 Hardness: SH 60 / density 0,55  
 Insert: 29 x 0,76 mm wire  
 Min. order: 5.000 m

33.338F



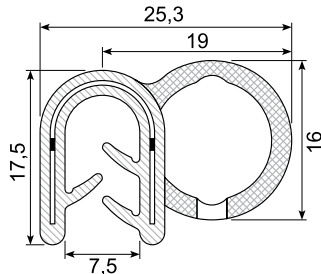
Edge trim: EPDM co-ex  
 Grip range: 1,5 - 3 mm  
 Hardness: SH 65 / density 0,60  
 Insert: 30 x 0,75 mm wire  
 Flame retardant EN45545

33.336 \*



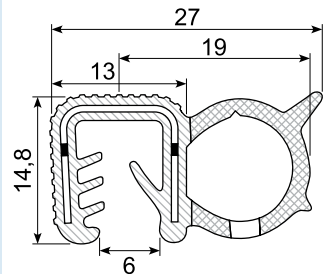
Edge trim: EPDM co-ex  
 Grip range: 1,5 - 3,5 mm  
 Hardness: SH 70 / density 0,55  
 Insert: 26 x 0,5 mm steel  
 Min. order: 5.000 m

33.450NBR



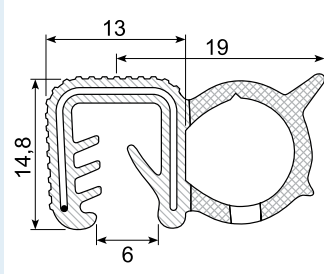
Edge trim: NBR co-ex  
 Grip range: 4 - 6 mm (3 - 6 mm)  
 Hardness: SH 70 / density 0,55  
 Insert: 34 x 0,5 mm steel  
 Oil resistant

33.457



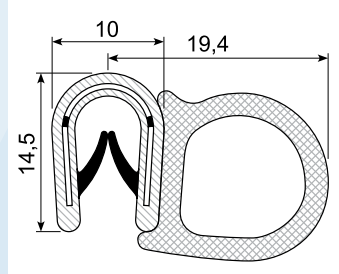
Edge trim: EPDM co-ex  
 Grip range: 5 - 6 mm  
 Hardness: SH 60 / density 0,6  
 Insert: 32 x 0,6 mm steel  
 unbroken

33.457ST



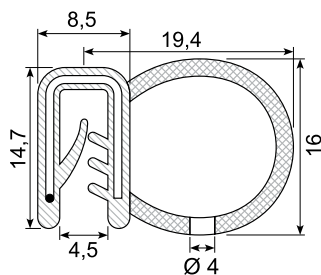
Edge trim: EPDM co-ex  
 Grip range: 5 - 6 mm  
 Hardness: SH 60 / density 0,55  
 Insert: 31 x 0,76 mm wire

33.449



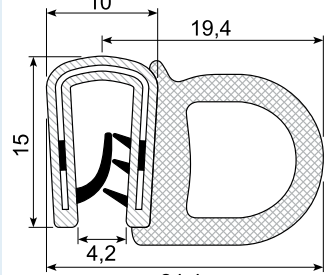
Edge trim: PVC+bi / sponge rubber  
 Grip range: 1 - 4 mm  
 Hardness: SH78/57 / density 0,55  
 Insert: 26 x 0,5 mm steel

33.321



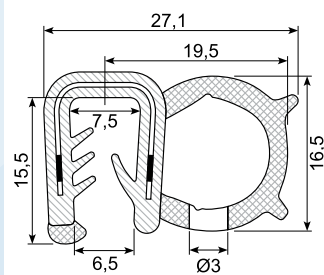
Edge trim: EPDM co-ex  
 Grip range: 1 - 3,5 mm  
 Hardness: SH 70 / density 0,6 - 0,85  
 Insert: 27 mm wire

33.452R



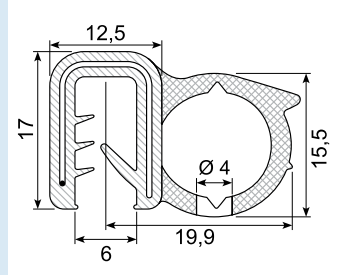
Edge trim: PVC+bi / sponge rubber  
 Grip range: 2 - 4 mm  
 Hardness: SH 78 / 65  
 density 0,65 - 0,75  
 Insert: 29 x 0,48 mm stainless steel

33.457S-6



Edge trim: EPDM co-ex  
 Grip range: 3 - 6 mm  
 Hardness: SH 70 / density 0,6  
 Insert: 32 x 0,47 steel

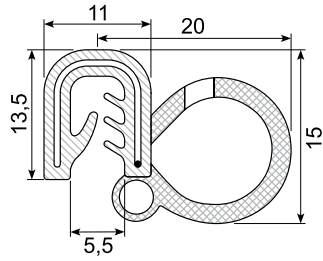
33.024



Edge trim: EPDM co-ex  
 Grip range: 2 - 4 mm (2 - 5 mm)  
 Hardness: SH 70 / density 0,55  
 Insert: 33 mm wire

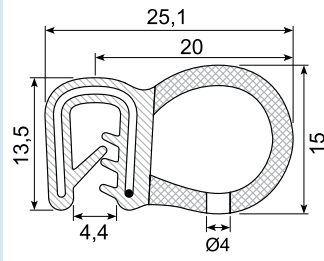
\* Skaffevare / Special order item

**33.454X**



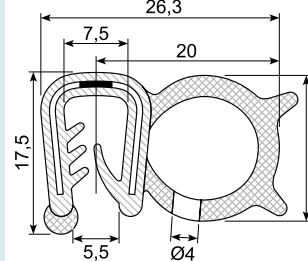
Edge trim: EPDM co-ex  
Grip range: 2 mm  
Hardness: SH 70 / density 0,55  
Insert: 27 x 0,76 mm wire

**33.335**



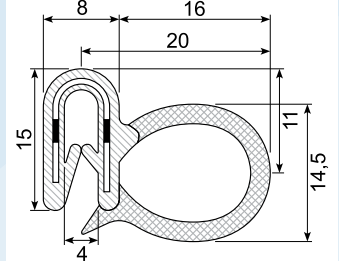
Edge trim: EPDM co-ex  
Grip range: 1,5 - 3,5 mm  
Hardness: SH70/density 0,55-0,85  
Insert: 27 mm wire

**33.457S-4 \***



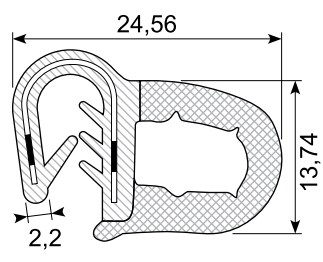
Edge trim: EPDM co-ex  
Grip range: 2 - 4 mm  
Hardness: SH 70 / density 0,6  
Insert: Steel  
Min. order: 3.000 m

**33.333 \***



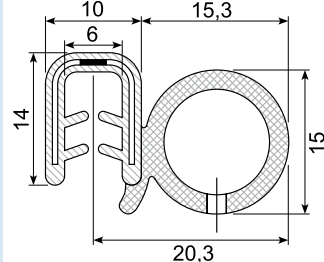
Edge trim: EPDM co-ex  
Grip range: 1 - 3 mm  
Hardness: SH 65 / density 0,6  
Insert: 29 x 0,5 mm steel  
Min. order: 4.000 m

**33.451E**



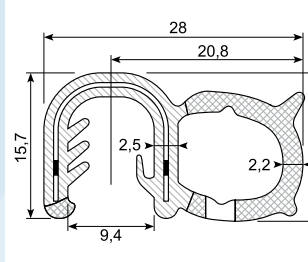
Edge trim: EPDM co-ex

**33.020**



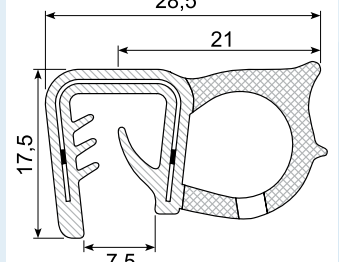
Edge trim: EPDM co-ex  
Grip range: 1,5 - 3 mm  
Hardness: SH 70 / density 0,55  
Insert: 27 x 0,47 mm steel

**33.332X \***



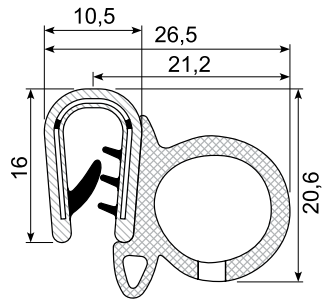
Edge trim: EPDM co-ex  
Grip range: 5 - 6 mm  
Hardness: SH 70 / density 0,6  
Insert: 33 x 0,5 steel  
Min. order: 5.000 m

**33.470**



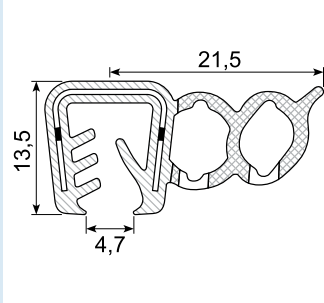
Edge trim: EPDM co-ex  
Grip range: 5 - 8 mm  
Hardness: SH 70 / density 0,6  
Insert: 36 x 0,5 mm steel

**33.339X**



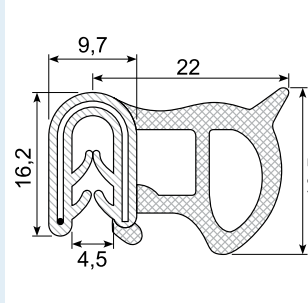
Edge trim: PVC+bi / sponge rubber  
Grip range: 2,5 - 4 mm  
Hardness: SH 78 / 65  
Insert: Steel

**33.456**



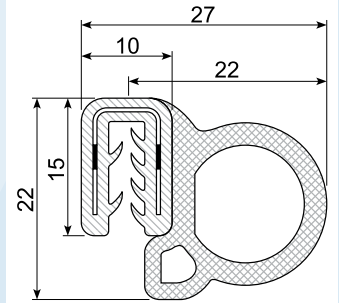
Edge trim: EPDM co-ex  
Grip range: 5 - 6 mm  
Hardness: SH 70 / density 0,6  
Insert: 30 x 0,6 mm steel

**33.12116 \***



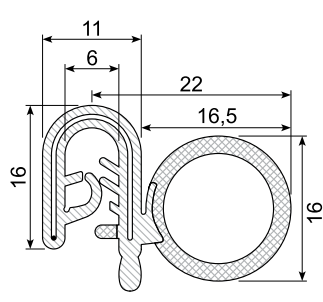
Edge trim: EPDM co-ex  
Grip range: 1 - 4 mm  
Hardness: SH 70 / density 0,6 - 0,85  
Insert: 29 mm wire  
Min. order: 3.000 m

**33.328 \***



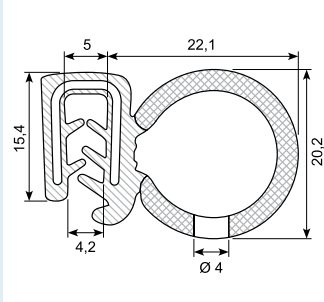
Edge trim: EPDM co-ex  
Grip range: 1,5 - 2,5 mm  
Hardness: SH 65 / density 0,6  
Insert: 29 x 0,5 mm steel  
Min. order: 4.000 m

**33.022**



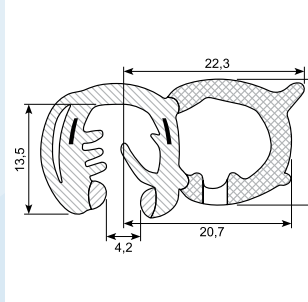
Edge trim: EPDM co-ex  
Grip range: 1,5 - 3 mm (1,5 - 4 mm)  
Hardness: SH 70 / density 0,6  
Insert: 33 mm wire

**33.340**



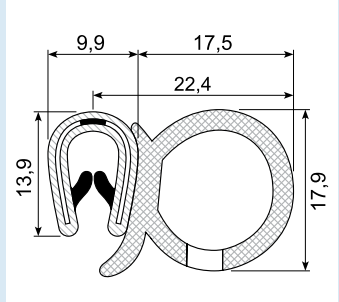
Edge trim: EPDM co-ex  
Grip range: 2 - 4 mm  
Hardness: SH 70  
Insert: 29 x 0,74 mm steel

**33.332B**



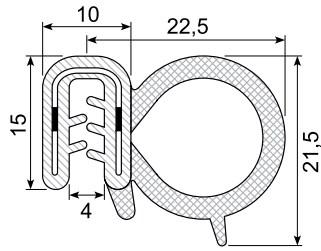
Edge trim: EPDM co-ex  
Grip range: 3 - 6 mm  
Hardness: SH 70 / density 0,55  
Insert: 32 mm Steel

**33.453X**



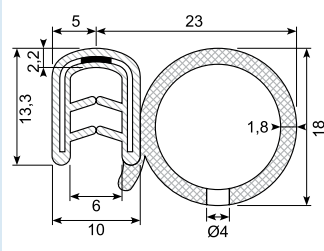
Edge trim: PVC + sponge rubber  
Grip range: 1 - 3,5 mm  
Hardness: SH75/75 density 0,6-0,85  
Insert: 26 x 0,47 mm steel

33.320 \*



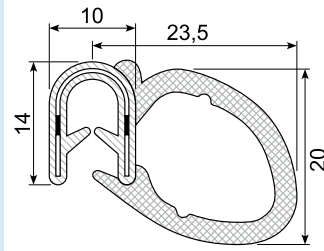
Edge trim: EPDM co-ex  
Grip range: 1 - 2,5 mm  
Hardness: SH 65 / density 0,6  
Insert: 29 x 0,5 mm steel  
Min. order: 4.000 m

33.019



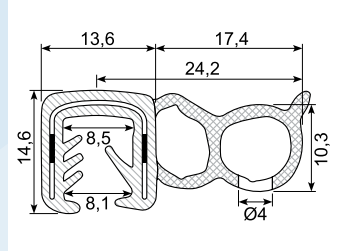
Edge trim: EPDM co-ex  
Grip range: 1 - 4 mm  
Hardness: SH 70 / density 0,6 - 0,85  
Insert: Steel

33.447



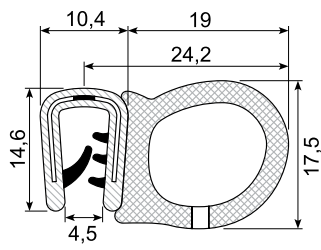
Edge trim: EPDM co-ex  
Grip range: 2,5 - 5 mm  
Hardness: SH 70 / density 0,6  
Insert: Steel

33.455



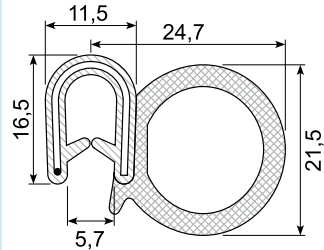
Edge trim: EPDM co-ex  
Grip range: 4 - 6 mm  
Hardness: SH 70 / density 0,6  
Insert: Steel unbroken

33.452X



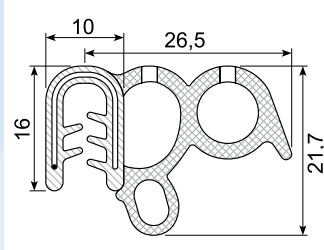
Edge trim: PVC+bi / sponge rubber  
Grip range: 2 - 4 mm  
Hardness: SH 78 / 65  
density 0,65 - 0,75  
Insert: 29 x 0,48 mm

33.326



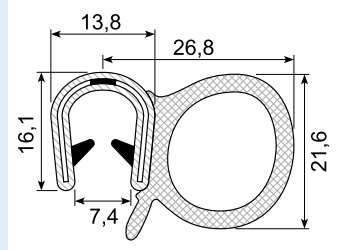
Edge trim: EPDM co-ex  
Grip range: 1,5 - 4 mm  
Hardness: SH70/density 0,55 - 0,85  
Insert: 33 mm wire

33.464



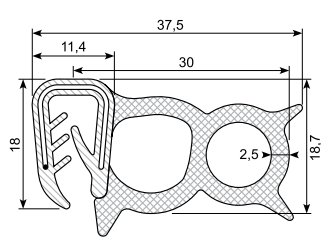
Edge trim: EPDM co-ex  
Grip range: 1,5 - 3,5 mm  
Hardness: SH 70 / density 0,6  
Insert: 31 x 0,75 mm wire

33.331



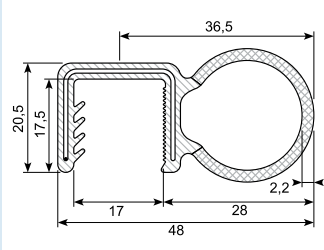
Edge trim: PVC + sponge rubber  
Grip range: 6 - 8 mm  
Hardness: SH75/75 density 0,6-0,85  
Insert: 30 x 0,47 mm steel  
White lips

33.456F



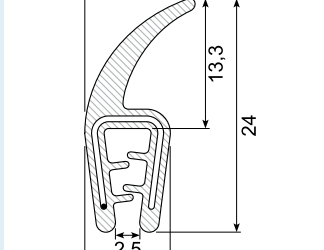
Edge trim: EPDM co-ex  
Grip range: 2 - 4 mm  
Hardness: SH 65 / density 0,6  
Insert: 31 x 0,75 mm wire  
Flame retardent NFF16-101  
Min. order: 3.000 m

33.478



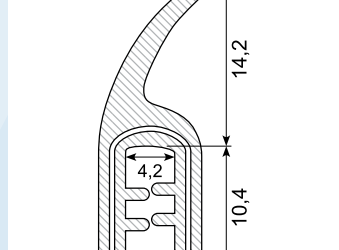
Edge trim: EPDM co-ex  
Grip range: 16 mm  
Hardness: SH 60 / density 0,6  
Insert: 52 x 0,76 mm wire

33.458X



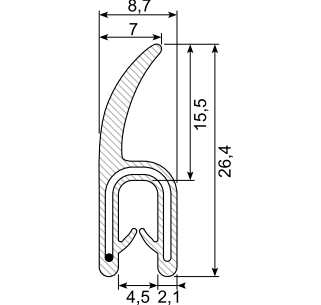
Edge trim: EPDM solid lip  
Grip range: 1 - 2,5 mm  
Hardness: SH 60  
Insert: 26 x 0,76 mm wire

33.458A



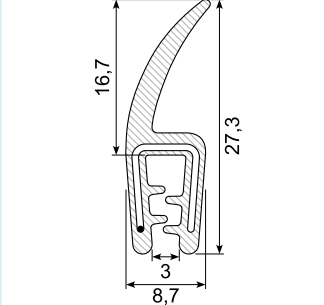
Edge trim: EPDM co-ex  
Grip range: 1 - 3 mm  
Hardness: SH 70  
Insert: Wire

33.465C



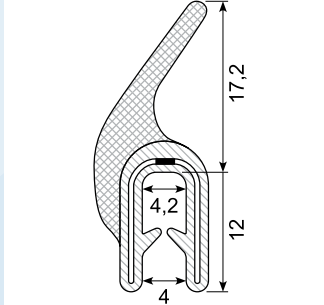
Edge trim: EPDM solid lip  
Grip range: 2 - 4 mm  
Hardness: SH 70  
Insert: 27 x 0,76 mm wire

33.465X



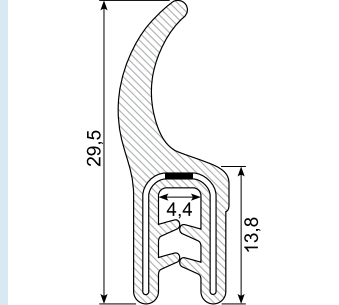
Edge trim: EPDM solid lip  
Grip range: 1 - 3 mm  
Hardness: SH 60  
Insert: 26 x 0,76 mm wire

33.479



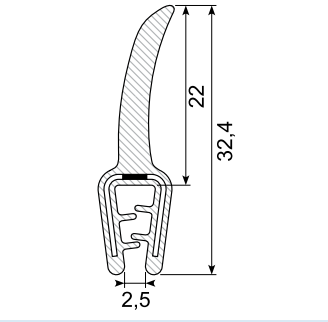
Edge trim: EPDM co-ex  
Grip range: 2 - 4 mm  
Hardness: SH 70 / density 0,6  
Insert: Steel

33.465B \*



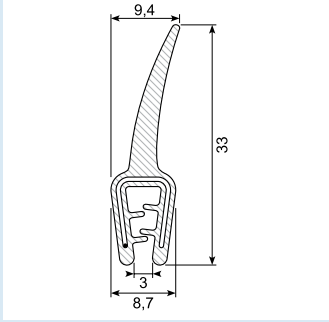
Edge trim: EPDM solid lip  
Grip range: 1 - 3 mm  
Hardness: SH 70  
Insert: 27 x 0,5 mm steel unbroken  
Min. ordre: 3.000 m  
\* Skaffevare / Special order item

**33.459P**



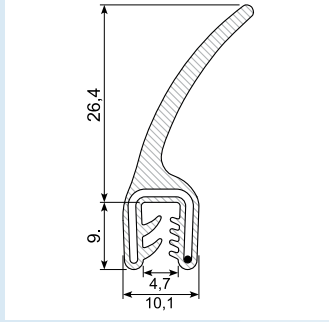
Edge trim: PVC solid lip  
Grip range: 1 - 2,5 mm  
Hardness: SH 57  
Insert: 24 x 0,5 mm steel unbroken

**33.459X**



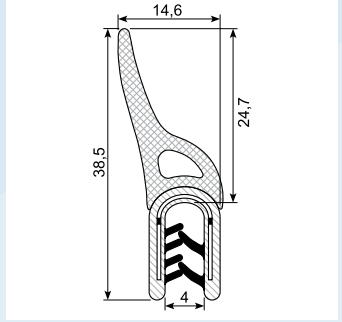
Edge trim: EPDM solid lip  
Grip range: 1 - 2,5 mm  
Hardness: SH 60  
Insert: 26 x 0,76 mm wire

**33.459B**



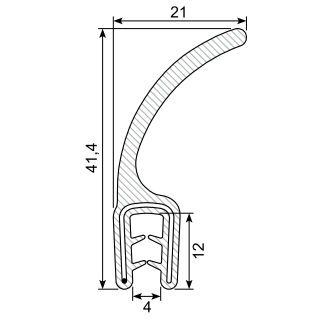
Edge trim: EPDM solid lip  
Grip range: 1,5 - 3 mm  
Hardness: SH 70  
Insert: Wire

**33.475**



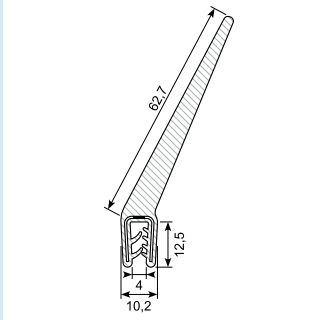
Edge trim: PVC + bi / sponge rubber  
Grip range: 2 - 4 mm  
Hardness: SH 78 / 57 / density 0,55  
Insert: Steel

**33.459C \***



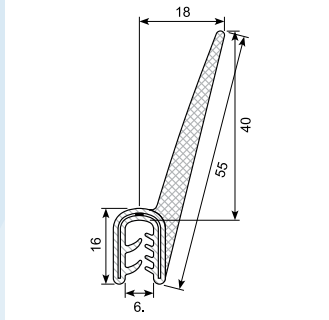
Edge trim: EPDM co-ex, solid lip  
Grip range: 2 - 4 mm  
Hardness: SH 60  
Insert: 29 x 0,76 wire  
Min. order: 6.000 m

**33.382**



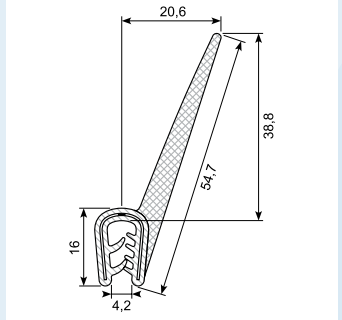
Edge trim: EPDM co-ex, solid lip  
Grip range: 1 - 3,5 mm  
Hardness: SH 70  
Insert: Steel

**33.482**



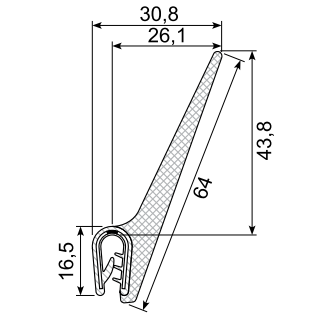
Edge trim: EPDM co-ex, solid lip  
Grip range: 2 - 4,5 mm  
Hardness: SH 70  
Insert: 30 x 0,47 mm steel

**33.483**



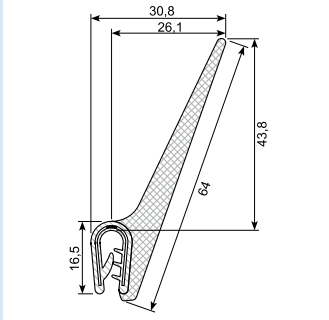
Edge trim: EPDM co-ex, solid lip  
Grip range: 1 - 2,5 mm  
Hardness: SH 70  
Insert: 30 x 0,47 mm steel

**33.460-2C**



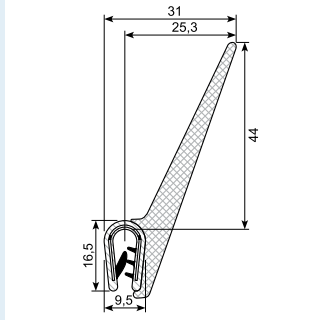
Edge trim: EPDM co-ex  
Grip range: 1 - 2,5 mm  
Hardness: SH 70 / density 0,6  
Insert: 31 x 0,5 mm steel unbroken

**33.460-2F \***



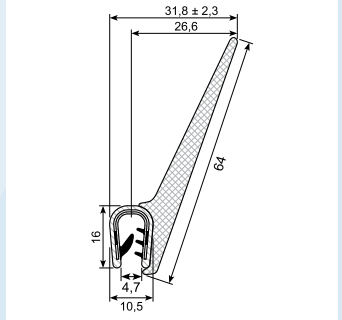
Edge trim: EPDM co-ex  
Grip range: 1 - 2,5 mm  
Hardness: SH 65 / density 0,6  
Insert: 31 x 0,5 mm steel  
**Flame retardant NFF16-101**  
Min. order: 3.000 m

**33.460-2**



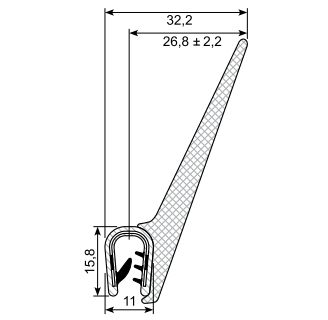
Edge trim: PVC+bi / sponge rubber  
Grip range: 1 - 2,5 mm  
Hardness: SH 78/57 / density 0,6  
Insert: 31 x 0,5 mm steel

**33.460-4**



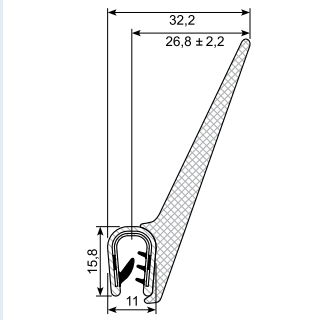
Edge trim: PVC+bi / sponge rubber  
Grip range: 2 - 4 mm  
Hardness: SH 78/57 / density 0,6  
Insert: 31 x 0,5 mm steel

**33.460-6**



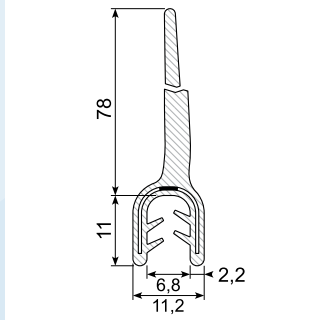
Edge trim: PVC+bi / sponge rubber  
Grip range: 4 - 6 mm 25 m  
Hardness: SH 78/57 / density 0,6  
Insert: 31 x 0,5 mm steel

**33.460-6A**



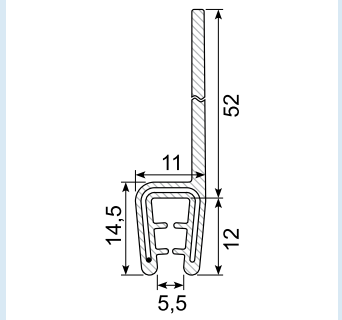
Edge trim: PVC+bi / sponge rubber  
Grip range: 4 - 6 mm 50 m  
Hardness: SH 78/57 / density 0,6  
Insert: 31 x 0,5 mm steel

**33.472**



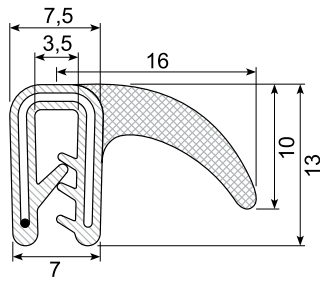
Edge trim: EPDM solid lip  
Grip range: 2 - 4 mm  
Hardness: SH 70  
Insert: 29 x 0,5 mm unbroken

**33.471**



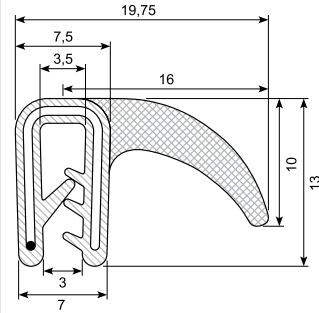
Edge trim: EPDM solid lip  
Grip range: 3 - 4 mm  
Hardness: SH 60 solid lip  
Insert: 29 x 0,76 mm wire

33.443 \*



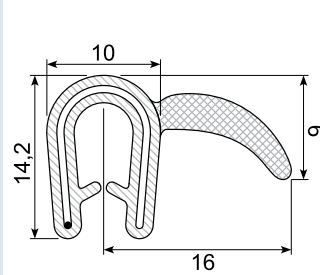
Edge trim: EPDM co-ex  
Grip range: 1 - 2 mm  
Hardness: SH 70 / density 0,55  
Insert: Wire  
Min. order: 5.500 m

33.443X



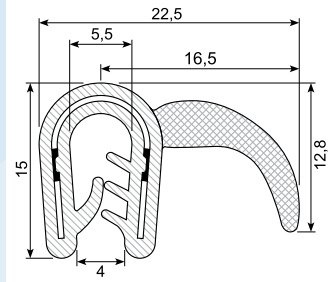
Edge trim: EPDM co-ex  
Grip range: 1 - 2 mm  
Hardness: SH 60 / density 0,6  
Insert: Wire

33.467



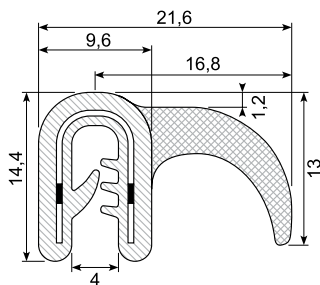
Edge trim: EPDM co-ex  
Grip range: 1,5 - 3,5 mm  
Hardness: SH 70 / density 0,65  
Insert: 29 x 0,76 mm wire  
Min. order: 6.000 m

33.383



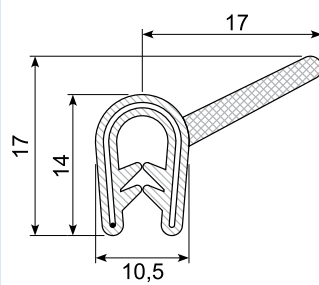
Edge trim: EPDM co-ex  
Grip range: 2 - 4 mm  
Hardness: SH 70 / density 0,6  
Insert: 30 x 0,5 steel

33.385 \*



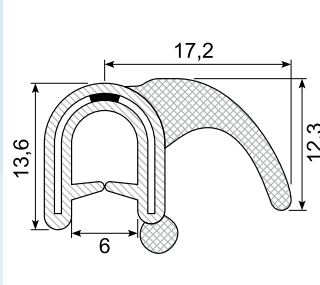
Edge trim: EPDM co-ex  
Grip range: 1 - 2,5 mm  
Hardness: SH 70 / density 0,55  
Insert: 26 x 0,5 steel unbroken  
Min. order: 5.000 m

33.466 \*



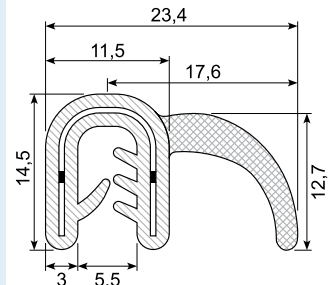
Edge trim: EPDM solid lip  
Grip range: 1 - 2,5 mm  
Hardness: SH 60  
Insert: 26 x 0,76 mm wire  
Min. order: 6.000 m

33.474



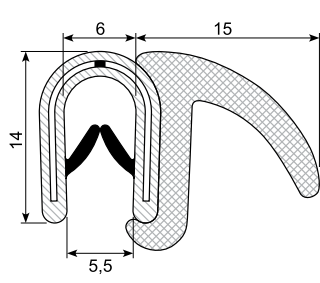
Edge trim: EPDM co-ex  
Grip range: 2 - 5 mm  
Hardness: SH 70 / density 0,6 - 0,85  
Insert: 27 mm steel

33.384 \*



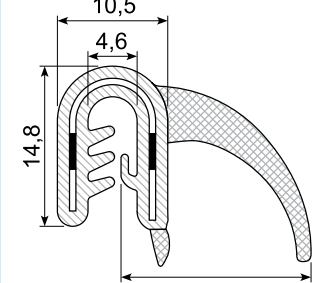
Edge trim: EPDM co-ex  
Grip range: 1,25 - 2 mm  
Hardness: SH 75 / density 0,6  
Insert: 29 x 0,5 mm steel broken  
Min. order: 5.000 m

33.439A



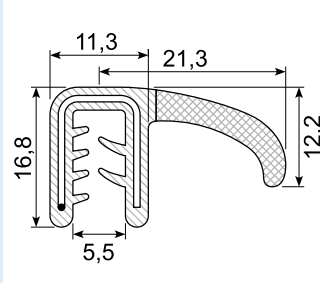
Edge trim: PVC+bi / sponge rubber  
Grip range: 1 - 4 mm  
Hardness: SH 78/57 / density 0,6  
Insert: 26 x 0,5 mm steel  
Yellow lips

33.026



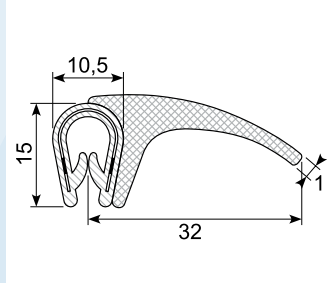
Edge trim: EPDM co-ex  
Grip range: 1,5 - 2 mm (1 - 3,5 mm)  
Hardness: SH 70 / density 0,55  
Insert: 26 x 0,76 mm wire

33.436



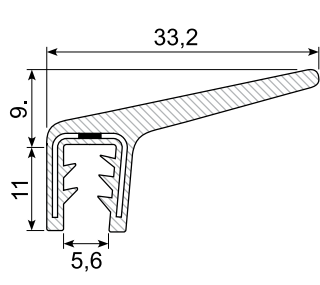
Edge trim: EPDM co-ex  
Grip range: 2 - 4 mm  
Hardness: SH 70 / density 0,6  
Insert: 33 mm wire

33.442



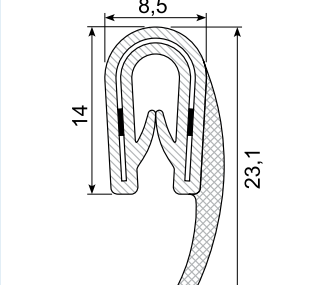
Edge trim: EPDM co-ex  
Grip range: 1 - 3 mm  
Hardness: SH 70 / density 0,65  
Insert: 29 mm steel

33.473



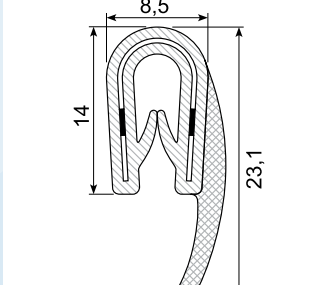
Edge trim: EPDM co-ex  
Grip range: 2 - 5 mm  
Hardness: SH 70  
Insert: 27 x 0,47 mm steel

33.462 \*



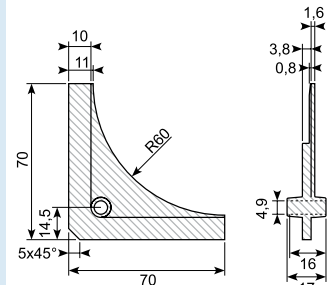
Edge trim: PVC / sponge rubber  
Grip range: 1 - 2,5 mm  
Hardness: SH 78/density 0,65 - 0,75  
Insert: 25 x 0,48 mm steel  
Min. order: 1.000 m

33.462R



Edge trim: PVC / sponge rubber  
Grip range: 1 - 2,5 mm  
Hardness: SH 78/density 0,65 - 0,75  
Insert: 25 x 0,48 mm stainless steel

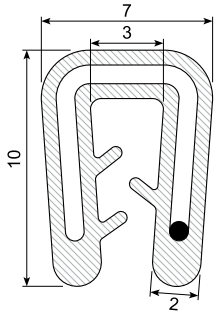
33.000



Nylon hjørnestykke  
PA6 + 30% GF  
Sikrer korrekt hjørneradius

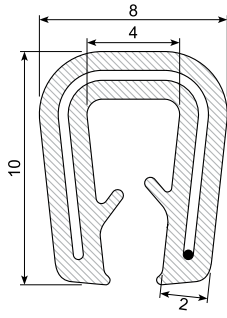
\* Skaffevare / Special order item

**33.311**



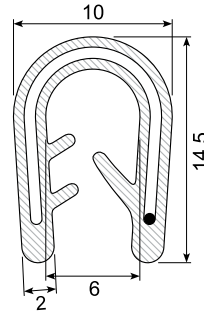
Edge trim: Black silicone  
Grip range: 1 - 2 mm  
Hardness: SH 60  
Insert: Wire 18 x 0,76 mm  
Heat resistant 200° C

**33.510**



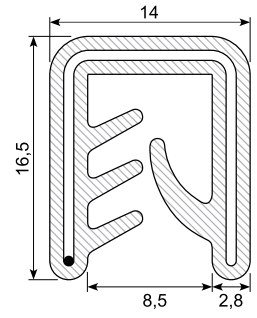
Edge trim: Black silicone  
Grip range: 1 - 3 mm  
Hardness: SH 60  
Insert: Wire 26 x 0,76 mm  
Heat resistant 200° C

**33.312**



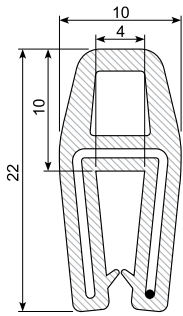
Edge trim: Silicone  
Grip range: 2 - 4 mm  
Hardness: SH 60  
Insert: Wire  
Heat resistant 200° C

**33.429**



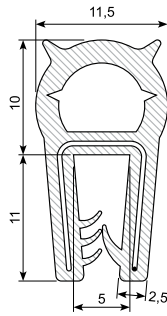
Edge trim: Black silicone  
Grip range: 3 - 6 mm (5 - 7 mm)  
Hardness: SH 60  
Insert: Wire 39 x 0,76 mm  
Heat resistant 200° C

**33.511**



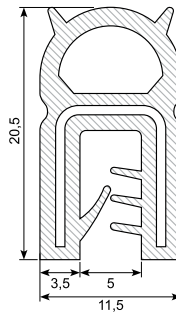
Edge trim: Silicone  
Grip range: 1,5 - 4 mm  
Hardness: SH 50  
Insert: Wire  
Heat resistant 200° C

**33.512**



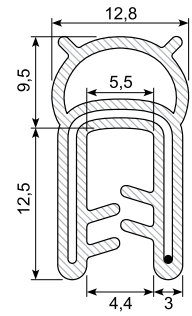
Edge trim: Silicone  
Grip range: 1 - 3,5 mm  
Hardness: SH 50  
Insert: Wire  
Heat resistant 200° C

**33.513**



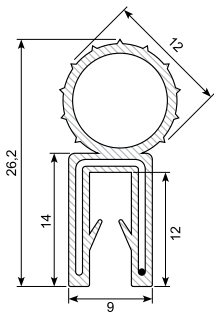
Edge trim: Silicone  
Grip range: 1,5 - 3,5 mm  
Hardness: SH 50  
Insert: Wire  
Heat resistant 200° C

**33.431A**



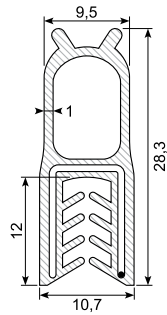
Edge trim: Silicone. Light gray  
RAL 7035  
Grip range: 2 - 4 mm  
Hardness: SH 60/60 Solid balloon  
Insert: Wire  
Heat resistant 200°C. FDA conform

**33.514**



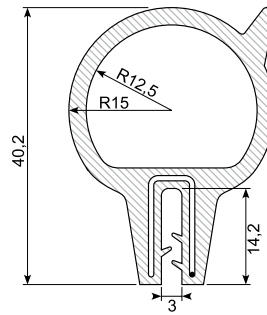
Edge trim: Silicone  
Grip range: 1,5 - 3 mm  
Hardness: SH 75  
Insert: Wire  
Heat resistant 200° C

**33.515**



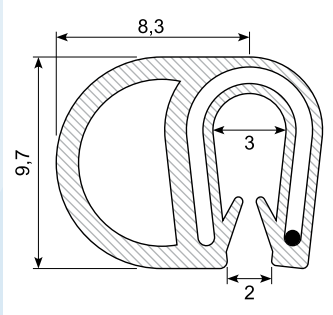
Edge trim: Silicone  
Grip range: 1 - 2,5 mm  
Hardness: SH 75  
Insert: Wire  
Heat resistant 200° C

**33.516**



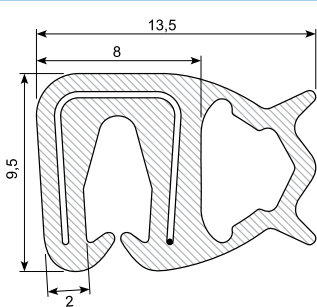
Edge trim: Silicone  
Grip range: 2 - 3 mm  
Hardness: SH 75  
Insert: Wire  
Heat resistant 200° C

**33.517**



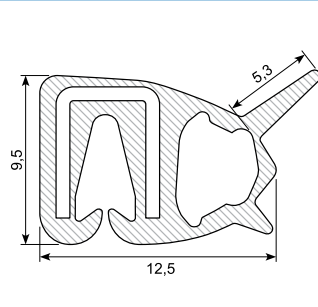
Edge trim: Silicone  
Grip range: 2 - 3 mm  
Hardness: SH 50  
Insert: Wire  
Heat resistant 200° C

**33.518 \***



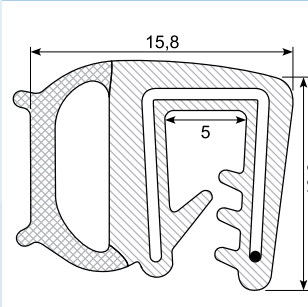
Edge trim: White silicone  
Grip range: 1,5 - 2,5 mm  
Hardness: SH 60  
Insert: Wire  
Min. order: 500 m

**33.519**



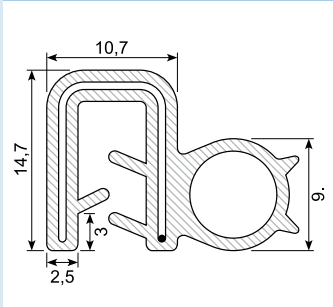
Edge trim: Silicone  
Grip range: 1 - 2 mm  
Hardness: SH 45  
Insert: Wire  
Heat resistant 200° C

**33.520 \***



Edge trim: Silicone, co-ex.  
Color: Black and redbrown  
Grip range: 1,5 - 3 mm  
Hardness: SH 60 / density 0,4  
Insert: Wire  
Min. order: 500 m

**33.521**

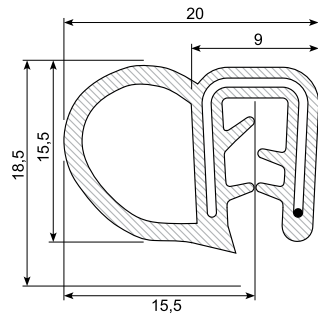


Edge trim: Silicone  
Grip range: 1,5 - 4,5 mm  
Hardness: SH 75  
Insert: Wire  
Heat resistant 200° C

\* Skaffevare / Special order item

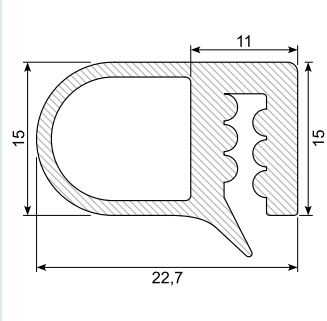


**33.522 \***



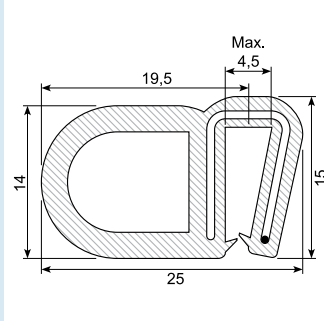
Edge trim: Silicone  
Grip range: 1 - 2,5 mm  
Insert: Wire  
Heat resistant 200° C  
Min. order: 2.000 m

**33.523 \***



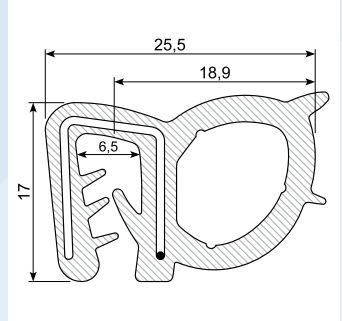
Edge trim: Silicone  
Grip range: 1,5 - 2,5 mm  
Hardness: SH 60  
Insert: Wire  
Heat resistant 200° C  
Min. order: 500 m

**33.524**



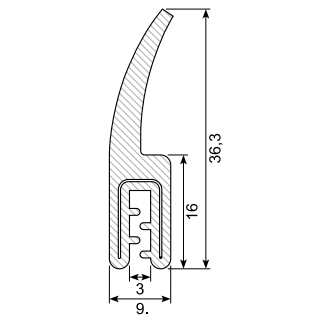
Edge trim: Silicone  
Grip range: 2 - 4 mm  
Hardness: SH 50  
Insert: Wire  
Heat resistant 200° C

**33.525**



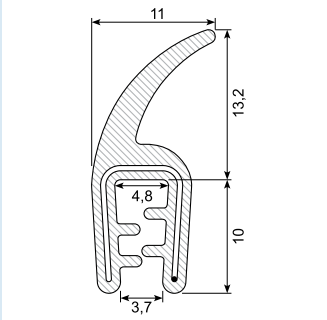
Edge trim: Silicone  
Grip range: 3 - 6 mm  
Hardness: SH 50  
Insert: Wire  
Heat resistant 200° C

**33.526 \***



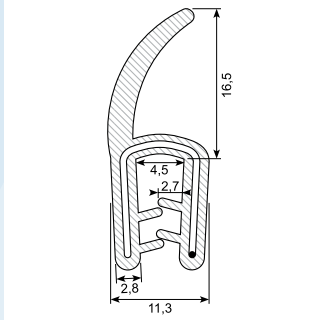
Edge trim: Silicone  
Grip range: 1 - 2,5 mm  
Hardness: SH 65  
Insert: Wire  
Heat resistant 200° C

**33.527 \***



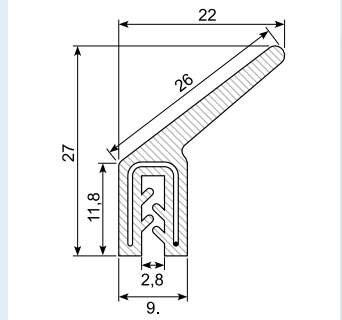
Edge trim: Silicone  
Grip range: 1 - 2,5 mm  
Hardness: SH 65  
Insert: Wire  
Heat resistant 200° C

**33.528 \***



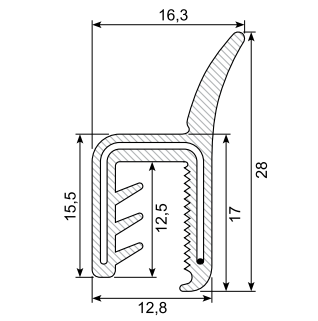
Edge trim: Silicone  
Grip range: 1 - 3 mm  
Hardness: SH 60  
Insert: Wire  
Heat resistant 200° C

**33.529 \***



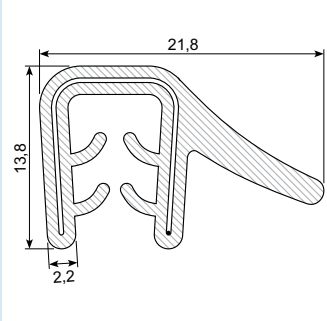
Edge trim: Silicone  
Grip range: 1 - 1,5 mm  
Hardness: SH 80  
Insert: Wire  
Heat resistant 200° C  
Min. order: 500 m

**33.530 \***



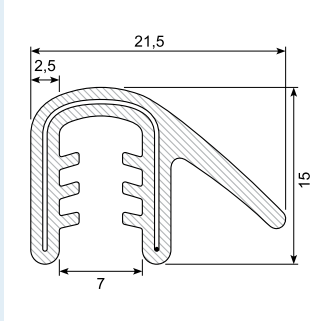
Edge trim: Silicone  
Grip range: 3,5 - 5 mm  
Hardness: SH 70  
Insert: Wire  
Heat resistant 200° C  
DIN 5510-2 S4ST2

**33.531 \***



Edge trim: Silicone  
Grip range: 2,5 - 5,5 mm  
Hardness: SH 70  
Insert: Wire  
Heat resistant 200° C  
Min. order: 500 m

**33.532 \***



Edge trim: Silicone  
Grip range: 5,5 - 6,5 mm  
Hardness: SH 65  
Insert: Wire  
Heat resistant 200° C

## POM-profiler / POM edge trims

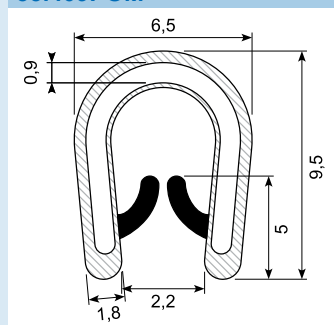
### POM-profiler

- En meget mere fleksibel opbygning med dets hukommelseffekt
- POM-profiler vejer meget mindre end profiler med metal indlæg
- POM-profiler kan ikke ruste eller oxidere
- Fremstillingen af POM-profiler er meget nemmere end profiler med metal indlæg
- Større sikkerhed ved montering. Man undgår rifter fra skarpe metalstykker
- POM-indlæg er ikke ledende som metal og kan derfor anvendes til beskyttelse eller overflade materiale

### POM-profiles

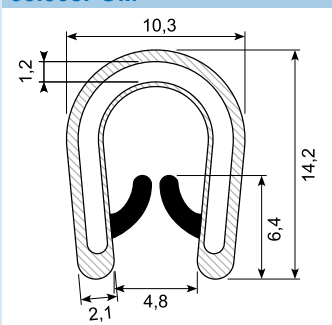
- A much more flexible structure with its memory effect
- POM-supported profiles is much lighter than metal-based profiles
- Over time, no metallic corrosion and oxidize
- Processing of manufacturing for POM-backed profiles is much easier than metal-backed profiles
- During installation does not damage human health such as sinking or cutting
- POM is not conductive support material, such as metal supports therefore wherever used in protection and coating material

33.409POM



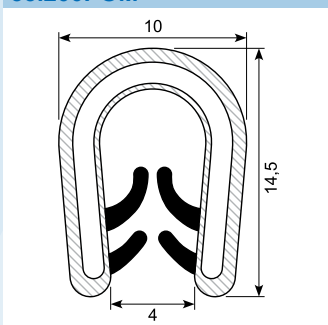
Edge trim: PVC + bi  
Grip range: 0,5 - 2 mm  
Hardness: SH 75 / 65  
Insert: POM plastic  
No rust. Easy cutting.

33.308POM



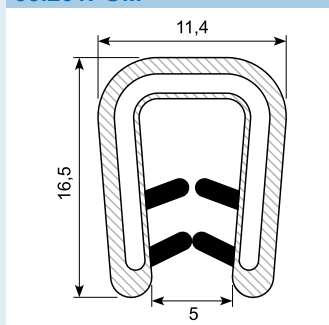
Edge trim: PVC + bi  
Grip range: 2 - 4,5 mm  
Hardness: SH 75 / 65  
Insert: POM plastic  
No rust. Easy cutting.

33.200POM



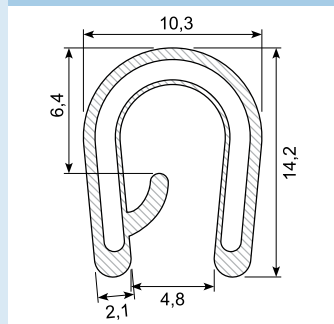
Edge trim: PVC + bi  
Grip range: 1 - 4 mm  
Hardness: SH 75 / 65  
Insert: POM plastic  
No rust. Easy cutting.

33.201POM



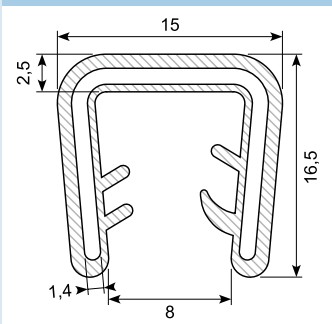
Edge trim: PVC + bi  
Grip range: 2 - 4 mm  
Hardness: SH 75 / 65  
Insert: POM plastic  
No rust. Easy cutting.

33.202POM



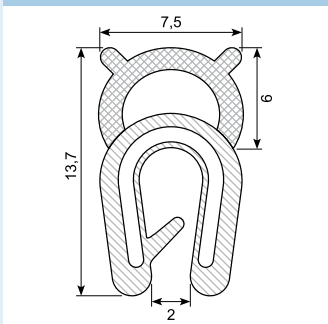
Edge trim: PVC + bi  
Grip range: 4 - 6 mm  
Hardness: SH 75 / 65  
Insert: POM plastic  
No rust. Easy cutting.

33.203POM



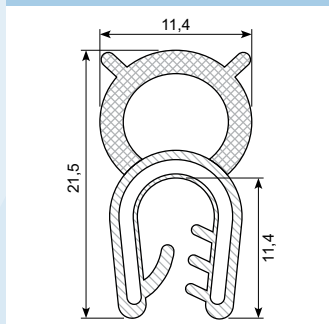
Edge trim: PVC + bi  
Grip range: 6 - 8 mm  
Hardness: SH 75 / 65  
Insert: POM plastic  
No rust. Easy cutting.

33.210POM



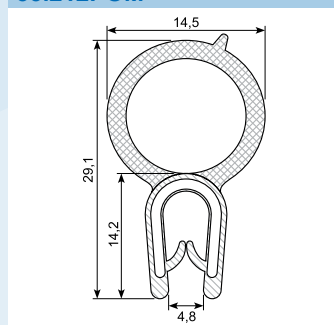
Edge trim: TPE co-ex  
Grip range: 1 - 2 mm  
Hardness: SH 75 / density 0,65  
Insert: POM plastic  
No rust. Easy cutting.

33.211POM



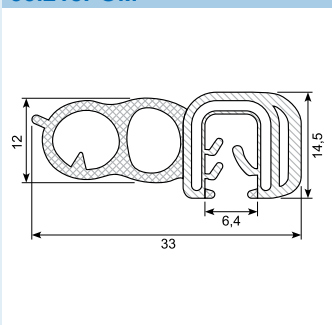
Edge trim: TPE co-ex  
Grip range: 1 - 4 mm  
Hardness: SH 75 / density 0,65  
Insert: POM plastic  
No rust easy cutting

33.212POM



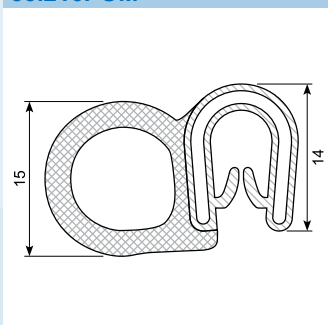
Edge trim: TPE co-ex  
Grip range: 2 - 4 mm  
Hardness: SH 75 / density 0,65  
Insert: POM plastic  
No rust easy cutting

33.218POM



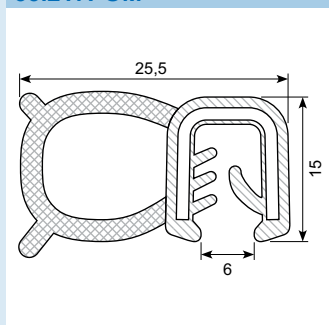
Edge trim: TPE co-ex  
Grip range: 3 - 5 mm  
Hardness: SH 75 / density 0,65  
Insert: POM plastic  
No rust easy cutting

33.216POM



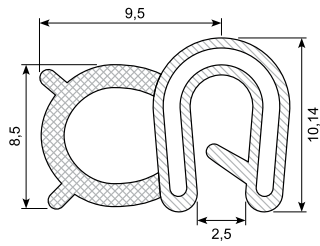
Edge trim: TPE co-ex  
Grip range: 1 - 4 mm  
Hardness: SH 75 / density 0,65  
Insert: POM plastic  
No rust easy cutting

33.217POM



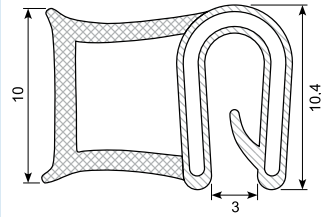
Edge trim: TPE co-ex  
Grip range: 4 - 6 mm  
Hardness: SH 75 / density 0,65  
Insert: POM plastic  
No rust easy cutting

33.213POM



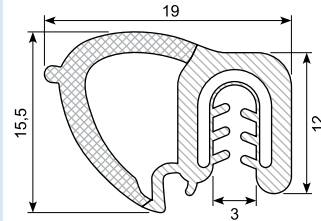
Edge trim: TPE co-ex  
 Grip range: 1 - 2 mm  
 Hardness: SH 75 / density 0,65  
 Insert: POM plastic  
 No rust easy cutting

33.214POM



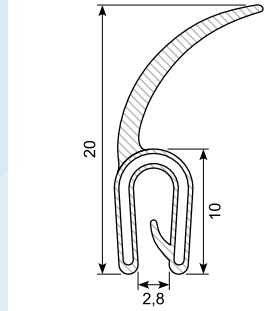
Edge trim: TPE co-ex  
 Grip range: 1 - 2 mm  
 Hardness: SH 75 / density 0,65  
 Insert: POM plastic  
 No rust easy cutting

33.215POM



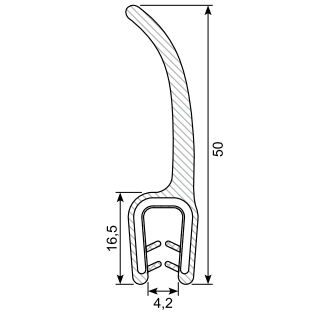
Edge trim: TPE co-ex  
 Grip range: 1 - 2 mm  
 Hardness: SH 75 / density 0,65  
 Insert: POM plastic  
 No rust easy cutting

33.220POM



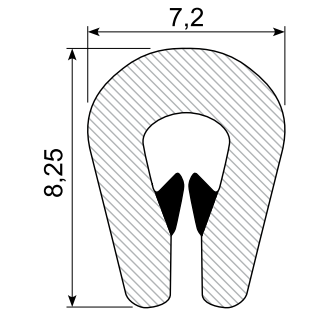
Edge trim: TPE  
 Grip range: 1 - 2 mm  
 Hardness: SH 75 / density 0,65  
 Insert: POM plastic  
 No rust easy cutting

33.221POM



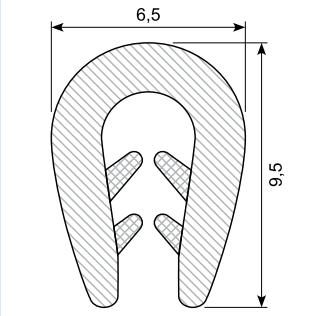
Edge trim: TPE  
 Grip range: 2 - 4 mm  
 Hardness: SH 75 solid  
 Insert: POM plastic  
 No rust easy cutting

33.424 \*



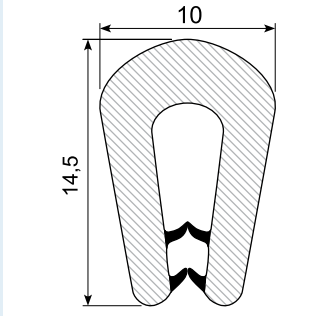
Edge trim: TPE + bi  
 Grip range: 0,8 - 2,5 mm  
 Hardness: SH 87 / 65 - 70  
 Insert: None  
 Alternative 33.424TPE

33.424TPE



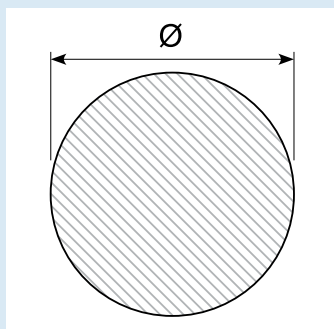
Edge trim: TPE + bi  
 Grip range: 1 - 2 mm  
 Hardness: SH 90 / 50  
 Insert: None

33.417TPE



Edge trim: TPE + bi  
 Grip range: 1 - 4 mm  
 Hardness: SH 90 / 50  
 Insert: None

## Gummisnor / Rubber cord profiles



Black EPDM  
Shore A 65 - 70

Art	Ø mm
30.101 *	1
30.101.25 *	1,25
30.101.5	1.5
30.102	2
30.102E	2 (single cord)
30.103E *	3
30.104E *	4
30.104.5E	4,5
30.105E	5
30.106E	6
30.107E *	7
30.108E	8
30.109E	9
30.110E	10
30.112E *	12
30.113E	13
30.114E *	14
30.115E *	15
30.116E *	16
30.117E	17
30.118E	18
30.119E	19
30.120E	20
30.121E	21
30.122E	22
30.124E	24
30.125E *	25
30.135E	35 (SH 75)

Black CR  
Shore A 60

Art	Ø mm
30.103CR *	3
30.103.5CR *	3,5
30.104CR *	4
30.104.5CR *	4,5
30.105CR *	5
30.105.3CR *	5,3
30.105.7CR *	5,7
30.106CR *	6
30.106.5CR *	6,5
30.107CR *	7
30.107.5CR *	7,5
30.108CR *	8
30.108.4CR *	8,4
30.109CR *	9
30.109.5CR *	9,5
30.110CR *	10
30.111CR *	11
30.112CR *	12
30.113CR *	13
30.114CR *	14
30.115CR *	15
30.116CR *	16
30.118CR	18
30.120CR *	20
30.122CR *	22
30.125CR *	25
30.130CR *	30
30.132CR *	32
30.140CR *	40

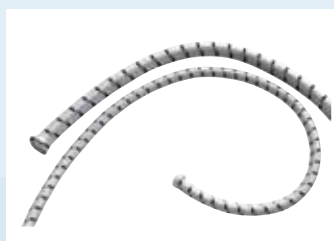
Black NBR  
Shore A 65

Art	Ø mm
30.103NBR	3
30.103.5NBR *	3,5
30.104NBR *	4
30.104.5NBR *	4,5
30.105NBR	5
30.105.3NBR *	5,3
30.105.7NBR *	5,7
30.106NBR *	6
30.106.5NBR *	6,5
30.107NBR *	7
30.107.5NBR *	7,5
30.108NBR *	8
30.108.4NBR *	8,4
30.109NBR *	9
30.109.5NBR *	9,5
30.110NBR *	10
30.111NBR *	11
30.112NBR *	12
30.113NBR *	13
30.114NBR *	14
30.116NBR *	16
30.118NBR *	18
30.120NBR *	20
30.122NBR *	22
30.125NBR *	25
30.130NBR *	30
30.132NBR *	32
30.140NBR *	40

White SILICONE  
Shore A 60

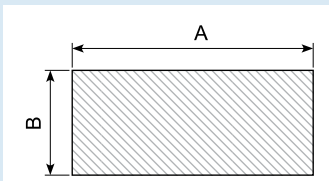
Art	Ø mm
30.103SIH *	3
30.104SIH *	4
30.106SIH *	6
30.108SIH	8

## Elastiksnor / Rubber cord



Art.	Ø (mm)
50.260-4	4
50.260-5	5
50.260-6	6
50.260-8	8
50.260-10	10

\* Skaffevare / Special order item

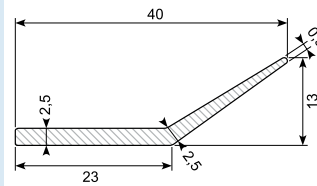


Material: EPDM

Art.	A (mm)	B (mm)	Hardness	Min. order (m)	Adhesive
30.29168	12	1	SH 65	2.000	X
30.A018615	18,6	1,5	SH 65		
30.601 *	65	2,5	SH 65	500	
30.600	30	3	SH 65		
30.602	50	3	SH 65		
30.12932-3 *	50	4	SH 60	600	
30.A02005	20	5	SH 65		
30.A02505	25	5	SH 65		
30.A03305	33	5	SH 65		
30.A05005	50	5	SH 65		
30.A06705	67	5	SH 65		
30.A07505	75	5	SH 65		
30.A10005	100	5	SH 65		
30.23464	150	5	SH 65		X
30.A03006	30	6	SH 65		
30.A05808	58	8	SH 65		
30.12932-4 *	23	10	SH 60	500	
30.A03310	33	10	SH 65		
30.A05010	50	10	SH 65		
30.A06710	67	10	SH 65		
30.A10010	100	10	SH 65		

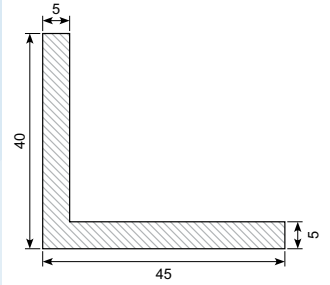
Other sizes can be obtained on request.

30.262S



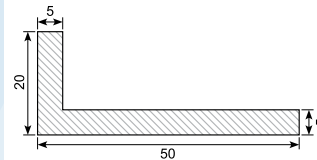
Material: EPDM black  
Hardness: SH 65 - 75

30.WI660



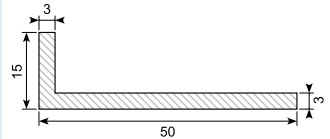
L-profile  
Internal: 35 x 40 x 5 mm  
External: 40 x 45 x 5 mm

30.WI747



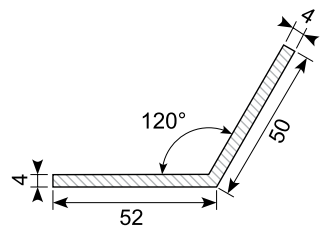
Material: EPDM  
Hardness: SH 60

30.9691-2 \*



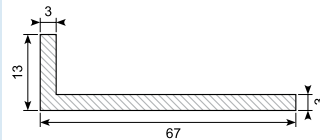
Material: White EPDM  
Min. order: 504 m

30.7367



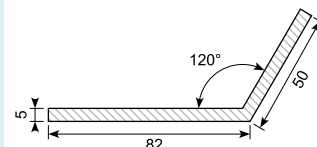
Material: CR black  
Hardness: SH 65  
Conditional oil resistant

30.9691-5 \*



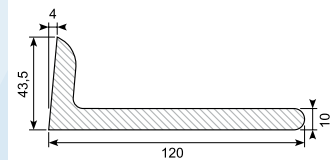
Material: White EPDM  
Hardness: SH 65  
Min. order: 504 m

30.7696



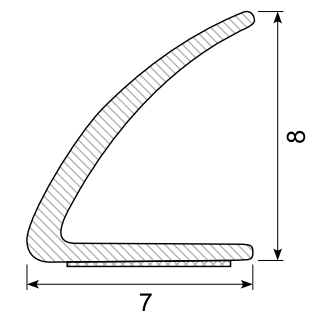
Material: CR black  
Hardness: SH 65  
Conditional oil resistant

30.12759



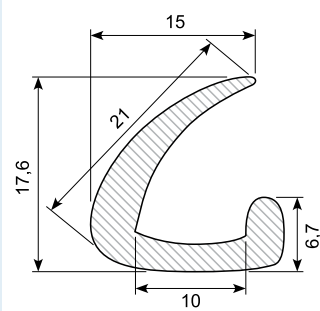
Material: Black EPDM  
Hardness: SH 60A

30.OT1024 / 30.OT1024B



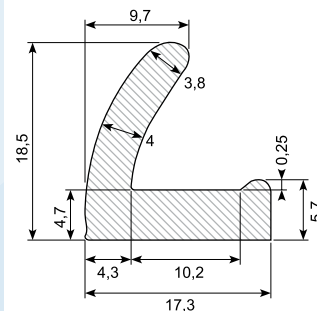
Material: Silicone with adhesive  
Hardness: SH 60  
30.OT1024 white  
30.OT1024B black  
30.OT1024KPC transparent

30.216S



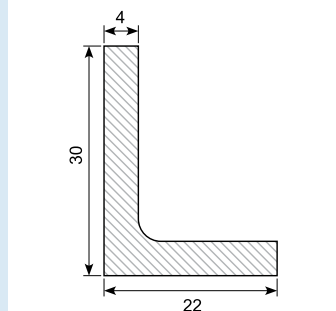
Material: EPDM black  
Hardness: SH 65

30.218S



Material: EPDM black  
Hardness: SH 75 - 81

30.220L

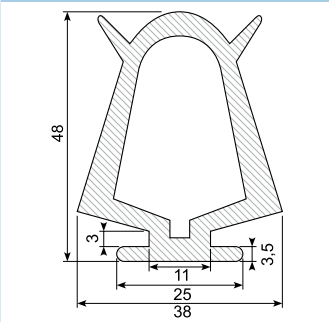


Material: CR black  
Hardness: SH 65  
Length: 6,5 m  
Conditional oil resistant

\* Skaffevare / Special order item

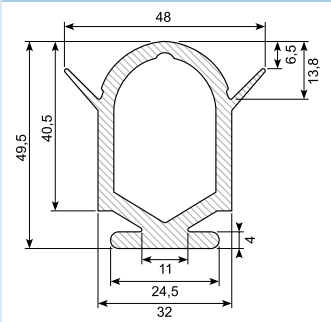
# Specialprofiler / Special profiles

30.331



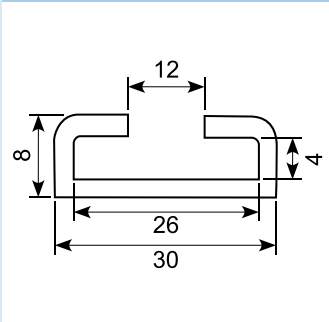
Material: EPDM black  
Hardness: SH 70

30.9996-10



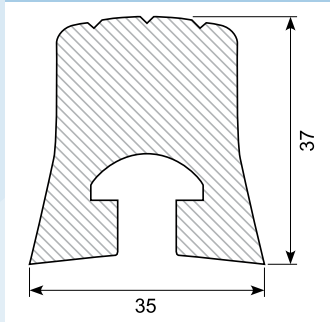
Material: EPDM  
Hardness: SH 70

41.675A - 41.674A



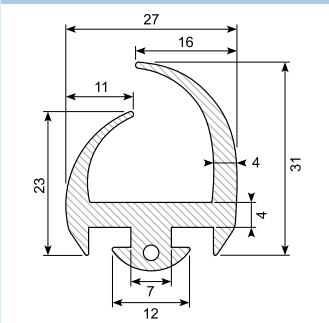
Material: Aluminium  
41.675A: 5,2 m, untreated  
41.674A: 5 m, anodized

39.1208P



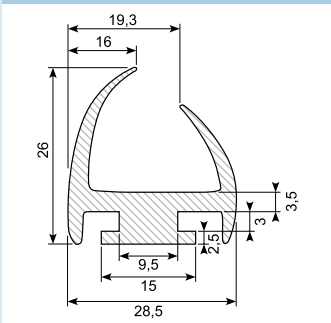
Fender profile with channel  
Material: PE  
Length: 3 m

30.12957-1 \*\*



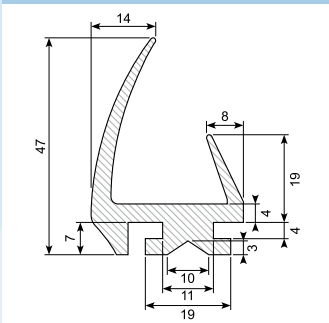
Material: EPDM  
Hardness: SH 65  
Length: 2,5 m

30.7933



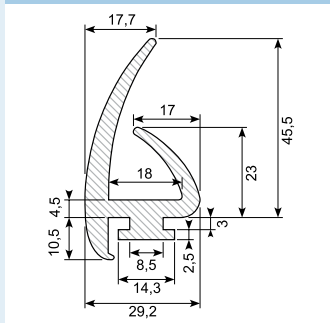
H-profile for aluminium rail  
Material: EPDM  
Hardness: SH 70

30.12957-2 \*\*



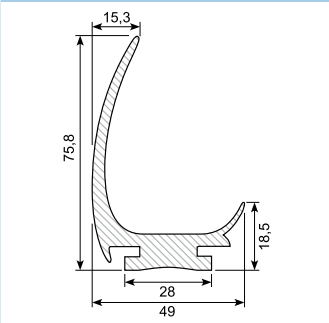
Material: EPDM  
Hardness: SH 65  
Length: 4,3 m

30.7932



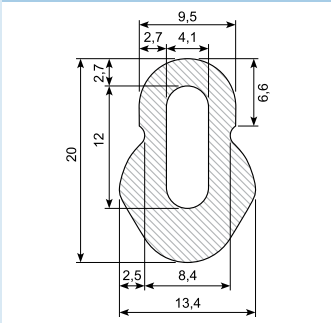
Rubber profile for alu. track  
Material: EPDM  
Hardness: SH 70

30.7935 \*\*



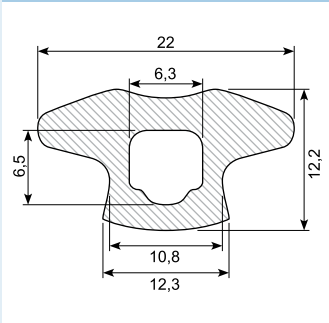
Material: EPDM black  
Hardness: SH 65  
Length: 2,8 m  
Min. order: 120 m

30.7853X



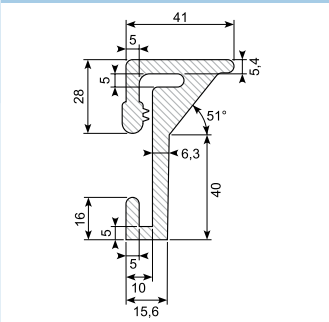
Material: Black EPDM

30.7652



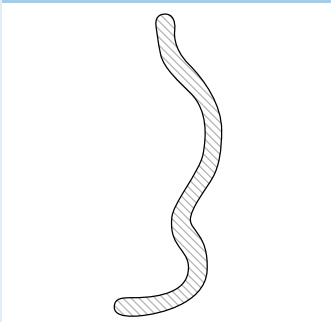
Rubber profile  
Material: EPDM  
Hardness: SH 65

30.333



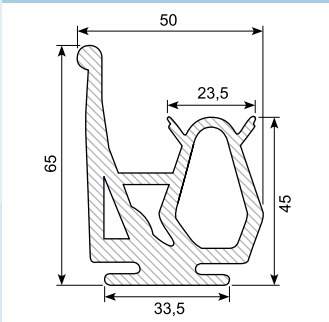
L-profile  
Material: EPDM  
Hardware: SH 70  
Roll of 50 m

41.333S



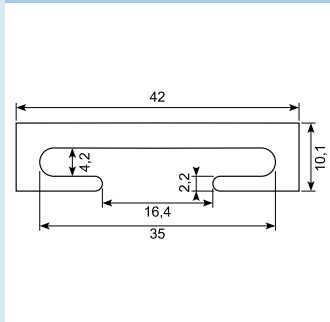
Steel profile for mounting of rubber profile 30.333  
Length: 2,6 m

30.8469 \*



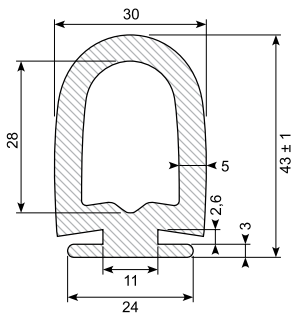
Rubber profile with drip cap  
For loading tail board  
Material: EPDM  
Hardness: SH 67  
Length: 8 m  
Min. order: 80 m

41.678



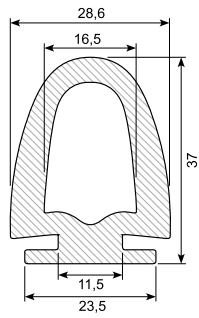
Alu c-profil 42 x 10 mm  
Length 5,2 m  
Fits to 30.8469

30.325X



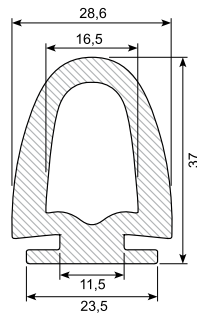
Material: EPDM black  
Hardness: SH 65  
Length: 5 m

30.324S



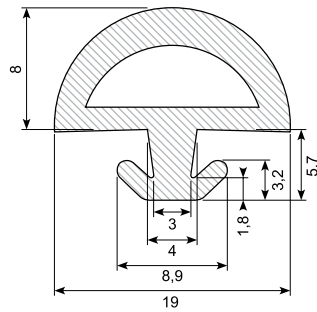
Material: EPDM black  
Hardness: SH 65  
Length: 5 m

30.324SB



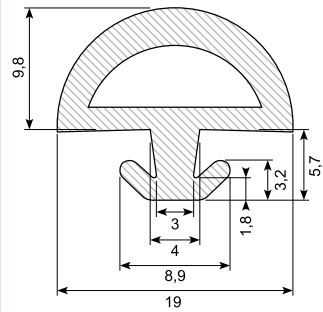
Material: EPDM black  
Hardness: SH 45 (soft)  
Length: 5 m

30.7649-8 \*



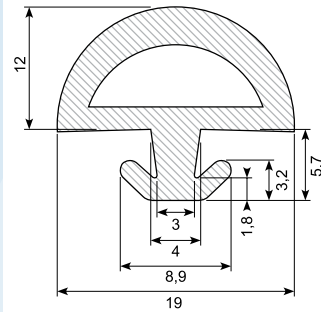
D-weatherstrip  
Material: EPDM Black  
Hardness: SH 60  
Min. order: 1.000 m

30.7649



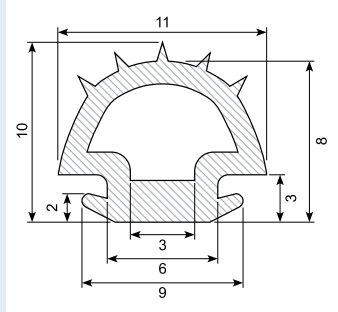
D-weatherstrip  
Material: EPDM Black  
Hardness: SH 60

30.7649-12 \*



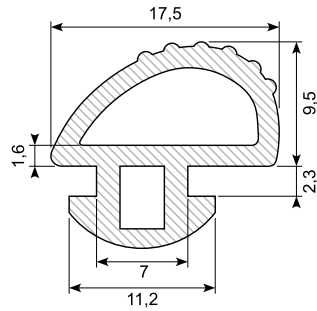
D-weatherstrip  
Material: EPDM Black  
Hardness: SH 60  
Min. order: 1.000 m

30.12957-3



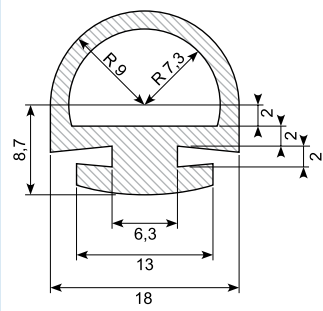
Material: EPDM  
Hardness: SH 60

30.14098-2



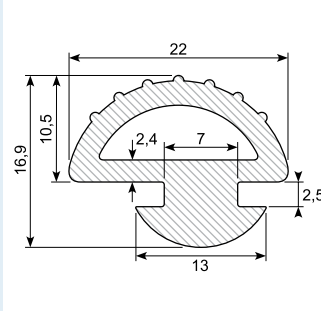
Material: EPDM  
Hardness: SH 60A

30.9691-3



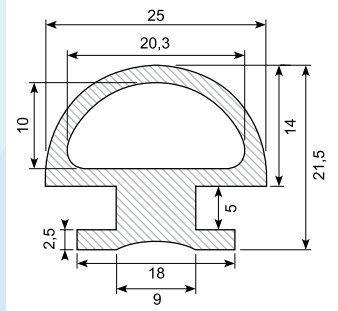
Material: Black EPDM  
Hardness: SH 65

30.7650



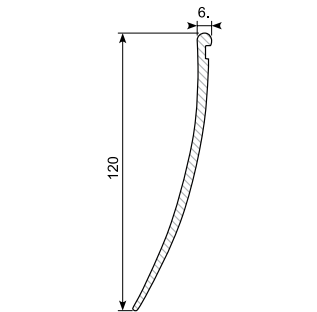
D-weatherstrip  
Material: EPDM  
Hardness: SH 70

30.5881



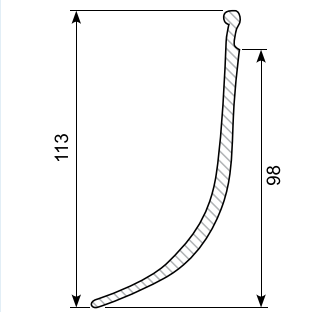
Material: CR black  
Hardness: SH 65  
Conditional oil resistant

30.2151 \*



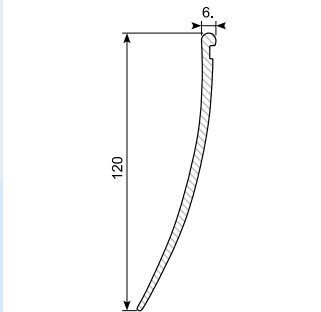
Skirt profile  
Hardness: PVC white  
Roll of 14 m  
Min. order: 560 m

30.6648



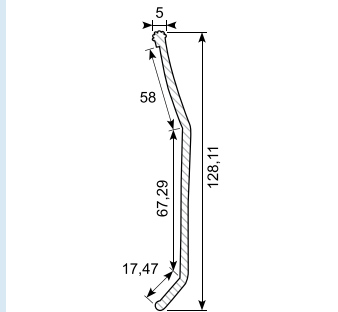
Skirt profile  
Hardness: SH 75  
30.6648: Black EPDM  
30.6648G: Grey TPE  
30.6648S: Black TPE

30.2151S \*



Material: Black PVC  
Hardness: SH 75 - 80  
Min. order: 280 m

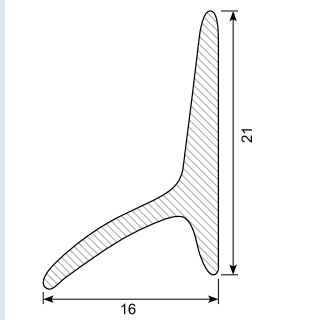
30.2566



Skirt profile  
Material: PVC black  
Hardness: SH 80  
Height: 125 mm  
Length: 1 m  
Roll of 64 m

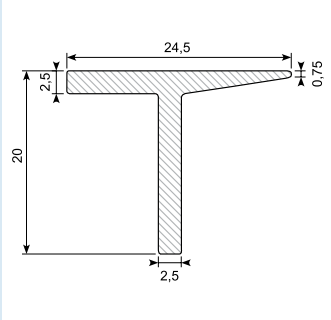
\* Skaffevare / Special order item

**30.257S**



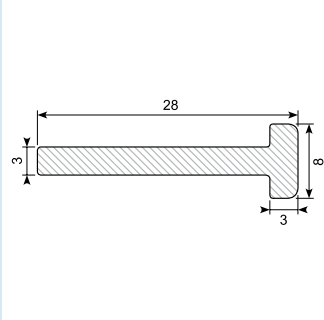
Material: EPDM black  
Hardness: SH 65

**30.258 \***



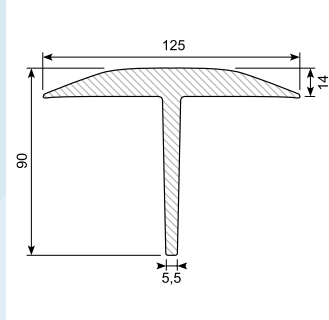
Material: EPDM black

**30.5560 \***



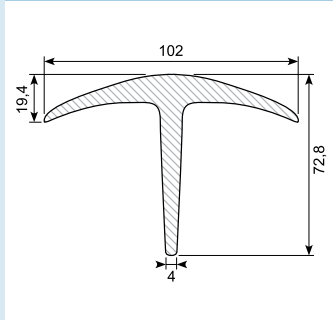
Material: EPDM black  
Hardness: SH 65  
Min. order: 450 m

**30.7780/4**



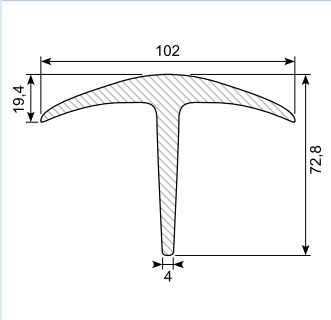
Material: EPDM black  
Hardness: SH 65  
Length: 4 m

**30.7300 - 30.7300/4**



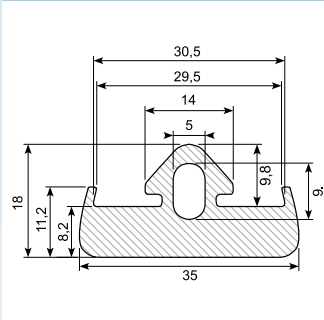
Material: EPDM black  
Hardness: SH 65  
Length 30.7300: 3 m  
Length 30.7300/4: 4 m

**30.7300/4Y \***



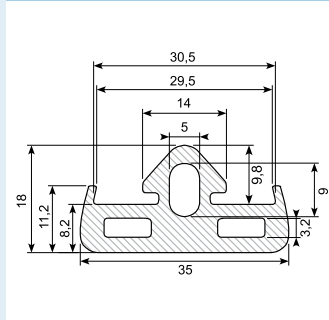
Material: EPDM yellow  
Hardness: SH 65  
Min. order: 64 m

**30.6944 \***



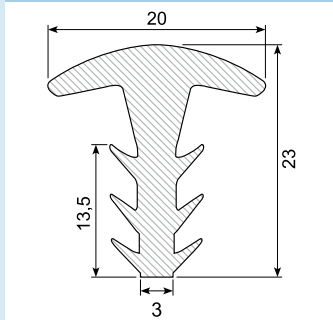
Material: EPDM black  
Hardness: SH 65  
Min. order: 200 m

**30.5550M**



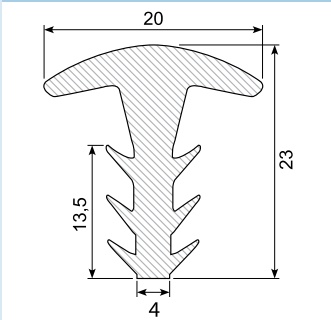
Material: EPDM black  
Hardness: SH 65

**30.2653 \***



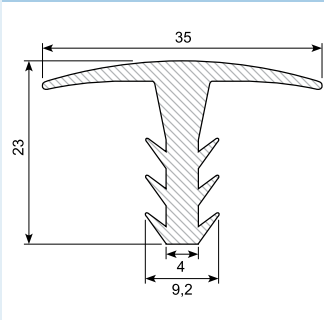
Material: EPDM black  
Hardness: SH 65  
Min. order: 1.000 m

**30.5981**



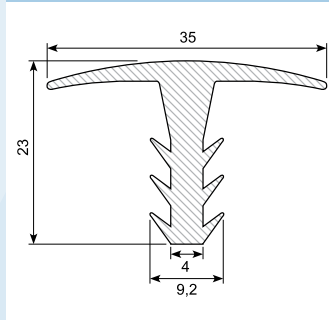
Material: EPDM black  
Hardness: SH 65

**30.8199**



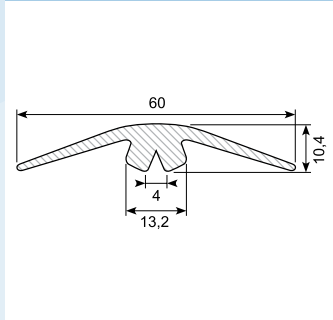
Material: EPDM black  
Hardness: SH 65  
Length: 4 m

**30.8199W**



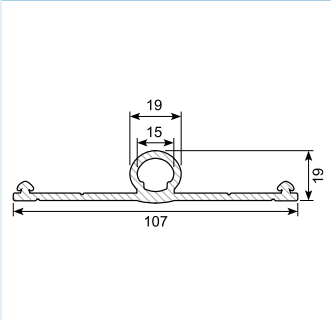
Material: EPDM white  
Hardness: SH 65  
Length: 4 m  
Min. order: 223 m

**30.6759**



Material: EPDM black  
Hardness: SH 65

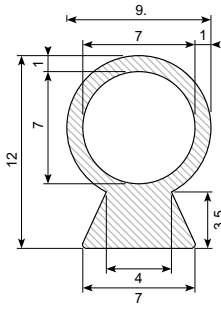
**30.7770 \***



Material: EPDM black  
Hardness: SH 65  
Min. order: 100 m

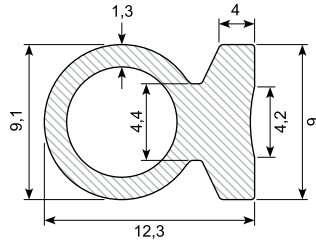


30.314S



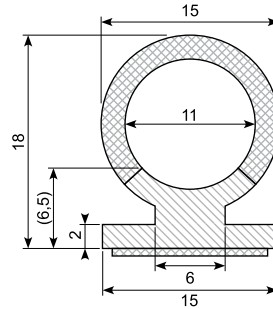
Rubber profile  
Material: EPDM  
Hardness: SH 60 / 65

30.7651



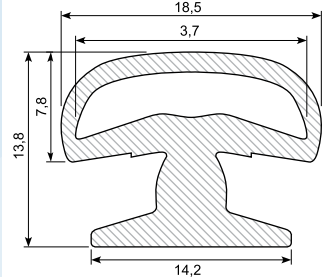
Balloon profile  
Material: EPDM  
Hardness: SH 65

30.313



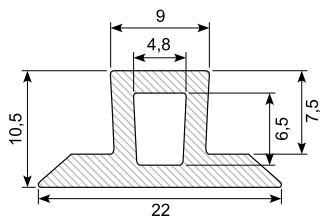
Co-ex profile  
Material: EPDM / sponge rubber  
Hardness: SH 80

30.7648



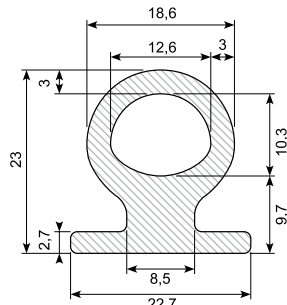
Material: EPDM black  
Hardness: SH 65

30.7106 \*



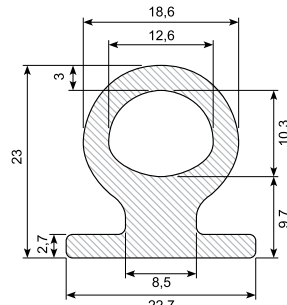
Material: SBR black  
Hardness: SH 65  
Min. order: 1.000 m

30.315S



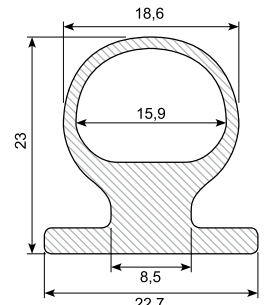
Material: EPDM black  
Hardness: SH 65  
Length: 10 m  
OBS does not fit 41.675A

30.315SB



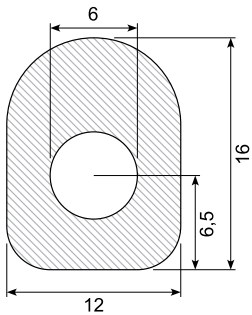
Material: EPDM black  
Hardness: SH 45  
Length: 10 m  
OBS does not fit 41.675A

30.7613 \*



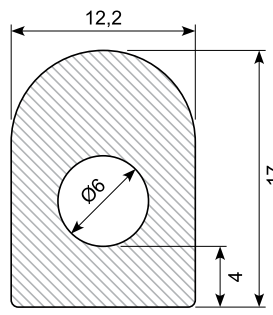
Material: EPDM black  
Hardness: SH 60  
Min. order: 500 m

30.50967 \*



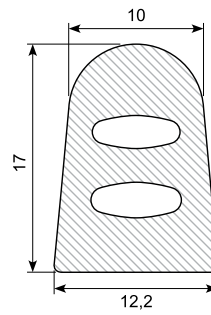
Material: NBR black  
Hardness: SH 65  
Min. order: 500 m  
Oil resistant

30.13841



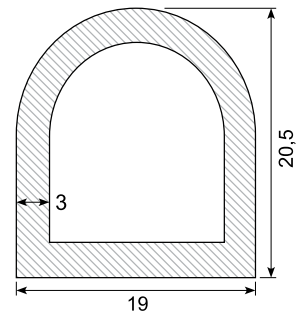
Material: Black NBR  
Hardness: SH 45A  
Oil resistant

30.14053



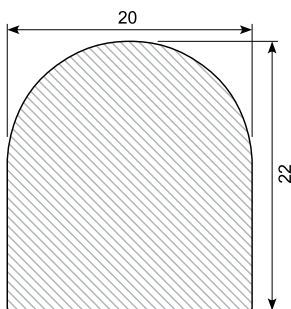
Material: Black NBR  
Hardness: SH 50A  
Oil resistant

30.OT3354



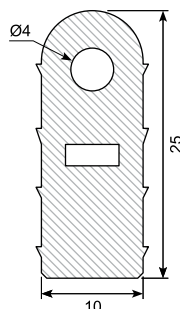
Material: Silicone white  
Hardness: SH 60

30.7645 \*



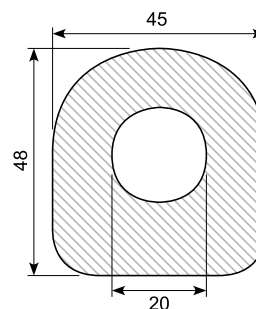
Material: EPDM black  
Hardness: SH 45  
Min. order: 50 m

30.13421



Material: EPDM  
Hardness: SH 65

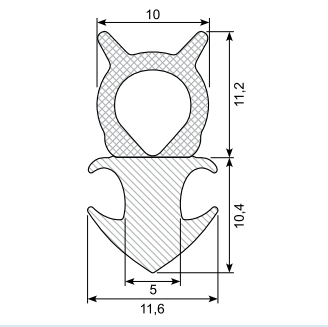
30.7559



Material: NBR black  
Hardness: SH 60  
Oil resistant

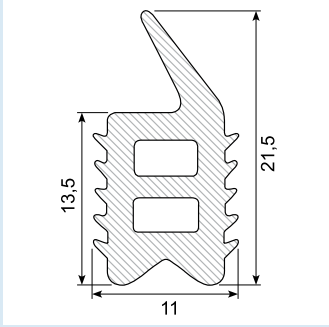
# Specialprofiler / Special profiles

30.14130



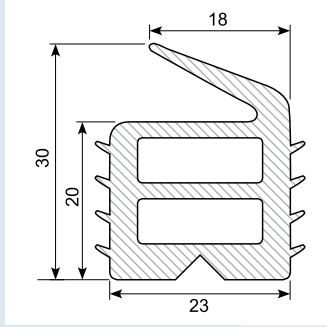
Co-ex profile  
Material: EPDM  
Hardness: SH 70 / density 85-95

30.190



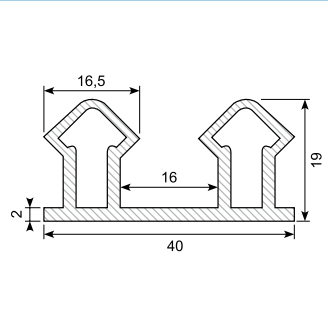
Material: PVC  
Hardness: SH 57

30.8270



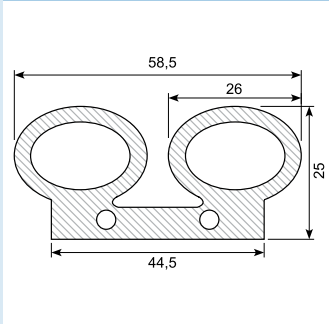
Material: EPDM black  
Hardness: SH 57

30.OT1387 \*



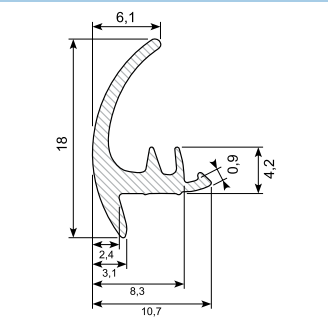
Material: Silicone grey  
Hardness: SH 60  
Min. order: 40 m

30.OT3272 \*



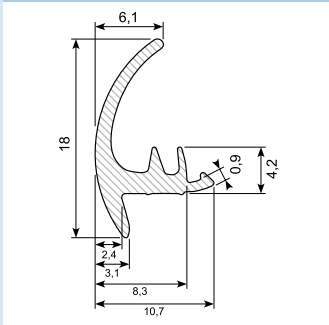
Material: Silicone blue  
Hardness: SH 60  
Min. order: 50 m

32.8518



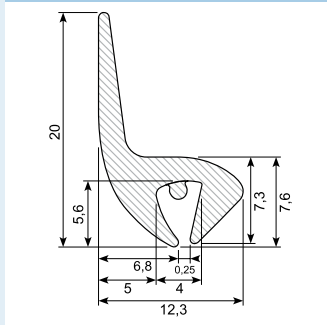
End-stop profile  
Material: EPDM  
Hardness: SH 65  
Roll of 50 m

32.8518W \*



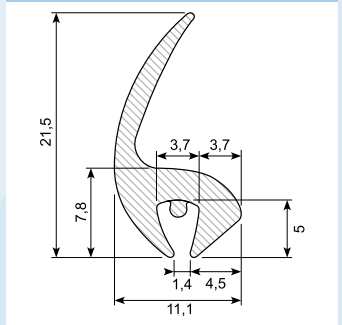
Color: White, RAL 9003  
Material: EPDM  
Hardness: SH 60  
Min. order: 1.500 m

32.8516



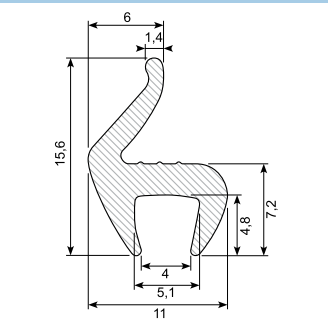
End-stop profile  
Material: EPDM  
Hardness: SH 65  
Roll of 50 m

32.8517



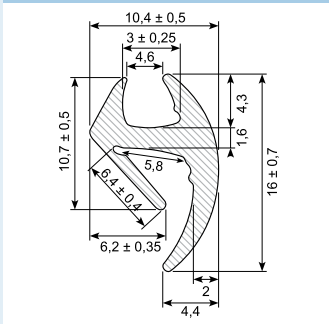
End-stop profile  
Material: EPDM  
Hardness: SH 65  
Roll of 50 m

32.8520



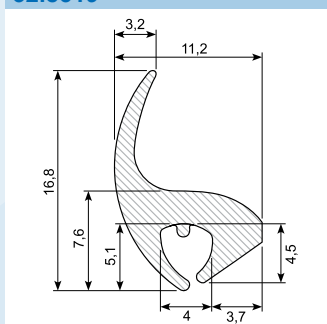
Universal end-stop profile  
Material: EPDM  
Hardness: SH 65  
Roll of 50 m

31.369



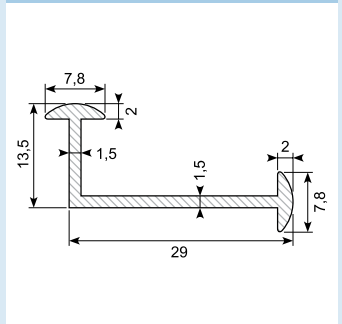
End-stop profile  
Material: EPDM black  
Hardness: SH 65

32.8519



End-stop profile  
Material: EPDM  
Hardness: SH 65  
Roll of 50 m

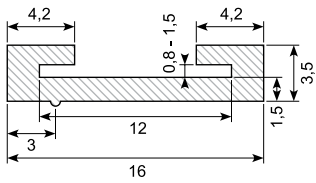
30.12553-2



Material: Black EPDM  
Hardness: SH 60A

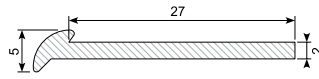
\* Skaffevare / Special order item

30.798



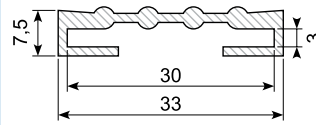
Material: EPDM black  
Hardness: SH 65

30.14163-1



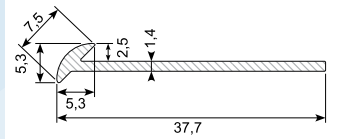
Material: EPDM  
Hardness: SH 65

30.144



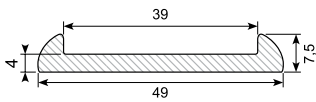
Material: EPDM black  
Hardness: SH 60

30.5179



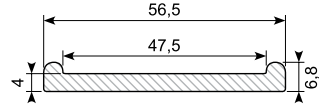
Material: EPDM

30.141



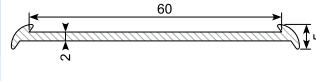
Material: EPDM  
Hardness: SH 60

30.142S



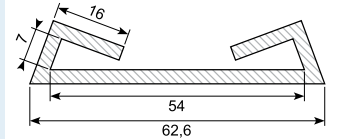
Material: EPDM black  
Hardness: SH 65

30.14163



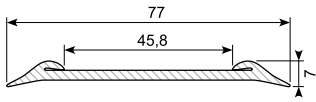
Material: EPDM  
Hardness: SH 65

30.8331



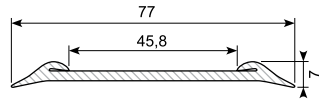
Material: EPDM black  
Hardness: SH 65

30.145W \*



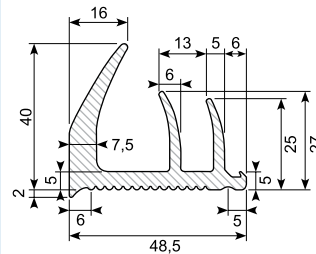
Material: EPDM white  
Hardness: SH 65  
Min. order: 300 m

30.145 \*



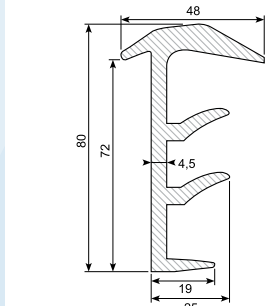
Material: EPDM black  
Hardness: SH 70  
Min. order: 200 m

30.13447-8 \*



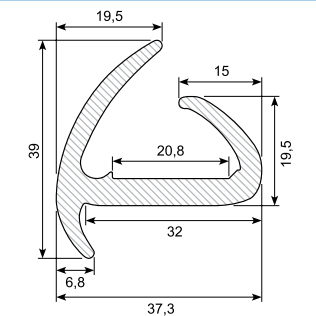
Container profile  
Material: EPDM  
Hardness: SH 70  
Length: 2,5 m  
Min. order: 500 m

54.710290 \*



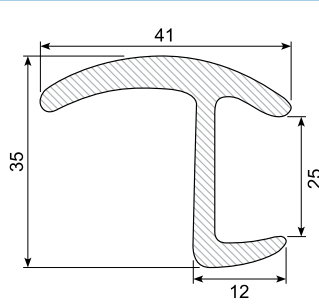
Material: EPDM black  
Hardness: SH 65  
Length: 10 m  
Min. order: 10 m

30.7663



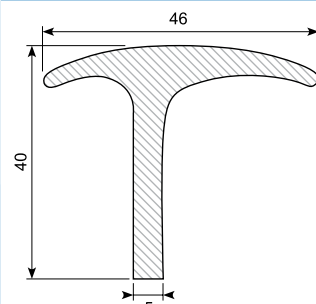
Material: EPDM black  
Hardness: SH 65  
Length: 5 m

30.340



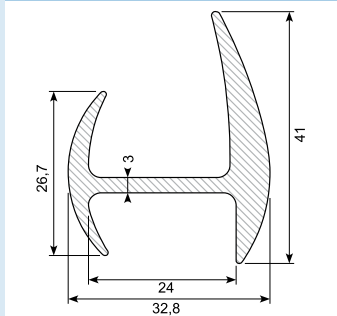
Material: EPDM black  
Hardness: SH 50  
Length: 3 m

30.2438



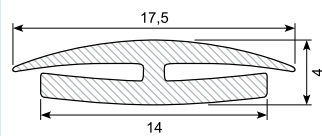
Material: EPDM black  
Hardness: SH 65  
Length: 2,2 m

30.4437 \*



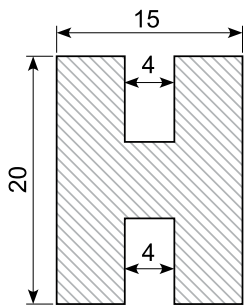
Material: Black EPDM  
Hardness: SH 60  
Min. order: 85 m

30.7411



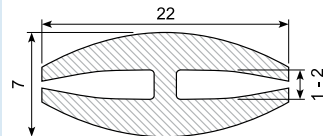
Material: EPDM black  
Hardness: SH 65  
Grip range: 1 - 1,5 mm

30.13062 \*



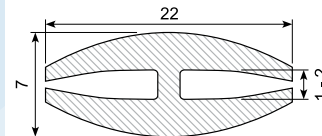
Material: EPDM  
Hardness: SH 65  
Min. order: 500 m

34.7528-2H \*



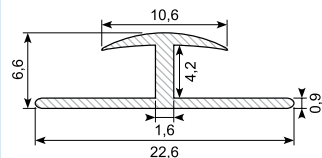
Material: PVC white  
Min. order: 250 m

34.7528-2



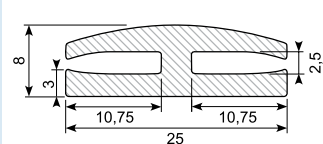
Material: PVC grey

34.3546



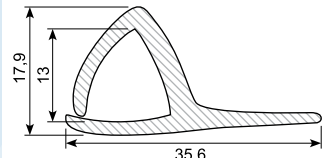
Material: White PVC

30.762



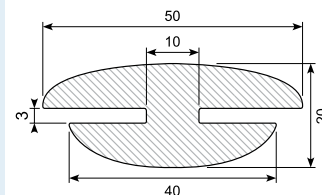
Material: EPDM black  
Hardness: SH 65

31.072



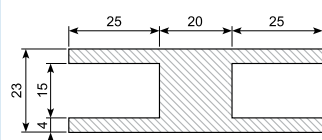
Material: EPDM black  
Hardness: SH 65

30.7266 \*



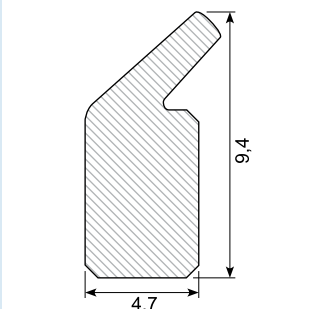
Material: EPDM black  
Hardness: SH 65  
Min. order: 50 m

30.12932-2 \*



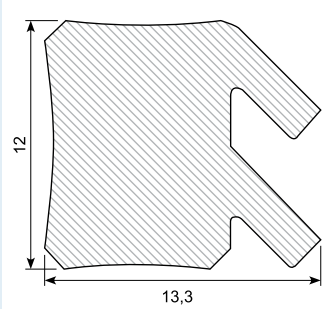
Material: Black EPDM  
Hardness: SH 60  
Min. order: 400 m

30.29300-130 \*



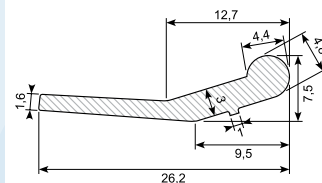
Material: CR black  
Hardness: SH 65  
Min. order: 100 m  
Conditional oil resistant

30.29300-129 \*



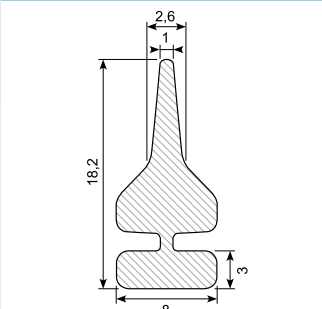
Material: Black CR  
Hardness: SH 65  
Min. order: 300 m  
Conditional oil resistant

30.16688



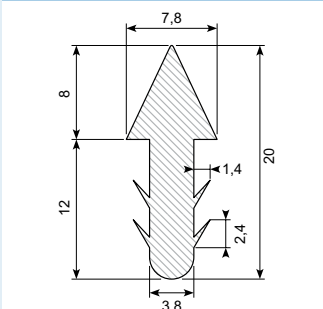
Material: EPDM  
Hardness: SH 70

30.7811 \*



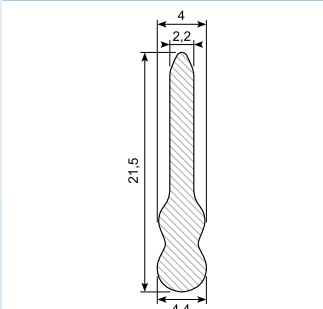
Material: EPDM black  
Hardness: SH 60  
Min. order: 1.500 m

30.11905



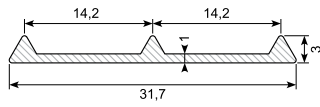
Material: Black silicone  
Hardness: SH 50

30.7249 \*



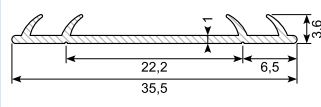
Material: CR black  
Hardness: SH 70  
Min. order: 500 m  
Conditional oil resistant

30.13049-4



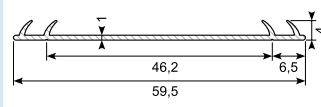
Material: Black EPDM  
Hardness: SH 60A

30.13049-2 \*



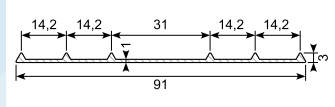
Material: EPDM  
Hardness: SH 60A  
Min. order: 5.000 m

30.13049-1 \*



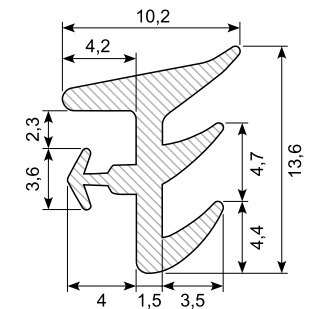
Material: EPDM  
Hardness: SH 60A  
Min. order: 4.000 m

30.13049-5 \*



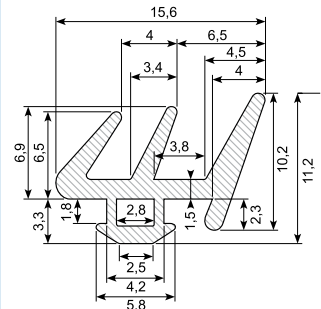
Material: Black EPDM  
Hardness: SH 60A  
Min. order: 2.000 m

30.4469



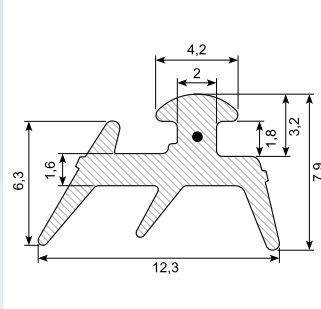
Material: EPDM  
Hardness: SH 60  
Coated with silicone

30.10485



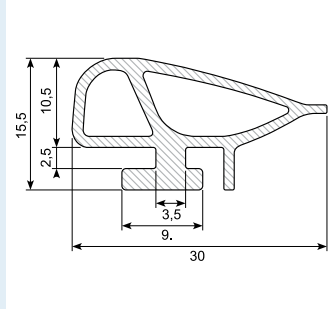
Material: EPDM  
Coated with silicone

30.9387-2 \*



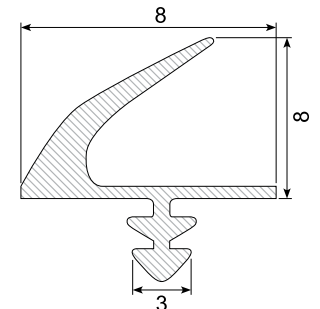
Material: EPDM  
Min. order: 5.000 m  
With internal cord

30.13796 \*



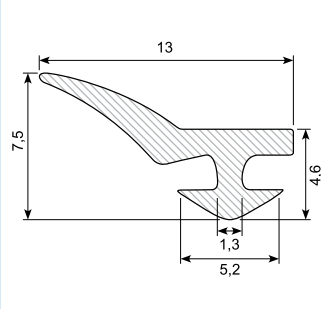
Material: Black EPDM  
Hardness: SH 75A  
Min. order: 1.000 m

30.OT1092 \*



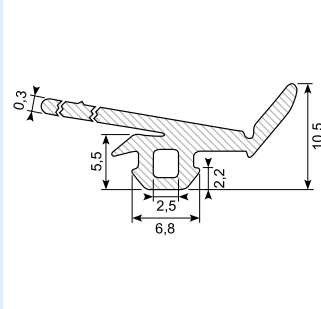
Material: Silicone **white**  
Min. order: 300 m

31.702 \*



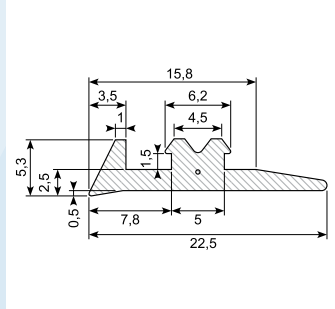
Material: EPDM black  
Hardness: SH 70  
**Conditional oil resistant**  
Min. order: 2.000 m

30.7507 \*



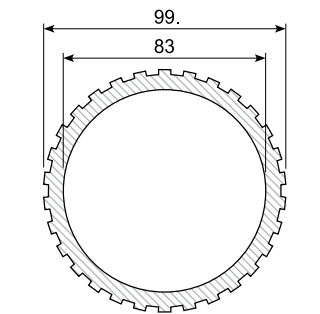
Material: EPDM black  
Hardness: SH 65  
Min. order: 1.000 m

30.10461-2



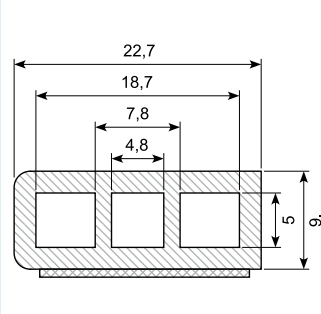
Material: EPDM with cord

30.7845 \*



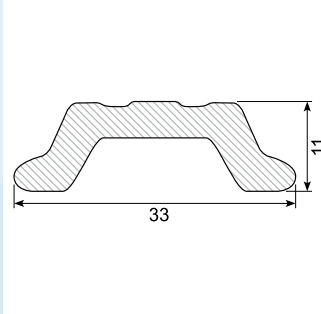
Material: SBR black  
Hardness: SH 70  
Min. order: 51 m

30.16977



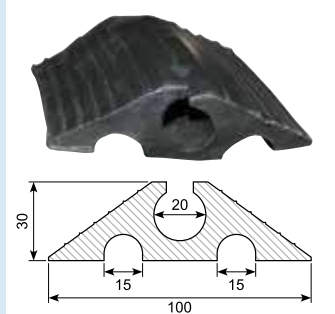
Material: **White** PVC hard  
with adhesive

30.5596 \*



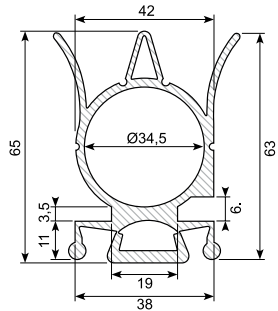
Material: EPDM black  
Hardness: SH 65  
Min. order: 500 m

52.PP106



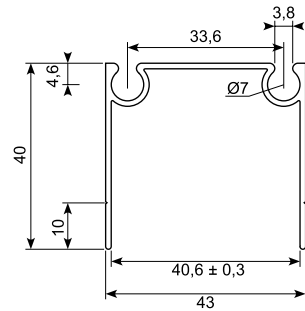
Material: NR / SBR  
Cable transmission. Roll 9 m

## 30.13503



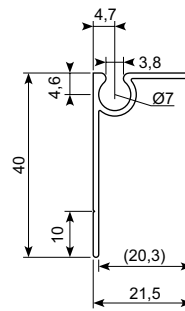
Material: Black EPDM  
Hardness: SH 60A  
For track [41.13459](#)

## 41.13459



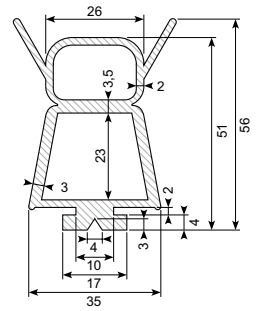
Aluprofile for gate  
Anodized surface. Length 6 m.  
Calculated weight 479 g/m.  
For profile: [30.13503](#)

## 41.13459X \*



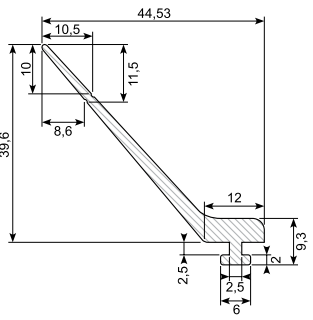
1/2 aluprofile for gate 21.5 x 40 mm  
Anodized surface. Length 6 m.  
Calculated weight: 239 g/m  
For profile: [30.13503](#)

## 30.9215



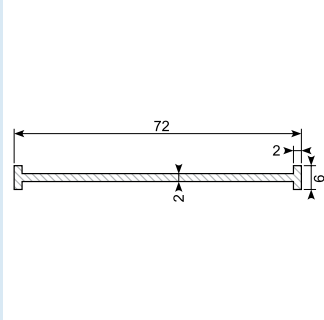
Material: EPDM  
Hardness: SH 65 - 70

## 30.9826-1



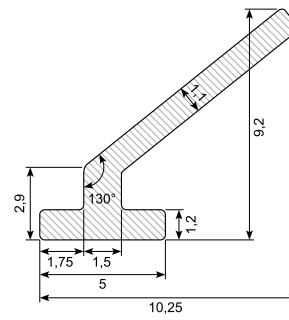
Material: EPDM  
Hardness: SH 70

## 30.9826-2



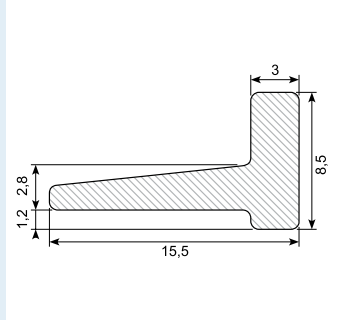
Material: EPDM  
Hardness: SH 70

## 30.10036



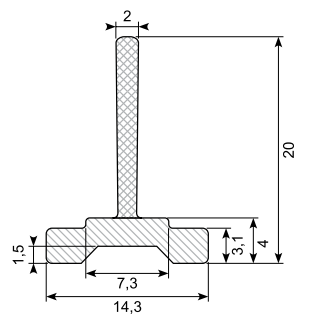
Material: EPDM  
Hardness: SH 70

## 30.9996-6



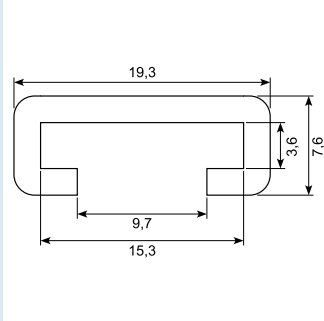
Material: EPDM  
Hardness: SH 60

## 30.13242



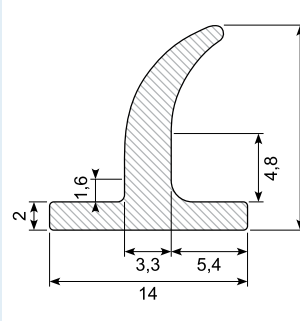
Material: Co-ex EPDM  
Hardness: SH 85 / 62  
Length: 3.000 mm  
(Rail see [41.670](#))

## 41.670



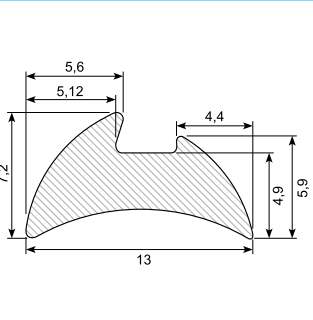
Elekeret alu.  
3 m med montagehuller.  
Ø4 hver 200 mm.  
Til profil [30.13242](#)

## 30.16239



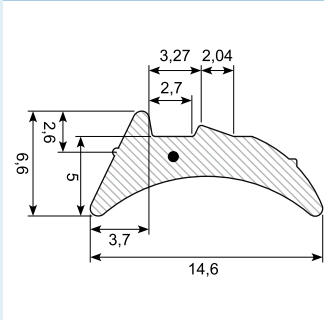
Material: EPDM  
Hardness: SH 70

## 30.9996-5



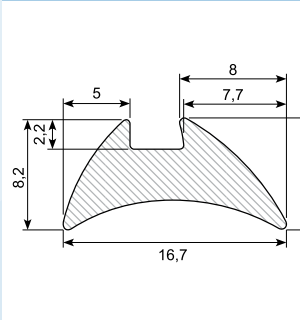
Material: EPDM  
Hardness: SH 70

## 30.9387-1



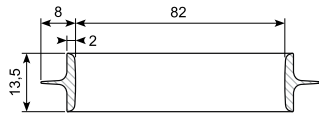
Material: EPDM  
Hardness: SH 70  
With cord

## 30.9996-4



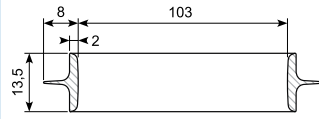
Material: EPDM  
Hardness: SH 70

30.9437-100



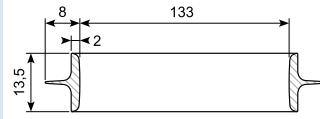
Ventilation ring  
Material: Black EPDM  
Hardness: SH 60 - 65

30.9437-125



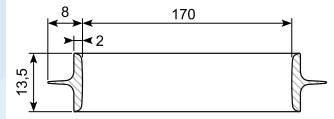
Ventilation ring  
Material: Black EPDM  
Hardness: SH 60 - 65

30.9437-160



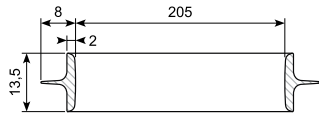
Ventilation ring  
Material: Black EPDM  
Hardness: SH 60 - 65

30.9437-200



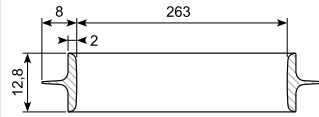
Ventilation ring  
Material: Black EPDM  
Hardness: SH 60 - 65

30.9437-250



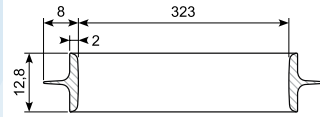
Ventilation ring  
Material: Black EPDM  
Hardness: SH 60 - 65

30.9437-315



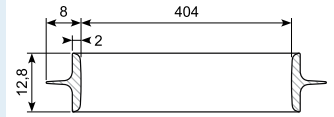
Ventilation ring  
Material: Black EPDM  
Hardness: SH 60 - 65

30.9437-400



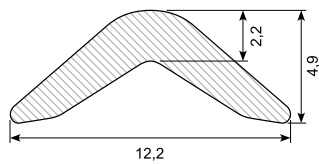
Ventilation ring  
Material: Black EPDM  
Hardness: SH 60 - 65

30.9437-500



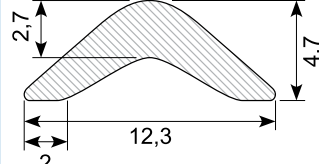
Ventilation ring  
Material: Black EPDM  
Hardness: SH 60 - 65

45.205S / 45.205SX



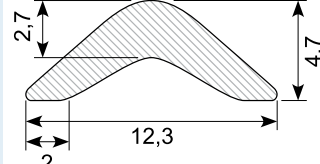
Material: Silver grey PVC

45.209BX



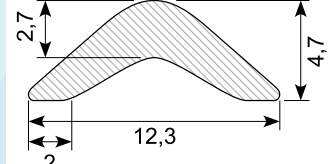
Material: Black PVC

45.210B / 45.210BX



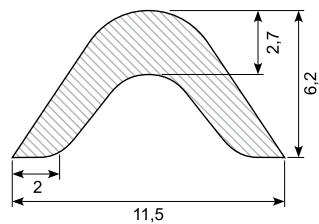
Material: White PVC

45.210C / 45.210CX



Material: Off white PVC

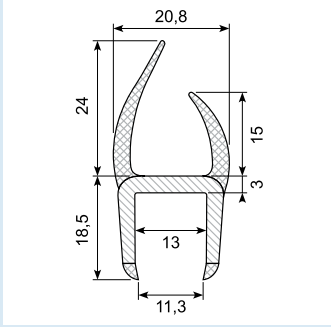
45.208



Material: Blue PVC

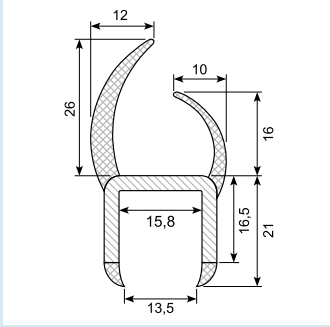
# Co-ekstruderede plastprofiler / Co-extruded plastic profiles

**50.083013 \***



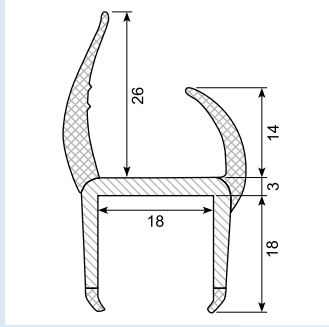
Material: PVC co-ex profile 13 mm  
Black / white  
Length: 5 m  
With 4 soft lips  
Min. order: 200 pcs

**50.083015GG / 50.083015GGX**



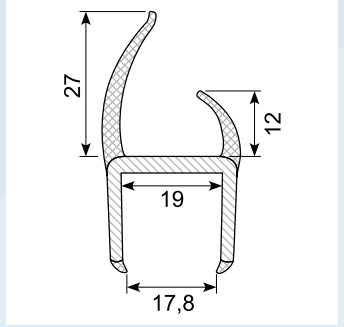
Material: PVC co-ex profile 15 mm  
Light grey / grey lips  
Length: 5 m  
With 4 soft lips  
50.083015GGX: 4 m light/light

**50.083030**



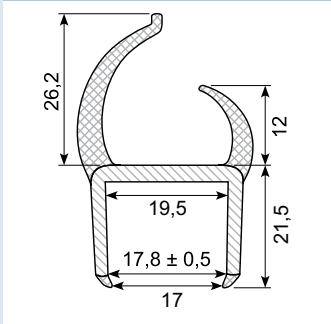
Material: PVC co-ex profile 18 mm  
Black / white  
Length: 5 m  
With 4 soft lips

**50.083032GG \***



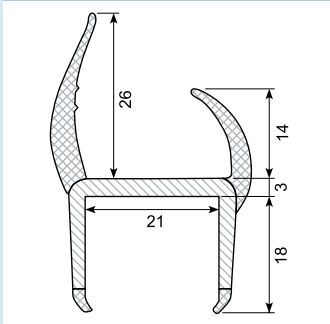
Material: PVC co-ex profile 18,4 mm. Grey / grey (other colors possible)  
Length: 6 m  
With 4 soft lips  
Min. order: 500 m

**50.083033**



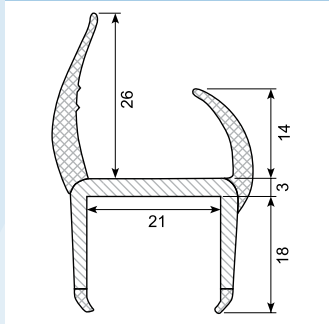
Material: PVC co-ex profile 19 mm  
Black lips / light grey  
Length: 5 m  
With 4 soft lips

**50.083040GS**



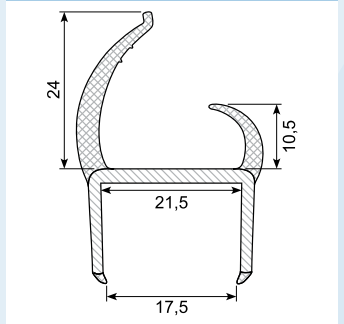
Material: PVC co-ex profile 21 mm  
Black / grey  
Length: 6 m  
With 4 soft lips

**50.083040**



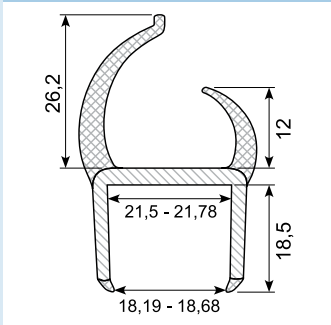
Material: PVC co-ex profile 21 mm  
Black / white  
Length: 5 m  
With 4 soft lips  
Min. order: 200 pcs.

**50.083040G**



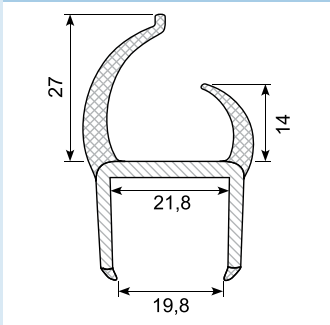
Material: PVC co-ex profile 21 mm  
Grey / grey  
Length: 5 m  
With 4 soft lips

**50.083033X**



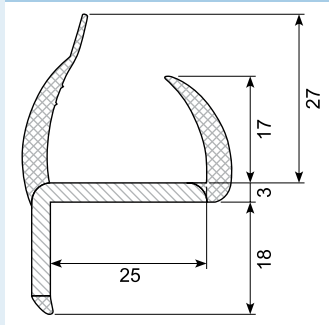
Material: PVC co-ex profile 20 mm  
Black lips / light grey  
Length: 5 m  
With 4 soft lips

**50.083040GG \***



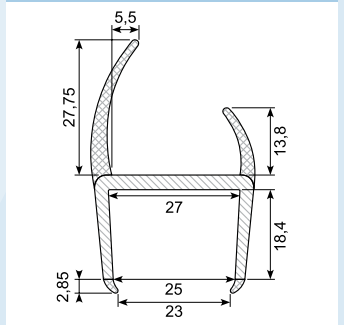
Material: PVC co-ex profile 20,8 mm. Grey / grey (other colors possible)  
Length: 6 m  
With 4 soft lips

**50.083045X \***



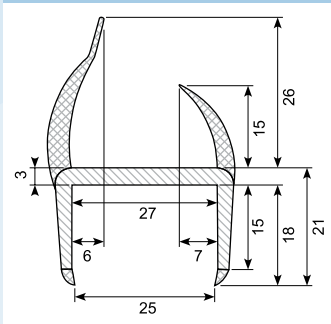
Material: PVC co-ex profile 25 mm (different colors possible)  
Length: 5 m  
With 3 soft lips  
Min. order: 250 m (China)

**54.710720 \***



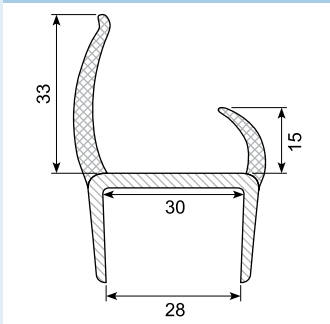
Material: PVC co-ex profile 25 mm  
Hardness: Hard/soft  
Length: 3 m  
With 4 soft lips  
Min. order: 25 pcs.

**50.083045G \***



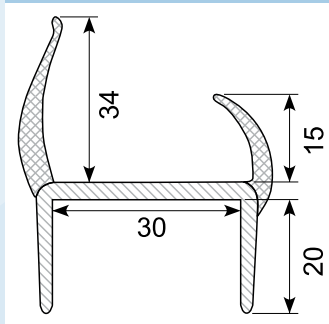
Material: PVC co-ex profile 25 mm  
Different colors possible  
Length: 6 m  
With 4 soft lips  
Min. order: 500 m

**50.083050GG \***



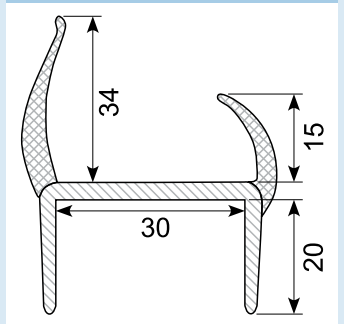
Material: PVC co-ex profile 30 mm  
Grey / grey (other colors possible)  
Length: 5 m  
With 2 soft lips  
Min. order: 500 m

**50.083050**



Material: PVC co-ex profile 30 mm  
Black / white  
Length: 5 m  
With 2 soft lips

**50.083050G**

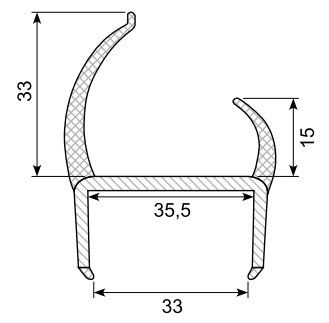


Material: PVC co-ex profile 30 mm  
Black / light grey  
Length: 5 m  
With 2 soft lips

\* Skaffevarer / Special order item

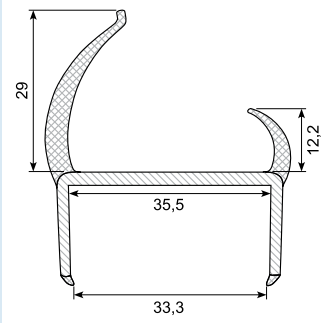


## 50.083052G \*



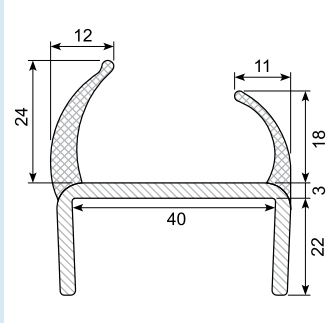
Material: PVC co-ex profile 35 mm  
Grey / grey  
(other colors possible)  
Length: 3 m  
With 4 soft lips  
Min. order: 300 m

## 50.083055G



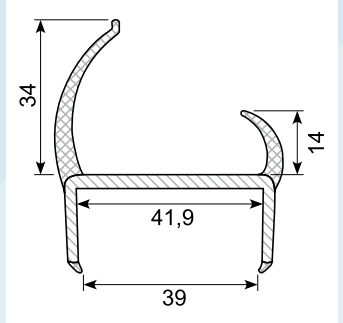
Material: PVC co-ex profile 35 mm.  
Light grey / grey lips  
Length: 5 m  
With 4 soft lips

## 50.083059 \*



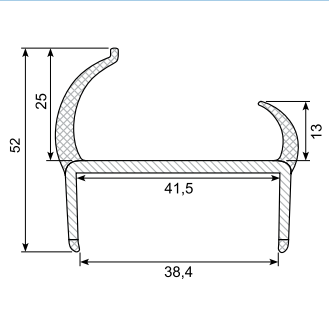
Material: PVC co-ex profile 40 mm  
White / black lips  
Length: 5 m  
With 2 soft lips  
Min. order: 250 m

## 50.083060 \*



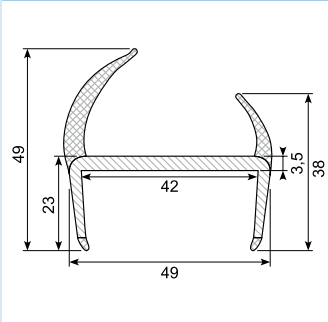
Material: PVC co-ex profile 40 mm  
White / black lips  
(other colors pos.)  
Length: 5 m  
With 4 soft lips  
Min. order: 500 m

## 50.083060G \*\*



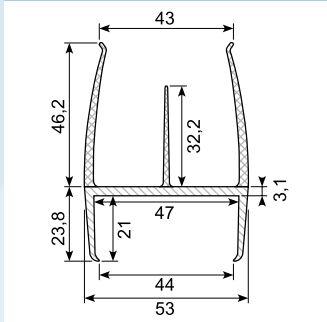
Material: PVC co-ex profile 40 mm.  
Light grey / grey lips  
Length: 5 m  
With 2 soft lips

## 50.083061 \*



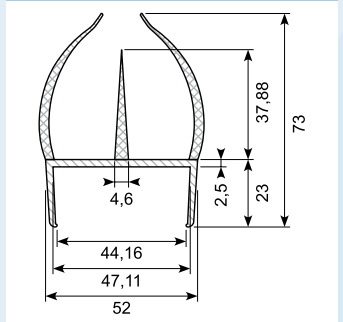
Material: PVC co-ex profile 42 mm  
White / black lips  
Length: 5 m  
With 4 soft lips  
Min. order: 250 m (China)

## 50.083065 \*



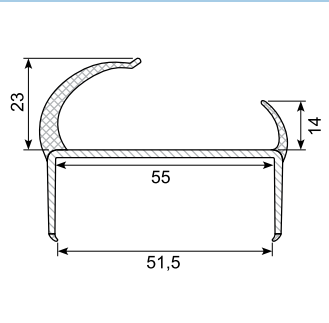
Material: PVC co-ex profile 45 mm  
Grey / grey  
(other colors possible)  
Length: 5 m  
With 3 soft lips  
Min. order: 250 m

## 50.083065G \*



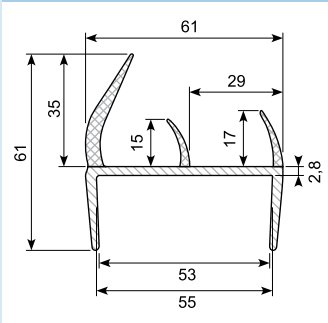
Material: Co-ex profile  
Length: 5 m

## 50.083070G



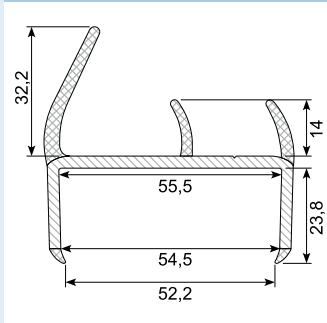
Material: PVC co-ex profile 55 mm  
Light grey / grey lips  
Length: 5 m  
With 4 soft lips

## 50.083070B \*



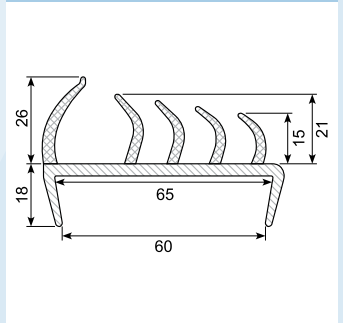
Material: PVC co-ex profile 55 mm.  
White / black lips  
Length: 5 m  
Min. order: 500 m  
With 4 soft lips

## 54.710770 \*



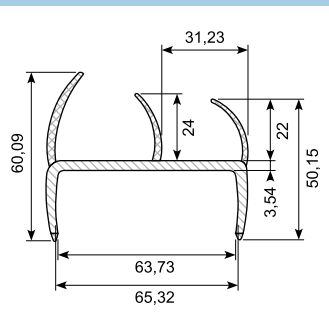
Material: Grey PVC co-ex profile 30 mm  
Length: 3 m  
Min. order: 50 m  
With 4 soft lips

## 50.083081 \*



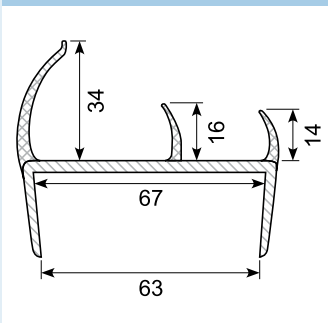
Material: Black PVC co-ex profile 65 mm  
With 5 soft lips  
Min. order: 250 m

## 50.083080GG \*



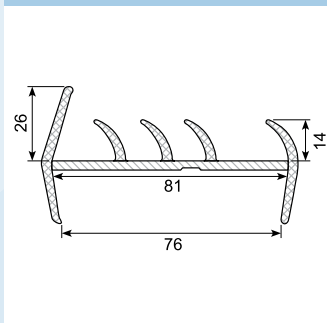
Material: PVC co-ex profile 65 mm  
Light grey / light grey lips  
Length: 5 m  
With 3 soft lips  
Min. order: 250 m (China)

## 50.083080G



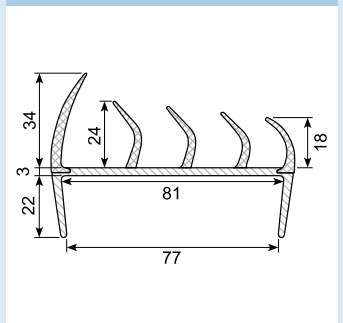
Material: PVC co-ex profile 65 mm.  
Grey / grey lips  
Length: 5 m  
With 2 soft lips

## 50.083088 \*



Material: PVC co-ex profile 81 mm.  
Black  
With 5 soft lips  
Min. order: 250 m

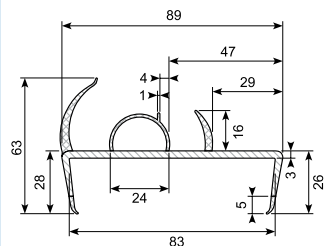
## 50.083089 \*



Material: PVC co-ex profile 81 mm.  
Black  
With 5 soft lips  
Min. order: 250 m

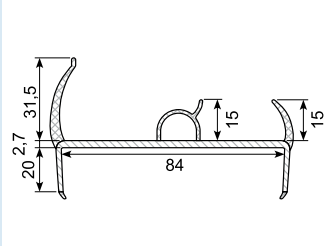
## Co-ekstruderede plastprofiler / Co-extruded plastic profiles

50.083090



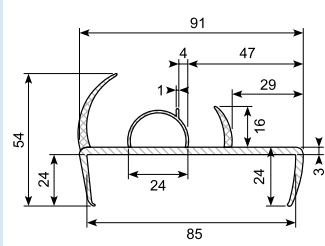
Material: PVC co-ex profile 83 mm. Light grey / light grey  
Length: 5 m  
With 4 soft lips

50.083095B \*



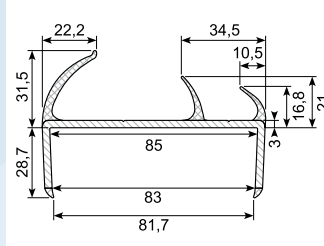
Material: PVC co-ex profile 84 mm. White / black lips.  
Length: 5 m  
Min. order: 500 m  
With 4 soft lips

50.083095 / 50.083095G \*



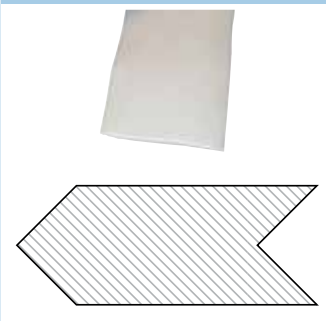
Material: PVC co-ex profile 85 mm. White / black lips.  
Length: 5 m  
With 4 soft lips  
50.083095G: Min order: 250 m.

54.710780 \*



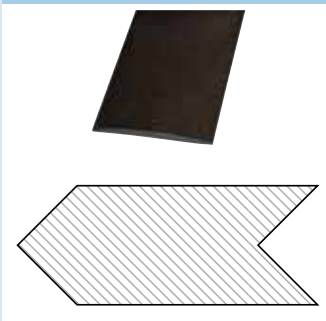
Material: PVC co-ex profile 85 mm. Black / grey  
Hardness: Hard / soft  
Length: 3 m  
With 4 soft lips  
Min. order: 50 pcs.

50.083000GG



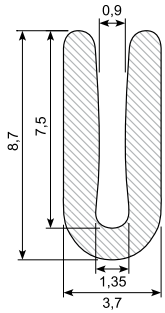
Grå hjørnebånd  
Grey connection part. Soft PVC.  
In running meters

50.083000SS



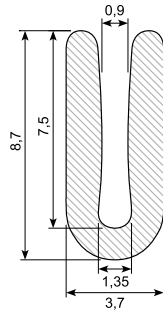
Sort hjørnebånd  
Black connection part. Soft PVC.  
In running meters

31.018S \*



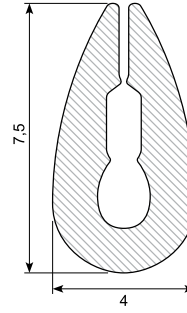
Material: Black EPDM  
Hardness: SH 65  
Min. order: 4.100 m

31.018X



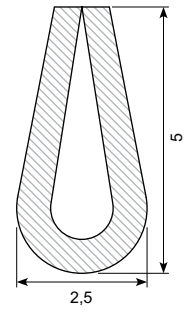
Material: PVC black  
Hardness: SH 65

34.018 / 34.018X



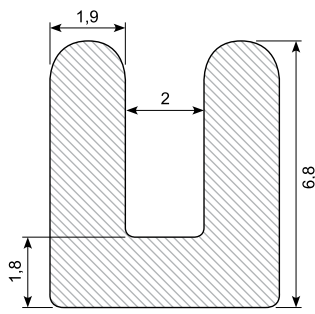
Material: Light grey PVC  
Hardness: Soft

34.14334X



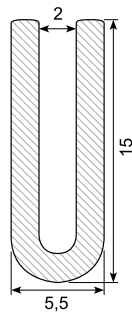
Material: Black PVC  
Plade: 1,5 - 2 mm

31.060S



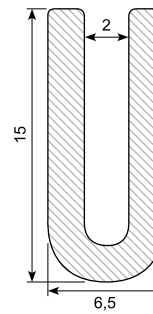
Material: EPDM black  
Hardness: SH 65

31.041S



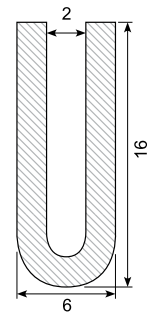
Material: EPDM black  
Hardness: SH 65

31.042S



Material: EPDM black  
Hardness: SH 65

30.OT3394 \*



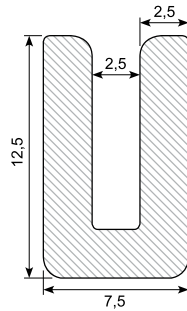
Material: Silicone black  
Min. order: 100 m

31.047 \*



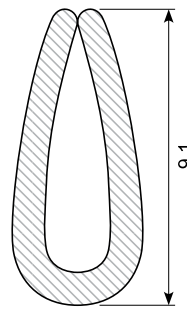
Material: EPDM black  
Hardness: SH 65  
Min. order: 1.000 m

31.063



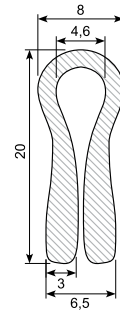
Material: EPDM black  
Hardness: SH 65

30.9548



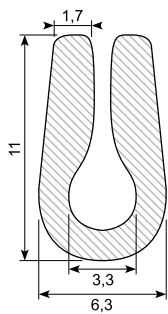
Material: Light grey hard PVC  
Length: 3,9 m

31.025S



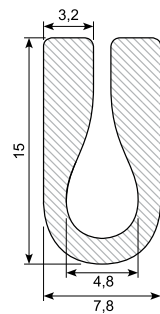
Material: EPDM black  
Hardness: SH 65

31.021S



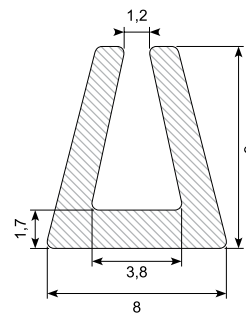
Material: EPDM black  
Hardness: SH 65

31.022S



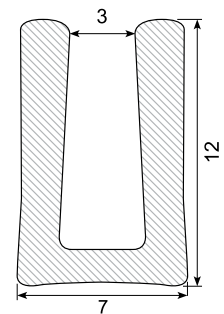
Material: EPDM black  
Hardness: SH 65

34.031 / 34.031X



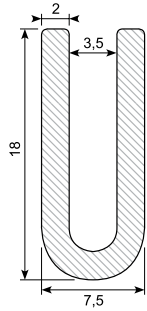
Material: PVC transparent  
Hardness: Soft

30.13086



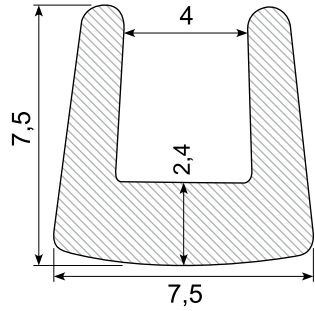
Material: EPDM black  
Hardness: SH 80

**31.043S**



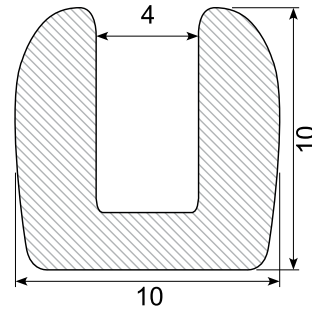
Material: EPDM black  
Hardness: SH 65

**31.064**



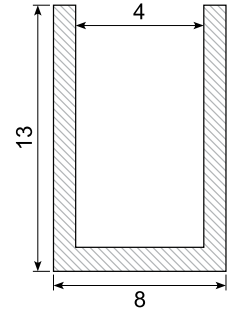
Material: EPDM black  
Hardness: Hard

**31.065S**



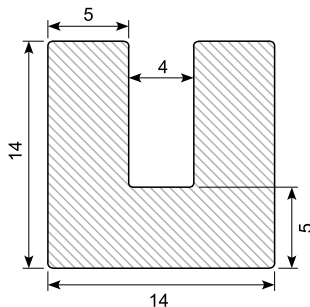
Material: EPDM black  
Hardness: SH 65

**31.061S**



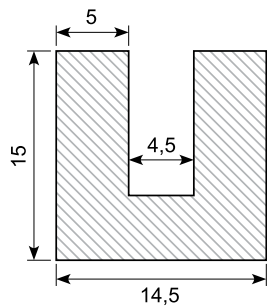
Material: EPDM black  
Hardness: SH 65

**30.6622N**



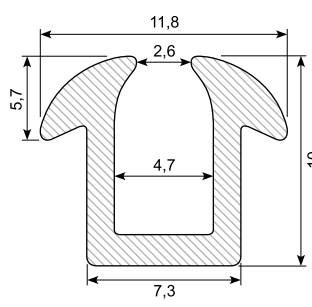
Material: NBR black  
Hardness: SH 65  
Oil resistant

**30.6622 \***



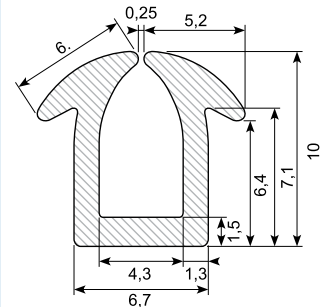
Material: EPDM black  
Hardness: SH 65  
Min. order: 500 m

**31.216ST**



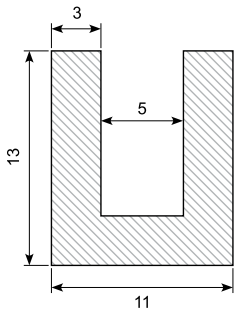
Material: EPDM black  
Hardness: SH 65

**31.216GS**



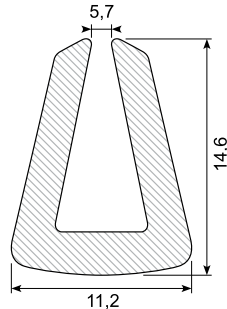
Material: Silicone light grey  
Ral 7040  
Hardness: SH 70

**30.11459 \***



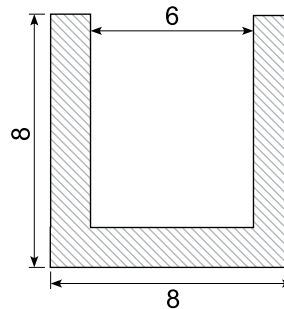
Material: Silicone transparent  
Hardness: SH 45  
Min. order: 250 m

**34.035**



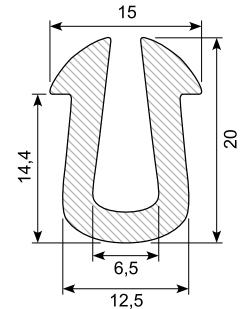
Material: PVC transparent  
Hardness: Hard

**31.066**



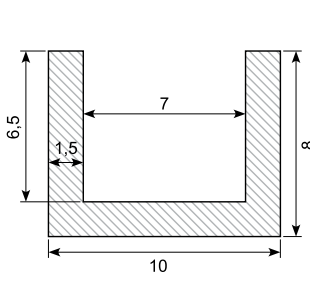
Material: Silicone black  
Hardness: SH 70

**30.6724**



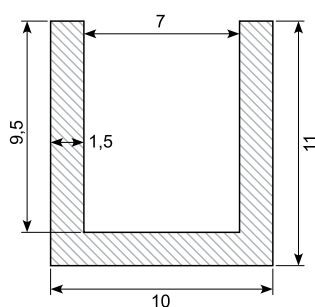
Material: EPDM black  
Hardness: SH 65

**30.14507-1 \***



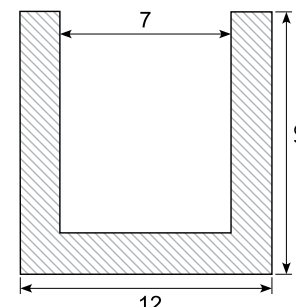
Material: EPDM black  
Min. order: 3.000 m

**30.14507-2 \***



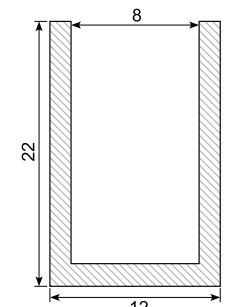
Material: EPDM black  
Min. order: 3.000 m

**31.068S**



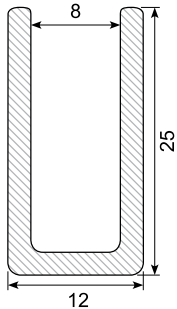
Material: EPDM black  
Hardness: SH 65

**30.1386**



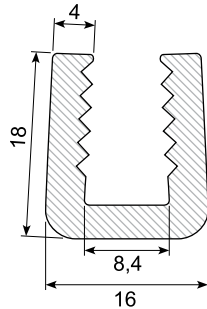
Material: EPDM black  
Hardness: SH 65

30.OT3440 \*



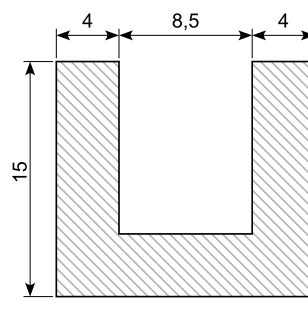
Material: Silicone black  
 Hardness: SH 60  
 Min. order: 100 m

30.12896



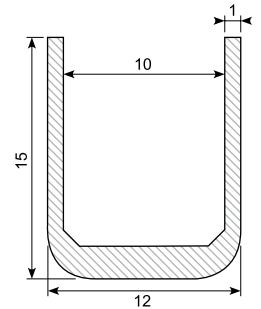
Material: EPDM black  
 Hardness: SH 65

31.074S \*



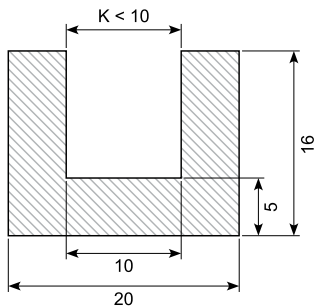
Material: EPDM black  
 Min. order: 1.000 m

30.7987



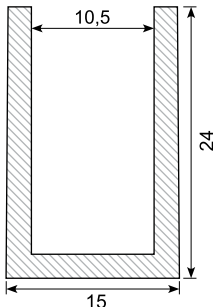
Material: EPDM black  
 Hardness: SH 65

30.OT0136 \*



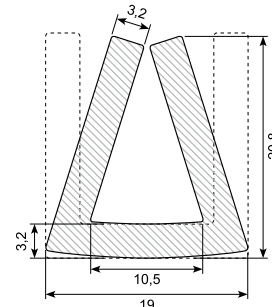
Material: White silicone  
 Min. order: 100 m

31.070S



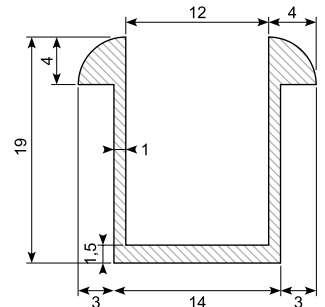
Material: EPDM black  
 Hardness: SH 50

31.071S



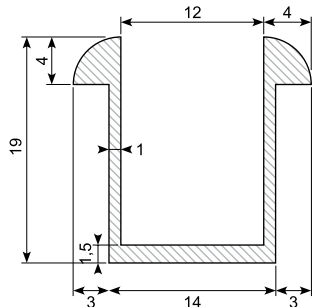
Material: EPDM black  
 Hardness: SH 65

30.2449



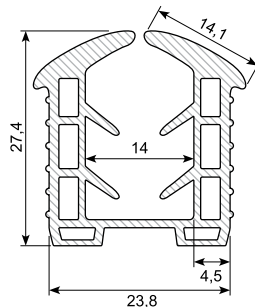
Material: Black PVC  
 Length: 1.415 mm

30.2455



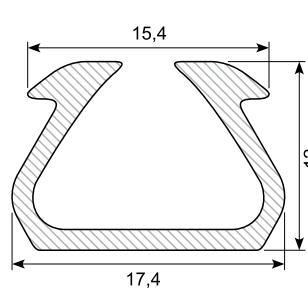
Material: Black PVC  
 Length: 3.111 mm

30.11774



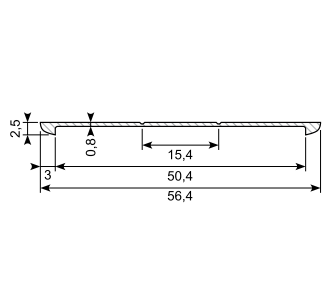
Material: EPDM  
 Hardness: SH 65

30.7508 \*



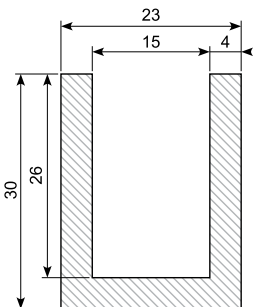
Material: EPDM black  
 Hardness: SH 65  
 Min. order: 400 m

30.9519



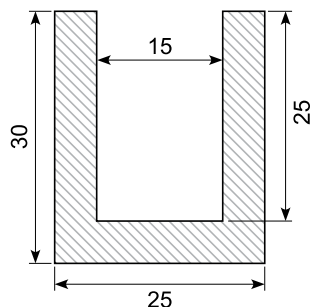
Material: Black soft PVC

30.12932-1 \*



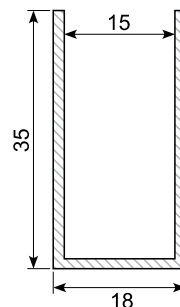
Material: Black EPDM  
 Hardness: SH 60A  
 Min. order: 500 m

30.13535 \*



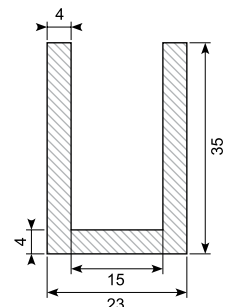
Material: EPDM black  
 Hardness: SH 60  
 Min. order: 420 m

30.7509



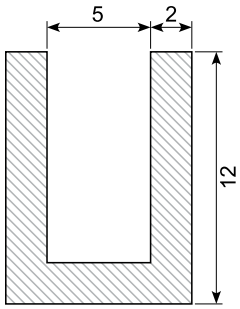
Material: EPDM black  
 Hardness: SH 65

30.10777-1 \*



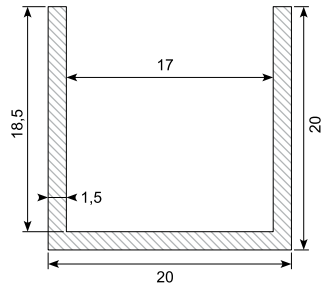
Material: TPE black  
 Hardness: SH 60  
 Min. order: 100 m

**30.21101205**



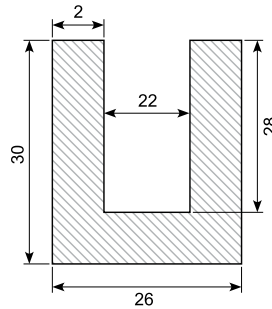
Material: EPDM  
Hardness: SH 70

**30.14507-3 \***



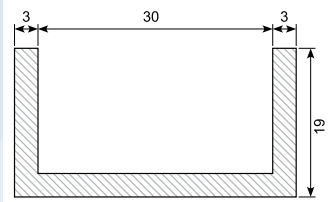
Material: EPDM  
Min. order: 2.000 m

**31.050**



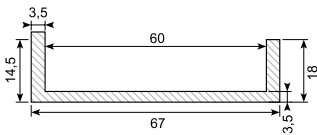
Material: EPDM black  
Hardness: SH 65

**30.14356**



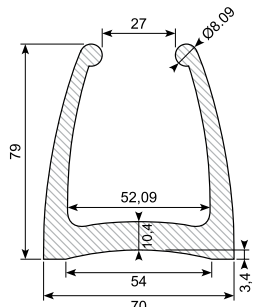
Material: Black TPE  
Hardness: SH 60

**31.048 \***



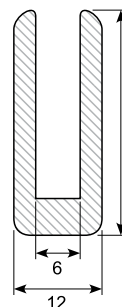
Material: EPDM black  
Hardness: SH 65  
Min. order: 250 m

**30.11911 \***



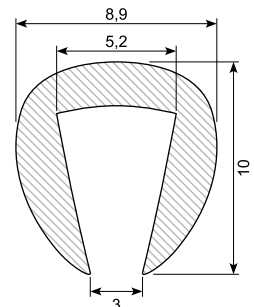
Material: EPDM  
Hardness: SH 65  
Min. order: 120 m

**30.2984-5**



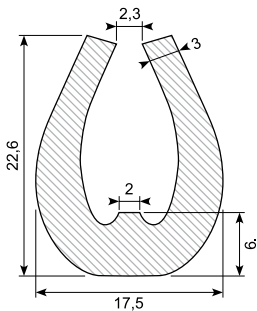
U-profile  
Material: EPDM  
Hardness: SH 70

**34.117/6**



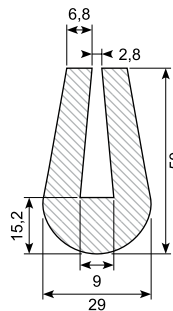
Material: Metal grey plastic

**30.2984-6**



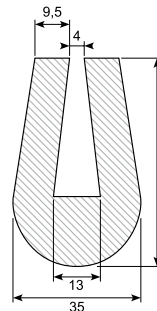
U-profile  
Material: EPDM  
Hardness: SH 80  
Roll of 50 m

**30.2984-1**



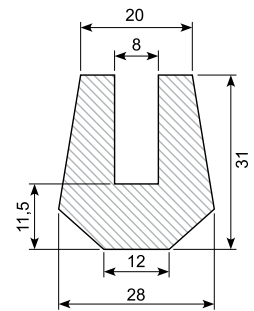
U-profile  
Material: EPDM  
Hardness: SH 70  
Roll of 25 m

**30.2984-2**



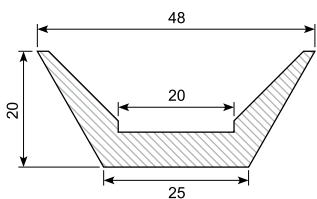
U-profile  
Material: EPDM  
Hardness: SH 65  
Roll of 25 m

**30.2984-3**



U-profile  
Material: EPDM  
Hardness: SH 70  
Roll of 25 m

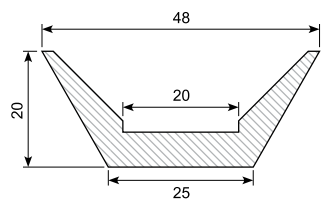
**30.7519NBR \***



Material: NBR grey  
Hardness: SH 65  
Length: 3 m  
Min. order: 500 m

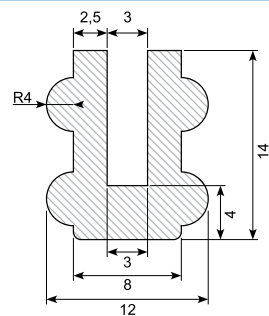
Oil resistant  
\* Skaffevare / Special order item

**30.7519 \***



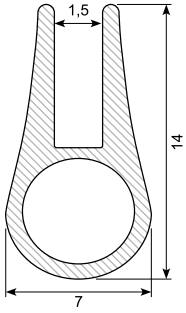
Material: EPDM black  
Hardness: SH 65  
Length: 50 m coils  
Min. order: 50 m

**30.14227 \***



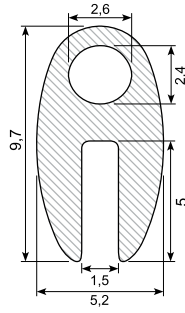
Material: Transperent silicone  
Min. order: 100 m

31.037SI



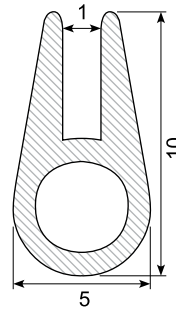
Material: Black silicone

31.035S



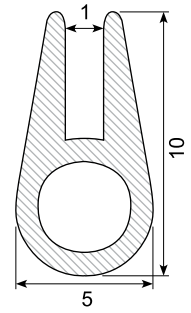
Material: EPDM black  
Hardness: SH 65

31.036SI \*



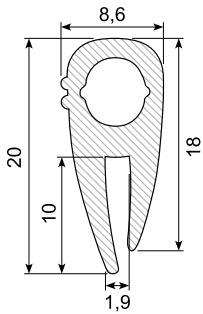
Material: Silicone black  
Min. order: 200 m

31.036SI-LTC \*



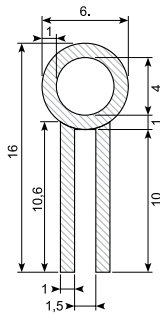
Material: Silicone black  
UL94 approved  
Min. order: 1.000 m

30.9884X \*



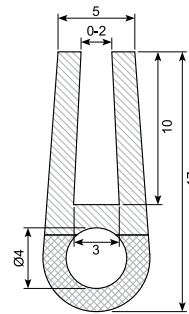
Material: EPDM  
Min. order: 3.000 m

31.037 \*



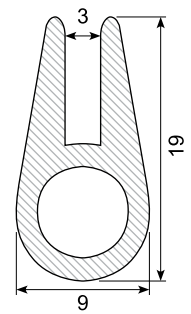
Material: EPDM  
Hardness: SH 56 - 60A  
Min. order: 2.000 m

30.9885



Material: EPDM  
Hardness: SH 60

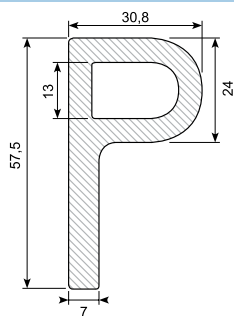
31.038SI



Material: Silicone black  
Hardness: SH 60

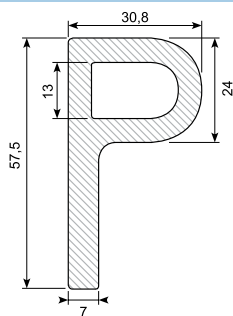
# P-profiler / P-profiles

30.136



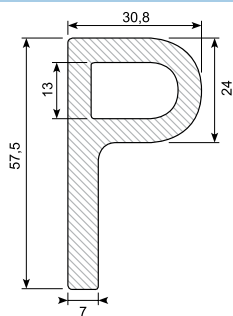
Material: EPDM black  
Hardness: SH 65

30.136NBR



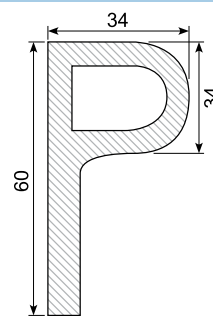
Material: EPDM black  
Hardness: SH 65  
Oil resistant

30.136/45



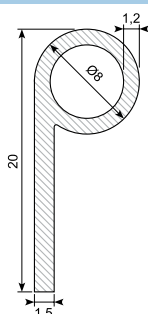
Material: EPDM black  
Hardness: SH 45 soft

30.OT1057 \*



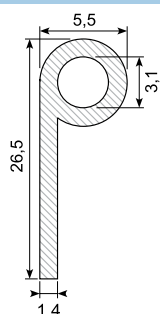
Material: Silicone white  
Maks. 270°  
Min. order: 50 m

30.182 \*



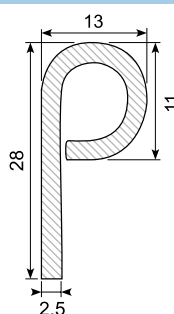
Material: Grey silicone  
RAL 7040  
Min. order: 100 m

30.22381



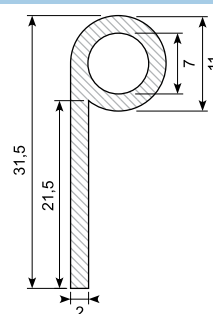
Material: CR black  
Hardness: SH 70  
Conditional oil resistant

30.148S \*



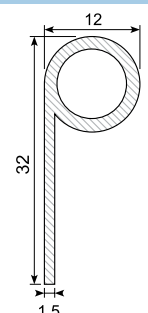
Material: EPDM black  
Hardness: SH 65  
Min. order: 450 m

30.7408X



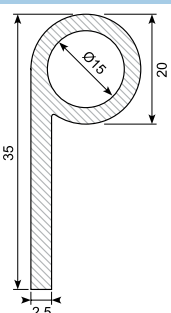
Material: Black EPDM

30.OT2036



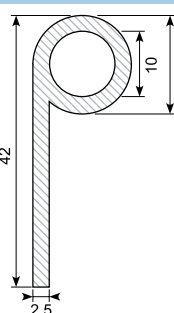
Material: Silicone black  
Maks. 270°

30.140



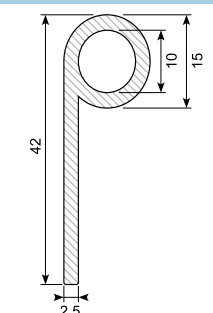
Material: EPDM

30.138S



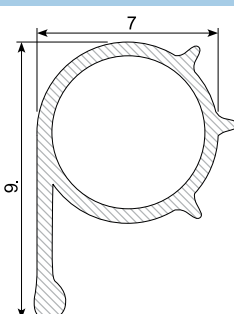
Material: EPDM black  
Hardness: SH 65

30.138NBR \*



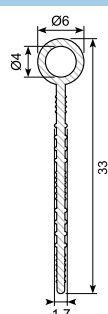
Material: NBR  
Oil resistant  
Min. order: 500 m

30.OT101 \*



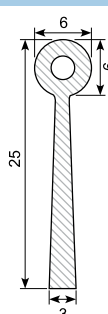
Material: Silicone brown  
Min. order: 100 m

52.269 / 52.269X



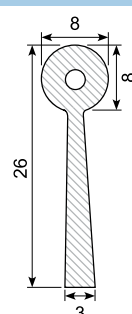
Material: PVC black  
Hardness: Medium

30.174S



Material: EPDM black  
Hardness: SH 65

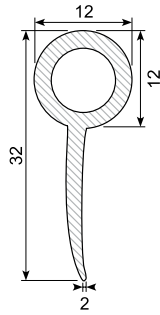
30.176 \*



Material: EPDM black  
Hardness: SH 65  
Min. order: 1.000 m

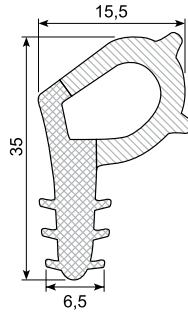


30.180



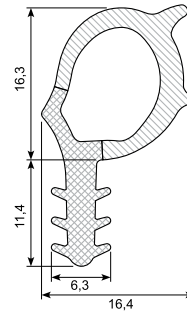
Material: EPDM black  
Hardness: SH 65

30.8538



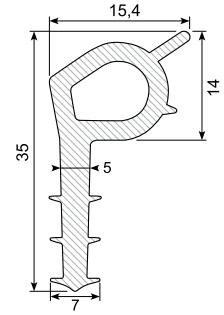
Material: EPDM co-ex  
Hardness: SH 65 / density 0,70

30.8538B



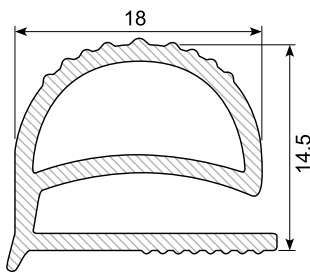
Material: EPDM co-ex  
Hardness: SH 65 / density 0,5  
Min. order: 2.000 m

30.OT3271 \*



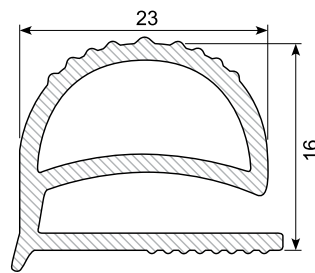
Material: Silicone light grey  
Min. order: 500 m

30.6487 \*



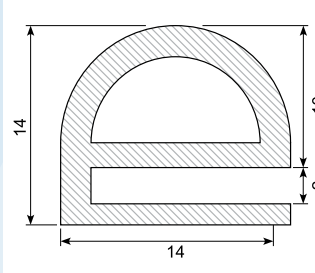
Material: PVC grey  
Length: 3 m  
Min. order: 1.000 m

30.SM251 \*



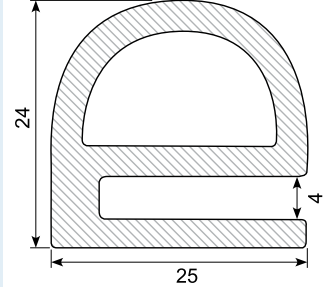
Material: TPE / EPDM grey  
Hardness: SH 65  
Length: 25 M  
Min. order: 200 m

30.OT1081



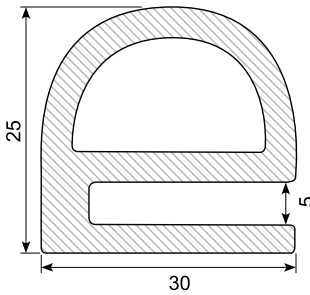
Material: Silicone white

30.OT3334



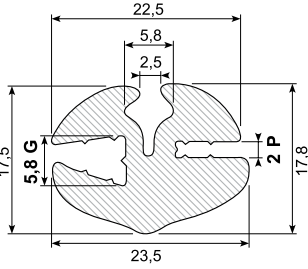
Material: Silicone white

31.OT2179 \*



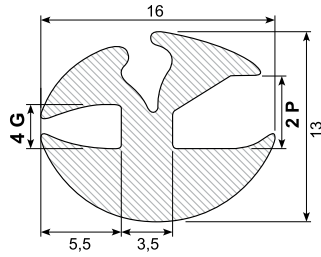
Material: Silicone white  
Min. order: 100 m

## 32.016S



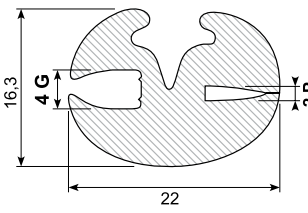
Material: EPDM black  
Hardness: SH 65  
Min. radius: 90 mm

## 32.924 \*\*



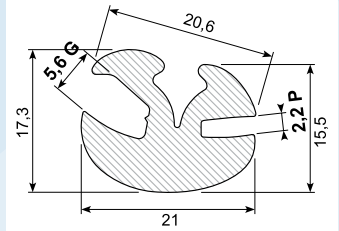
Material: EPDM black  
Hardness: SH 60  
Min. radius: 30 mm  
Incl. wedge

## 32.2024CR \*



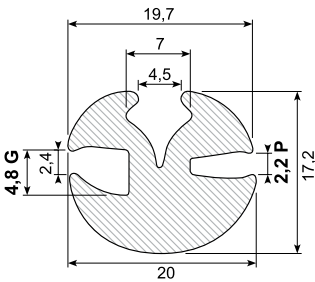
Material: CR black  
Hardness: SH 65  
Min. radius: 80 mm  
Min. order: 200 m  
Oil resistant

## 32.1024S



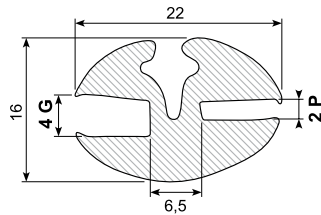
Material: EPDM black  
Hardness: SH 65  
Min. radius: 80 mm

## 32.1025S



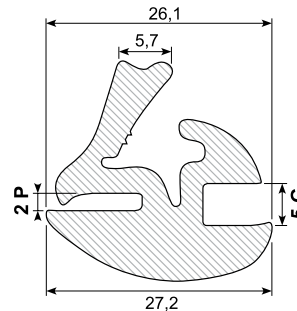
Material: EPDM black  
Hardness: SH 65  
Min. radius: 80 mm

## 32.2024M



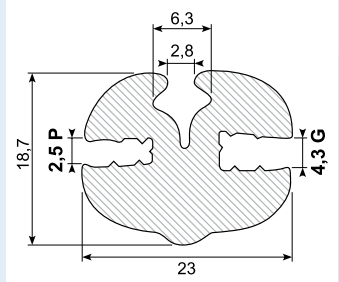
Material: EPDM black  
Hardness: SH 65  
Min. radius: 80 mm

## 32.1025SK



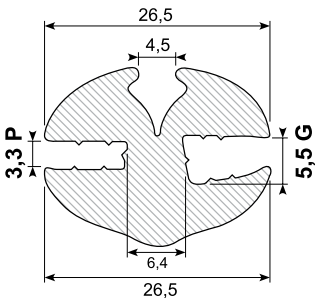
Material: EPDM black  
Hardness: SH 65  
Min. radius: 80 mm  
Incl. wedge

## 32.034S



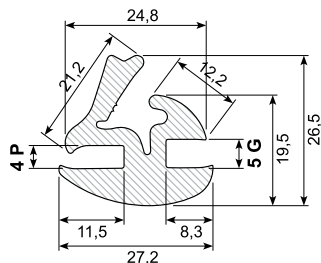
Material: EPDM black  
Hardness: SH 65  
Min. radius: 90 mm

## 32.036S



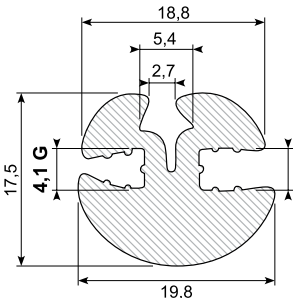
Material: EPDM black  
Hardness: SH 65  
Min. radius: 75 mm

## 32.1045SK \*



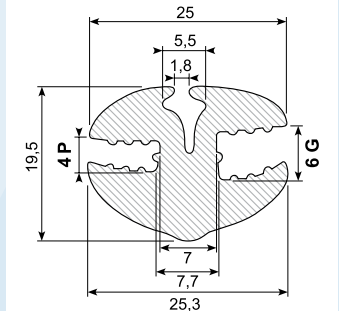
Material: EPDM black  
Hardness: SH 65  
Min. radius: 80 mm  
Incl. wedge  
Min. order: 100 m

## 32.044S



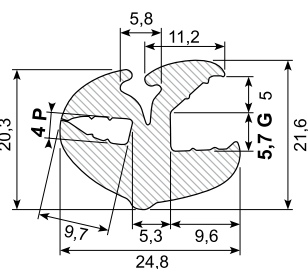
Material: EPDM black  
Hardness: SH 65  
Min. radius: 75 mm

## 32.046S



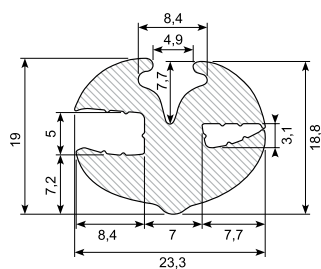
Material: EPDM black  
Hardness: SH 65  
Min. radius: 90 mm

## 32.2045M



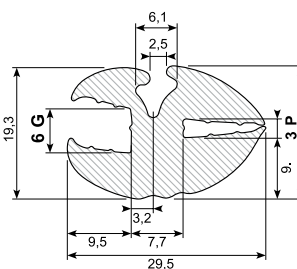
Material: EPDM black  
Hardness: SH 65  
Min. radius: 90 mm

## 30.8439



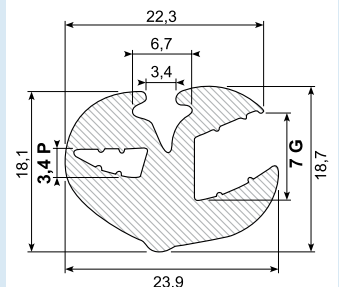
Material: EPDM  
Hardness: SH 65

## 32.036X



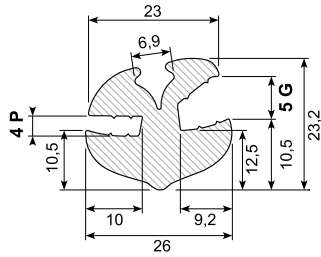
Material: EPDM  
Hardness: SH 65

## 32.047



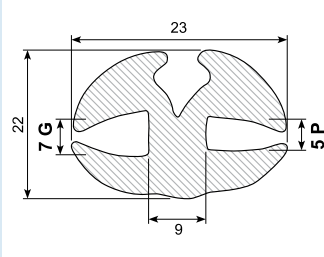
Material: EPDM black  
Hardness: SH 65  
Min. radius: 90 mm

32.1045S



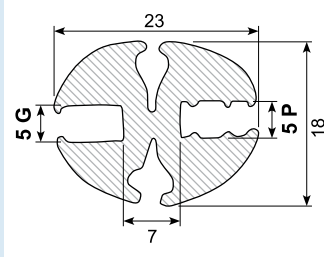
Material: EPDM black  
Hardness: SH 65  
Min. radius: 90 mm

32.057 \*



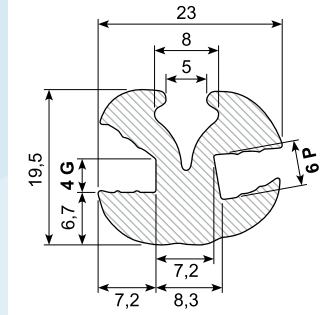
Material: EPDM black  
Hardness: SH 65  
Min. radius: 100 mm  
Min. 300 m

32.255S



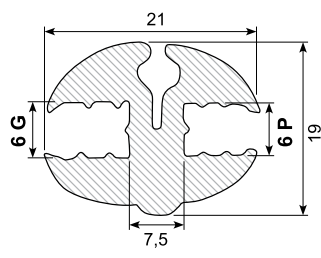
Material: EPDM black  
Hardness: SH 65  
Min. radius: 100 mm

32.064S



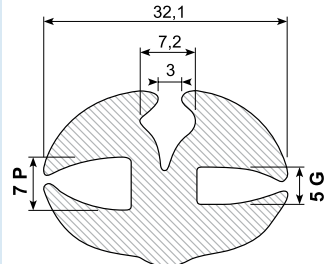
Material: EPDM black  
Hardness: SH 70

32.066



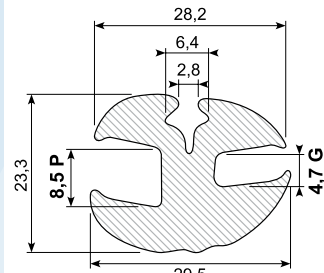
Material: EPDM black  
Hardness: SH 65  
Min. radius: 80 mm

32.075



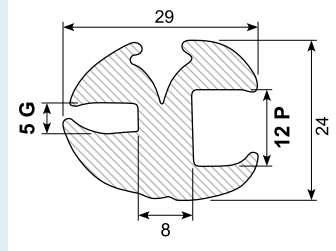
Material: EPDM black  
Hardness: SH 65  
Min. radius: 100 mm

32.095S



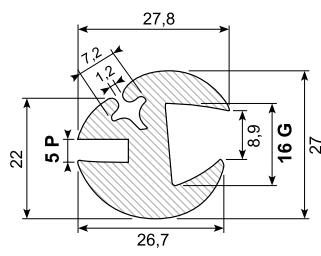
Material: EPDM black  
Hardness: SH 65  
Min. radius: 115 mm

32.512



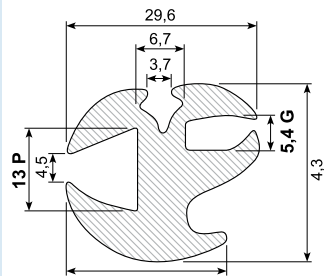
Material: EPDM black  
Hardness: SH 65  
Min. radius: 115 mm

32.165



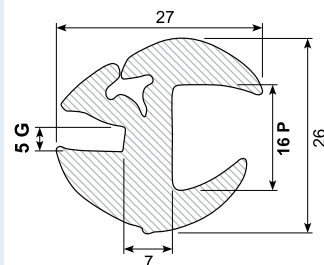
Material: EPDM black  
Hardness: SH 65  
Min. radius: 120 mm

32.514S



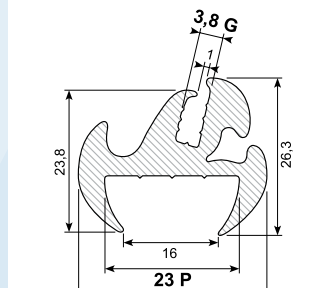
Material: EPDM black  
Hardness: SH 65  
Min. radius: 110 mm

32.516S



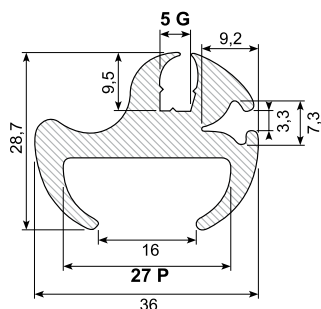
Material: EPDM black  
Hardness: SH 65  
Min. radius: 120 mm

32.523S



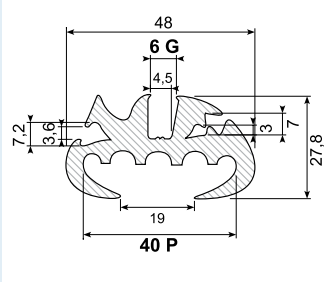
Material: EPDM black  
Hardness: SH 65  
Min. radius: 110 mm

32.527



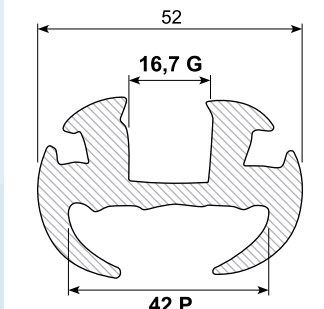
Material: EPDM black  
Hardness: SH 65  
Min. radius: 120 mm

32.1037S



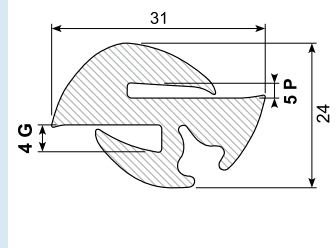
Material: EPDM black  
Hardness: SH 65  
Min. radius: 120 mm

32.1640



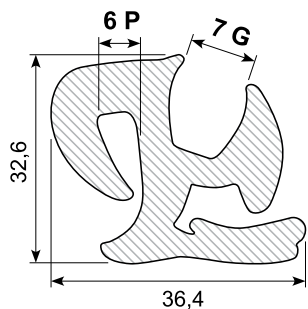
Material: EPDM black  
Hardness: SH 65  
Min. radius: 120 mm

32.754S



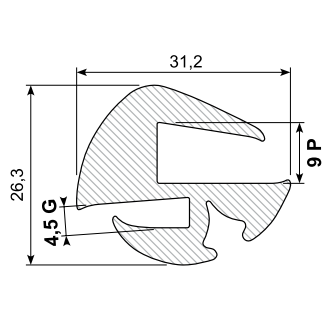
Material: EPDM black  
Hardness: SH 65  
Min. radius: 100 mm  
Safety

**32.866 \***



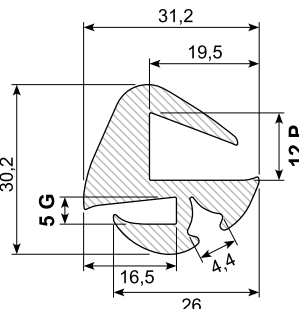
Material: EPDM black  
 Hardness: SH 65  
 Min. radius: 120 mm  
 Safety  
 Min. order: 250 m

**32.795S**



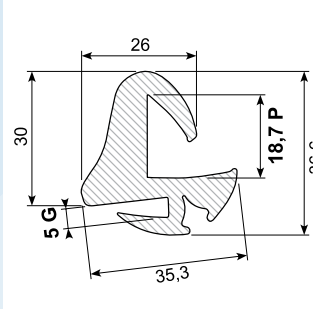
Material: EPDM black  
 Hardness: SH 65  
 Min. radius: 100 mm  
 Safety

**32.7125 \***



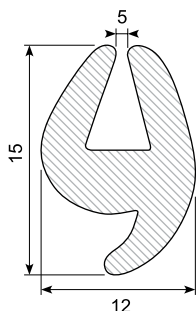
Material: EPDM black  
 Hardness: SH 65  
 Min. radius: 120 mm  
 Safety  
 Min. order: 250 m

**32.7195S**



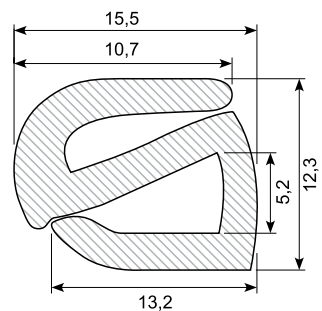
Material: EPDM black  
 Hardness: SH 65  
 Min. radius: 120 mm  
 Safety

**31.365**



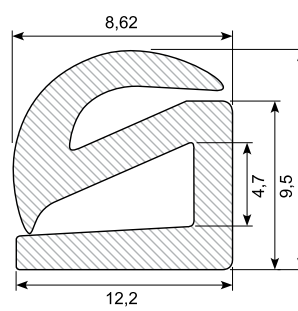
Material: EPDM black  
 Hardness: SH 65

**31.116S**



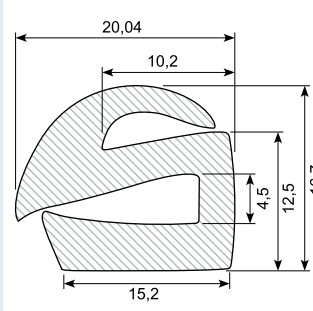
Material: EPDM black  
 Hardness: SH 65

**31.112S**



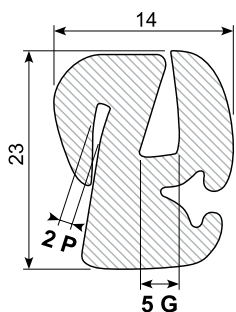
Material: EPDM black  
 Hardness: SH 65

**31.145S**



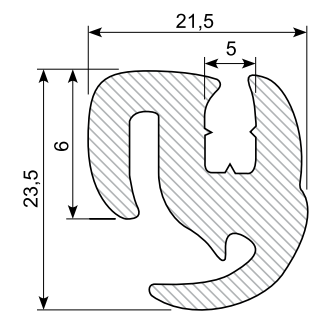
Material: EPDM black  
 Hardness: SH 65

**31.148**



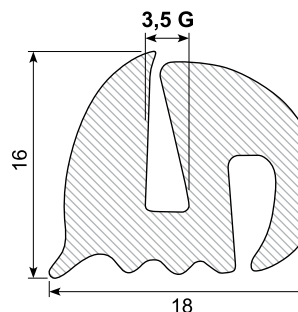
Material: EPDM black  
 Hardness: SH 65

**31.155**



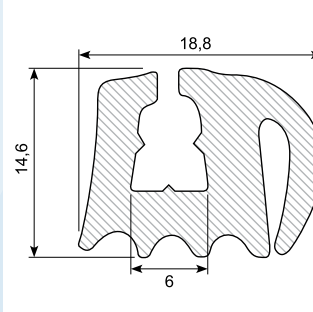
Material: EPDM black  
 Hardness: SH 65

**31.6701**



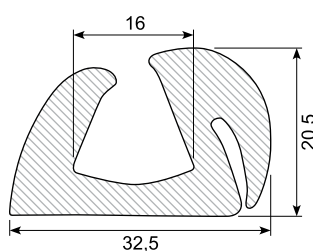
Material: EPDM black  
 Hardness: SH 65

**31.6703 \***



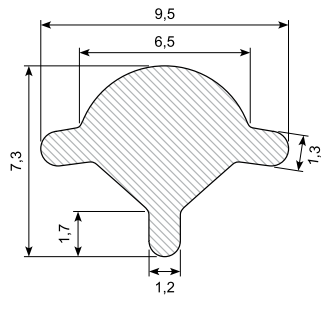
Material: EPDM black  
 Hardness: SH 65  
 Min. order: 1.000 m

**31.6702 \***



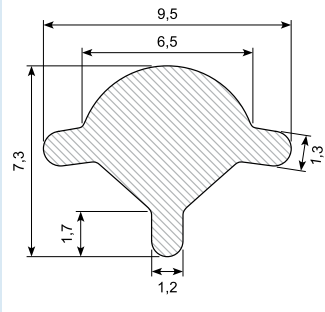
Material: EPDM black  
 Hardness: SH 65  
 Min. order: 500 m

32.309X



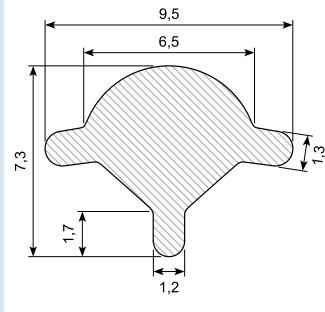
Material: PVC black

32.301 / 32.301X



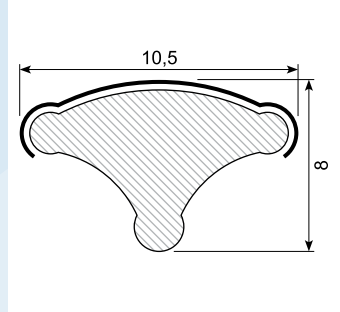
Material: PVC silver

32.300X



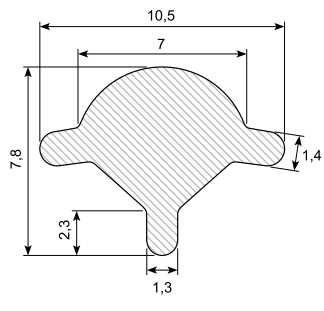
Material: PVC white

32.1301



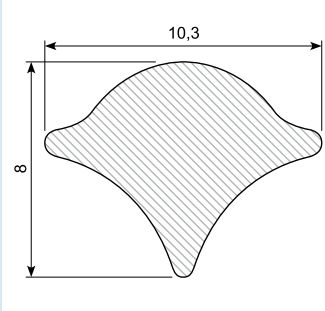
Material: PVC chrome

32.409 / 32.409X



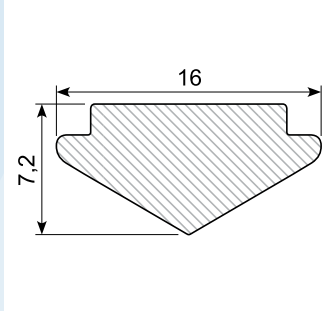
Material: PVC black

32.009S



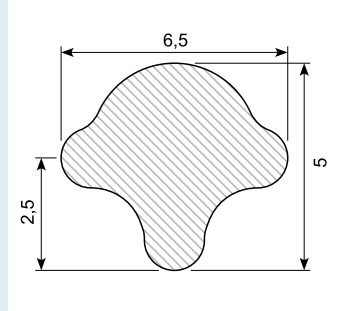
Material: EPDM black  
Hardness: SH 65

32.010

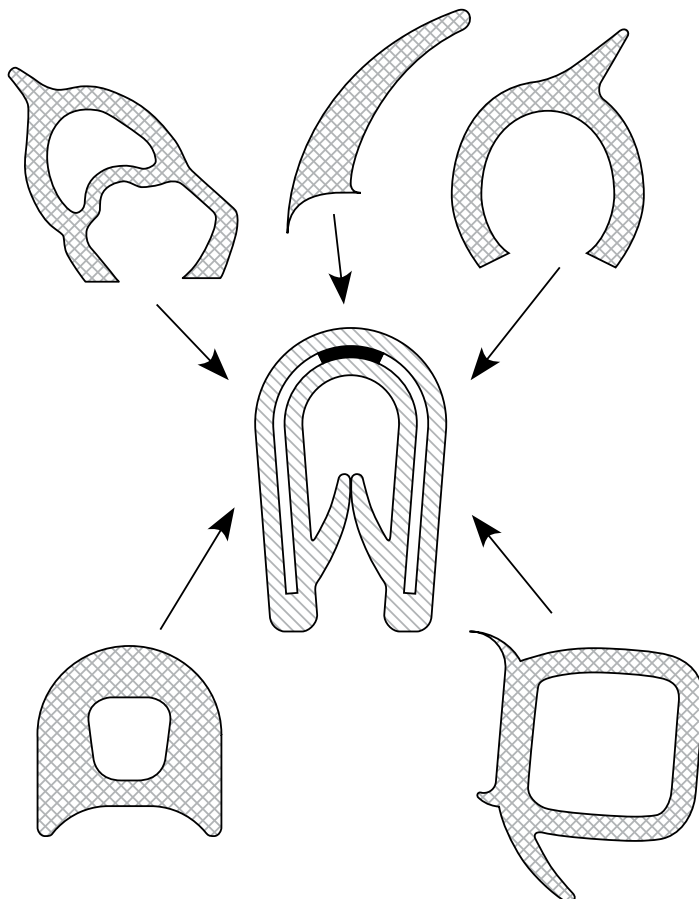


Material: EPDM black  
Hardness: SH 65

32.924K

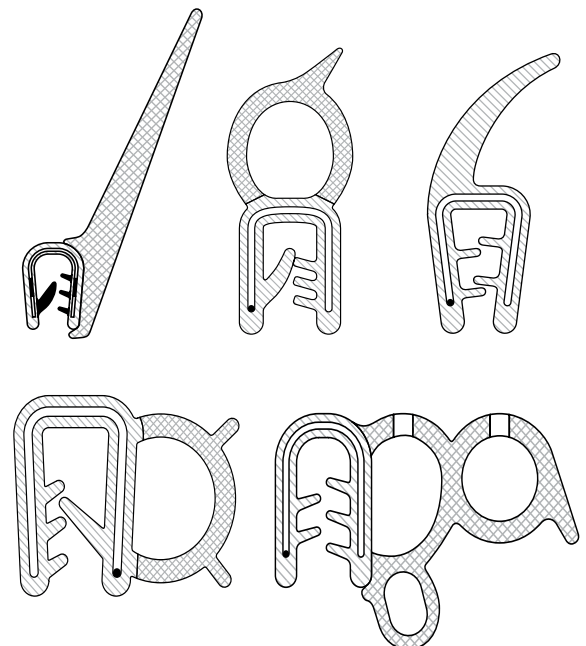


Material: EPDM black  
For 32.924

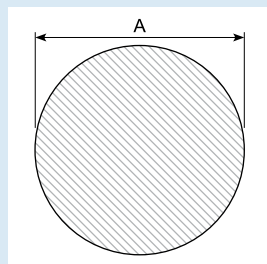


## Edge trims

Configure your own edge trim or choose from the 2.000 different we have in stock.



# Svampegummi / Sponge rubber



Material: Black EPDM  
Hardness: SH 16 - 20  
density 0,45 - 0,6

Material: Dark grey CR  
Hardness: SH 16 - 22  
density 0,4 - 0,6

Material: Dark grey NR  
Hardness: SH 16 - 22  
density 0,4 - 0,55

Material: Dark grey EPDM  
Hardness: SH 16 - 20  
density 0,4 - 0,5

Art.	Ø (mm)
36.7003 *	3
36.7004	4
36.7005	5
36.7006 *	6
36.7008	8
36.7009	9
36.7010	10
36.7012	12
36.7015	15
36.7050 *	50

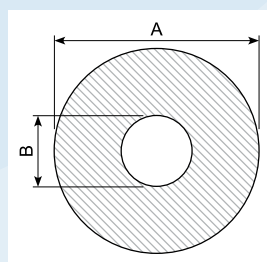
Art.	Ø (mm)
36.103CR	3
36.104CR	4
36.105CR	5
36.106CR	6
36.107CR	7
36.108CR *	8
36.110CR *	10
36.112CR *	12
36.115CR	15 (black)
36.118CR	18 (black)
36.119CR *	19
36.120CR *	20
36.122CR	22

Art.	Ø (mm)
36.102 *	2
36.102.5 *	2,5
36.103 *	3
36.104 *	4
36.106 *	6
36.108	8
36.110 *	10
36.112	12
36.115 *	15
36.120 *	20
36.125 *	25
36.130 *	30

Art.	Ø (mm)
36.102E	2
36.1025E *	2,5
36.103E	3
36.1035E	3,5
36.1045E *	4,5
36.105E *	5
36.106E	6
36.106EG * (Light grey)	6
36.106ESP	6
36.107E	7
36.108E *	8
36.108EG * (Light grey)	8
36.109E *	9
36.110E *	10
36.111E *	11
36.112E	12
36.112EG * (Light grey)	12
36.117E	17
36.120E	20
36.122E *	22
36.125E	25
36.130EX	30
36.135E	35

Material: Black EPDM  
Hardness: SH 16 - 20  
density 0,45 - 0,6

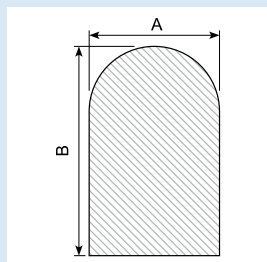
Art.	Ø (mm)	Min. order
36.7004.5X	4,5	3.000
36.7005X	5	3.000
36.7006X	6	3.000
36.7007X	7	3.000
36.7008X	8	3.000
36.7008.5X	8,5	3.000
36.7009X	9	3.000
36.7010X	10	3.000
36.7010.5X	10,5	3.000
36.7011X	11	3.000
36.7011.5X	11,5	3.000
36.7012X	12	3.000
36.7014X	14	3.000
36.7018X	18	
36.7028X	28	
36.7064X	64	



Material: Black EPDM

Art.	A x B (mm)	Min. length (m)
36.3416068 *	16 x 6,8	
36.34155105 *	15,5 x 10,5	
36.344511 *	45 x 11	
36.341840 *	40 x 18	200
36.342026 *	26 x 20	1.000
36.342030	30 x 20	Stock goods
36.342226 *	26 x 22	1.000
36.342232 *	32 x 22	500
36.342433 *	33 x 24	500
36.342529 *	29 x 25	1.000
36.342840 *	40 x 28	250

\* Skaffevare / Special order item



Material: NR  
Hardness: SH 16 - 20  
density 0,45 - 0,6

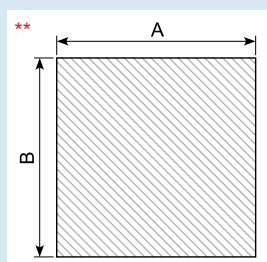
Art.	A x B (mm)	Color
36.197	4 x 6	Blue grey
36.198A *	6 x 8	Blue grey

Material: CR  
Hardness: SH 16 - 20  
density 0,4

Art.	A x B (mm)	Color
36.198CR *	6 x 8	Dark grey
36.200	8 x 8	Dark grey
36.202	10 x 12	Dark grey

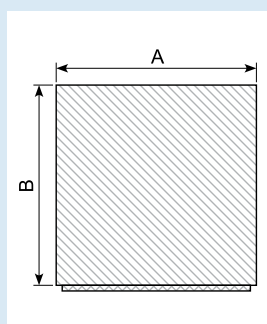
Material: EPDM

Art.	A x B (mm)	Color
36.198	6 x 8	Grey
36.198S	6 x 8	Black
36.199	6 x 10	Light grey
36.208	10 x 20	Light grey
36.3314	12 x 17	Dark grey



Material: Dark grey, EPDM  
Hardness: SH 14 - 16  
density 0,38 - 0,42

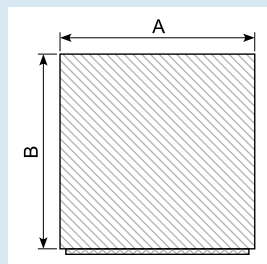
Art.	A x B (mm)	Varenr.	A x B (mm)	Art.	A x B (mm)	Art.	A x B (mm)
35.0806 *	8 x 6	35.1605	16 x 5	35.2515	25 x 15	35.4010	40 x 10
35.1003 *	10 x 3	35.1608 *	16 x 8	35.2520	25 x 20	35.4020	40 x 20
35.1004 *	10 x 4	35.18053	18 x 5,3	35.2525	25 x 25	35.4030 *	40 x 30
35.1005	10 x 5	35.2003	20 x 3	35.3005	30 x 5	35.4035 *	40 x 35
35.1007 *	10 x 7	35.2005	20 x 5	35.3007	30 x 7	35.4040	40 x 40
35.1008	10 x 8	35.20055 *	20 x 5,5	35.3010	30 x 10	35.4505 *	45 x 5
35.1010	10 x 10	35.2010	20 x 10	35.3012 *	30 x 12	35.5005 *	50 x 5
35.1203 *	12 x 3	35.2012 *	20 x 12	35.3015	30 x 15	35.5006 *	50 x 6
35.1209 *	12 x 9	35.2015	20 x 15	35.3020	30 x 20	35.5010 *	50 x 10
35.1212	12 x 12	35.2018 *	20 x 18	35.3025	30 x 25	35.5010E	50 x 10
35.1503 *	15 x 3	35.2020	20 x 20	35.3030	30 x 30	35.6010 *	60 x 10
35.1507	15 x 7	35.2502	25 x 2	35.3505	35 x 5	35.6040 *	60 x 40
35.1510	15 x 10	35.2505	25 x 5	35.3510 *	35 x 10		
35.1512 *	15 x 12	35.2506 *	25 x 6	35.3535	35 x 35		
35.1515	15 x 15	35.2510	25 x 10	35.4005	40 x 5		



Material: Dark grey, EPDM, with adhesive  
Hardness: SH 14 - 16  
density 0,38 - 0,42

Art.	A x B (mm)	Varenr.	A x B (mm)	Art.	A x B (mm)	Art.	A x B (mm)
35.0806K *	8 x 6	35.1507K *	15 x 7	35.2207K *	22 x 7	35.3505K *	35 x 5
35.0808K *	8 x 8	35.1510K	15 x 10	35.2505K	25 x 5	35.3510K *	35 x 10
35.1003K	10 x 3	35.1512K *	15 x 12	35.2506K *	25 x 6	35.3535K *	35 x 35
35.1004K *	10 x 4	35.1515K	15 x 15	35.2508K *	25 x 8	35.4003K	40 x 3
35.1005K	10 x 5	35.1605K *	16 x 5	35.2510K	25 x 10	35.4005K	40 x 5
35.1007K *	10 x 7	35.1608K *	16 x 8	35.2515K	25 x 15	35.4010K	40 x 10
35.1008K	10 x 8	35.1708K *	17 x 8	35.2520K	25 x 20	35.4012K *	40 x 12
35.1010K	10 x 10	35.1803K *	18 x 3	35.2525K	25 x 25	35.4020K *	40 x 20
35.1203K *	12 x 3	35.18053K *	18 x 5,3	35.2806K	28 x 6	35.4030K	40 x 30
35.1204K *	12 x 4	35.1809K *	18 x 9	35.3003K	30 x 3	35.4035K	40 x 35
35.1204KL	12 x 4	35.1904K *	19 x 4	35.3005K	30 x 5	35.4040K	40 x 40
35.1206K *	12 x 6	35.2003K	20 x 3	35.3006K	30 x 6	35.4505K *	45 x 5
35.1208K *	12 x 8	35.2005K	20 x 5	35.3007K *	30 x 7	35.5006K	50 x 6
35.1209K *	12 x 9	35.20055K *	20 x 5,5	35.3010K	30 x 10	35.5010K	50 x 10
35.1212K	12 x 12	35.2010K *	20 x 10	35.3012K	30 x 12	35.5020K *	50 x 20
35.1503K *	15 x 3	35.2010KL	20 x 10	35.3015K	30 x 15	35.6002K	60 x 2
35.1504K	15 x 4	35.2012K	20 x 12	35.3020K	30 x 20	35.8020K *	80 x 20
35.1505K	15 x 5	35.2015K	20 x 15	35.3025K *	30 x 25	35.10020K *	100 x 20
35.1506K	15 x 6	35.2020K	20 x 20	35.3030K	30 x 30		

# Svampegummi / Sponge rubber

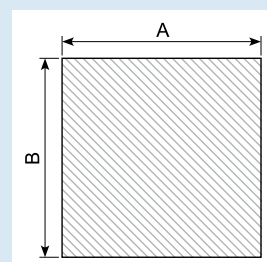


Material: White silicone  
Hardness: SH 16 - 20  
density 0,4 - 0,5

Material: Black silicone  
Hardness: SH 16 - 20  
density 0,4 - 0,5

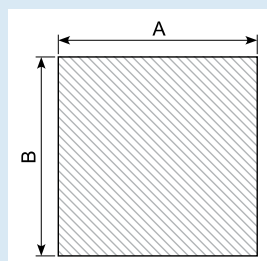
Art.	A x B (mm)	Art.	A x B (mm)	Art.	A x B (mm)
36.1003SIH*	10 x 3	36.1812SIH*	18 x 12	36.2515SIH*	25 x 15
36.1006SIH*	10 x 6	36.2003SIH*	20 x 3	36.2520SIH	25 x 20
36.1010SIH*	10 x 10	36.2005SIH	20 x 5	36.2525SIH	25 x 25
36.1212SIH	12 x 12	36.2010SIH*	20 x 10	36.3010SIH*	30 x 10
36.1505SIH	15 x 5	36.2010SIHK* (with adhesive)	20 x 10	36.3020SIH*	30 x 20
36.1512SIH	15 x 12	36.2015SIH	20 x 15	36.4012SIH*	40 x 12
36.1610SIH*	16 x 10	36.2020SIH*	20 x 20	36.5005SIH*	50 x 5
36.1616SIH	16 x 16	36.2510SIH	25 x 10		

Art.	A x B (mm)
36.2010SIS*	20 x 10
36.2520SIS*	25 x 20



Material: Dark grey, EPDM  
Hardness: SH 16 - 20  
density 0,4 - 0,5

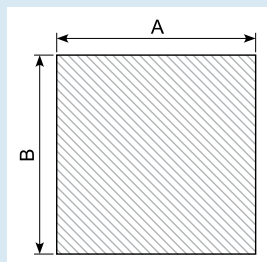
Art.	A x B (mm)	Art.	A x B (mm)	Art.	A x B (mm)
36.1010E (black)	10 x 10	36.2010E	20 x 10	36.4015E	40 x 15
36.1210E*	12 x 10	36.2510E	25 x 10	36.4020E	40 x 20
36.1503E*	15 x 3	36.2520E*	25 x 20	36.4025E*	40 x 25
36.1505E	15 x 5	36.2525E*	25 x 25	36.4030E	40 x 30
36.1510E	15 x 10	36.3010E	30 x 10	36.5020E*	50 x 20
36.1512E	15 x 12	36.3025E	30 x 25	36.6030E*	60 x 30
36.1612E*	16 x 12	36.3520E	35 x 20		
36.1815EG (light grey)	18 x 15	36.4010E	40 x 10		



Material: Dark grey, NR  
Hardness: SH 16 - 20  
density 0,4 - 0,5

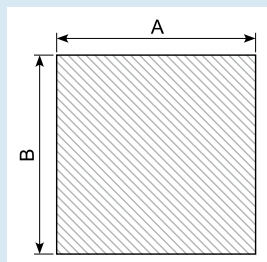
Art.	A x B (mm)	Art.	A x B (mm)	Art.	A x B (mm)
36.0505*	5 x 5	36.1605*	16 x 5	36.3005	30 x 5
36.0806*	8 x 6	36.1808G	18 x 8	36.3010	30 x 10
36.1003	10 x 3	36.1816*	18 x 16	36.3015	30 x 15
36.1005	10 x 5	36.2002*	20 x 2	36.3020	30 x 20
36.1005G (light grey)*	10 x 5	36.2003*	20 x 3	36.3030	30 x 30
36.1007*	10 x 7	36.2005	20 x 5	36.3516*	35 x 16
36.1008*	10 x 8	36.2010	20 x 10	36.4010	40 x 10
36.1010 (black)	10 x 10	36.2015	20 x 15	36.4012*	40 x 12
36.1205*	12 x 5	36.2020	20 x 20	36.4015*	40 x 15
36.1206	12 x 6	36.2503*	25 x 3	36.4025	40 x 25
36.1210	12 x 10	36.2505	25 x 5	36.5010*	50 x 10
36.1503	15 x 3	36.2510	25 x 10	36.5020	50 x 20
36.1510	15 x 10	36.2515	25 x 15	36.5025*	50 x 25
36.1512*	15 x 12	36.2520*	25 x 20	36.5030	50 x 30
36.1515	15 x 15	36.2525	25 x 25	36.6030*	60 x 30
36.1604*	16 x 4	36.3003*	30 x 3		





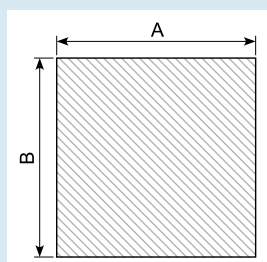
Material: Black, CR  
 Hardness: SH 18 - 25  
 density 0,5 - 0,75

Art.	A x B (mm)
36.1010CR *	10 x 10
36.2010CR *	20 x 10
36.2020CR *	20 x 20
36.3015CR	30 x 15
36.4020CR *	40 x 20
36.5005CR *	50 x 5



Economy  
 Material: Black  
 Hardness: Density 0,45

Art.	A x B (mm)	Min. order (m)	
36.1005X	10 x 5		
36.1505X	15 x 5		
36.2005X	20 x 5		
36.2505X	25 x 5		
36.3005X	30 x 5		
36.1406X	14 x 6		
36.1007X	10 x 7		
36.1507X	15 x 7		
36.2507X	25 x 7		
36.2008X *	20 x 8	3.000	
36.2508X *	25 x 8	3.000	
36.1010X	10 x 10		
36.1210X	12 x 10		
36.2010X *	20 x 10	3.000	
36.4010X	40 x 10		
36.5010X	50 x 10		
36.12511X	12,5 x 11		
36.1212X	12 x 12		
36.1612X	16 x 12		
36.2318X	23 x 18		
36.3015X	30 x 15		
36.3515X	35 x 15		
36.4020X *	40 x 20	3.000	
36.3020X	30 x 20		Soft corners
36.3520X	35 x 20		Soft corners
36.7013X	70 x 13		Soft corners
36.2512X	25 x 12		Soft corners



Material: NBR

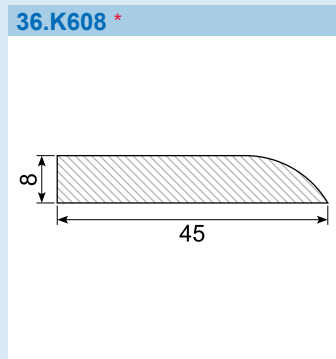
Art.	A x B (mm)
36.6020NBR	60 x 20



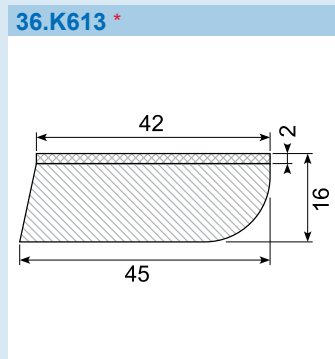
Sponge rubber plates  
 Material: EPDM / NR  
 Color: Dark grey

Art.	Length (mm)	Thickness (mm)	Width (mm)	Quality
38.152EPDM	1.000	2	1.000	EPDM
38.153EPDM	1.000	3	1.000	EPDM
38.154EPDM	1.000	4	1.000	EPDM
38.155EPDM	1.000	5	1.000	EPDM
38.156EPDM	1.000	6	1.000	EPDM
38.158EPDM	1.000	8	1.000	EPDM
38.160EPDM	1.000	10	1.000	EPDM
38.162EPDM	1.000	12	1.000	EPDM
38.165EPDM	1.000	15	1.000	EPDM
38.170EPDM	1.000	20	1.000	EPDM
38.175EPDM	1.000	25	1.000	EPDM
38.180NR	1.000	30	1.000	NR

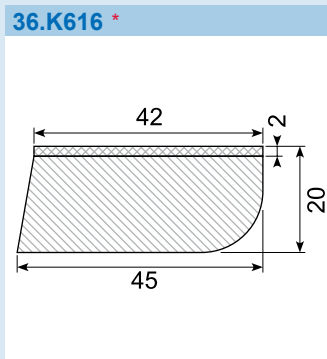
# Svampegummi / Sponge rubber



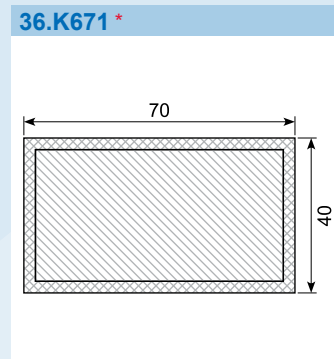
Color: Black



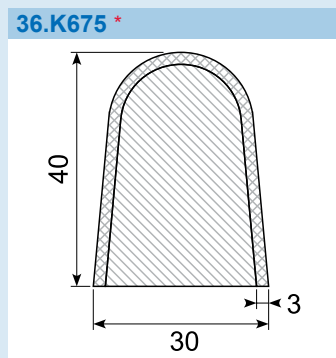
Color: Black



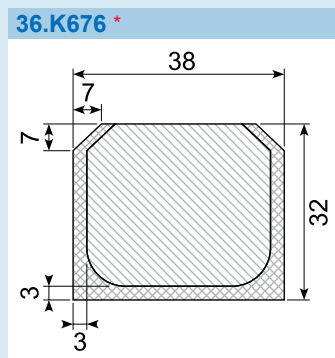
Color: Black



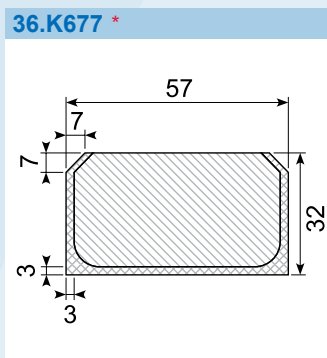
Color: Black



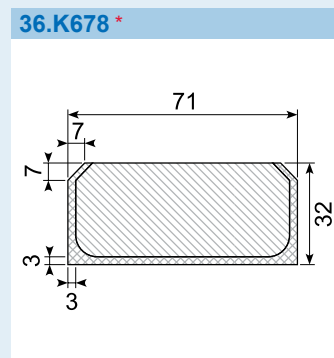
Color: Black



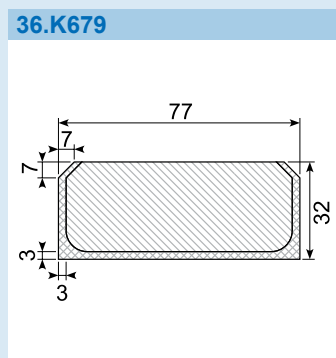
Color: Black



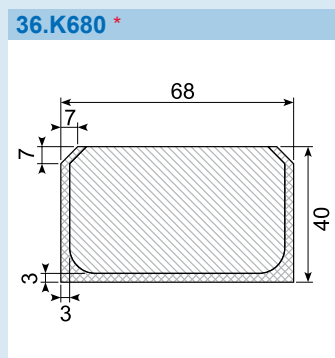
Color: Black



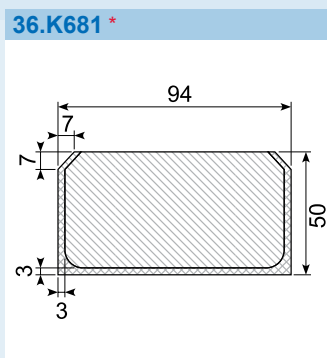
Color: Black



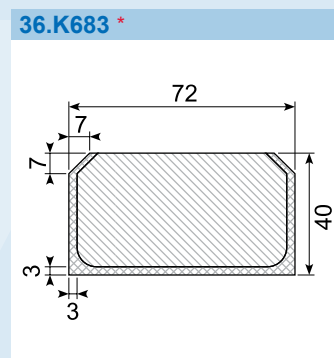
Color: Black



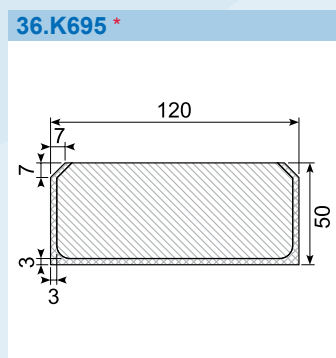
Color: Black



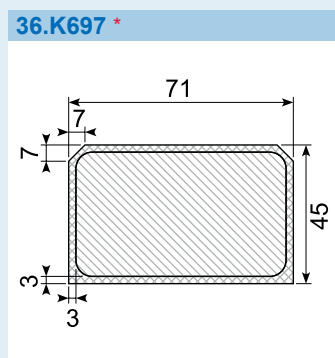
Color: Black



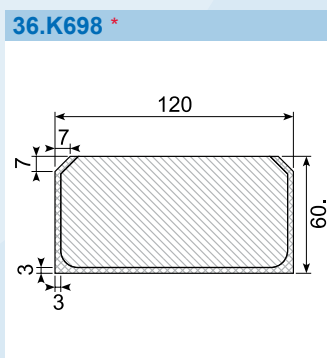
Color: Black



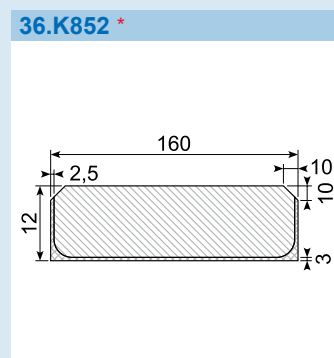
Color: Black



Color: Black

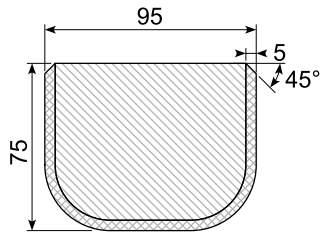


Color: Black



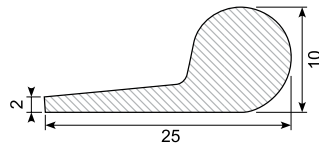
Color: Black

36.K853 \*



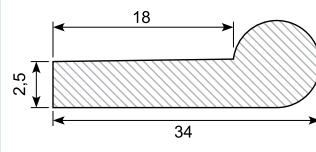
Color: Black

36.3351 \*



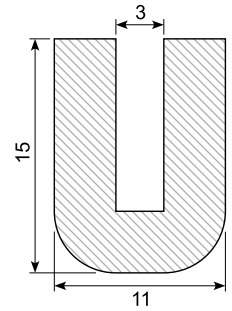
Material: EPDM black  
Hardness: SH 14 - 16  
density 0,38 - 0,4  
Min. order: 500 m

36.3354 \*



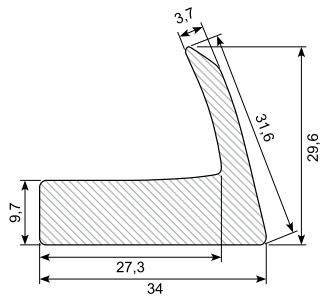
Material: NR dark grey  
Hardness: SH 16 - 20  
density 0,4  
Min. order: 500 m

36.3813



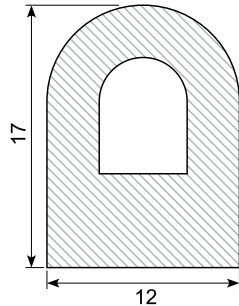
Material: EPDM dark grey  
Hardness: SH 16 - 20  
density 0,4 - 0,45

36.B380



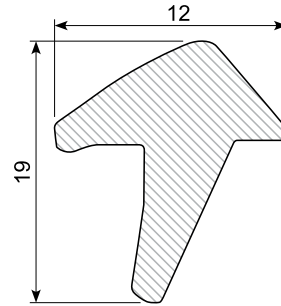
Material: EPDM  
Length: 3 m

36.3315



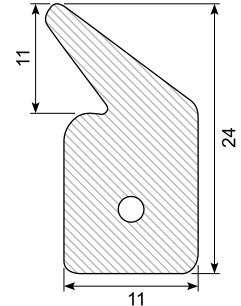
Material: EPDM black  
Hardness: SH 18 - 20  
density 0,45 - 0,55

36.3504



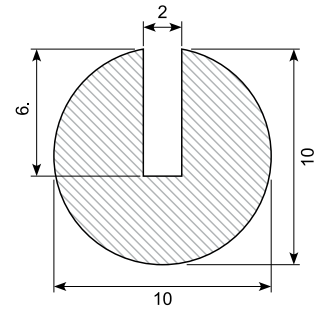
Material: EPDM dark grey  
Hardness: SH 14 - 16  
density 0,38 - 0,42

36.3881



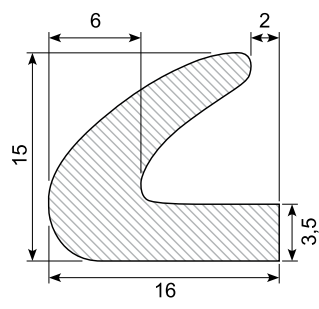
Material: EPDM grey  
Hardness: SH 16 - 20  
density 0,4 - 0,5

36.14044 \*



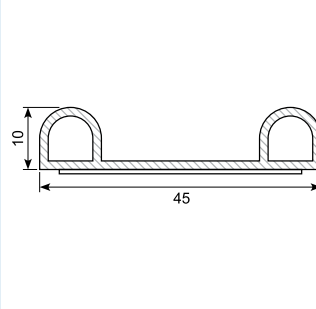
Material: EPDM  
Min. order: 500 m

36.3704



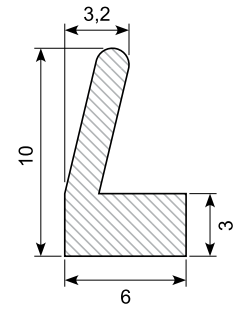
Material: NR dark grey  
Hardness: SH 20 - 25  
density 0,55 - 0,65

30.13144



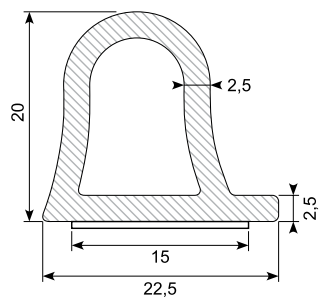
Material: EPDM  
with adhesive

36.3897



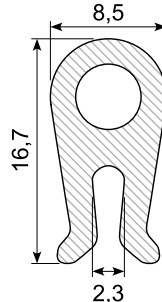
Material: Light grey EPDM

30.13315 \*



Hardness: Density 0,7  
Min. order: 1.000 m  
With adhesive

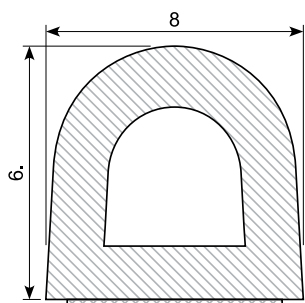
30.9884S \*



Material: EPDM  
Min. order: 3.000 m

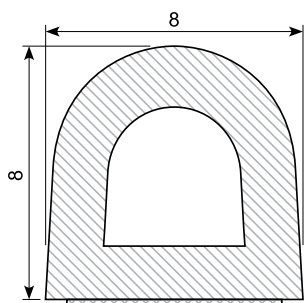
# Svampegummi / Sponge rubber

36.9086S



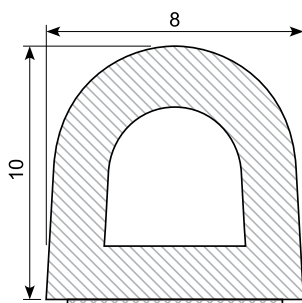
Material: Black EPDM with adhesive

36.9088S



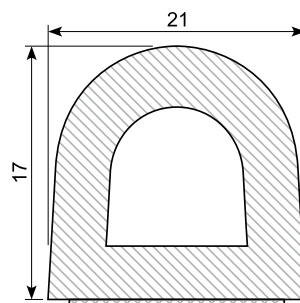
Material: Black EPDM with adhesive

36.90810



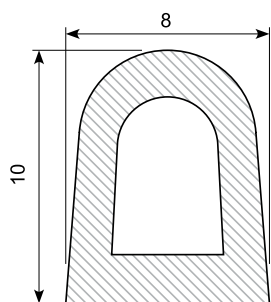
Material: Black EPDM with adhesive

36.92117



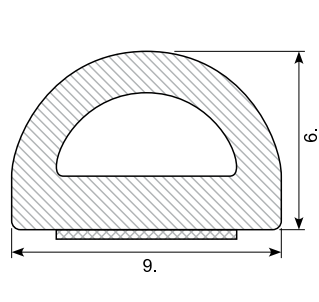
Material: Black EPDM with adhesive

36.730810



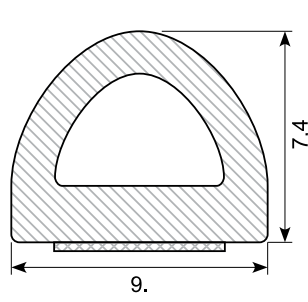
Material: EPDM  
Density: 0,35 - 0,45  
With adhesive

36.730906 - 36.730906H \*



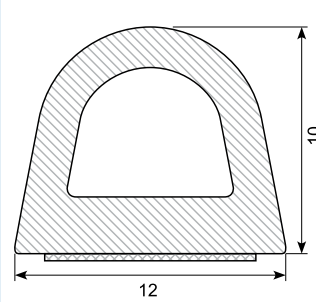
Material: White EPDM with adhesive  
Density: 0,25 - 0,35

36.730907 - 36.730907G



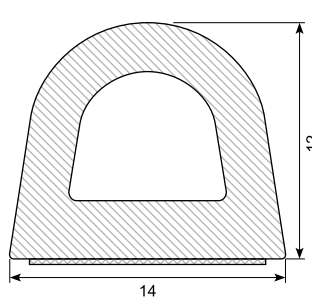
Material: Black/grey EPDM with adhesive  
Density: 0,25 - 0,35

36.731210 - 36.731210H



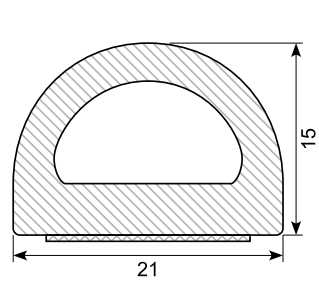
Material: EPDM with adhesive  
Density: 0,25 - 0,35

36.731412D



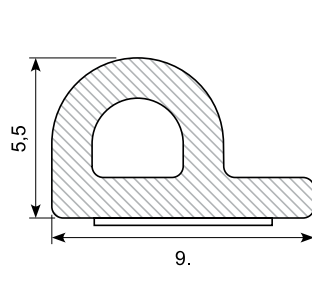
Material: EPDM with adhesive  
Density: 0,25 - 0,35

36.732115



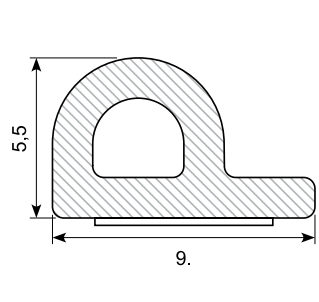
Material: EPDM with adhesive  
Density: 0,45 - 0,55

36.80955S



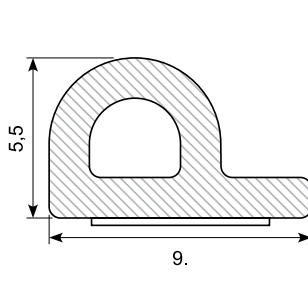
Material: Black EPDM with adhesive

36.730955



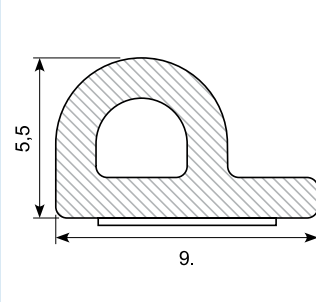
Material: Black EPDM with adhesive  
Density: 0,25 - 0,35

36.730955G



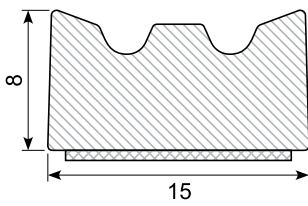
Material: Light grey with adhesive  
Density: 0,25 - 0,35

36.730955H



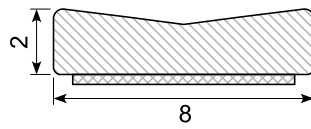
Material: White with adhesive  
Density: 0,25 - 0,35

36.721508



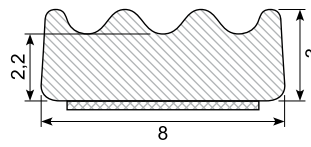
Material: Black EPDM  
Density: 0,35 - 0,45  
With adhesive

36.720802



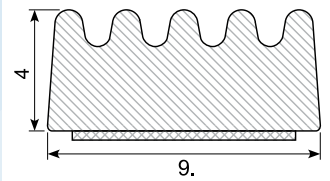
Material: Black EPDM  
Density: 0,35 - 0,45  
With adhesive

36.720803



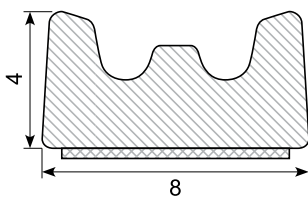
Material: Black EPDM  
Density: 0,35 - 0,45  
With adhesive

36.720904



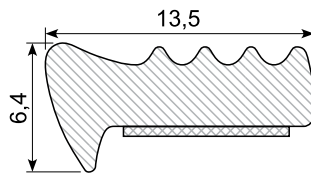
Material: Black EPDM  
Density: 0,35 - 0,45  
With adhesive

36.720804



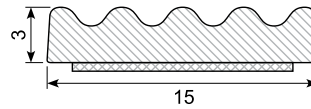
Material: Black EPDM  
Density: 0,35 - 0,45  
With adhesive

36.7213564



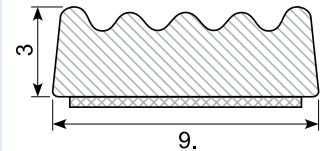
Material: Black EPDM  
Density: 0,35 - 0,45  
With adhesive

36.721503



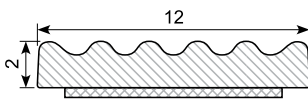
Material: Black EPDM  
Density: 0,35 - 0,45  
With adhesive

36.720903



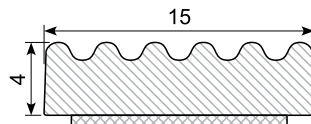
Material: Black EPDM  
Density: 0,35 - 0,45  
With adhesive

36.721202



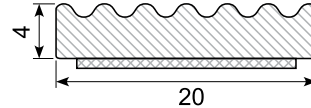
Material: Black EPDM  
Density: 0,35 - 0,45  
With adhesive

36.721504



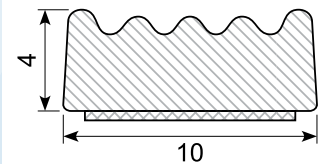
Material: Black EPDM  
Density: 0,35 - 0,45  
With adhesive

36.722004



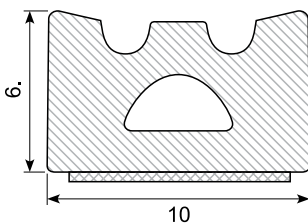
Material: Black EPDM  
Density: 0,35 - 0,45  
With adhesive

36.721004



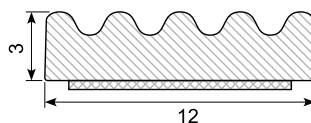
Material: Black EPDM  
Density: 0,35 - 0,45  
With adhesive

36.721006



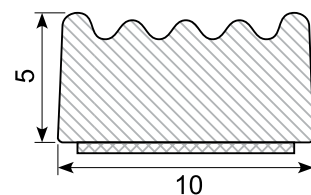
Material: Black EPDM  
Density: 0,35 - 0,45  
With adhesive

36.721203



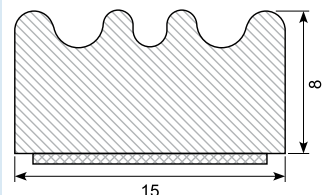
Material: Black EPDM  
Density: 0,35 - 0,45  
With adhesive

36.721005



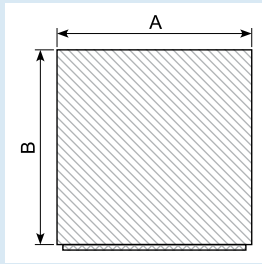
Material: Black EPDM  
Density: 0,35 - 0,45  
With adhesive

36.721508B



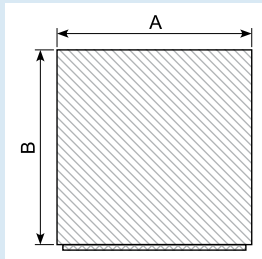
Material: Black EPDM  
Density: 0,25 - 0,35  
With adhesive

# Cellegummi / Cellular rubber



Material: Black EPDM,  
with adhesive  
Hardness: SH 25  
density 0,14

Art.	A x B (mm)	Art.	A x B (mm)	Art.	A x B (mm)	Art.	A x B (mm)
36.60403 *	4 x 3	36.61005	10 x 5	36.61530 *	15 x 30	36.63005	30 x 5
36.60404 *	4 x 4	36.61008	10 x 8	36.61603	16 x 3	36.63010	30 x 10
36.60405	4 x 5	36.61010	10 x 10	36.61710 *	17 x 10	36.63012	30 x 12
36.60503	5 x 3	36.61203	12 x 3	36.61808	18 x 8	36.64003	40 x 3
36.60505	5 x 5	36.61204 *	12 x 4	36.62002	20 x 2	36.64005 *	40 x 5
36.60605 *	6 x 5	36.61205	12 x 5	36.62003	20 x 3	36.64010	40 x 10
36.60802	8 x 2	36.61310 *	13 x 10	36.62004	20 x 4	36.64015	40 x 15
36.60803	8 x 3	36.61502 *	15 x 2	36.62005	20 x 5	36.65003	50 x 3
36.60804	8 x 4	36.61503	15 x 3	36.62008	20 x 8	36.65010	50 x 10
36.60805 *	8 x 5	36.61505	15 x 5	36.62010	20 x 10	36.66004 *	60 x 4
36.60808	8 x 8	36.61506	15 x 6	36.62305 *	23 x 5	36.66004X	60 x 4
36.61001	10 x 1	36.61508	15 x 8	36.62502	25 x 2	36.67502 *	75 x 2
36.61002	10 x 2	36.61510	15 x 10	36.62506	25 x 6		
36.61003	10 x 3	36.61512	15 x 12	36.62510	25 x 10		
36.61004	10 x 4	36.61518 *	15 x 18	36.62525 *	25 x 25		



Material: CR, with  
standard  
adhesive.  
CR-5952 tape  
without glass-  
fiber  
Hardness: SH 25  
density 0,14

Art.	A x B (mm)	Art.	A x B (mm)	Art.	A x B (mm)
36.60802CR	8 x 2	36.62004CR *	20 x 4	36.65005CR-5952 *	50 x 5
36.60804CR	8 x 4	36.63005CR-5952 *	30 x 5	36.65007CR *	50 x 7
36.60808CR *	8 x 8	36.63030CR	30 x 30	36.68005CR *	80 x 5
36.61003CR *	10 x 3	36.63204CR *	32 x 4	36.68005CR-5952 *	80 x 5
36.61010CR *	10 x 10	36.64005CR *	40 x 5		
36.61609CR *	16 x 9	36.65005CR *	50 x 5		

Cellular rubber plates no adhesive

Material: EPDM  
Color: Black

Art.	Length (mm)	Thickness (mm)	Width (mm)	Quality
38.188 *	1.000	40	2.000	EPDM
38.189 *	1.000	50	2.000	EPDM

Cellular rubber plates with adhesive

Material: EPDM  
Color: Black

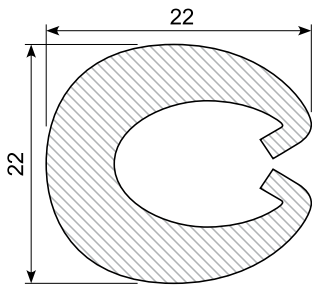
Art.	Length (mm)	Thickness (mm)	Width (mm)	Quality
38.160E/K	1.000	10	2.000	EPDM
38.170E/K *	1.000	20	2.000	EPDM
38.175E/K *	1.000	25	2.000	EPDM

Cellular rubber plates

Material: CR  
Color: Black

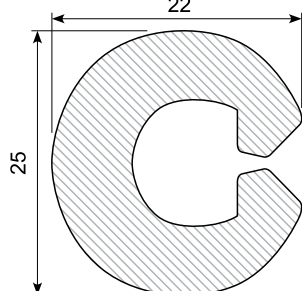
Art.	Length (mm)	Thickness (mm)	Width (mm)	Quality
38.190 *	1.000	10	1.400	CR
38.191 *	1.000	15	1.400	CR

34.601\* / 34.601G\*



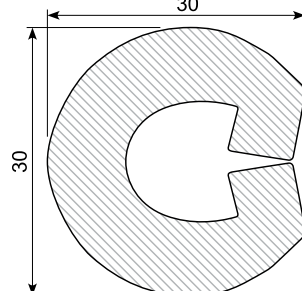
Material: PVC black  
Min. order: 5 m  
34.601G\* PVC grey  
Min. order: 50-500m

34.602\* / 34.602G\*



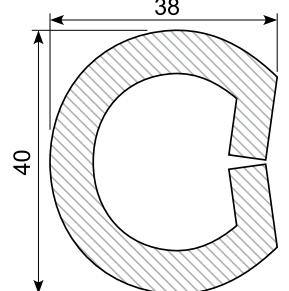
Material: PVC black  
Min. order: 5 m  
34.602G\* PVC grey  
Min. order: 50 m

34.603 / 34.603G



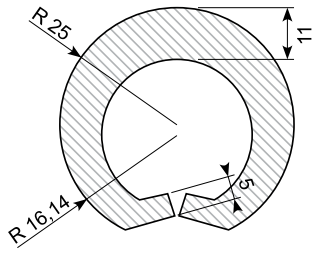
Material: PVC black  
34.603G Grey

34.604\*



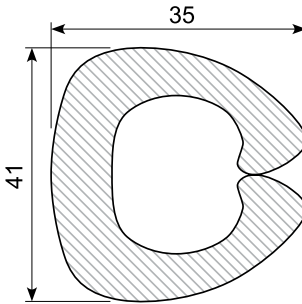
Material: PVC black  
Min. order: 50 m

34.7102-50\*



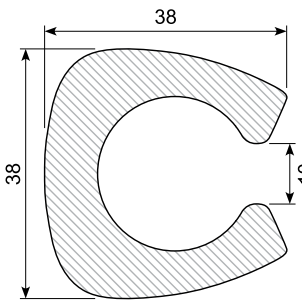
Material: PVC black  
Min. order: 5 m

34.614\*



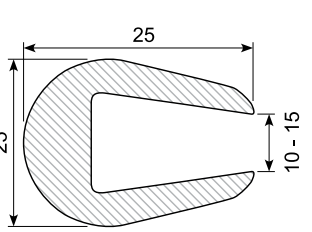
Material: PVC black  
Min. order: 50 m

34.62105\*



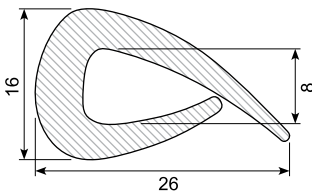
Material: EPDM black  
Min. order: 5 m

34.3032\*



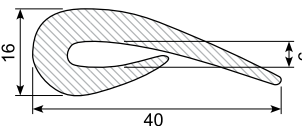
Material: PVC black  
Min. order: 51 m

34.641\*



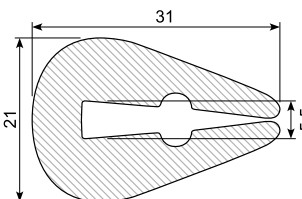
Material: PVC black  
Min. order: 5 m

34.643\*



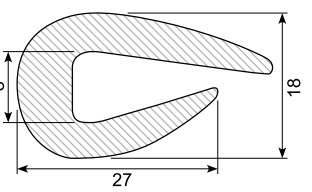
Material: PVC black  
Min. order: 50 m

34.644\*



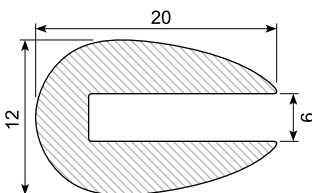
Material: PVC black  
Min. order: 50 m

34.620010\*



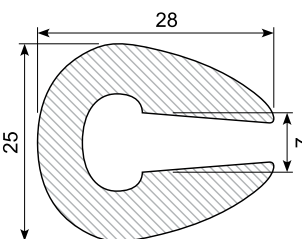
Material: PVC black  
Min. order: 5 m

34.620040



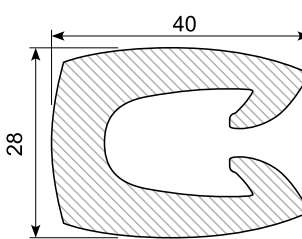
Material: PVC black  
Min. order: 5 m

34.620210



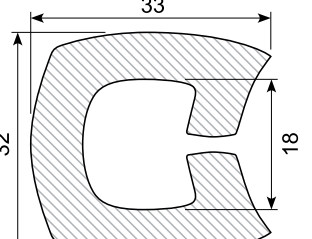
Material: PVC black  
Min. order: 5 m

34.613



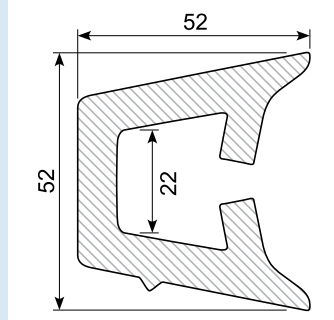
Material: PVC black

34.7196\*



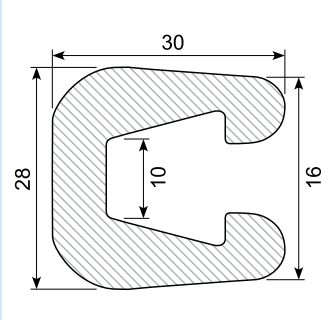
Material: PVC black  
Min. order: 20 m

34.7199 \*



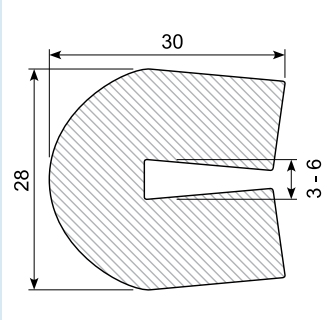
Material: PVC black  
Min. order: 25 m

34.620140 \*



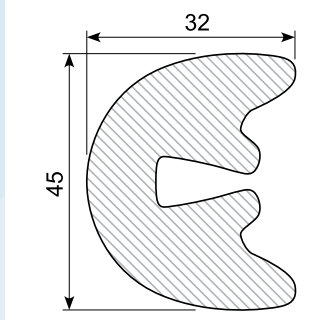
Material: PVC black  
Min. order: 5 m

34.3011



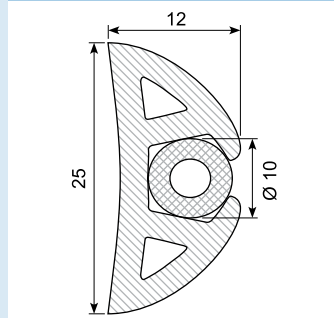
Material: PVC black

34.62110 \*



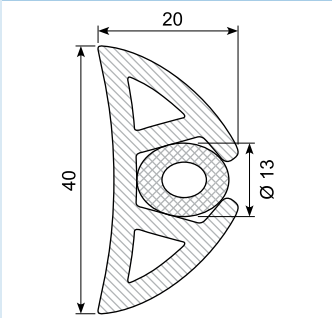
Material: PVC black  
Min. order: 5 m

34.62039 \*



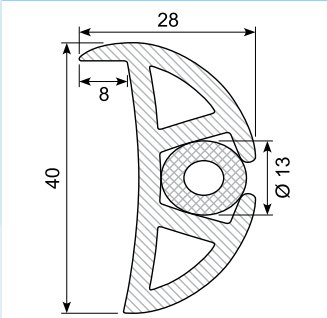
Material: PVC black  
Min. order: 5 m

34.62040



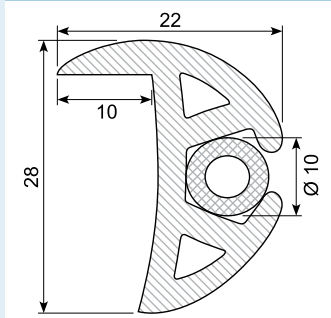
Material: PVC black

34.620420 \*



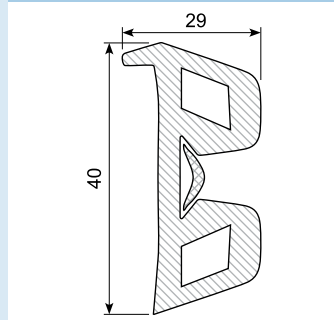
Material: PVC black  
Min. order: 5 m

34.62041



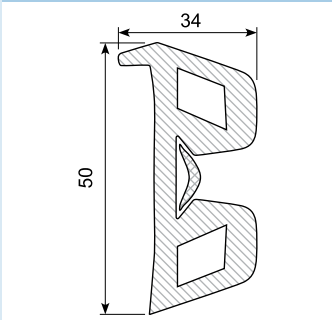
Material: PVC black

34.624 \*



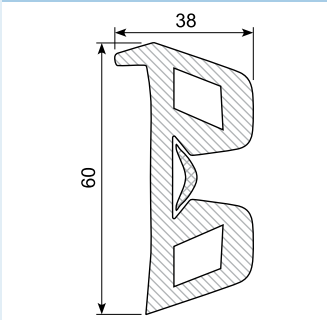
Material: PVC black  
Min. order: 50 m

34.625 \*



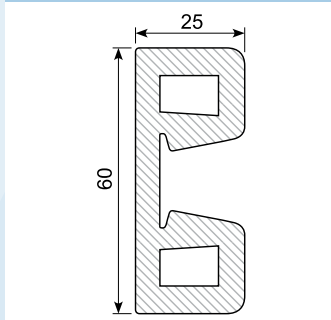
Material: PVC black  
Min. order: 5 m

34.626 \*



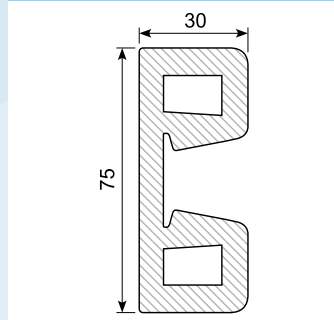
Material: PVC black  
Min. order: 5 m

34.636



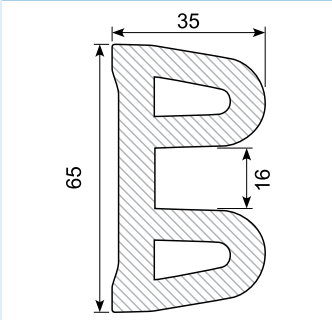
Material: PVC black

34.637 \*



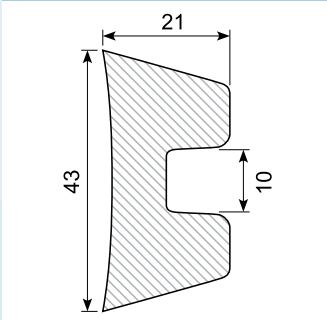
Material: PVC black  
Min. order: 20 m

34.3020



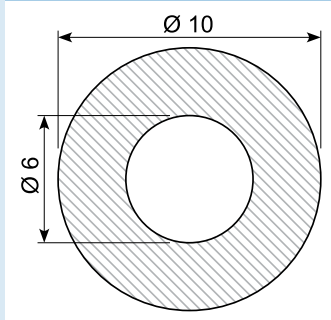
Material: PVC black

34.7514 \*



Material: PVC black  
Min. order: 5 m

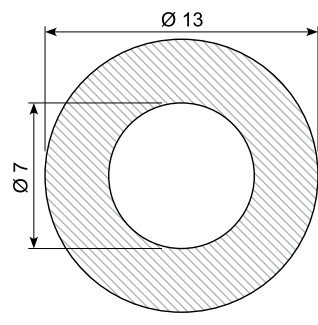
34.62610S \*



Material: PVC black  
Min. order: 5 m

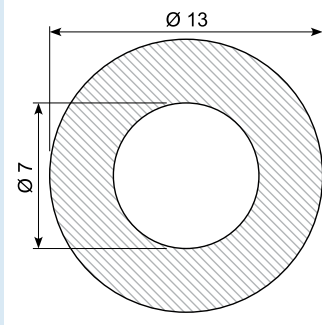


34.62713H \*



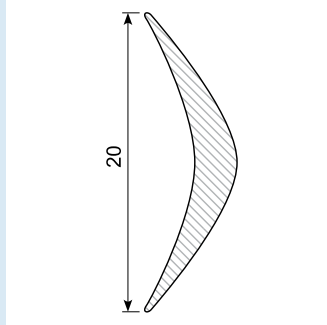
Material: PVC white  
Min. order: 5 m

34.62713S \*



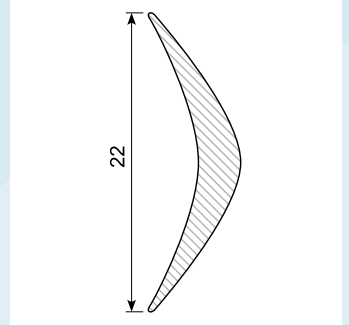
Material: PVC black  
Min. order: 5 m

34.677



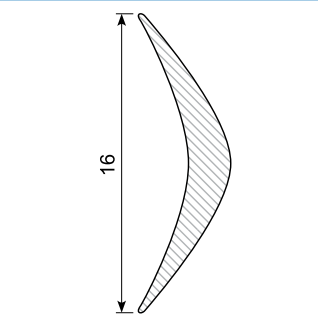
Material: PVC white

34.678 \*



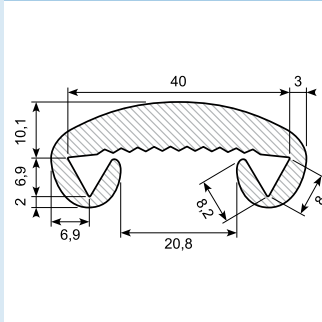
Material: PVC white  
Min. order: 5 m

34.676S \*



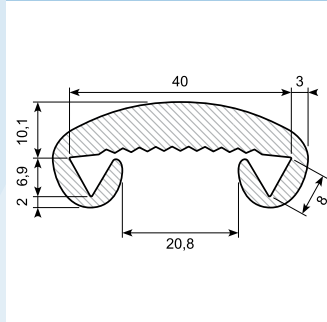
Material: PVC black for 34.624  
and 34.7106  
Min. order: 300 m

34.608



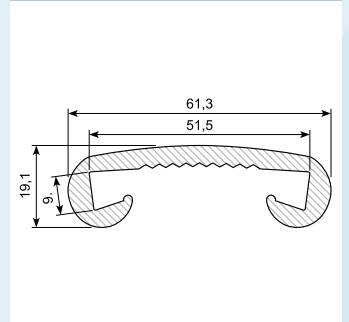
Material: PVC black  
Current stock available

34.608X



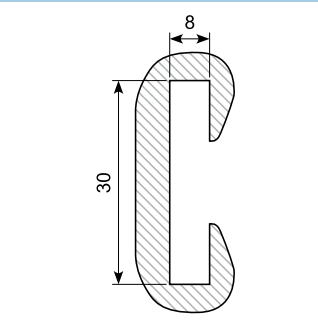
Material: PVC black

34.609X



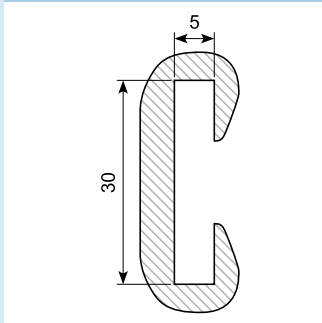
Material: PVC black

34.606 \*



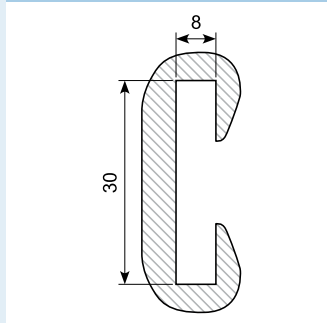
Material: PVC black  
Min. order: 500 m

34.607 \*



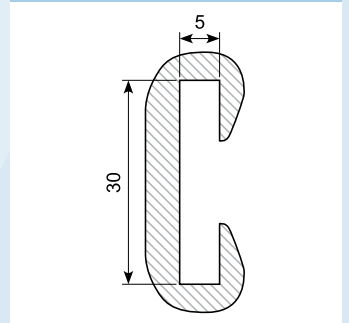
Material: PVC black  
Min. order: 100 m

34.606X \*



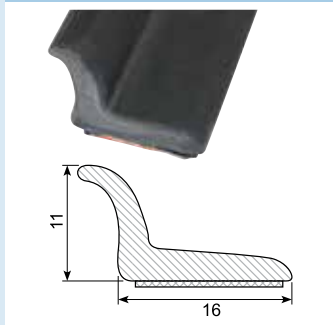
Material: PVC black  
Min. order: 500 m

34.607X \*



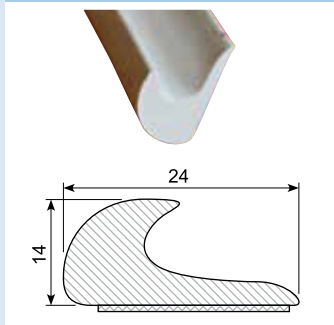
Material: PVC black  
Min. order: 500 m

**45.206AL**



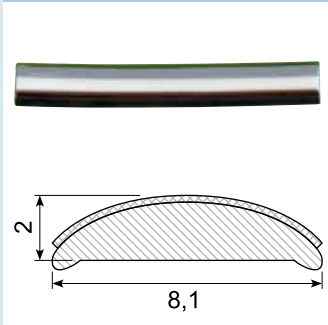
Material: PVC gutter with adhesive  
Length: 2 m

**45.224**



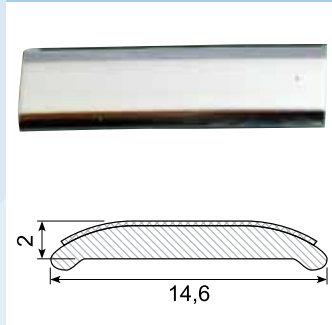
Material: White PVC gutter with adhesive  
Length: 25 m

**45.217C \***



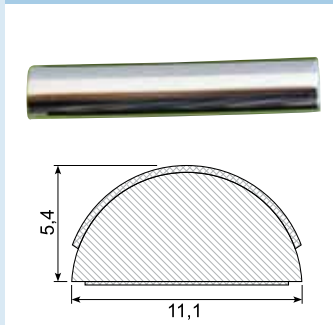
Material: Chrome PVC with adhesive  
Length: 5 m

**45.221C \***



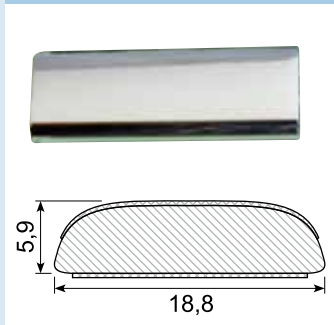
Material: Chrome PVC with adhesive  
Length: 5 m

**45.347C \***



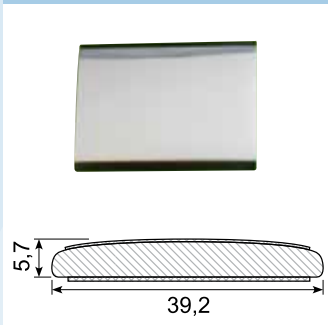
Material: Chrome PVC with adhesive  
Length: 5 m

**45.884C \***



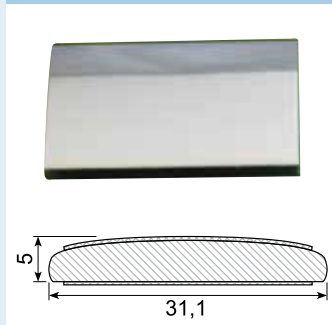
Material: Chrome PVC with adhesive  
Length: 5 m

**45.383C \***



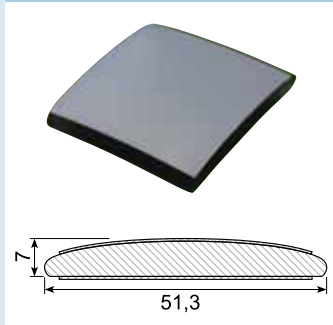
Material: Chrome PVC with adhesive  
Length: 5 m

**45.388C \***



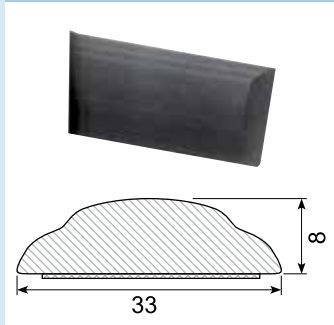
Material: Chrome PVC with adhesive  
Length: 5 m

**45.705C \***



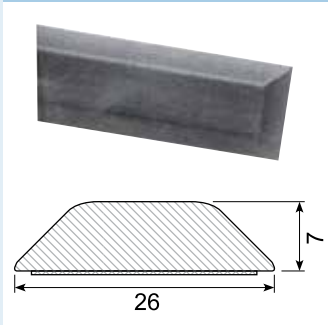
Material: Chrome PVC with adhesive  
Length: 5 m

**45.832**



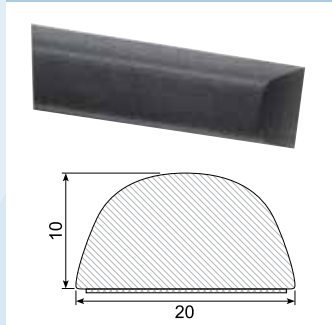
Material: PVC with adhesive  
Length: 25 m

**45.836**



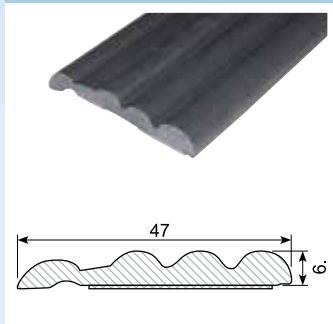
Material: PVC with adhesive  
Length: 25 m

**45.837**



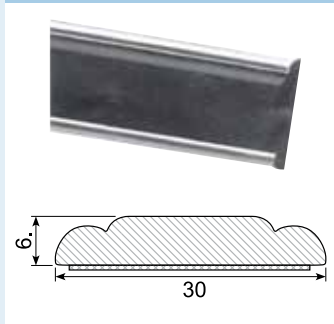
Material: PVC with adhesive  
Length: 25 m  
Hardness: SH 74 - 76  
Density: 1,32

**45.839 \***



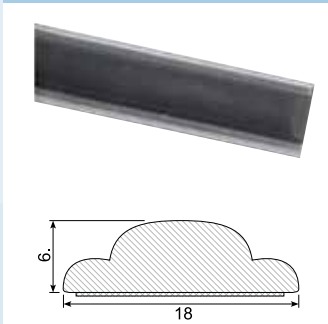
Material: PVC with adhesive  
Length: 25 m  
Min. order: 300 m

**45.872**



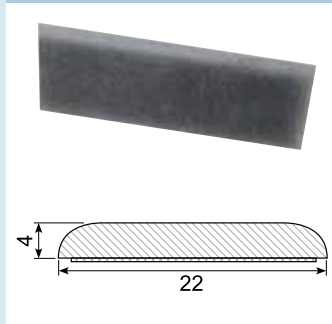
Material: PVC with adhesive  
Length: 25 m

**45.874**



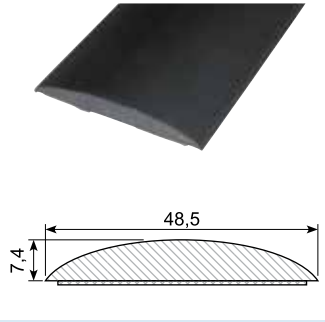
Material: PVC with adhesive  
Length: 25 m

**45.882**



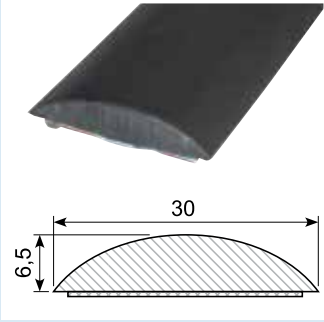
Material: PVC with adhesive  
Length: 50 m

45.886 / 45.886G



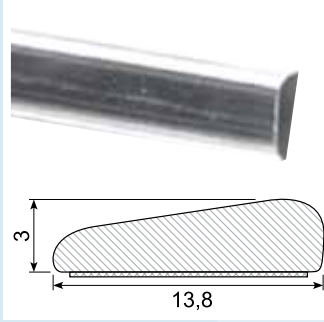
Material: Black PVC with adhesive  
 Length: 25 m  
 45.886G: Grey

45.894 \*



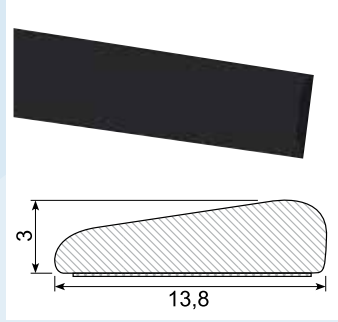
Material: PVC with adhesive  
 Length: 25 m  
 Min. order: 300 m

45.980A \*



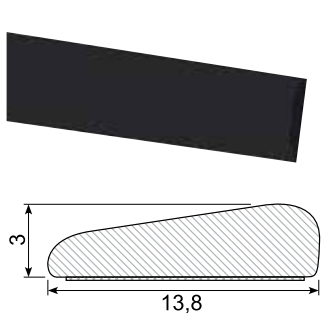
Material: Chrome PVC with adhesive  
 Length: 25 m  
 Min. order: 500 m

45.980K \*



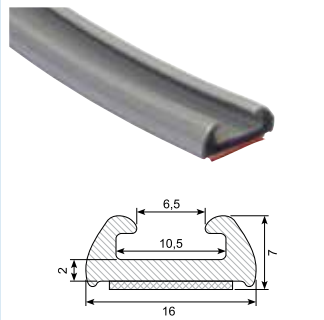
Material: PVC with adhesive  
 Length: 340 mm  
 Min. order: 1.400 pcs.  
 Example fix lengths

45.980S \*



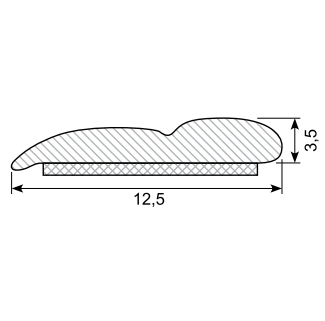
Length: 25 m  
 Min. order: 500 m

45.102G



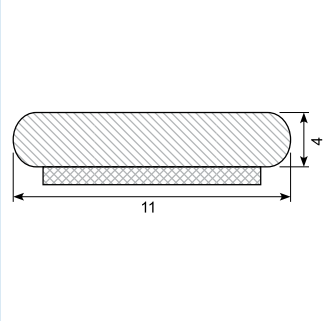
Length: 25 m

45.308C / 45.308C-50 \*



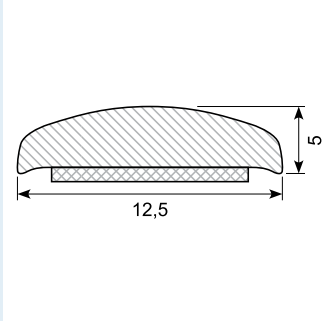
Material: Chrome PVC  
 Length: 5 m  
 45.308C-50 (50 m)  
 Min. order: 300 m

45.309C / 45.309C-50 \*

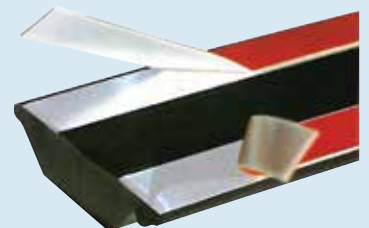
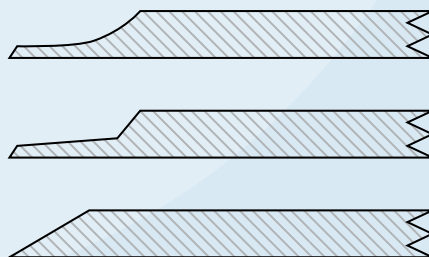


Material: Chrome PVC  
 Length: 5 m  
 45.309C-50 (50 m)  
 Min. order: 300 m

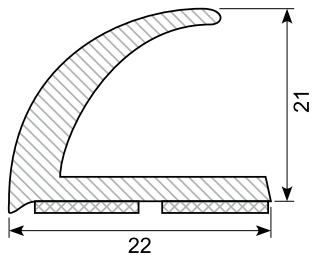
45.216C-50 \*



Material: Chrome PVC  
 Length: 50 m  
 Min. order: 300 m

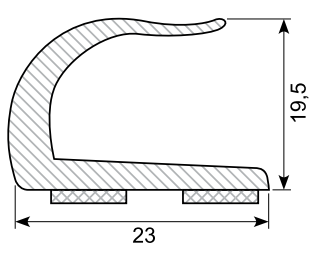


45.123 \*



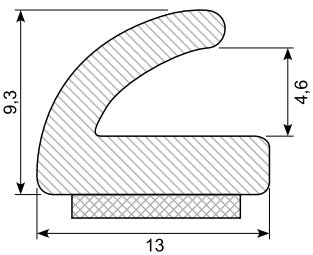
Material: PVC gutter with adhesive  
Length: 25 m  
Min. order: 300 m

45.393 \*



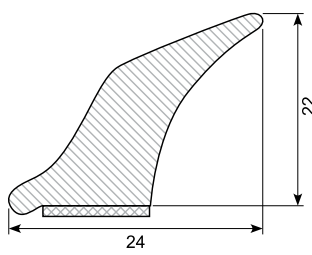
Material: PVC gutter with adhesive  
Length: 25 m  
Min. order: 300 m

45.394 \*



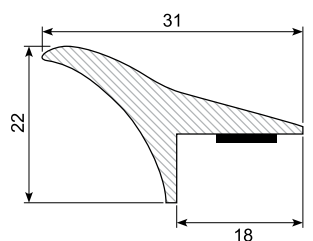
Material: PVC gutter with adhesive  
Length: 25 m  
Min. order: 300 m

45.901 \*



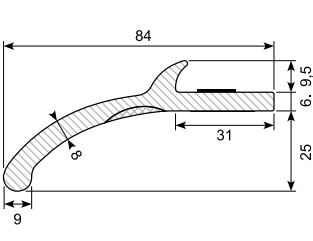
Material: PVC gutter with adhesive  
Length: 25 m  
Min. order: 300 m

45.2031024 \*



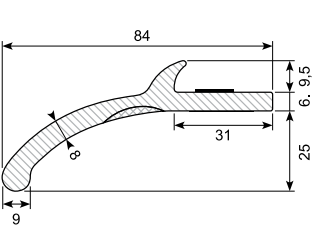
PVC universal wheel arch panel with adhesive. Set of 4 pcs.  
Length: 1,5 m

45.20511046 \*



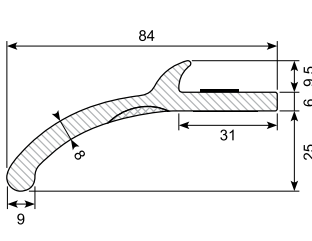
PVC universal wheel arch panel with adhesive. Coil.  
Color: Black  
Length: 6 m

45.20511091 \*



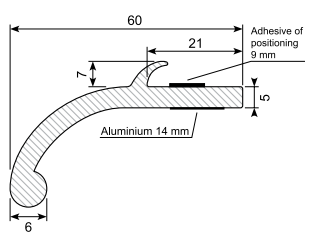
PVC universal wheel arch panel with adhesive. Set of 2 pcs.  
Length: 1,5 m

45.2051445 \*



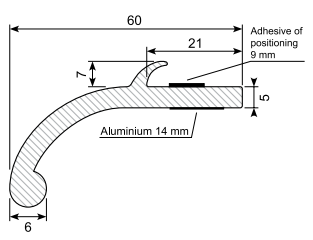
PVC universal wheel arch panel with adhesive. Coil.  
Length: 12,5 m

45.235N1057 \*



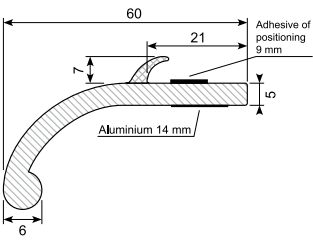
PVC universal wheel arch panel with adhesive. Coil.  
Color: Black  
Length: 6 m

45.235N429 \*



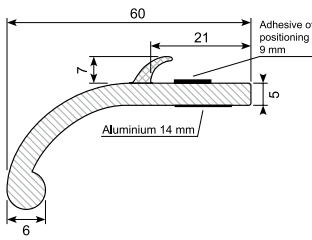
PVC universal wheel arch panel with adhesive. Coil.  
Color: Black  
Length: 12,5 m

45.235NG1057 \*



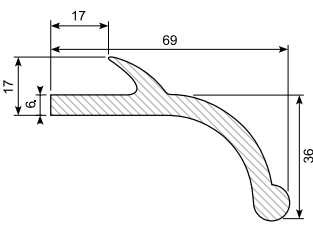
PVC universal wheel arch panel with adhesive. Coil.  
Color: Grey / black  
Length: 6 m

45.235NG429 \*



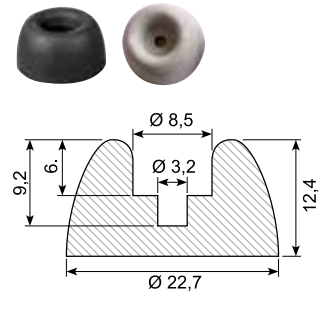
PVC universal wheel arch panel with adhesive. Coil.  
Color: Grey / black  
Length: 12,5 m

31.4281 \*\*



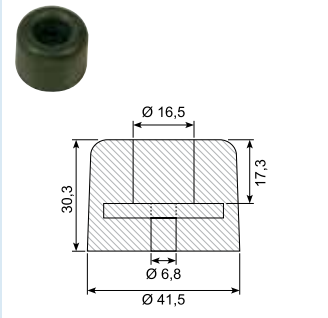
Material: EPDM black  
Hardness: SH 85  
Length: 2,6 m

39.171J / 39.171G



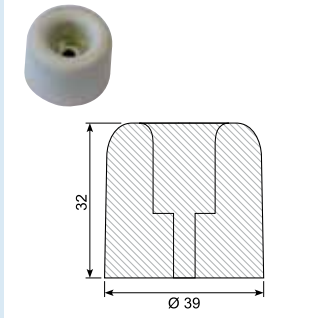
Material: Black  
39.171G: Light grey

39.175J



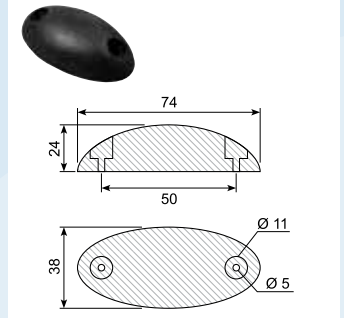
Material: Black NR  
Hardness: 78

39.175H \*



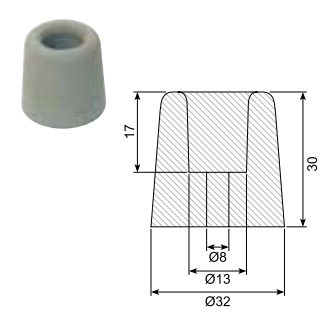
Min. order: 2.000 pcs.

39.632J



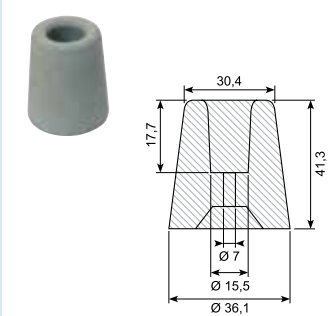
Material: Black

39.167G



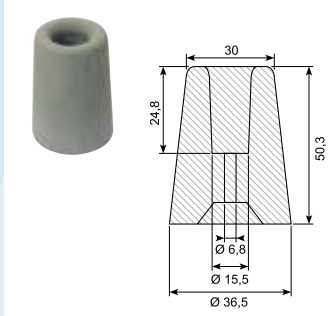
Grey rubber buffer

39.168G



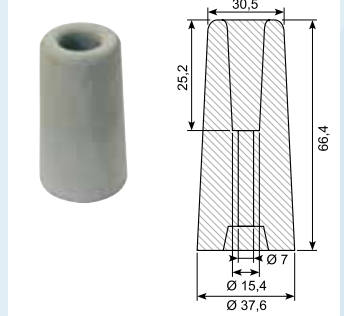
Grey rubber buffer

39.169G



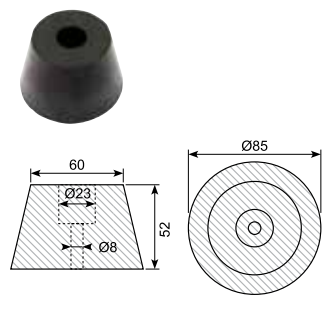
Grey rubber buffer

39.170G



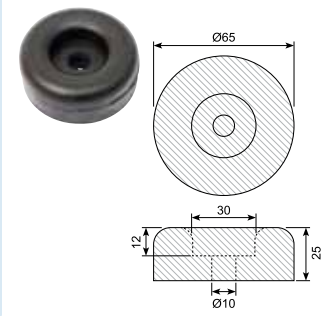
Grey rubber buffer

39.174



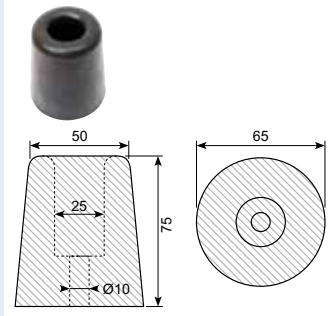
Material: Black NR / SBR

39.177



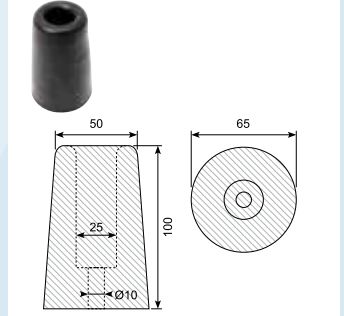
Material: Black NR / SBR

39.178



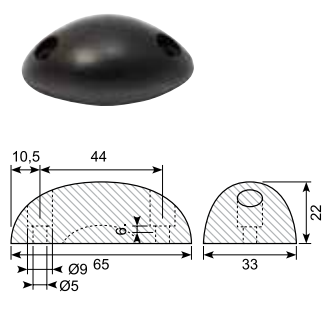
Material: Black NR / SBR

39.179



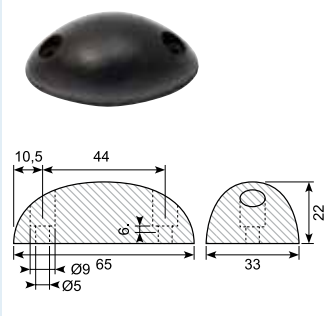
Material: Black NR / SBR

39.632A



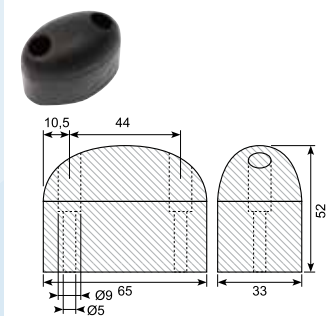
Material: Black NR / SBR

39.632B



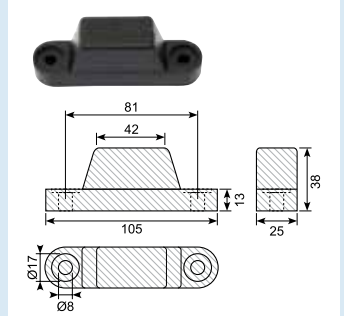
Material: Black NR / SBR

39.632C



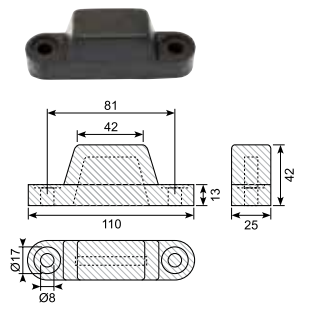
Material: Black NR / SBR

39.172



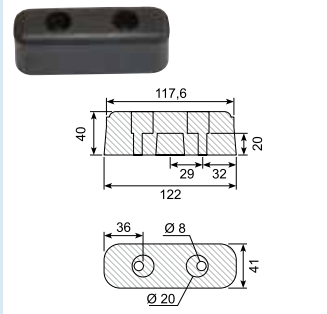
Material: Black NR / SBR

39.173



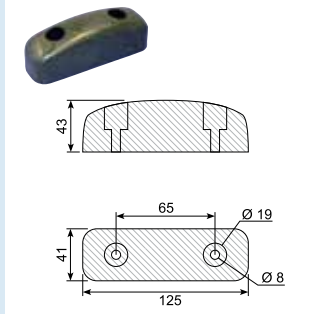
Material: Black NR / SBR

39.626J



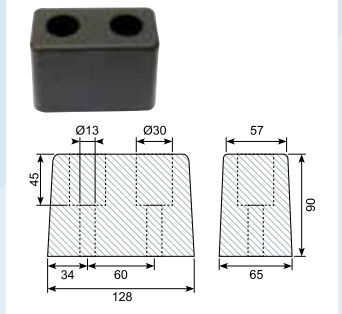
Material: Black NR  
Hardness: SH 85

39.637



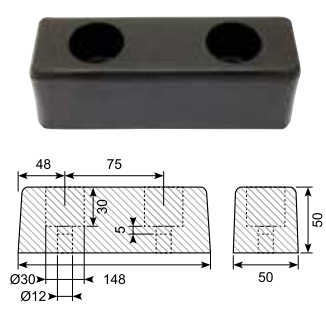
Vehicle bumper  
Material: Black NR / SBR

39.625



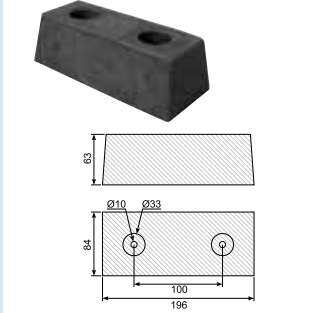
Material: NR / SBR

39.624



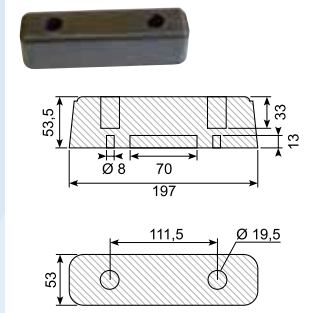
Material: Black NR / SBR

39.623J



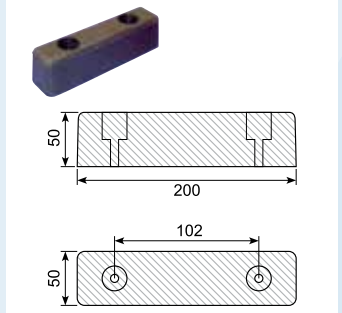
Rubber buffer, slightly conical  
Material: NR

39.620J



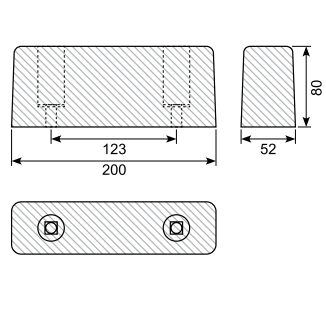
Rubber buffer with washers  
Material: Black NR  
Hardness: SH 85

39.638



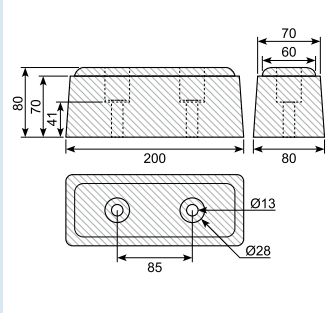
Vehicle bumper  
Material: Black NR / SBR

39.181061



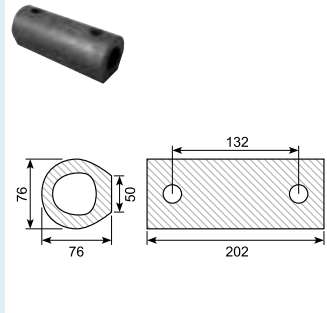
Material: NR/SBR

39.181052



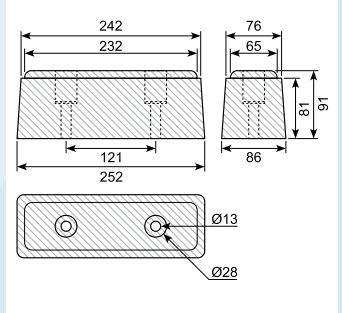
Material: NR/SBR

39.627



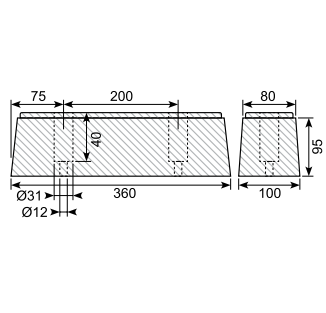
Material: SBR black

39.181060



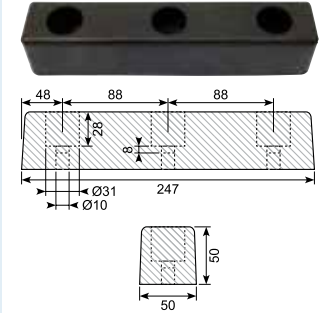
Material: NR/SBR

39.360



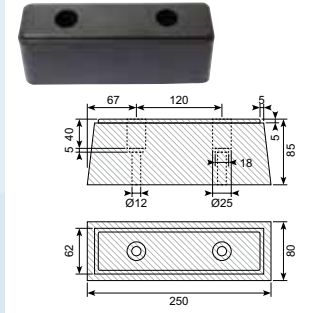
Material: Black NR / SBR

39.628



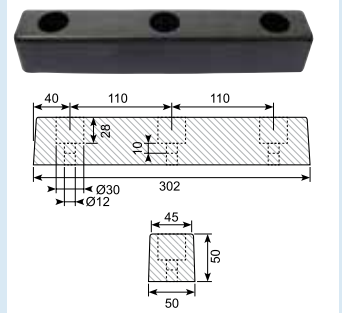
Material: NR/SBR

39.646



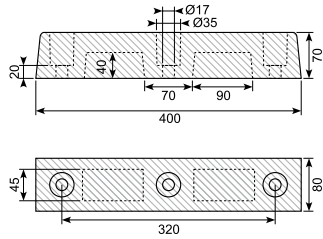
Material: Black NR / SBR  
Weight: 1.800 g

39.629



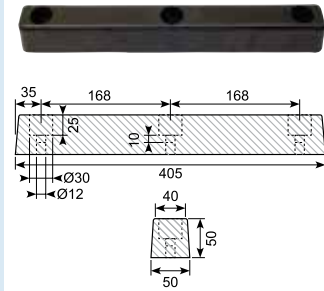
Material: Black NR / SBR

39.634



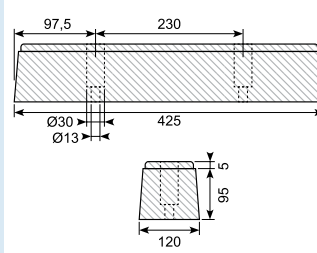
Buffer with steel washers and steel casing, 3 holes for 16 mm bolt.  
Material: EPDM black

39.630



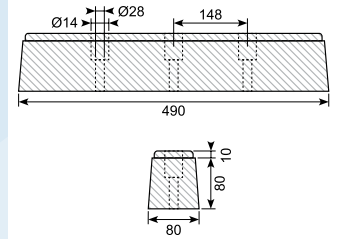
Material: Black NR / SBR

39.634P



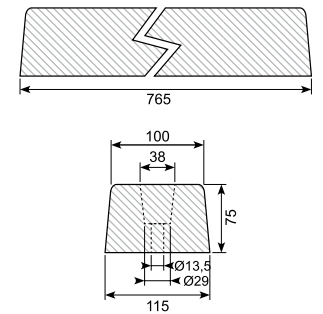
Material: Black NR / SBR

39.647 \*



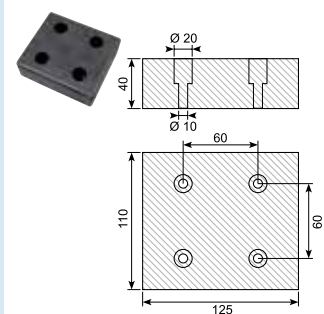
Material: Black NR / SBR

39.650 \*



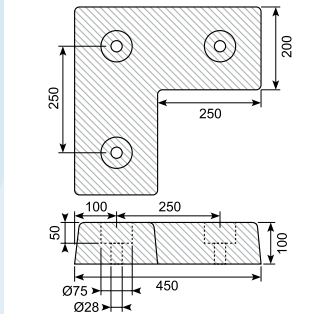
Material: Black NR / SBR

39.631X



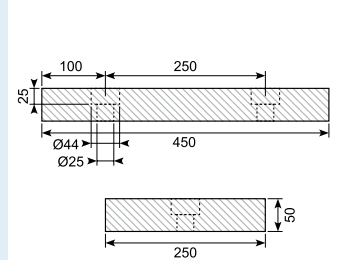
Material: SBR black  
Hardness: SH 75

39.651A



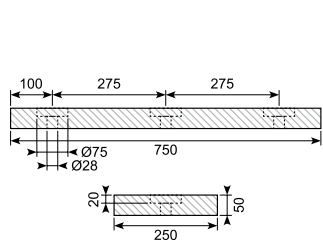
Material: NR / SBR  
39.651: SBR + rayon

39.652



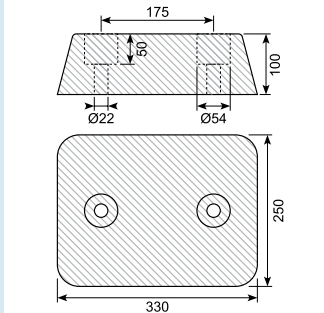
Material: Black NR / SBR

39.653



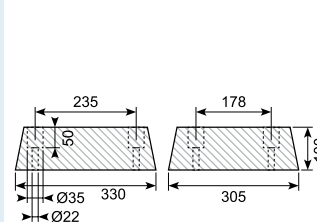
Material: Black NR / SBR

39.644



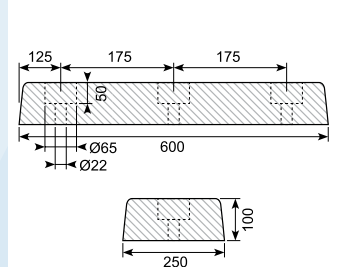
Material: SBR + rayon  
39.644A: NR/SBR \*

39.631A



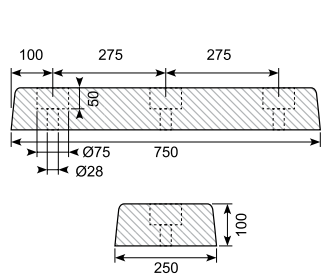
Material: NR / SBR

39.648



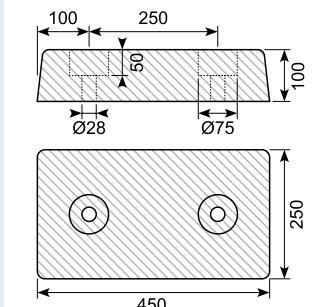
Material: Black NR / SBR

39.649



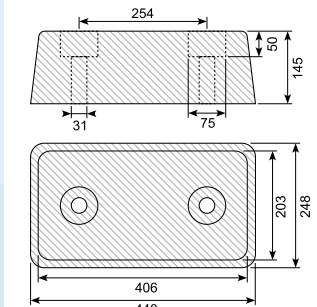
Material: Black NR / SBR

39.642X



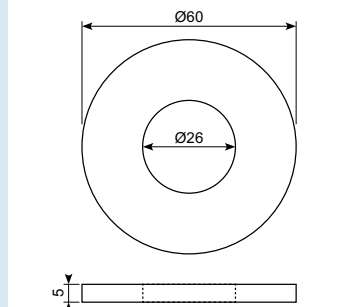
Material: NR / SBR (Economy)  
39.642 SBR + rayon \*

39.643X



Material: NR / SBR (Economy)

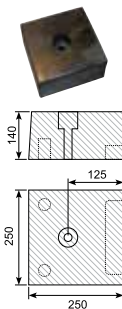
39.M24



M24 washer for rubber buffer

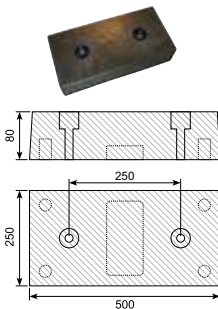
# Gummibuffer / Rubber buffer

39.636H



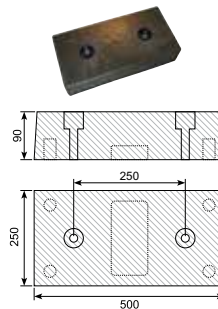
Buffer, vulcanized new rubber with vulcanized steel washer.

39.635X



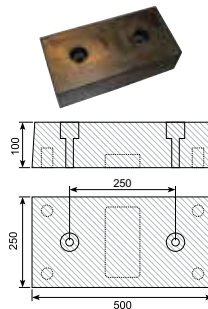
Buffer, vulcanized new rubber with vulcanized steel washers.

39.635



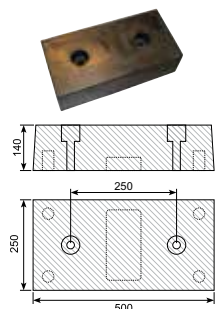
Buffer, vulcanized new rubber with vulcanized steel washers.

39.636X



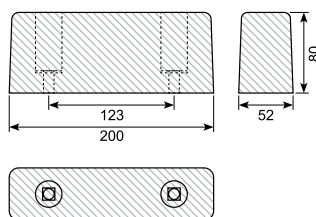
Buffer, vulcanized new rubber with vulcanized steel washers.

39.636



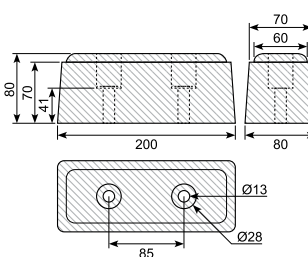
Buffer, vulcanized new rubber with vulcanized steel washers.

39.181061



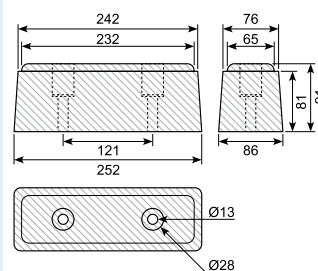
Weight: 1.050 g

39.181052



Weight: 1.370 g

39.181060



Weight: 1.370 g



Anslagsbuffere / tipper pads \*

Material: Steel / rubber

Art.	Size steel element (mm)	Size rubber element (mm)	Weight (kg)
39.658	150 x 40 x 5	100 x 40 x 25	0,34
39.656	152 x 88 x 6	100 x 86 x 22	0,75
39.657	355 x 75 x 3	290 x 74 x 27	1,35



Anslagsbuffere / tipper pads \*

Material: Aluminium / rubber

Art.	Size aluminium element (mm)	Size rubber element (mm)	Weight (kg)
39.659	152 x 88 x 5	100 x 86 x 23	0,41
39.661	180 x 75 x 5	115 x 75 x 29	0,41
39.660	152 x 88 x 5	100 x 88 x 38	0,6
39.662	180 x 75 x 5	150 x 75 x 40	0,6
39.663	180 x 75 x 4	115 x 75 x 46	0,6
39.664	190 x 115 x 6	120 x 112 x 14 - 20	0,6
39.665	355 x 75 x 5	290 x 75 x 39	1,4



39.180



Material: SBR black  
Hardness: SH 80  
Rubber pad Ø120 for lift stabilizers. Internal Ø108 mm. Height 26 mm.

39.181 \*



Material: SBR black  
Hardness: SH 75  
Rubber pad Ø120 for lift stabilizers. Internal Ø108 mm. Height 26 mm.

39.182 \*



Material: SBR black  
Hardness: SH 75  
Rubber pad Ø145 for lift stabilizers. Internal Ø120 mm. Height 24 mm.

39.183



Material: TPE black  
Hardness: SH 80  
Rubber pad Ø145 for lift stabilizers. Internal height 26 mm.

39.188 \*



Rubber pad for lift stabilizers  
Material: Black SBR  
Hardness: SH 75  
Size: Ø 160 x H 28 mm  
Internal Ø 135 mm

39.183A \*



Rubber pad for lift stabilizers  
Material: Black SBR  
Hardness: SH 80  
Size: Ø 100 x H 21 mm  
Internal Ø 80 mm

39.183B \*



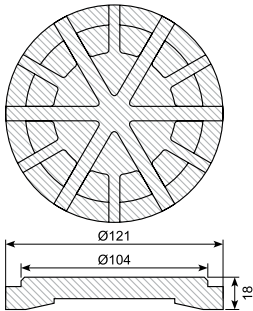
Rubber pad for lift stabilizers  
Material: Black SBR  
Hardness: SH 80  
Size: Ø 140 x H 25 mm  
Internal Ø 103 mm

39.183C \*



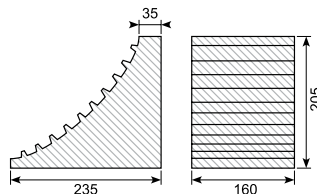
Rubber pad for lift stabilizers  
Material: Black  
Hardness: SH 80  
Size: Ø 140 x H 25 mm  
Internal Ø 74 / 60 mm

30.9906



Hardness: SH 80

52.CWC8



Chocks

39.184



Rubber pad for lift stabilizers  
Material: SBR black  
Hardness: SH 75  
160 x 120 x 20 mm

39.186



Rubber pad for lift stabilizers  
Material: SBR black  
Hardness: SH 75  
160 x 120 x 120 mm

39.187



Rubber pad for lift stabilizers  
Material: SBR black  
Hardness: SH 75  
180 x 60 x 100 mm

39.185



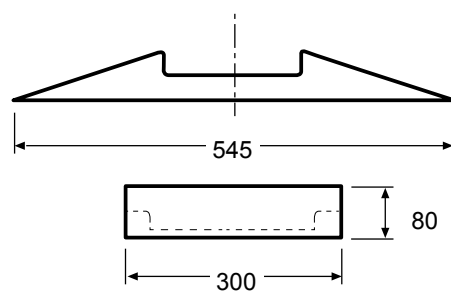
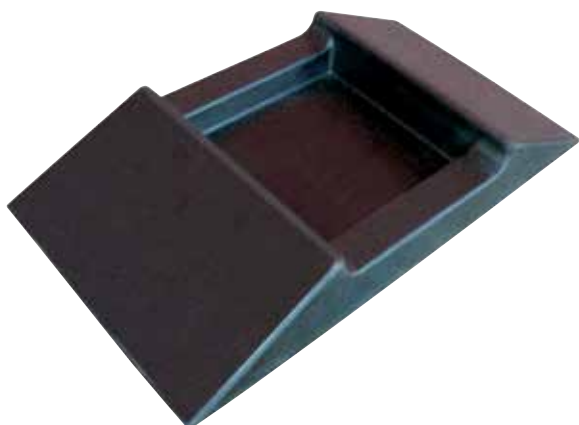
Rubber pad for lift stabilizers  
Material: SBR black  
Hardness: SH 75  
160 x 120 x 35 mm

# Gummibuffer / Rubber buffer

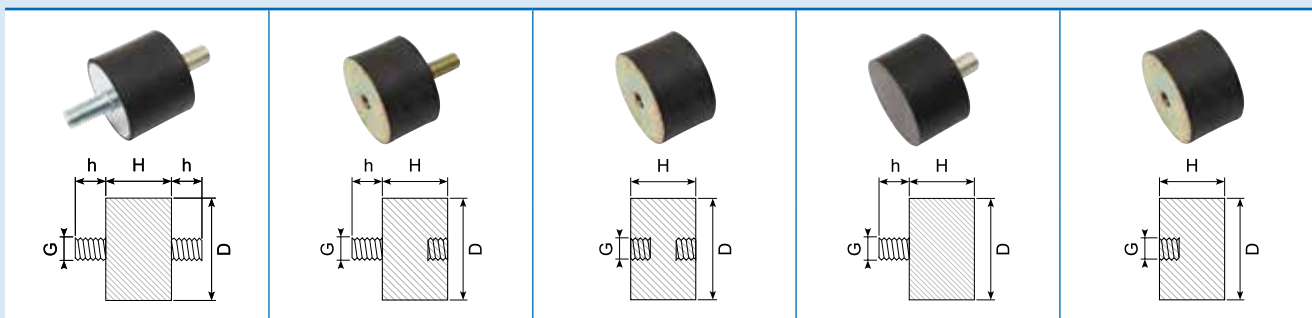
Art.	Image	Measure
30.13186-1		6,7
30.13186-2		8
30.13186-3		10,5
30.13186-4		10,8
30.13186-5 *		16
30.13186-6 *		21
30.13186-7 *		24,5
30.13186-8 *		31,3

Material: Grey PVC

## 39.645



\* Skaffevare / Special order item



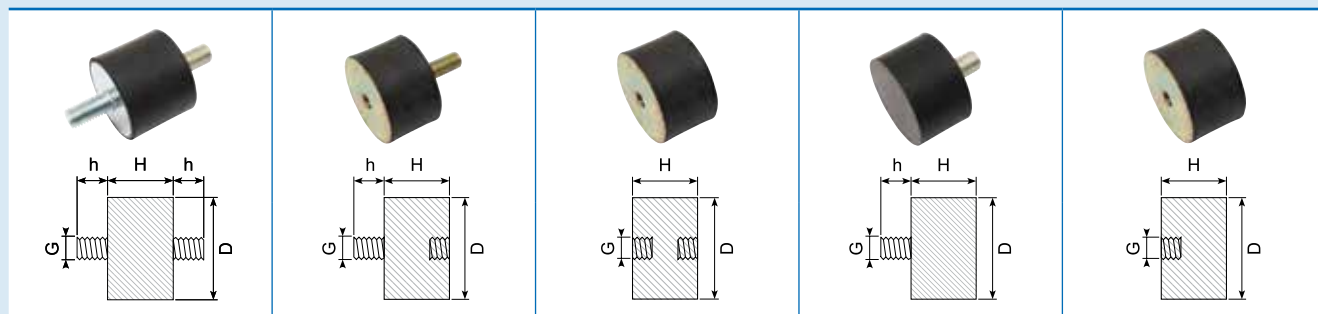
D	H	Type M (1)	Type B (2)	Type C (3)	Type D (4)	Type E (5)
6	7					
8	5					
8	8					
8	10					
9	12					
10	8					
10	10				39.D10/10	
10	15					
10	17					
10	18					
10	30					
11	11					
12	10					
13	26					
15	4					
15	5					
15	6					
15	7					
15	8					
15	9					
15	10				39.D15/10 (M5x15) 39.D15/10-M6 (M6x18)	
15	12					
15	13					
15	15				39.D15/15 (M5x15) 39.D15/15-M6 (M6x15)	
15	20					
15	25					
15	30					
16	18		39.B16/18			
18	10	39.M1810				
20	5					
20	8					
20	10	39.M20/10-M6 (M6x18) 39.M20/10 (M8x18)	39.B20/10-M6 (M6x18) 39.B20/10 (M8x18)	39.C20/10 (M4)		39.E20/10-M6 (M6) 39.E20/10 (M8)
20	11					
20	12					
20	13					
20	15	39.M2015	39.B20/15 (M8x18)		39.D20/15E	
20	17					
20	20	39.M2020 39.M2020-M8	39.B2020	39.C20/20	39.D20/20 (M5x15) 39.D20/20-M6 (M6x18)	
20	23					
20	25					
20	30					
25	8					
25	10			39.C25/10 (M4)		39.E25/10-M6 (M6) 39.E25/10 (M8)
25	12					
25	13		39.B2513			
25	14					

G	h
M6	6, 8, 10, 12, 15, 18, 20, 23, 28
M8	8, 10, 12, 15, 18, 20, 23, 25, 28, 33

G	h
M10	10, 12, 15, 18, 20, 23, 25, 28, 33, 38, 43
M12	10, 12, 18, 20, 23, 25, 27, 33, 37, 42

Fåes i tre hårdheder: Shore 43, 55 og 68.  
Også mulighed for rustfri gevind.  
Available in three hardnesses: SH 43, 55 and 68.  
Also option for stainless threads.

# Vibrationsdæmpere / Vibration muffler

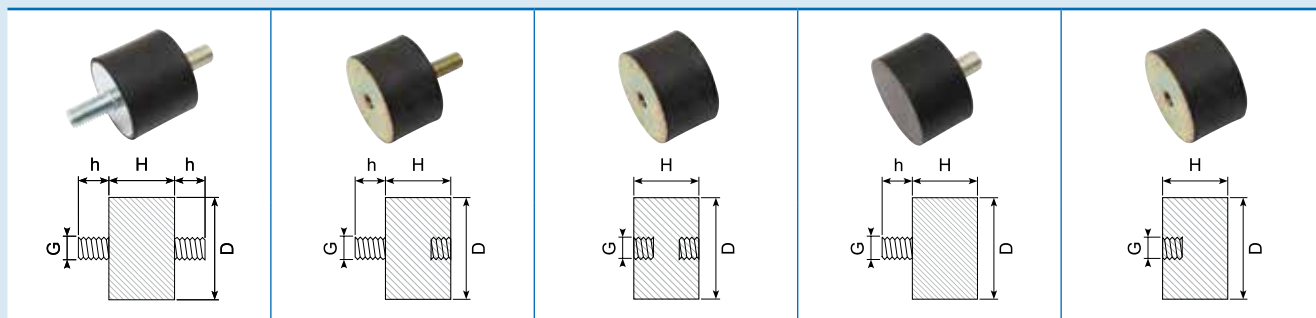


D	H	Type M (1)	Type B (2)	Type C (3)	Type D (4)	Type E (5)
25	15	39.M2515		39.C25/15		
25	17					
25	18					
25	19					
25	20	39.M2520 39.M2520-M6				
25	22					
25	25		39.B25/25 (M8x18) 39.B25/25-M6 (M6x18)	39.C25/25-M6		
25	27					
25	28					
25	30					
26	22					
30	8					
30	10	39.M30/10 (M8x23)			39.D30/10 39.D30/10-M6 (M6x18)	
30	12					
30	13					
30	15	39.M3015-M8x12 39.M3015-M8x15			39.D30/15 39.D30/15-M6 (M6x18)	39.E30/15-M6 (M6) 39.E30/15 (M8)
30	17					
30	18					
30	20	39.M3020 39.M3020-55	39.B30/20 39.B30/20X	39.C30/20 (M8)	39.D30/20 39.D30/20-M6	39.E30/20-M6 (M6) 39.E30/20 (M8)
30	22					
30	25					
30	30	39.M3030 39.M3030-SS	39.B30/30 39.B30/30-M6	39.C30/30	39.D30/30 39.D30/30-M6 (M6x18)	39.E30/30-M6 (M6) 39.E30/30 (M8)
30	35					39.E30/35
30	40					
30	45					
40	10					
40	15				39.D40/15 39.D40/15-M6 (M6x18)	39.E40/15-SH43
40	20	39.M40/20 (M8x23)	39.B40/20 (M8x23)		39.D40/20 (M8x18) 39.D40/20-M6 (M6x18) 39.D40/20-M10 (M10x20) 39.D40/20-A2	39.E40/20-M6 (M6) 39.E40/20 (M8)
40	25	39.4025		39.C40/25 (M8)	39.D40/25-A2	
40	27					
40	28					
40	30	39.M4030	39.B40/30 (M8x23)	39.C40/30	39.D40/30-A2 39.D40/30 39.D40/30-M8 (M8x18)	39.E40/30 (M8)
40	35		39.B40/35 (M8x23)		39.D40/35-A2 39.D40/35 (M10x20)	
40	38	39.M4038		39.C40/40 (M8)		
40	40	39.M40/40 (M10x28)		39.C40/40-M10 (M10)	39.D40/40-A2 39.D40/40 (M10x20)	
40	45				39.D40/45-A2	
40	60					

G	h
M6	6, 8, 10, 12, 15, 18, 20, 23, 28
M8	8, 10, 12, 15, 18, 20, 23, 25, 28, 33

G	h
M10	10, 12, 15, 18, 20, 23, 25, 28, 33, 38, 43
M12	10, 12, 18, 20, 23, 25, 27, 33, 37, 42

Fåes i tre hårdheder: Shore 43, 55 og 68.  
Også mulighed for rustfri gevind.  
Available in three hardnesses: SH 43, 55 and 68.  
Also option for stainless threads.



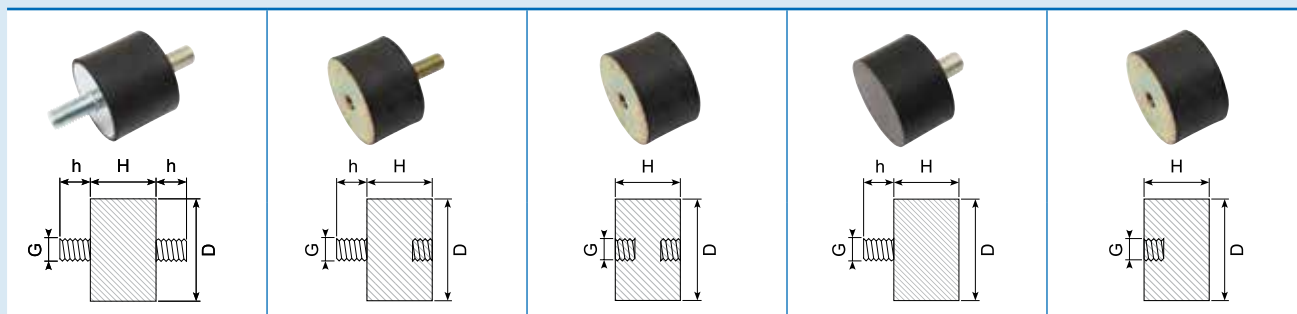
D	H	Type M (1)	Type B (2)	Type C (3)	Type D (4)	Type E (5)
50	7					
50	9					
50	12					
50	15					
50	17					
50	20			39.C50/20 (M10)	39.D50/20 39.D50/20-M12 (M12x23)	39.E50/20 (M8) 39.E50/20-M10 (M10) 39.E50/20-M12 (M12)
50	21		39.B50/21			
50	25	39.M5025		39.C50/25 (M10)	39.D50/25 (M10x20) 39.D50/25-M12 (M12x23)	39.E50/25 (M10) 39.E50/25-M12 (M12)
50	27					
50	28					
50	30	39.M5030	39.B50/30	39.C50/30 39.C50/30-M8 39.C50/30-68 39.C50/35	39.D50/30 39.D50/30-M10 (M10x20)	
50	35					
50	37					
50	40	39.M5040		39.C50/40-M12 39.C50/40		39.E50/40 (M10) 39.E50/40-M12 (M12)
50	42					
50	45	39.M5045		39.C50/45		
50	50	39.M5050	39.B50/50			
50	80		39.B50/50-M10 (M10x28)			
60	15					
60	16					
60	20					
60	25					
60	30		39.B60/30 (M12x25)	39.C60/30-M8 (M8) 39.C60/30 (M10)	39.D60/30 (M10x28) 39.D60/30-M12 (M12x23)	39.E60/30 (M10)
60	35	39.M6035				39.E60/30-M12 (M12)
60	40		39.B60/40	39.C60/40 39.C60/40-M10 SH 43 39.C60/40-M12 SH 43	39.D60/40 (M10x28) 39.D60/40.M12 (M12x23)	39.E60/40 (M10) 39.E60/40-M12 (M12)
60	45					
60	50	39.M6050			39.D6050	
60	60					
65	35			39.C65/35 39.C65/35.M10 (M10)	39.D65/35	
70	20					
70	25					
70	30					
70	35					39.E70/35 (M12)
70	40				39.D70/40 (M10x28) 39.D70/40-M12 (M12x27)	
70	45					
70	50					39.E70/50 (M12)
70	53					
70	55					
70	60					
70	70				39.D70/70	

G	h
M6	6, 8, 10, 12, 15, 18, 20, 23, 28
M8	8, 10, 12, 15, 18, 20, 23, 25, 28, 33

G	h
M10	10, 12, 15, 18, 20, 23, 25, 28, 33, 38, 43
M12	10, 12, 18, 20, 23, 25, 27, 33, 37, 42

Fåes i tre hårdheder: Shore 43, 55 og 68.  
Også mulighed for rustfri gevind.  
Available in three hardnesses: SH 43, 55 and 68.  
Also option for stainless threads.

# Vibrationsdæmpere / Vibration muffler



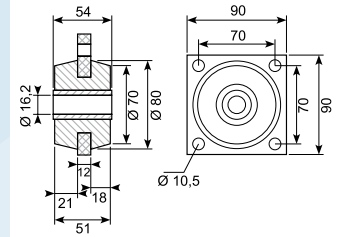
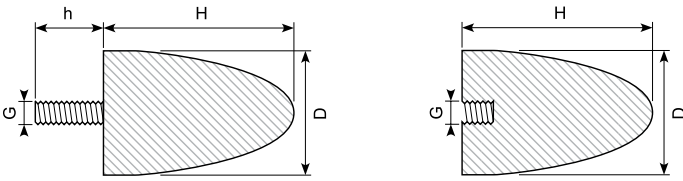
D	H	Type M (1)	Type B (2)	Type C (3)	Type D (4)	Type E (5)
75	20					
75	25					
75	30		39.B75/30 (M12x25)	39.C75/30 (M12) 39.C75/30-M10 (M10)	39.D75/30	39.E75/30 (M10) 39.E75/30-M12 (M12)
75	35					
75	40	39.M7540	39.B75/40 (M12x25)			
75	45			39.C70/45-M10		
75	50	39.M7550	39.B75/50 (M12x25)		39.D75/50-M10 (M10x28)	39.E75/50 (M10) 39.E75/50-M12 (M12)
75	55			39.C75/55 39.C75/55-43 39.C75/55-M10 (M10)		
75	60	39.M7560				
75	70					
75	100			39.C75/100 39.C75/100-M16		
80	17					
80	18					
80	30					
80	40					
80	50	39.M8050				39.E80/50 (M12) 39.E80/50-M16 (M16)
80	55					
80	60					
80	65					
80	70					
80	75					
80	80					
90	60					
100	25					39.E100/25 (M16)
100	30		39.B100/30 (M16x46)		39.D100/30 (M16x41)	39.E100/30 (M16)
100	35					
100	40		39.B100/40 (M16x46)	39.C100/40		39.E100/40 (M16)
100	45					
100	50		39.B100/50 (M16x46)	39.C100/50 (M16)	39.D100/50 (M16x41)	39.E100/50 (M16)
100	55					
100	60					
100	65					
100	70					
100	75		39.B100/75 SH 43	39.C100/75 (M16)	39.D100/75 (M16x41)	39.E100/75 (M16)
100	80					
100	100					
150	40			39.C150/40		
150	50			39.C150/50	39.D150/50 (M16x41)	39.E150/50 (M16) 39.E150/50-M20 (M20)
150	55					
150	60					
150	75			39.C150/75 (M16)		39.E150/75 (M16) 39.E150/75-M20 (M20)
200	100			39.C200/100 (M20)	39.D200/100 (M20x41)	39.E200/100 (M20)

G	h
M6	6, 8, 10, 12, 15, 18, 20, 23, 28
M8	8, 10, 12, 15, 18, 20, 23, 25, 28, 33

G	h
M10	10, 12, 15, 18, 20, 23, 25, 28, 33, 38, 43
M12	10, 12, 18, 20, 23, 25, 27, 33, 37, 42

Fåes i tre hårdheder: Shore 43, 55 og 68.  
Også mulighed for rustfri gevind.  
Available in three hardnesses: SH 43, 55 and 68.  
Also option for stainless threads.

## 39.103195



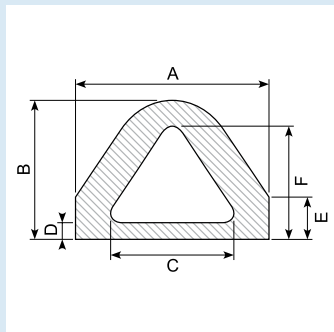
Material: NBR  
Hardness: SH 55

KP-D-no.	KP-E-no.	D/H	D	H	G	h
39.KP-D10/10	39.KP-E10/10	10/10	10	10	M5	12
39.KP-D15/22	39.KP-E15/22	15/22	15	22	M6	18
39.KP-D20/15	39.KP-E20/15	20/15	20	15	M6	10
39.AV2024	39.KP-E20/24	20/24	20	24	M6	18
39.KP-D25/16	39.KP-E25/16	25/16	25	16	M6	18
39.KD25/17		25/17	25	17	M6	8
39.KP-D25/20	39.KP-E25/20	25/20	25	20	M6	18
39.KP-D30/30	39.KP-E30/30	30/30	30	30	M8	20
39.KP-D30/36	39.KP-E30/36	30/36	30	36	M8	20
39.AV30		30/40	30	40	M8	23
	39.KP-E35/40	35/40	35	40	M8	23
39.KD50/18		50/18	50	18	M10	18
39.KD50/50	39.KP-E50/50	50/50	50	50	M10	28
39.AV50		50/55	50	55	M10	27
39.KP-D50/58		50/58	50	58	M10	28
39.KP-D50/61	39.KP-E50/61	50/61	50	61	M8	28
39.KP-D50/67	39.KP-E50/67	50/67	50	67	M8	33
39.AV5068	39.KP-E50/68	50/68	50	68	M10	38
39.KP-D60/40	39.KP-E60/40	60/40	60	40	M10	28
39.KP-D70/58	39.KP-E70/58	70/58	70	58	M12	32
39.KP-D70/60	39.KP-E70/60	70/60	70	60	M12	37
39.KP-D75/89	39.KP-E75/89	75/89	75	89	M12	37
39.AV9580	39.KP-E95/80	95/80	95	80	M16	41
39.KP-D115/136	39.KP-E115/136	115/136	115	136	M16	41
39.KP-D118/77	39.KP-E118/77	118/77	118	77	M16	41

### Skaffevare / Special order item

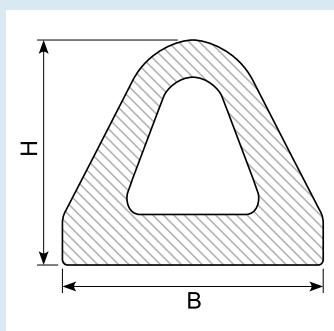


# Fendere / Fenders



Material: Black EPDM  
 Hardness: SH 70  
 Fenders for harbours, loading ramps w. m.

Art.	A	B	C	D	E	F	Kg/m
39.3872	40	25	28	5	10	20	0,57
39.3873 *	55	40	38	8	15	32	1,39
39.3875 *	60	50	40	10	20	42	1,75
39.4087 *	60	52	30	11	11	43	2
39.3876	80	65	50	12	25	39	3,2
39.3887 *	80	70	40	15	0	68	3,5
39.4333 *	80	70	54	15	16	59	4
39.2486 *	82	67	42	15	15	57	3,5
39.4156 *	109	117	50	42	50	95	10,5
39.3846 *	110	95	50	22	18	76	6,1
39.3874 *	110	95	70	15	30	80	5,79
39.4399 *	110	130	70	20	45	110	7,8
39.3010 *	120	110	70	14	35	95	7,39
39.3868 *	150	130	100	20	40	110	10,82
39.4178 *	150	160	105	50	60	130	16,3
39.3722 *	160	138	92	33	0	105	15,83
39.3240 *	170	130	110	15	45	110	10,5



Material: Black EPDM  
 Hardness: SH 70  
 Fenders for vans harbours, loading ramps etc.

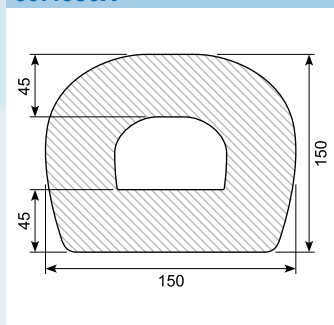
Art.	B	H	L	Kg/m
39.674	40	22	20 m	0,715
39.678	60	50	10 m	2,1
39.678X *	50	60	20 m	2,1
39.680X	84	70	20 m	3,7
39.684X	110	95	10 m	7,076
39.684XS *				
39.685 *	120	120	3 m	11,204

Soft. SH 45. Min. order: 40 m

Material: White

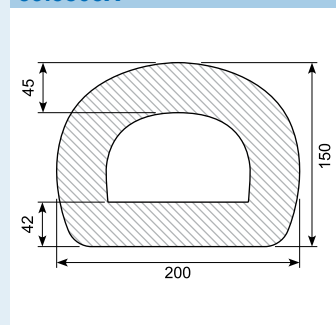
Art.	B	H	L	Min. order
39.680H *				100 m
39.680H-1180	84	70	1.180 mm	

## 39.4380X



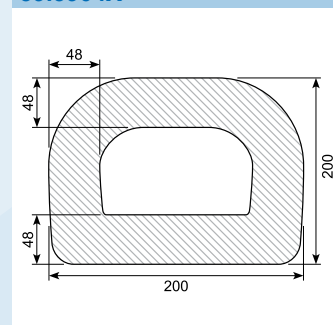
Material: NR / SBR  
 Length: 2 m

## 39.3803X



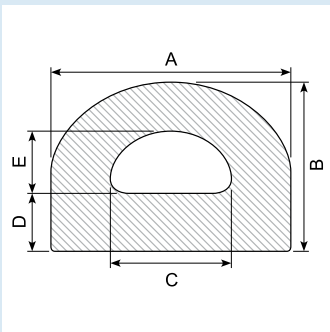
Material: NR / SBR  
 Length: 2 m

## 39.3904X



Material: NR / SBR  
 Length: 2 m

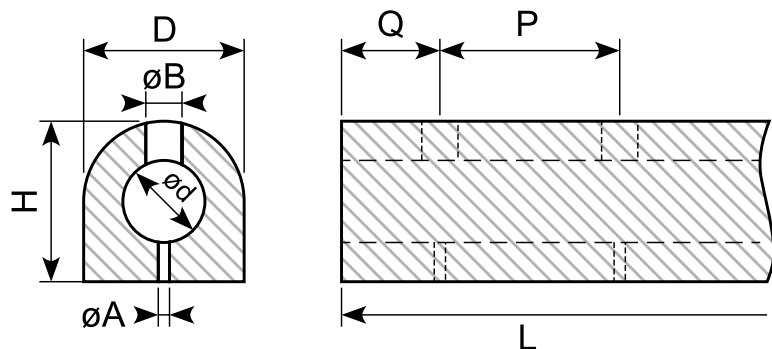




Material: Black EPDM  
 Hardness: SH 70  
 Fenders for harbours, loading ramps w. m.

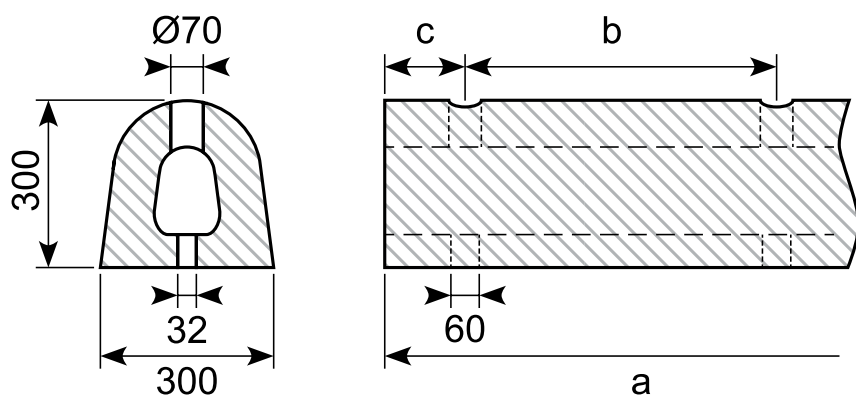
Art.	A	B	C	D	E	Kg/m
39.3581	30	25	11	7,5	11	0,67
39.36412 *	40	75	23	32	23	3,76
39.2776 *	51	45	20	10	20	2,08
39.3428 *	65	70	35	18	28	2,99
39.3029 *	80	80	40	25	35	5,54
39.3700 *	80	78	56	12	54	3,55
39.3925 *	80	80	40	23	40	5,59
39.4229 *	80	70	46	25	20	4,57
39.4110 *	95	100	38	30	45	5,4
39.3051 *	100	80	50	25	30	7,05
39.3802	100	80	80	12	56	3,68
39.3923 *	100	95	44	29	40	8,1
39.3952 *	100	95	60	20	50	6,99
39.4251 *	100	60	50	20	20	5,81
39.4403 *	100	95	60	28	42	6,27
39.4310 *	107	67	40	22	20	6,4
39.3726 *	110	110	50	30	25	12,14
39.3878 *	120	70	30	20	30	6,41
39.93 *	120	120	70	44	51	11,84
39.4381 *	125	100	65	33	37	10,87
39.69 *	130	150	50	50	50	21,05
39.4257 *	130	145	40	55	40	17,24
39.3813 *	140	125	85	35	55	14,75
39.3815 *	140	80	60	20	36	10,27
39.3381 *	150	150	85	30	85	18,81
39.4129 *	150	130	50	55	50	20
39.4224 *	150	150	92	29	92	14,7
39.4244 *	150	180	45	87	40	27,8
39.4380	150	150	80	40	75	18,22
39.3366 *	160	125	90	25	65	15,82
39.4311 *	160	175	68	79	68	17,1
39.57 *	200	165	40,5	80	40,5	31,44
39.3023 *	190	195	21	89	21	40,57
39.4012 *	190	195	55	89	55	37,7
39.3803 *	200	150	148	14	113	11,81
39.4249 *	200	220	75	82	75	42,39
39.4250 *	200	220	100	38	80	39,38
39.4269 *	200	220	75	82	75	36,85
39.3849 *	240	260	110	90	110	54,54
39.3879 *	250	290	120	60	110	48,96
39.56 *	250	200	136	50	100	39,84
39.4054 *	280	190	180	50	90	38,5
39.79 *	300	254	150	75	104	68,25
39.55 *	350	350	220	80	165	97,68

## D-fender



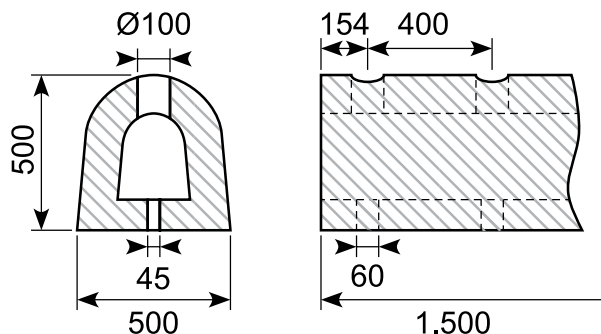
Art.	H	D	A	B	d	Q	P	L
39.200200 *	200	200	25	60	100	150	300	1.500
39.300300 *	300	300	29	65	150	150	300	1.500

## D-fender

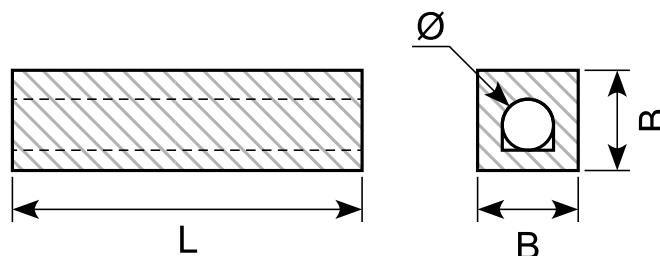


Art.	Size	a (mm)	b (mm)	c (mm)	Mounting holes	Weight
*	D300HX900L-2h	900	600	150	2	62
*	D300HX1000L-2h	1.000	600	250	2	69
*	D300HX1500L-3h	1.500	600	150	3	103
39.300300A *	D300HX1500L-5h	1.500	320	110	5	103
*	D300HX1500-5h-S	1.500	320	110	5	98
*	D300HX2000-4h	2.000	500	250	4	210

## 39.500500A \*



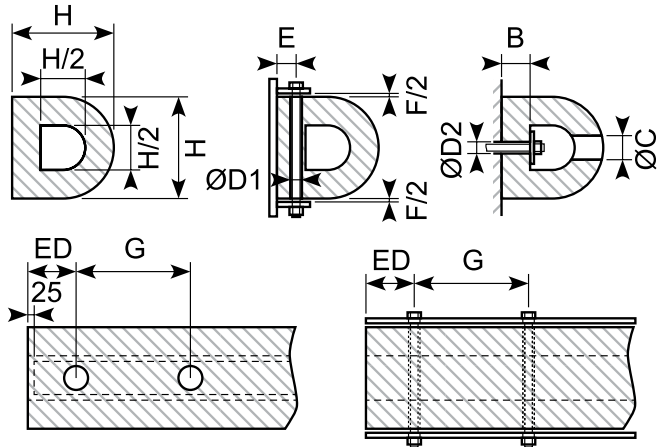
## D-fender



Art.	B (mm)	Ø (mm)
*	150	75
*	200	100
*	250	125
39.300300FK *	300	150
*	400	200
*	500	250

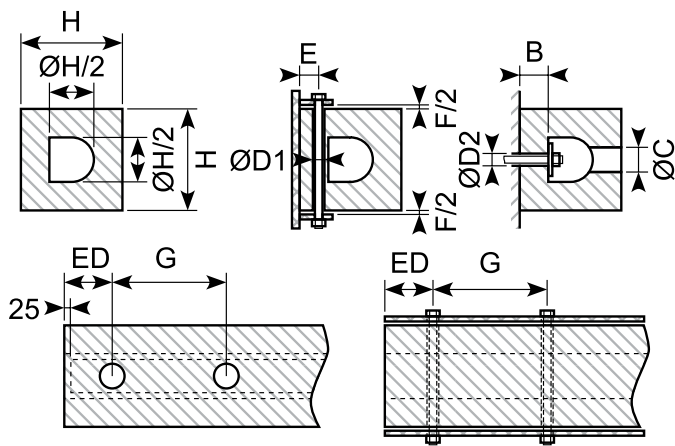
Længder fra 500 - 3.000 mm /  
Lengths from 500 - 3.000 mm

DD-fender



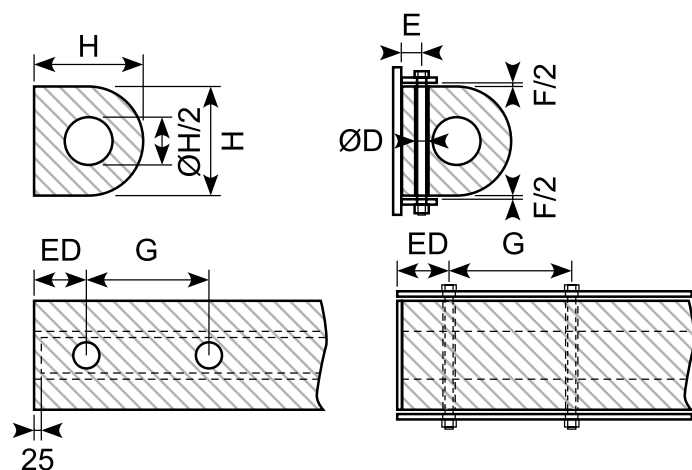
Art.	H (mm)	B (mm)	C (mm)	D1 (mm)	D2 (mm)	F (mm)	G (mm)	ED (mm)	Flat bar (mm)	Anchors	Weight (kg/m)
*	100 x 100	25	30	18	24	10	200-300	90-130	40 x 5	M12	8,3
*	150 x 150	37,5	40	24	32	12	250-350	110-150	60 x 8	M16	18
*	200 x 200	50	50	30	40	15	300-400	130-180	80 x 10	M20	32
*	250 x 250	62,5	60	36	48	20	350-450	140-200	90 x 12	M24	50
<b>39.DD300300</b> *	300 x 300	75	60	36	48	25	350-450	140-200	110 x 12	M24	72
*	350 x 350	87,5	75	45	60	25	350-450	140-200	130 x 15	M30	103,6
*	380 x 380	95	75	45	60	30	350-450	140-200	140 x 15	M30	122,1
*	400 x 400	100	75	45	60	30	350-450	140-200	150 x 15	M30	128
*	500 x 500	125	90	54	72	40	400-500	160-230	180 x 20	M36	200

SD-fender



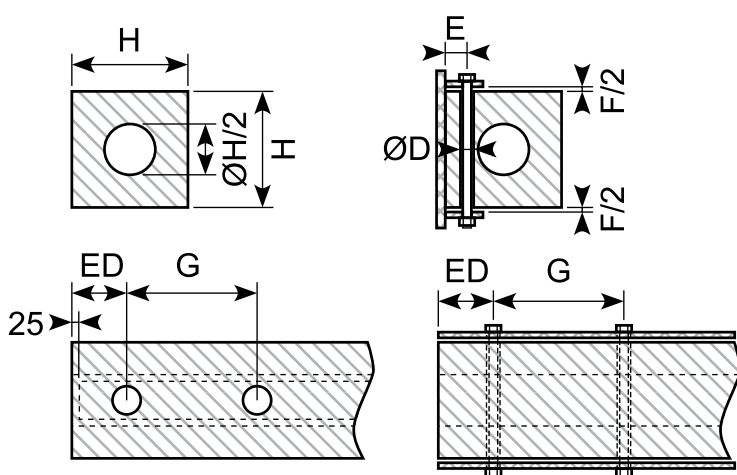
Art.	H (mm)	B (mm)	C (mm)	D1 (mm)	D2 (mm)	E (mm)	F (mm)	G (mm)	ED (mm)	Flat bar (mm)	Anchors	Weight (kg/m)
*	100 x 100	25	30	18	24	25	10	200-300	90-130	40 x 5	M12	9,5
*	150 x 150	37,5	40	24	32	30	12	250-350	110-150	50 x 8	M16	22,1
*	200 x 200	50	50	30	40	45	15	300-400	130-180	70 x 10	M20	38,7
<b>39.SD300250</b> *	250 x 250	62,5	60	36	48	50	20	350-450	140-200	90 x 12	M24	59,3
<b>39.SD300300</b> *	300 x 300	62,5	60	36	48	50	25	350-450	140-200	100 x 12	M24	73
*	350 x 350	75	75	45	60	60	25	350-450	140-200	100 x 15	M30	89,3
*	400 x 400	100	75	45	60	80	30	350-450	140-200	150 x 15	M30	148,5
*	500 x 500	125	90	54	72	90	40	400-500	160-230	180 x 20	M36	232,1

## DC-fender



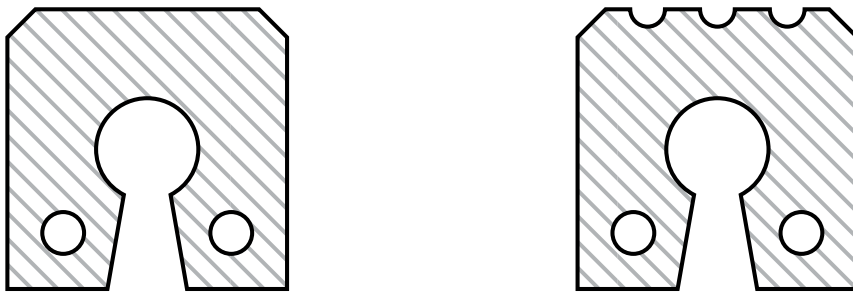
Art.	H (mm)	D (mm)	E (mm)	F (mm)	G (mm)	ED (mm)	Anchors	Weight (kg/m)
* 100 x 100	100	18	25	10	200-300	90-130	M12	9,9
* 150 x 150	150	24	30	12	250-350	110-150	M16	20
* 200 x 200	200	30	45	15	300-400	130-180	M20	37,4
* 250 x 250	250	36	50	20	350-450	140-200	M24	57,2
<b>39.DC300300</b> *	300	36	60	25	350-450	140-200	M24	81,3
* 350 x 350	350	45	70	25	350-450	140-200	M30	109,5
* 400 x 400	400	45	80	30	350-450	140-200	M30	142
* 500 x 500	500	54	90	40	400-500	150-230	M36	208

## SC-fender

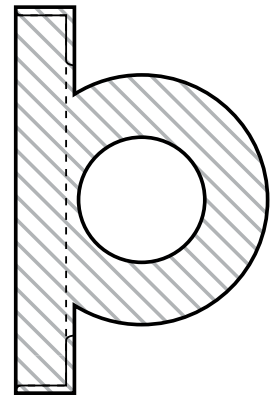


Art.	H (mm)	D (mm)	E (mm)	F (mm)	G (mm)	ED (mm)	Anchors	Weight (kg/m)
* 100 x 100	100	18	25	10	200-300	90-130	M12	11,1
* 150 x 150	150	24	30	12	250-350	110-150	M16	22,9
* 200 x 200	200	30	45	15	300-400	130-180	M20	42,6
* 250 x 250	250	36	50	20	350-450	140-200	M24	65,3
<b>39.SC300300</b> *	300	36	60	25	350-450	140-200	M24	92,9
* 350 x 350	350	45	70	25	350-450	140-200	M30	117,6
* 400 x 400	400	45	80	30	350-450	140-200	M30	153,6
* 500 x 500	500	54	90	40	400-500	150-230	M36	240,1

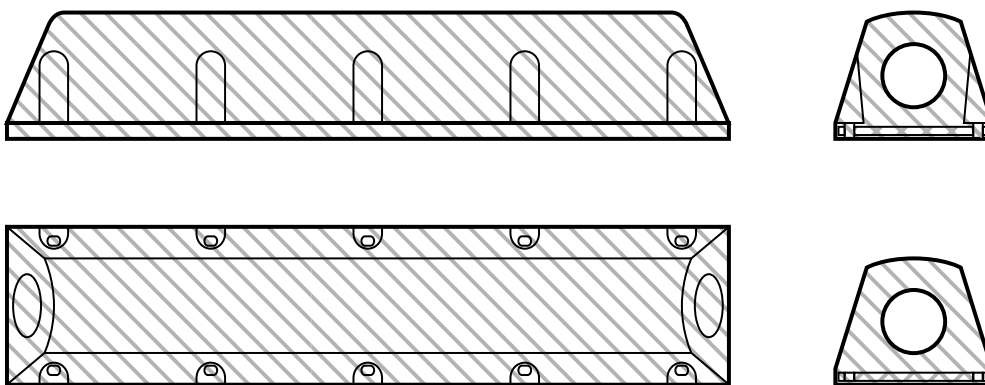
Keyhole fender \*



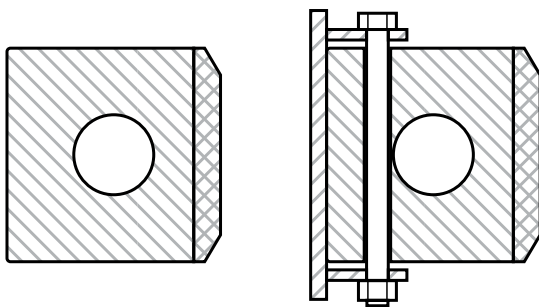
Wing-type-fender \*



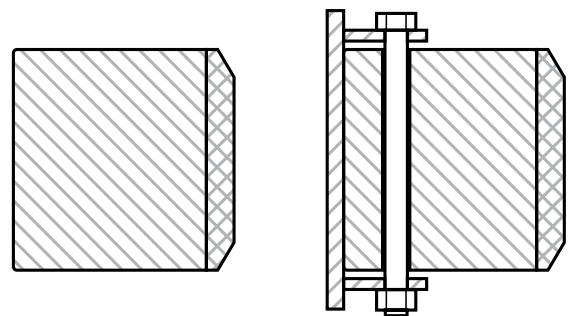
MC-fender \*



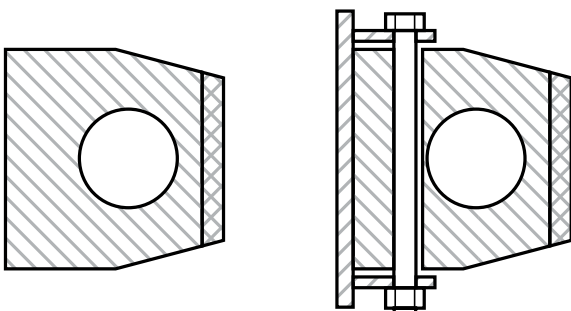
KF-A-fender



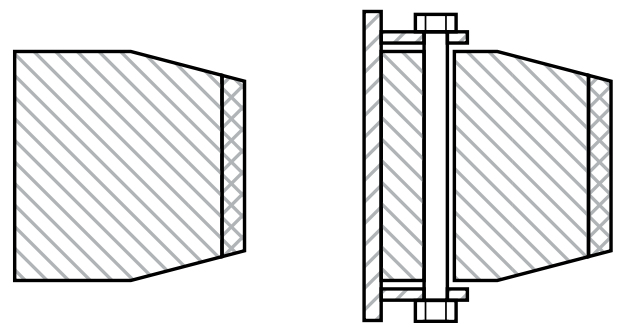
KF-B-fender



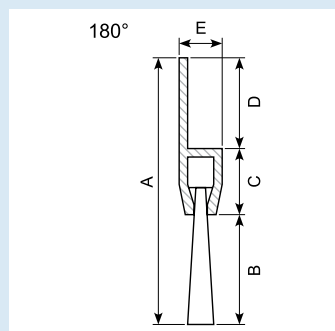
KF-C-fender \*



KF-D-fender \*

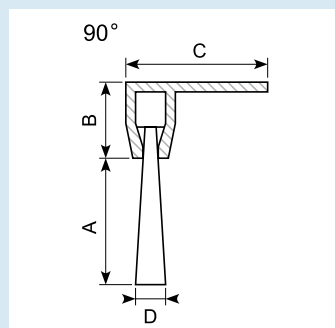


## Børste- og flock-lister / Brush sections



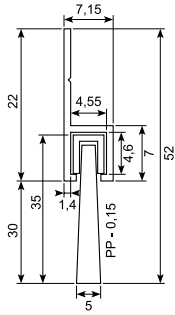
Art.	Type	A mm	B mm	C mm	D mm	E mm	L m
57.400/1 *	A	27	10,3	5,3	11,4	5,2	1
57.400/2	A	27	10,3	5,3	11,4	5,2	2
57.400/3 *	A	27	10,3	5,3	11,4	5,2	3
57.401/1	B	31	13,5	6,7	10,8	6,5	1
57.401/2 *	B	31	13,5	6,7	10,8	6,5	2
57.401/3 *	B	31	13,5	6,7	10,8	6,5	3
57.402/1 *	C	34	15	8,4	10,6	7,7	1
57.402/2	C	34	15	8,4	10,6	7,7	2
57.402/3 *	C	34	15	8,4	10,6	7,7	3
57.403/1 *	D	51,8	23,8	10,8	17,2	10	1
57.403/2 *	D	51,8	23,8	10,8	17,2	10	2
57.403/3 *	D	51,8	23,8	10,8	17,2	10	3
57.404/1 *	E	71	41	11,5	18,5	10,3	1
57.404/2	E	71	41	11,5	18,5	10,3	2
57.404/3	E	71	41	11,5	18,5	10,3	3
57.405/1 *	GS	78,5	44,5	14,5	19,5	13,5	1
57.405/2 *	GS	78,5	44,5	14,5	19,5	13,5	2
57.405/3 *	GS	78,5	44,5	14,5	19,5	13,5	3
57.406/1 *	GM	98,3	64,3	14,5	19,5	13,5	1
57.406/2 *	GM	98,3	64,3	14,5	19,5	13,5	2
57.406/3	GM	98,3	64,3	14,5	19,5	13,5	3
57.407/1 *	GL	135,6	101,6	14,5	19,5	13,5	1
57.407/2 *	GL	135,6	101,6	14,5	19,5	13,5	2
57.407/3 *	GL	135,6	101,6	14,5	19,5	13,5	3

57.401/3BX Brushes for 57.401. 3 m lengths.



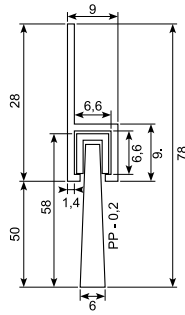
Art.	Type	A mm	B mm	C mm	D mm	L m
57.440/1 *	A	10,3	5,3	14	5,2	1
57.440/2 *	A	10,3	5,3	14	5,2	2
57.440/3 *	A	10,3	5,3	14	5,2	3
57.441/1 *	B	13,5	6,7	17,5	6,5	1
57.441/2 *	B	13,5	6,7	17,5	6,5	2
57.441/3 *	B	13,5	6,7	17,5	6,5	3
57.442/1 *	C	15	8,4	22	8,1	1
57.442/2	C	15	8,4	22	8,1	2
57.442/3 *	C	15	8,4	22	8,1	3
57.443/1 *	D	23,8	10,8	27	10	1
57.443/2 *	D	23,8	10,8	27	10	2
57.443/3 *	D	23,8	10,8	27	10	3
57.444/1 *	E	41	11,5	29	10,3	1
57.444/2 *	E	41	11,5	29	10,3	2
57.444/3 *	E	41	11,5	29	10,3	3
57.445/1 *	GS	44,5	14,5	35	13,5	1
57.445/2 *	GS	44,5	14,5	35	13,5	2
57.445/3 *	GS	44,5	14,5	35	13,5	3
57.446/1 *	GM	64,3	14,5	35	13,5	1
57.446/2	GM	64,3	14,5	35	13,5	2
57.446/3 *	GM	64,3	14,5	35	13,5	3
57.447/1 *	GL	101,6	14,5	35	13,5	1
57.447/2	GL	101,6	14,5	35	13,5	2
57.447/3 *	GL	101,6	14,5	35	13,5	3

57.403/2.5J



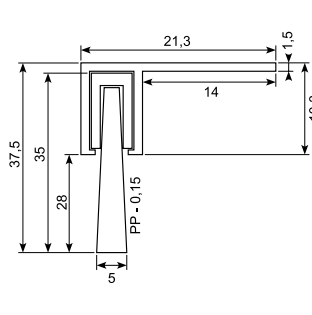
Material: Aluminium with polypropylene brush  
Length: 2,5 m

57.405/2J



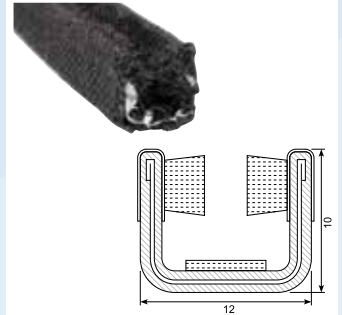
Material: Aluminium with polypropylene brush  
Length: 2 m

57.443/2JP



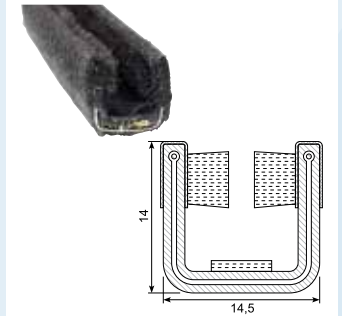
Material: Plastic with polypropylene brush  
Length: 2 m

33.621



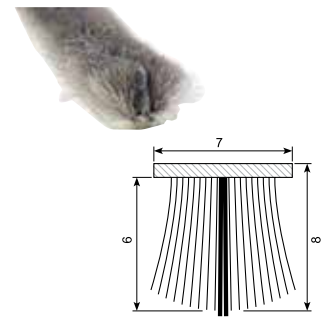
Rubber / fabric / brush  
4 - 5 mm glass  
Steel

33.623



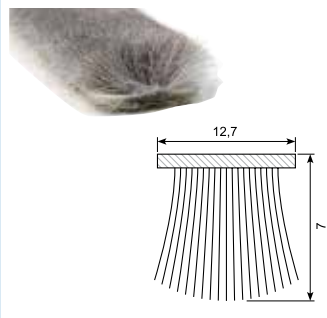
Rubber / fabric / brush  
4 - 6 mm glass  
Steel

33.611



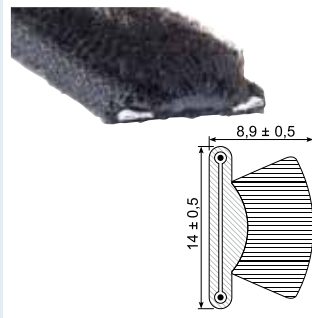
Self-adhesive list with brushes and waterproof center film

33.615

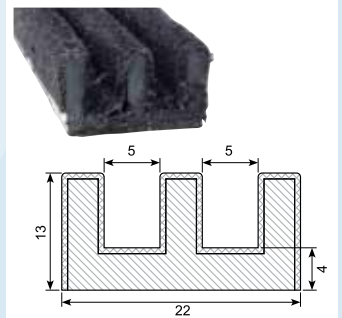


Self-adhesive list with brushes.

33.613

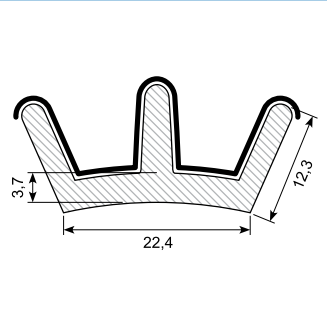


33.670



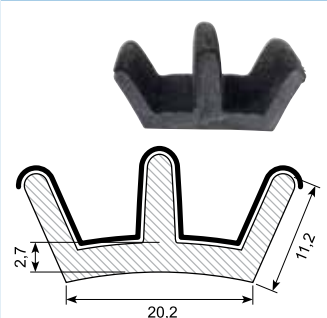
Flocked channel molding

33.671\*



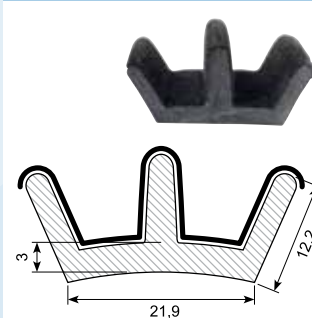
Material: EPDM  
Density: 1,28  
Hardness: SH 70  
Min. order: 2.000 m  
Flock: 3,3 dtex

33.672\*



Material: EPDM  
Density: 1,28  
Hardness: SH 70  
Min. order: 2.000 m  
Flock: 3,3 dtex

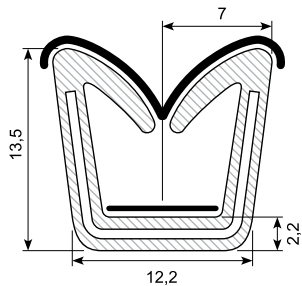
33.673\*



Material: EPDM  
Density: 1,28  
Hardness: SH 70  
Min. order: 2.000 m  
Flock: 3,3 dtex

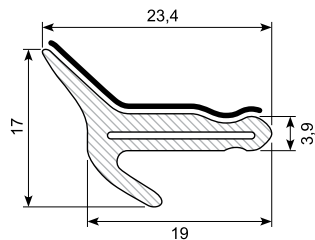
## Børste- og flock-lister / Brush sections

33.674 \*



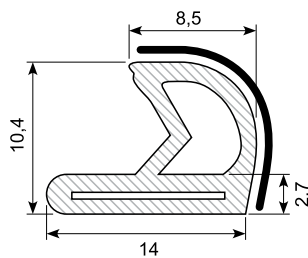
Material: EPDM  
Density: 1,28  
Hardness: SH 70  
Min. order: 3.000 m  
Flock: 3,3 dtex

33.675 \*



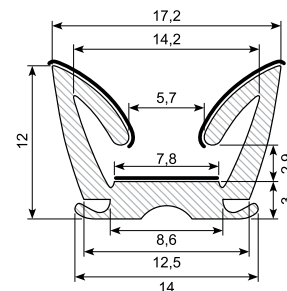
Material: EPDM  
Density: 1,28  
Hardness: SH 70  
Min. order: 3.000 m  
Flock: 3,3 dtex

33.676 \*



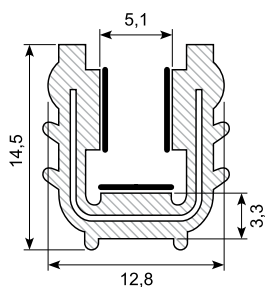
Material: EPDM  
Density: 1,28  
Hardness: SH 70  
Min. order: 3.000 m  
Flock: 3,3 dtex

30.13066 \*



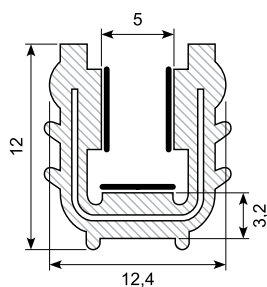
Material: EPDM  
Density: 1,28  
Hardness: SH 70  
Min. order: 3.000 m  
Flock: 3,3 dtex  
Glass width: 5 mm

33.624 \*



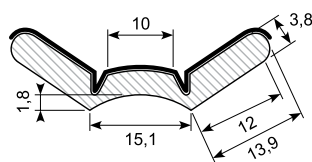
Material: EPDM  
Density: 1,28  
Hardness: SH 70  
Min. order: 3.000 m  
Flock: 3,3 dtex

33.625 \*



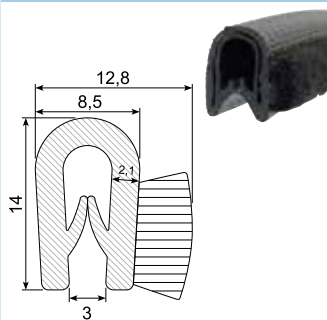
Material: EPDM  
Density: 1,28  
Hardness: SH 70  
Min. order: 3.000 m  
Flock: 3,3 dtex

30.14803 \*



Material: EPDM  
Density: 1,28  
Hardness: SH 70  
Min. order: 3.000 m  
Flock: 3,3 dtex

33.416



Edge trim: PVC with brush  
Grip range: 1 - 2,5 mm  
Hardness: SH 78  
Insert: 25 x 0,48 mm steel  
New brush



## Lydabsorption / Sound absorption

### Selvklebende skum med Tedlarbelægning

Benyttes, alt afhængig af folieafdækning i førerkabiner, motorrum, kompressorer, generatorer, ventilatorer, turbiner, pumper og lignende.

#### Self-adhesive foam with Tedlar coat

Depending on the foil covers this is used in cabs, engine compartment, compressors, generators, fans, turbines, pumps or the like.

Art.	Farve / Color	Overflade / Surface	Dimension (mm)
48.603	Hvid / White	Plan 100% Plane 100%	20 x 1.200 x 1.500
48.604	Hvid / White	Plan 100% Plane 100%	30 x 1.200 x 1.500

### Selvklebende skum med Bitumenindlæg

Self-adhesive foam with Bitumen inserts

Art.	Farve / Color	Overflade / Surface	Dimension (mm)
48.613K	Hvid / White	Plan 100% Plane 100%	33 x 600 x 1.000

## Lydisolering / Soundproofing

Lydisoleringsmaterialer er typisk lavet af åbencellede, fleksible skummaterialer i tungere densiteter. Den forøgede densitet er opnået ved at anvende regenereret skum.

Anvendelsesområdet kan typisk være lydisolering af motorrum i lystbåde, vindmøllehuse, kompressorer og andre støjende maskiner, hvor det er muligt at adskille støjkilden fra det omliggende område.

Da der ofte skal etableres et kølende luftskifte i disse situationer, laver man en lydsluse beklædt med lydabsorptionsmateriale.

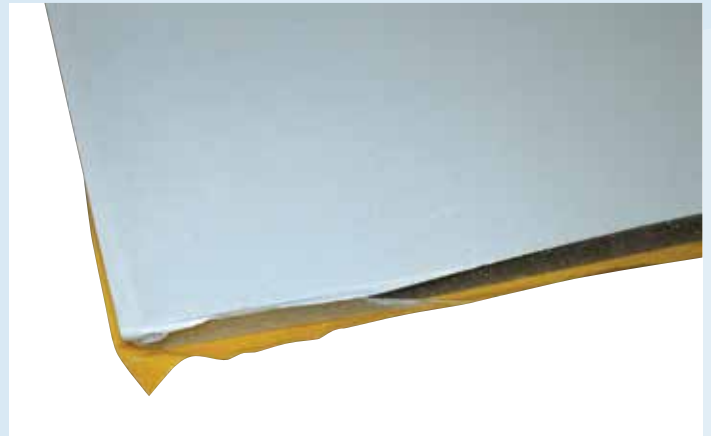
Granulat koldskum med enestående lydæmpningsevne. Benyttes til beklædning af motorrum, maskinafskærmninger, ventilationskamre og støjcabiner. Grundet den lave densitet kan den også, med fordel, anvendes som absorbent.



Art.	Overflade / Surface	Dimension (mm)
48.634	Ingen / None	20 x 500 x 1.000
48.635	Ingen / None	30 x 500 x 1.000
48.636	Ingen / None	40 x 500 x 1.000



Art.	Overflade / Surface	Dimension (mm)
48.634F	Folie / Foil	20 x 500 x 1.000
48.635F	Folie / Foil	30 x 500 x 1.000
48.636F	Folie / Foil	40 x 500 x 1.000
48.636FX	Folie / Foil	40 x 1.000 x 2.000



### Self-adhesive foam with rubber surface

Selvklebende skum med gummi-overflade

Art.	Farve / Color	Overflade / Surface	Dimension (mm)
48.626	Sort / Black	Plan 100% Plane 100%	2 / 10 x 1.200 x 1.500

Soundproofing materials are typically made of open-celled, flexible foam materials in heavier densities. The increased density is achieved by using regenerated foam.

The field of application can typically be soundproofing of the engine compartment in yachting, wind turbine housings, compressors and other noisy machines where it is possible to separate the noise source from the surrounding area.

Because it is often necessary to assure a cooling air circulation in these situations you make a sound lock covered with soundproofing material.

Granulate cold foam with unique soundproofing ability. This is used for coating of engine compartment, machine guards, ventilation chambers and noise cabins. Due to the low density it may also be used as absorbent with advantage.



Art.	Overflade / Surface	Dimension (mm)
48.634K	Klæb / Glue	20 x 500 x 1.000
48.635K	Klæb / Glue	30 x 500 x 1.000
48.636K	Klæb / Glue	40 x 500 x 1.000



Art.	Overflade / Surface	Dimension (mm)
48.634KF	Folie og klæb / Foil and glue	20 x 500 x 1.000
48.635KF	Folie og klæb / Foil and glue	30 x 500 x 1.000
48.636KF	Folie og klæb / Foil and glue	40 x 500 x 1.000

## Lydisolering / Soundproofing

### Lydabsorption / Sound absorption

Lydabsorptionsmaterialer (PU) er typisk lavet af åbencellede, fleksible skummaterialer i lettere densiteter.

Anvendelsesområdet vil typisk være indvendig beklædning af førerkabiner, støjskærme, lydsluger, kanalvægge og lignende situationer, hvor det ikke er muligt at adskille støj-kilden fra det omkringliggende område.

Soundproofing materials (PU) are typically made of open-celled, flexible foam materials in lighter densities.

The field of application will typically be interior sheathing of cabs, noise barriers, sound locks, canal walls and similar situations where it is not possible to separate the noise source from the surrounding area.

#### Selvklæbende skum uden folie

Anvendes til indvendig beklædning af motorrum, maskin-skærmninger, støjkabiner, el-styretavler, paneler, indlæg i emballage m.m.

#### Self-adhesive foam without foil

This is used for interior sheathing of engine compartment, machine guards, noise cabins, electrical control panels, panels and inserts in packaging with more.

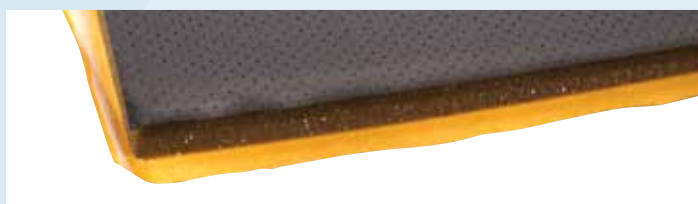
#### Selvklæbende skum med PVC-folie

Benyttes, alt afhængig af folieafdækning, til beklædning i førerkabiner, motorrum, kompressorer, generatorer, ventilatorer, turbiner, pumper og lignende.

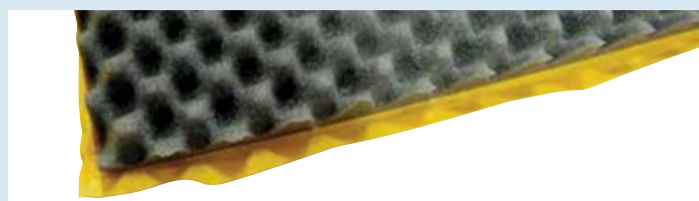
Self-adhesive foam with PVC foil Depending on the foil covers this is used for sheathing in cabs, engine compartment, compressors, generators, fans, turbines, pumps or the like.



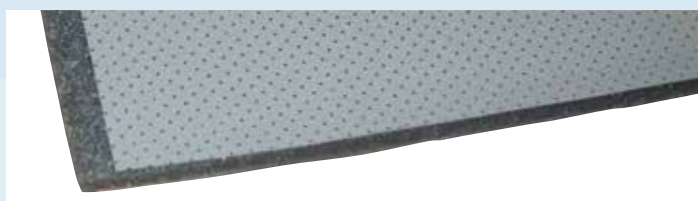
Art.	Overflade / Surface	Dimension (mm)
48.621	Plan / Plane	10 x 1.200 x 1.500
48.622	Plan / Plane	20 x 1.200 x 1.500
48.622X	Plan / Plane	30 x 1.200 x 1.500



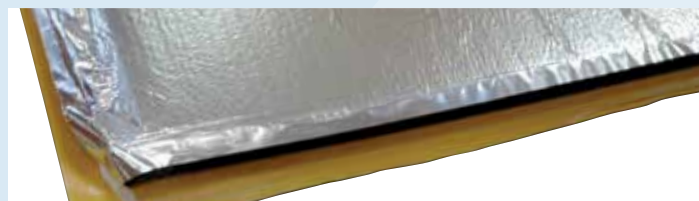
Art.	Farve / Color	Overflade / Surface	Dimension (mm)
48.605X	Sort / Black	2% perforated	10 x 1.200 x 1.500
48.605	Sort / Black	2% perforated	20 x 1.200 x 1.500
48.605Y	Sort / Black	2% perforated	30 x 1.200 x 1.500



Art.	Overflade / Surface	Dimension (mm)
48.623	Æggebakke / Egg tray	30 / 15 x 1200 x 1500
48.624	Æggebakke / Egg tray	40 / 20 x 1200 x 1500
48.623X	Æggebakke / Egg tray	30 / 15 x 1.200 x 2.000



Art.	Farve / Color	Overflade / Surface	Dimension (mm)
48.451	Grå / Grey	2 % perf. / pap 2 % perf. / cardcoard	10 x 1.000 x 1.500
48.452	Grå / Grey	2 % perf. / pap 2 % perf. / cardcoard	20 x 1.000 x 1.500



Art.	Color	Surface	Dimension (mm)
48.608	Alu.	Plane 100%	20 x 1.200 x 1.500
48.609	Alu.	Plane 100%	30 x 1.200 x 1.500



Art.	Color	Surface	Dimension (mm)
48.605B *	Brown	2 % perforated	20 x 1.200 x 1.500

Min. order: 10 pcs.

## Soundproofing / Lyddæmpning

Lyddæmpningsmaterialer er typisk lavet af hårdt og tungt materiale.

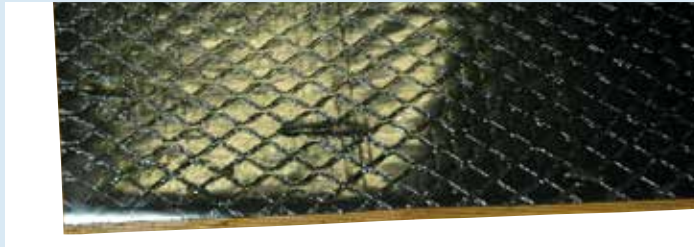
Anvendelsesmulighederne kan typisk være dæmpning af store pladearealer, bundplader i biler/maskiner, dørsider og andre steder hvor der kan opstå resonans.

Soundproofing materials are typically made of hard and heavy material.

The field of application can typically be damping of large plate areas, bottom plates in cars / machinery, doors and other places where there may be resonance.

Bitumenplader er kunststofbasis

Bitumen plates are based on synthetic material



Art.	Surface	Pack	Dimension (mm)
48.544A	Adhesive	4 pk.	500 x 500 x 3
48.542	Adhesive	6 pk.	500 x 250



Art.	Surface	Pack	Thickness (mm)	Dimension (mm)
48.442	Adhesive	1 pc	1,7	500 x 1.050



Art.	Surface	Pack	Thickness (mm)	Dimension (mm)
48.612	Adhesive	1 pc	3	750 x 1.200



Varenr.	Thickness (mm)	Dimension (mm)
48.618	10	1.250 x 1.500

## Tilbehør / Accessory

68.4250



Alutape til samling af motorisolerings. 50 mm x 10 m.  
Alu tape for the assembly of motor insulation. 50 mm x 10 m.

63.55030



Plastskive Ø50 mm til montering af motorisolerings.  
Plastic disc with 50 mm diameter for mounting of motor insulation.



### KINA GUMMIPLADER - COMMERCIAL QUALITY

Varene er prisgünstige alternativer til Europa plader. Ikke en erstatning for europæiske kvaliteter.

Hele ruller leveres i plastfolie. Pladerne er et godt alternativ til hovedparten af de gængse opgaver. Anbefales ikke til højkvalitetspakninger med store krav til tolerancer og mekanisk styrke. Sammenlign evt. de tekniske beskrivelser. Pladerne har større tykkelsestolerancer end de europæiske. Mange andre kvaliteter kan skaffes i større mængder.

### CHINA RUBBER SHEETS - COMMERCIAL QUALITY

Excellent alternatives to European sheets at very favourable prices. SHOULD NOT be understood as a substitute for European qualities. The rubber sheets are delivered on rolls wrapped in plastic. The sheets are good alternatives for most common tasks. Cannot be recommended for high-quality seals with high demands on tolerances and mechanical strength. In case of doubt please compare the technical descriptions. The sheets have higher tolerances on thickness than the European ones. Many other qualities are available if large quantities are required.

### Gummimåtter / Rubber sheets

Sort prisgünstig gummiplade til almen brug, hvor der ikke stilles større krav til trækstyrke. Bruges til pakninger, mellemlæg m.m.

Black commercial rubber mat for normal use, where there are no specific demands on tensile strength. Useful for seals.

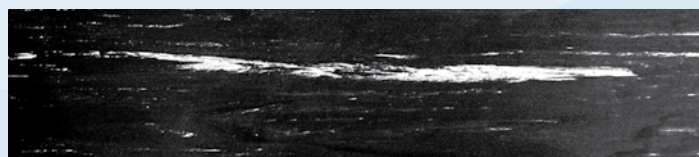
Art.	Thickness (mm)	Width (mm)	Length (mm)	Insertion
38.400-1.5	1,5	1.400	20.000	0
38.400-2	2	1.400	20.000	1
38.400-3	3	1.400	20.000	1
38.400-4	4	1.400	20.000	1
38.400-5	5	1.400	10.000	1
38.400-6/650	6	650	10.000	2
38.400-6	6	1.400	10.000	2
38.400-8	8	1.400	10.000	2
38.400-10	10	1.400	10.000	2
38.400-12	12	1.400	10.000	2
38.400-15	15	1.400	5.000	0
38.400-20	20	1.400	5.000	0
38.400-25	25	1.400	5.000	0

### Gummimåtter / Rubber sheets

Bus- og tog-gangmåtte, marble-mønster/farve. 2 meter bredde, fås i 25 meters ruller.

Bus and train walk-away mat, marble pattern/color. 2 metres wide, length 25 metres.

Art.	Thickness (mm)	Width (mm)	Length (mm)	Insertion
38.428	3	2.000	25.000	0



Data	
Gummi / Rubber	NR / SBR
Farve / Color	Black
Kvalitet / Quality	Commercial
Hårdhed / Hardness - Shore A	70
Densitet / Gravity - g/cm <sup>3</sup>	1,55
Forlængelse / Elongation - %	200
Arbejdstemperatur / Working temperature - °C	-20 +70
Trækstyrke / Tensile strength - N/mm <sup>2</sup>	4

Data	
Mønster / Design	Marmor / Marble
Farve / Color	Black
Kvalitet / Quality	Commercial
Hårdhed / Hardness - Shore A	70
Densitet / Gravity - g/cm <sup>3</sup>	1,5
Forlængelse / Elongation - %	250
Arbejdstemperatur / Working temperature - °C	-40 +80
Trækstyrke / Tensile strength - N/mm <sup>2</sup>	3,5

## Blød paragummi/naturgummi / Soft para rubber

Rød naturgummiplade. Meget blød, meget elastisk, stor friktion.

Red natural rubber sheet, very soft. Highly elastic, good friction.

Art.	Thickness (mm)	Width (mm)	Length (mm)	Insertion
38.401-2	2	1.400	10.000	0
38.401-3	3	1.400	10.000	0
38.401-4	4	1.400	10.000	0
38.401-5	5	1.400	10.000	0
38.401-6	6	1.400	10.000	0
38.401-10	10	1.400	10.000	0
38.401-15	15	14.000	5.000	0
38.401-20	20	14.000	5.000	0

Data	
Gummi / Rubber	Natur
Farve / Color	Rød / Red
Kvalitet / Quality	Commercial
Hårdhed / Hardness - Shore A	40
Densitet / Gravity - g/cm <sup>3</sup>	1,25
Forlængelse / Elongation - %	550
Arbejdstemperatur / Working temperature - °C	-20 +90
Trækstyrke / Tensile strength - N/mm <sup>2</sup>	18

## EPDM Gummi Sort / Black

Sort EPDM gummi, meget god ozon- og vejrbestandighed.

God temperaturbestandighed.

Black EPDM rubber with high resistance to ozon and climate. Very resistant to cold and hot applications.

Art.	Thickness (mm)	Width (mm)	Length (mm)	Insertion
38.402-0,5	0,5	1.200	10.000	0
38.402-1X	1	1.400	20.000	0
38.402-2X	2	1.400	10.000	0
38.402-3X	3	1.400	10.000	0
38.402-4X	4	1.400	10.000	0
38.402-5X	5	1.400	10.000	0

Data	
Gummi / Rubber	EPDM
Farve / Color	Sort / Black
Kvalitet / Quality	Commercial
Hårdhed / Hardness - Shore A	70
Densitet / Gravity - g/cm <sup>3</sup>	1,30
Forlængelse / Elongation - %	300
Arbejdstemperatur / Working temperature - °C	-40 +100
Trækstyrke / Tensile strength - N/mm <sup>2</sup>	6 - 7

## CR / Chloroprene Sort / Black

Sort CR gummiplade god vejr/vind- og ozonbestandighed, egnet hvor der ikke stilles krav til træk/rivstyrke. Betinget oliebestandig.

Black CR rubber plate, good climate resistance, used where there are no specific demands to tensile strength. Conditional oil resistance.

Art.	Thickness (mm)	Width (mm)	Length (mm)	Insertion
38.403-2	2	1.400	20.000	0
38.403-3	3	1.400	20.000	0
38.403-4	4	1.400	20.000	0
38.403-5	5	1.400	10.000	0
38.403-6	6	1.400	10.000	0
38.403-8	8	1.400	10.000	0

Data	
Gummi / Rubber	CR
Farve / Color	Sort / Black
Kvalitet / Quality	Commercial
Hårdhed / Hardness - Shore A	65
Densitet / Gravity - g/cm <sup>3</sup>	1,55
Forlængelse / Elongation - %	280
Arbejdstemperatur / Working temperature - °C	-40 +90
Trækstyrke / Tensile strength - N/mm <sup>2</sup>	3,5

## Kinagummiplader / Rubber sheets from China

### NBR / NITRIL - Sort / Black

Sort prisgunstig nitril med gode mekaniske egenskaber. Egnede til alle alifatisk og aromatiske olier, benzin.

Black commercial nitrile with good mechanical properties. Recommended for aliphatic and aromatic oils, petrol.

Art.	Thickness (mm)	Width (mm)	Length (mm)	Insertion
<del>38.304-1.5 **</del>	<del>1,5</del>	<del>1.400</del>	<del>20.000</del>	<del>0</del>
38.404-2	2	1.400	20.000	0
38.404-3	3	1.400	20.000	0
38.404-4	4	1.400	20.000	0
38.404-5	5	1.400	10.000	0
38.404-6	6	1.400	10.000	0
38.404-8	8	1.400	10.000	0
38.404-10	10	1.400	10.000	0
38.404-12	12	1.400	5.000	0
38.404-15	15	1.400	5.000	0
38.404-20 *	20	1.400	5.000	0

Data	
Hårdhed / Hardness - Shore A	70
Densitet / Density - g/cm <sup>3</sup>	1,49
Kvalitet / Quality	Commercial
Forlængelse / Elongation - %	330
Arbejdstemperatur / Working temperature - °C	-30 +70
Trækstyrke / Tensile strength - N/mm <sup>2</sup>	10

### Slid-gummi / Wearing rubber - Sort / Black

Slidgummi med høj træk/rivstyrke.

Egnede til alle stærkt slidende applikationer, grusgrave, sandblæsekabiner

Wearing/abrasion rubber with high tensile strength.

Recommended for wearing application, gravel pits, sandblasting.

Art.	Thickness (mm)	Width (mm)	Length (mm)	Insertion
38.405-6	6	1.400	10.000	0
38.405-8 *	8	1.400	10.000	0
38.405-10	10	1.400	10.000	0
38.405-10X *	10	2.000	10.000	0
38.405-15	15	1.400	10.000	0
38.405-20 *	20	1.400	5.000	0
38.405-40 *	40	1.200	7.000	0

Data	
Hårdhed / Hardness - Shore A	60
Densitet / Density - g/cm <sup>3</sup>	1,30
Forlængelse / Elongation - %	400
Arbejdstemperatur / Working temperature - °C	-30 +70
Trækstyrke / Tensile strength - N/mm <sup>2</sup>	15

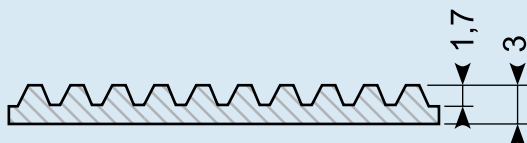
NR/SBR - Sort / Black - Grå / Grey

\*\* = sort / black - 100% virgin quality SBR

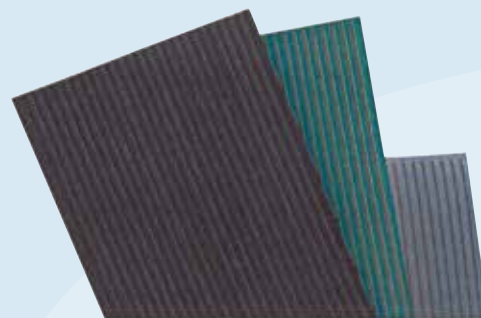
Lugtfri / non-smelling

Finnriflet gummiplade, skridsikker plade til kabiner, arbejdsborde, hylder, gangarealer, køretøjer, sportsaktiviteter, udstillinger.

Fine-ribbed rubber mat, non-slip coverings for cabins, working benches, shelves, corridors, vehicles, sporting facilities, exhibition floors.



Art.	Thickness (mm)	Width (mm)	Length (mm)	Insertion	Color
38.407-3X **	3	1200	20000	0	Black
38.407-3 **	3	1400	20000	0	Black
38.407-3C	3	1400	20000	0	Black
38.407-3G	3	1400	20000	0	Grey
38.407-3XL	3,5	1.800	10.000	0	Black



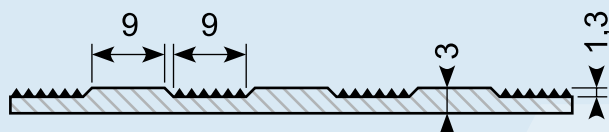
Data	38.407-3C	**
Hårdhed / Hardness - Shore A	70	70
Densitet / Density - g/cm <sup>3</sup>	1,6	1,6
Forlængelse / Elongation - %	280	280
Arbejdstemperatur / Working temperature - °C	-10 +70	-20 +70
Trækstyrke / Tensile strength - N/mm <sup>2</sup>	3,5	5

Busmåtte / Bus mats

NR / SBR = Natur / SBR

Mellemriflet plade, egnet til gulv og vægbeklædning til busser, både, dyretransport, værksteder mm.

Medium-ribbed mat, recommended for floors and walls for buses, boats, animal transport, work shops.



Art.	Thickness (mm)	Width (mm)	Length (mm)	Insertion
38.418	3	1.500	15.000	0
38.418N *	3	1.500	15.000	0



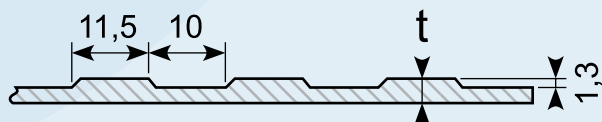
Data	38.418 NR / SBR	38.418N NBR
Hårdhed / Hardness - Shore A	70	70
Densitet / Density - g/cm <sup>3</sup>	1,6	1,45
Kvalitet / Quality	Commercial	Commercial
Forlængelse / Elongation - %	280	250
Arbejdstemperatur / Working temperature - °C	-10 +70	-10 +70
Trækstyrke / Tensile strength - N/mm <sup>2</sup>	3,5	6

Busmåtte / Bus mats - Commercial Quality

NR / SBR = Natur / SBR

\*\* = Sort / Black - 100% virgin quality SBR

Lugtfri / Non smelling



Art.	Thickness (t) (mm)	Width (mm)	Length (mm)	Insertion
38.421C	5	1.400	10.000	0
38.420C	5	2.000	10.000	0
38.419 **	3,5	2.000	10.000	0
38.419X **	3,5	1.400	20.000	0
38.420 **	5	2.000	10.000	0
38.420 BOX ** (Wooden box)	5	2.000	50.000	0



Bredriflet plade, egnet til gulv og vægbeklædning til busser, både, dyretransport, værksteder mm.

Wide-ribbed mat, recommended for floors and walls for buses, boats, animal transport, work shops.

Data	NR / SBR	SBR **
Hårdhed / Hardness - Shore A	70	70
Densitet / Density - g/cm <sup>3</sup>	1,6	1,6
Forlængelse / Elongation - %	280	280
Arbejdstemperatur / Working temperature - °C	-10 +70	-10 +70
Trækstyrke / Tensile strength - N/mm <sup>2</sup>	3,5	5

## Kinagummiplader / Rubber sheets from China

Diamantmätte / Diamond mat

Skridsikker PVC-mätte

PVC mat non-skid

Art.	Thickness (mm)	Width (mm)	Length (mm)	Insertion
37.245P	3	1.200	10.000	0

Current stock available



Data	
Hårdhed / Hardness - Shore A	80
Densitet / Density - g/cm <sup>3</sup>	1,6
Forlængelse / Elongation - %	280
Arbejdstemperatur / Working temperature - °C	-10 +70
Trækstyrke / Tensile strength - N/mm <sup>2</sup>	3,5

Knopmätte / Studded Flooring

Knopmätte, anbefales til trafikerede arealer, metro, lufthavne, supermarkeder, elevatorer, busser, toge, lastbiler, både m.m.

Studded flooring, recommended for high traffic areas such as metro, airports, supermarkets, lifts, buses, trains, trucks, boats.

Art.	Thickness (mm)	Width (mm)	Length (mm)	Insertion	Color
38.427-3C	3,5	1.200	10.000	0	Black
38.427-3GC	3,5	1.200	10.000	0	Grey



Data	Black	Grey
Hårdhed / Hardness - Shore A	65 - 70	65 - 70
Densitet / Density - g/cm <sup>3</sup>	1,5	1,6
Kvalitet SBR / Quality SBR	Commercial	Commercial
Forlængelse / Elongation - %	150	150
Arbejdstemperatur / Working temperature - °C	-20 +70	-20 +70
Brudstyrke / Tear resistance - N/mm <sup>2</sup>	3	3

Dørkmätte / Checker mat

Dørkmätte til industrigulve og maskinområder, varehuse, trafikerede områder, skridsikker overflade.

Studded flooring, recommended for high traffic areas such as metro, airports, supermarkets, lifts, buses, trains, trucks, boats.

Art.	Thickness (mm)	Width (mm)	Length (mm)	Insertion	Color
38.425-3	3	1.400	10.000	0	**
38.425-3C	3	1.400	10.000	0	C
38.425-5	5	1.400	10.000	0	**
38.425-5C	5	1.400	10.000	0	C
38.425N-3	3	1.400	10.000	0	NBR
38.425N-5	5	1.400	10.000	0	NBR
38.426-3	3	2.000	10.000	0	**
38.426-3C	3	2.000	10.000	0	C
38.426-5	5	2.000	10.000	0	**
38.426-5C	5	2.000	10.000	0	C
38.426-8C	8	2.000	10.000	0	C



Data	NR / SBR	NR / NBR Virgin **	NBR
Hårdhed / Hardness - Shore A	70	70	70
Densitet / Density - g/cm <sup>3</sup>	1,6	1,6	1,45
Forlængelse / Elongation - %	350	350	250
Arbejdstemperatur / Working temperature - °C	-10 +70	-10 +70	-10 +70
Trækstyrke / Tensile strength - N/mm <sup>2</sup>	3,5	5	6

NR/SBR = Natur / SBR

NBR = Oliebestandig / oil resistant

\*\* = 100% Virgin quality lugtfri / non smelling / geruchsfrei

C = commercial quality

Viton-gummi

Art.	Thickness (mm)	Width (mm)	Length (mm)	Insertion
38.429-2 *	2	1.200	10.000	0

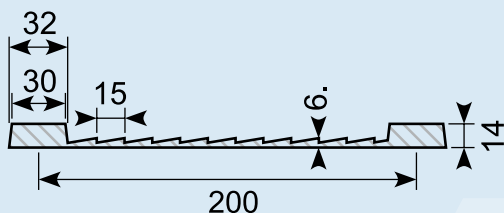
Min. order: 12 m<sup>2</sup>

Data	
Hårdhed / Hardness - Shore A	70
Densitet / Density - g/cm <sup>3</sup>	-
Forlængelse / Elongation - %	250
Arbejdstemperatur / Working temperature - °C	-
Trækstyrke / Tensile strength - N/mm <sup>2</sup>	7

\* Skaffevare / Special order item

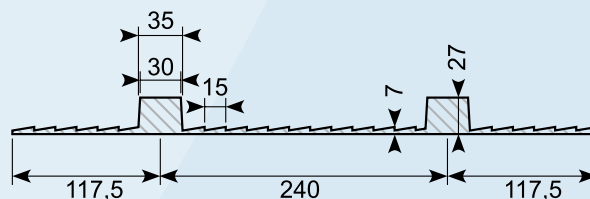


## Rampemåtte / Rear Board Matting



SBR - Sort / Black - Commercial

Art.	Thickness (mm)	Width (mm)	Length (mm)
37.250X	6/14	1.750	1.550



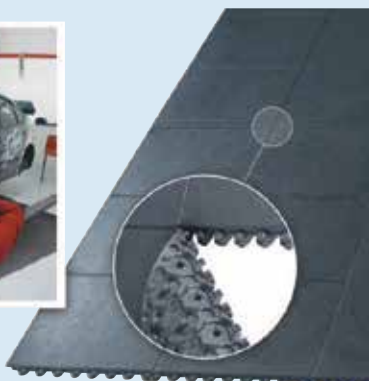
SBR - Sort / Black - Commercial

Art.	Thickness (mm)	Width (mm)	Length (mm)
37.251X		2.400	1.200

Data	37.250X	37.251
Hårdhed / Hardness - Shore A	SBR 70	SBR 65
Densitet / Gravity - g/cm <sup>3</sup>	1,5	1,55
Forlængelse / Elongation - %	250	200
Arbejdstemperatur / Working temperature - °C	-40 +80	-20 +75
Trækstyrke / Tensile strength - N/mm <sup>2</sup>	4	4,5

## Gummimåtter / Rubber mats

### Ergo Solid



#### Ergo Solid - tegn på ergonomisk indsigt

Ergo Solid er en nitrilgummimåtte med fantastiske gode aflastnings-egenskaber og slidstyrke. Pladerne kan sammensættes fleksibelt uden anvendelse af samlingsstykker. Velegnet til arbejdspladser i industrien med enten tørt eller fedtet miljø.

- Tåler kontakt med varmt værktøj
- oliebestandig
- Ryg og ben aflastes effektivt, hvilket resulterer i høj produktivitet og lavere sygefravær
- Affasede kanter minimerer risikoen for at snuble - findes ligeledes i gul for markering af arbejdsområde m.v.

#### Ergo Solid - shows ergonomical knowledge

Ergo Solid is a wear-resistant nitril rubber mat with excellent strain relief. The sheets may be joined together without the use of fittings. Suitable for workplaces in the industrial field - for dry or greasy environments.

- Tolerates contact with hot tools
- Oil resistant
- Bag and legs are effectively relieved resulting in a high productivity and less absence due to sickness.
- Chamfered edges keep the risk of stumbling to a minimum
- Available in yellow to mark the work area etc.

Art.	Name	Color	Size (m)	Height (mm)	Weight (kg)
38.9726230	Ergo Solid	Sort	0,91 x 0,91	19	8,2
38.9730030*	Skrå kant - male	Sort	0,08 x 0,91		1
38.9750030	Koppling	Sort	0,03 x 0,23		0,1
38.9730030S*	Skrå kant - female				

\* Ved kant rundt om hele måtten. Bruges 2 han + 2 hun skråkanter. Grundmåtten har udvendige tappe på 2 sider.

\* At the edge around the entire mat. Use 2 male + 2 female edges. The basic mat has exterior pins on 2 sides.

### Ergo Bubble



#### Boblemåtte

Ergo Bubble er en traditionel boblemåtte fremstillet af skum-polyuretan. Materialet har unikke elastiske egenskaber som sammen med bulerne i overfladen får benmusklerne til at arbejde og giver en god aflastning - samtidig med at den har meget høj slidstyrke. Måtten findes i flere standardstørrelser men kan derudover fremstilles efter dine specialmål. Samtlige Ergo Bubble har affasede kanter for at minimere snublerisikoen.

Er velegnet i alle tørre miljøer.

Art.	Name	Color	Size (m)	Weight (kg)
38.8100110	Ergo Bubble	Grafit	0,65 x 0,95	3,2
38.8100310	Ergo Bubble *	Grafit	0,65 x 1,8	4
38.8103110	Ergo Bubble *	Grafit	0,95 x 1,2	4



**Kan skaffes i oliebestandig NBR /**  
Obtained in oil resistant NBR  
0,65 x 1,4 m  
0,95 x 1,5 m  
0,95 x 1,8 m

#### Bubble mat

Ergo Bubble is a traditional bubble mat made from foam-polyurethane. The material has unique elastic properties which, together with the bubbles in the surface, make the leg muscles work and provide excellent strain relief - at the same time the mat is extremely hard-wearing.

Available in several standard sizes - or custom-designed according to your special dimensions. All Ergo Bubble have chamfered edges to reduce the risk of stumbling to a minimum.

Suitable for use in all dry environments.

## Ergo Durk



En klassiker til mange arbejdspladser

Ergo Durk er en klassisk arbejdspladsmåtte med dørkmønstreret overside i nitrilgummi. Bagsiden er af EPDM-cellegummi med lukkede celler.

Kombinationen af disse miljøvenlige materialer giver en både slidstærk og behagelig måtte at stå på. Desuden yders der 5 års komplet slitagaranti.

Fås i standardmåtte fra rulle eller i specialmål efter tegning, alt med af-fasede kanter.

**Ergo Durk ESD** beskytter også følsomt elektronik imod statisk elektricitet. Måtten er godkendt i henhold til SP 2472.

Art.	Name	Color	Size (m)	Weight (kg)
38.5017530 **	Ergo Durk	Sort	1,4 x 1	6,6
38.5017530 **	Ergo Durk	Sort	1,4 x 10	66



\* Måtten har en gummioverside og en underside af EPDM.

\* The mat has a rubber top side and a bottom side of EPDM.

A Classic for Many Workplaces

Ergo Durk is a classic workplace mat with a surface patterned like the deck of a ship and the upper side made of nitrile rubber. The back side is made of EPDM cellular rubber with closed cells.

The combination of these environmentally compatible materials provides a both hard-wearing and pleasant mat. Furthermore, there is a five-year guarantee against wear.

Available as a standard mat in a roll or in sheets specially made according to drawing - all with chamfered edges.

**Ergo Durk ESD** also protects sensitive electronics against static electricity. The mat has been approved acc. to SP 2472.

## Ergo Dome



**Ergo Dome, god måtte til gunstig pris**

Ergo Dome er en slidstærk måtte i naturgummi (SBR).

Den buleformede overflade stimulerer blodcirkulationen hvilket mindsker belastningsskader i ben og ryg.

**Ergo dome, good mat at low prices.**

Ergo dome is a durable mat of natural rubber (SBR).

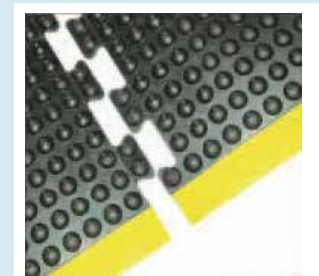
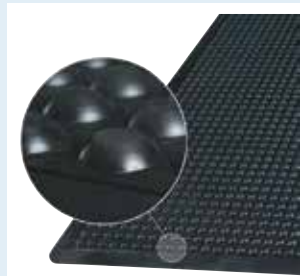
The bulge-shaped surface stimulates blood circulation, which reduces stress injuries in the legs and back.

Art.	Name	Color	Size (m)	Weight (kg)
38.410200	Ergo Dome	Sort	0,6 x 0,9	3,2
38.410201	Ergo Dome	Sort	0,9 x 1,2	4
38.410203	Ergo Dome Puzzle midterstykke	Sort	0,9 x 1,2	4
38.410202	Ergo Dome Puzzle, endestykke	Sort	0,9 x 1,2	4

Puzzle er med sorte kanter, og det er muligt at samle 2 endestykker til f.eks. 2,4 m

Puzzle is with black borders, and it is possible to assemble two end pieces, for example 2.4 m.

**Kan skaffes i oliebestandig NBR /**  
Obtained in oil resistant NBR  
0,6 x 0,9 m  
0,9 x 1,2 m



## Gummimåtter / Rubber mats

### Ergo Ring



**Kan skaffes i / Obtained in**  
0,4 x 0,6 og 0,6 x 0,8



Skridsikker i vådt og tørt

Ergo Ring bortdræner effektivt væde og spildmateriale, hvilket sikrer en skridsikker overflade at stå på. Den åbne ringkonstruktion giver desuden en god aflastning.

- Kan samles, hvilket giver mulighed for store sammenhængende, skridsikre overflader
- Dræner effektivt, ideel ved bearbejdningsmaskiner eller i våde lokaler
- God som grov dørmatte i entreer
- Naturgummi med den rette hårdhed giver skridsikkerhed både i tørt og vådt miljø

Non-skid in wet and dry environment

Ergo Ring effectively drains off wet and waste material, which ensures a non-skid surface. The open annular construction provides an excellent strain relief.

- May be joined together to large coherent non-skid surfaces
- Drains effectively, ideal for machine tools or in wet premises
- Applicable as a coarse entrance door mat
- Natural rubber with the correct hardness provides skid resistance in both wet and dry environments.

Art.	Name	Color	Size (m)	Height (mm)	Weight (kg)
38.9117630	Ergo Ring	Sort	0,8 x 1,2	23	11
38.9117631	Ergo Ring	Sort	1 x 1,5	23	21
38.9110030	Samlestykke	Sort			

### Ergo Ease



Art.	Name	Color	Size (m)	Height (mm)	Weight (kg)
38.9716230	Ergo Ease	Sort	0,91 x 0,91	14	8,2 kg

**Kan skaffes i terracottarød / Obtained in terracotta red**

Ergo Ease - kongen af aflastning

Ergo Ease er en nitrilgummimåtte med ekstremt gode aflastningsegenskaber og slidstyrke. Pladerne kan sammensættes fleksibelt uden anvendelse af samlingsstykker.

Velegnede til arbejdspladser i industrien med enten tørt eller fedtet miljø.

- Tåler kontakt med varmt værktøj
- Oliebestandig
- Ryg og ben aflastes effektivt, hvilket resulterer i høj produktivitet og lavere sygefravær
- Affasede kanter minimerer risikoen for at snuble - findes ligeledes i gul for markering af arbejdsområde m.v.

Ergo Ease - first-quality strain relief

Ergo Ease is a wear-resistant nitril rubber mat with excellent strain relief. The sheets may be joined together without the use of fittings. Suitable for workplaces in the industrial field in a dry or greasy environment.

Tolerates contact with hot tools

Oil resistant

Back and legs are effectively relieved resulting in a high productivity and less absence due to sickness.

Chamfered edges keep the risk of stumbling to a minimum. Available in yellow to mark the work area etc.

## Ergo Classic



Art.	Name	Color	Size (m)	Weight (kg)
38.5501110	Ergo Classic	Grå	0,61 x 18,3	36 kg
38.5501210	Ergo Classic	Grå	0,91 x 18,3	50 kg
	Ergo Classic	Grå	1,22 x 18,3	



### Skridsikker i vådt og tørt

Ergo Ring bortdræner effektivt væde og spildmateriale, hvilket sikrer en skridsikker overflade at stå på. Den åbne ringkonstruktion giver desuden en god aflastning.

- Kan samles, hvilket giver mulighed for store sammenhængende, skridsikre overflader
- Dræner effektivt, ideel ved bearbejdningsmaskiner eller i våde lokaler
- God som grov dørmåtte i entreer
- Naturgummi med den rette hårdhed giver skridsikkerhed både i tørt og vådt miljø

### Non-skid in wet and dry environment

Ergo Ring effectively drains off wet and waste material, which ensures a non-skid surface. The open annular construction provides an excellent strain relief.

- May be joined together to large coherent non-skid surfaces
- Drains effectively, ideal for machine tools or in wet premises
- Applicable as a coarse entrance door mat
- Natural rubber with the correct hardness provides skid resistance in both wet and dry environments.

## Fingertip

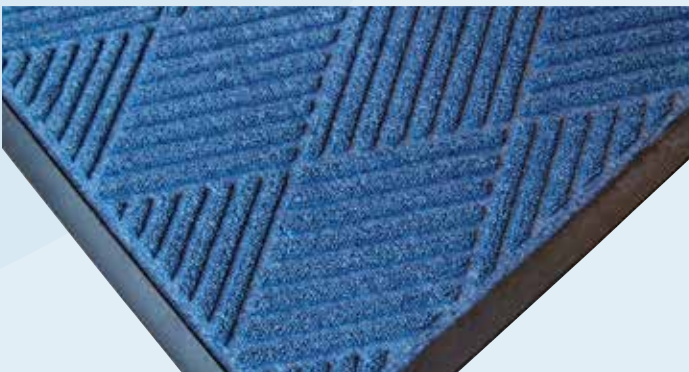


Art.	Name	Color	Size (m)
38.345522	Fingertip	Sort	0,8 x 1

Fingertip gummimåtte med skrå kant.

Fingertip rubber mat with beveled edge.

## Smudsmåtter diamond blue / mat diamond blue



Art.	Color	Size (m)
38.623750	Blue	0,9 x 1,5
38.623752	Blue	0,6 x 0,9
38.623764	Blue	1,2 x 1,8

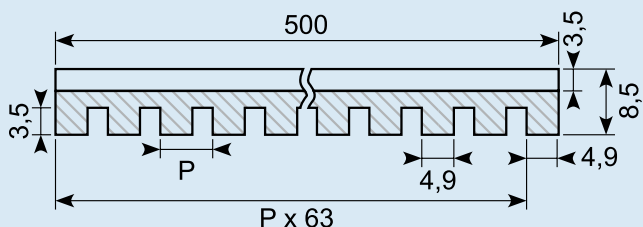
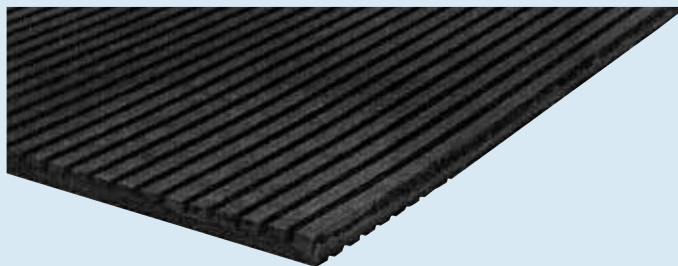
Dørmåtte blå, polypropylen med gummiskråkant. Kan spules med højtryksrensere.

Blue mat, polypropylene with rubber beveled edge. Can be flushed with high-pressure cleaner.

**Kan skaffes i grå / Obtained in grey**

## Gummimåtter / Rubber mats

### Vibrationsmatte / Vibration mat

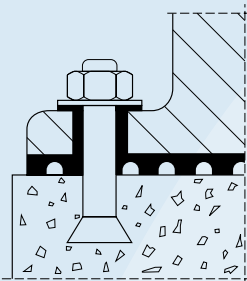


### NR/SB

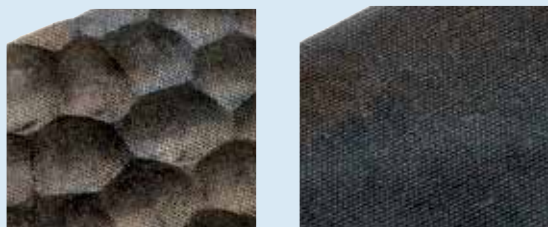
Art.	Thickness (mm)	Width (mm)	Length (mm)	Insertion
37.400	8,5	500	500	0

Sort, kommerciel gummiplade.  
Anvendes mellem maskiner og gulv for at minimere og optage vibrationer.  
Riller på begge sider.  
Bæreevne 5 kg/cm<sup>2</sup>

Black commercial rubber plate.  
To be used between machines and floor in order to minimize and absorb vibrations. Grooves on both sides.  
Carrying capacity of 5 kg/cm<sup>2</sup>.

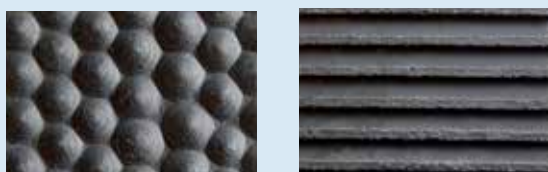


### Komåtte / Cow mat (NR / SBR)



Art.	Width (mm)	Length (mm)	Thickness (mm)	Shore	Density
38.440-6	2.000	30.000	6	65	1,45
38.440-8	2.000	30.000	8	65	1,45
38.440-8X	1.250	10.000	8	65	1,45
38.440-6A	1.750	21.000	6	65	1,45
38.440-8A	1.750	21.000	8	65	1,45

### Komåtte / Cow mat (NR / SBR)



Art.	Thickness (mm)	Width (mm)	Length (mm)
37.260	10	2.000	20.000
37.261 *	10	2.000	4.870
37.262 *	10	2.000	6.522

#### 37.280



Grisemåtte 1.810 x 1.210 x 30 mm.  
Cirkler / hul bund uden indlæg.  
Pigs mat 1.810 x 1.210 x 30 mm.  
Circles / hollow bottom without insert.

#### 37.263



Komåtte 2.200 x 10.000 x 16 mm. Overflade cirkler u/indlæg. Bund ribbet i længderetning.  
Cow mat 2.200 x 10.000 x 16 mm. Surface circles without insert. The bottom ribbed in longitudinal direction.

#### 37.270



Komåtte 1.830 x 1.220 x 17 mm.  
Knopper / ribbet bund uden indlæg.  
Cow mat 1.830 x 1.220 x 17 mm. Studs / ribbed bottom without insert.

### Traileråtte / Trailer mat

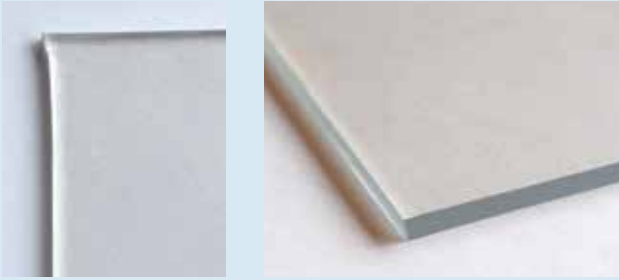


Data	
Gummi / Rubber	NR / SBR
Hårdhed / Hardness - Shore A	65
Densitet / Density - g/cm <sup>3</sup>	1,4
Arbejdstemperatur / Working temperature - °C	-25 +70
Trækstyrke / Tensile strength - N/mm <sup>2</sup>	12

Art.	Thickness (mm)	Width (mm)	Length (mm)
38.422-1350	6	1.350	21.000
38.422-1650	6	1.650	21.000
38.422-1750 *	6	1.750	21.000
38.423-1650	8	1.650	21.000
38.423-1750 *	8	1.750	21.000
38.424-1800 *	8	1.800	21.000

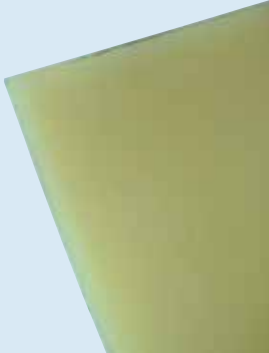
\* Skaffevare / Special order item

## Klar PVC / Transparent PVC



Art.	Thickness (mm)	Width (mm)	Length (mm)
38.449-750 *	3	750	20.000
38.449-1200	3	1.200	20.000
38.450-760 *	4	760	13.000
38.451-1600	5	1.600	20.000
38.452-1200 *	7	1.200	10.000

## Polyurethanplader / Polyurethane plates

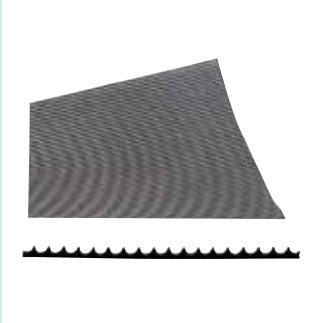


Art.	Thickness (mm)	Width (mm)	Length (mm)	Stock
38.430-5/70	5	2.000	1.000	X
38.430-5/80	5	2.000	1.000	X
38.430-8/70	8	2.000	1.000	X
38.430-8/90	8	2.000	1.000	X
38.430-10/70	10	2.000	1.000	X
38.430-10/90	10	2.000	1.000	X

### Data

Hårdhed / Hardness - Shore A	70	80	90
Forlængelse / Elongation	500	450	400
Arbejdstemperatur / Working temperature - °C	-50 +100	-50 +100	-50 +100
Tear strength - KN/m	50	30	36
Trækstyrke / Tensile strength - N/mm <sup>2</sup>	25	30	35

### 37.221/1G



Material: Grey  
Size: 1.000 x 10.000 x 3 mm

### 38.14124 \*



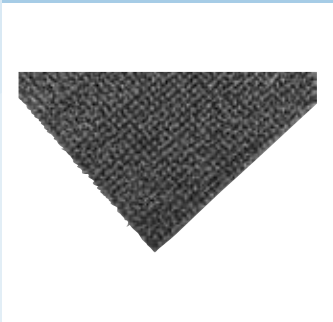
Anti slip plade. Gummigranulat.  
Anti slip plate. Rubber granules.  
8 x 100 x 200 mm  
Min. order: 300

### 38.14572 \*



Anti slip plade. Gummigranulat.  
Anti slip plate. Rubber granules.  
8 x 500 x 5000 mm  
Min. order: 5 m

### 38.9971010 \*



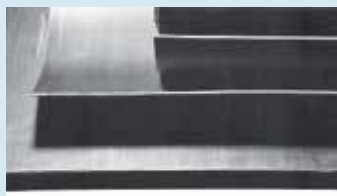
Græsmatte. Grå  
Grass mat. Grey  
900 mm x 16 m

### 38.9971020 \*



Græsmatte. Grøn  
Grass mat. Green  
900 mm x 16 m

## Gummimåtter / Rubber mats



Bus mats EU Semperit  
Material: NR / NBR / NR-SBR

Art.	Width (mm)	Thickness (mm)	Quality	Color	Insert
38.121N *	1.400	1	NBR	Black	0
38.121NX *	1.400	1	NBR	Black	0
38.1215N	1.400	1,5	NBR	Black	0
38.122N *	1.400	2	NBR	Black	0
38.123N *	1.400	3	NBR	Black	0
38.124N *	1.400	4	NBR	Black	0
38.125N *	1.400	5	NBR	Black	0
38.125S *	1.400	5	NBR	Black	0
38.126N *	1.400	6	NBR	Black	0
38.128N	1.400	8	NBR	Black	0
38.128NH	1.400	8	NBR	White	0
38.128S *	1.400	8	NBR	Black	0
38.130N *	1.400	10	NBR	Black	0
38.132N *	1.400	12	NBR	Black	0
38.135N *	1.400	15	NBR	Black	0
38.139N *	1.400	20	NBR	Black	0
38.1215	1.400	1,5	NR / SBR	Black	1
38.1215NH *	1.400	1,5	NR / SBR	White	1
38.122	1.400	2	NR / SBR	Black	1
38.122A *	1.400	2	NR / SBR	Black	2
38.123 *	1.400	3	NR / SBR	Black	1
38.123X *	1.400	3	NR / SBR	Black	Smooth
38.124	1.400	4	NR / SBR	Black	1
38.125 *	1.400	5	NR / SBR	Black	1
38.126 *	1.400	6	NR / SBR	Black	2
38.128 *	1.400	8	NR / SBR	Black	2
38.128SX *	1.400	8	NBR / SBR	Black	Smooth
38.130	1.400	10	NR / SBR	Black	2
38.132 *	1.400	12	NR / SBR	Black	2
38.135 *	1.400	15	NR / SBR	Black	0
38.136 *	1.400	20	NR / SBR	Black	0
38.137 *	1.400	25	NR / SBR	Black	0
38.138 *	1.400	30	NR / SBR	Black	0
38.139 *	1.400	30	NR / SBR	Black	0
38.140 *	1.400	50	NR / SNR	Black	0
38.122EPDM	1.400	2	EPDM	Black	0
38.123EPDM	1.400	3	EPDM	Black	0



Rubber cork  
Material: NR / NBR / NR-SBR

Art.	Size (mm)	Thickness (mm)	Quality
38.201.5	1.000 x 1.000	1,5	1.235
38.202	1.000 x 1.000	2	1.235
38.203	1.000 x 1.000	3	1.235
38.204	1.000 x 1.000	4	1.235
38.205	1.000 x 1.000	5	1.235
38.205R *	1.060 x 13.000	5	1.235

Min. order: 4 rl.



50.241NR



T-strap  
Material: NR  
Length: 150 mm

50.245NR



T-ladder  
Material: NR  
Length: 160 mm

50.245H



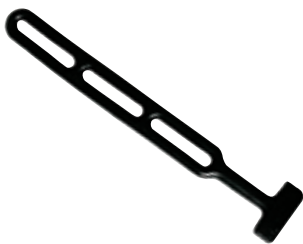
T-ladder  
Material: White EPDM  
Length: 160 mm

50.242NR



T-strap  
Material: NR  
Length: 250 mm

50.246NR



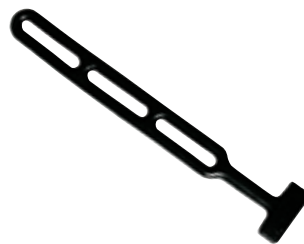
T-ladder  
Material: NR  
Length: 260 mm

50.265-10



Combi strap  
Material: NR  
Length: 275 x 25 mm  
(10 pcs. package)

50.246-10



T-ladder  
Material: NR  
Length: 280 x 30 mm  
(10 pcs. package)

50.265



Combi strap  
Material: EPDM  
Length: 280 mm

50.266



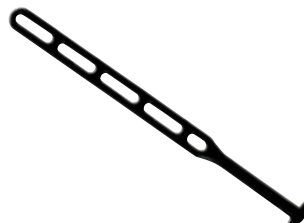
Combi strap  
Material: EPDM  
Length: 360 mm

50.247-10



Combi strap  
Material: NR  
Length: 365 x 25 mm  
(10 pcs. package)

50.247NR



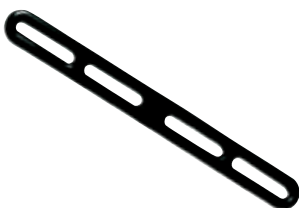
Combi strap  
Material: NR  
Length: 380 mm

50.275



POP ladder  
Material: EPDM  
Length: 200 mm

50.244NR



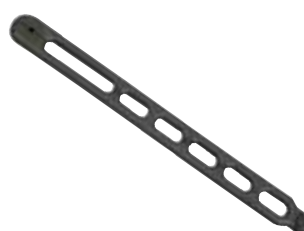
Strap  
Material: NR  
Length: 260 mm

50.271



Strap  
Material: EPDM  
Length: 270 mm

50.276



POP ladder  
Material: EPDM  
Length: 275 mm

50.264-10



Strap  
Material: NR  
Length: 285 x 30 mm  
(10 pcs. package)

## Gummistropfer / Rubber straps

50.264



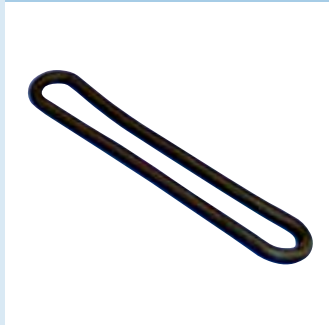
Strap  
Material: NR  
Length: 290 mm

50.261



Strap  
Material: EPDM  
Length: 200 mm, Ø 8 mm

50.263



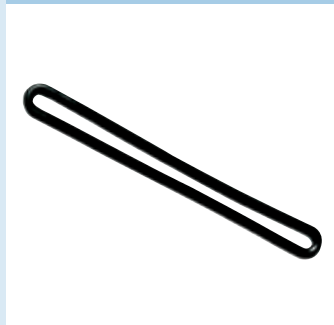
Strap  
Material: EPDM  
Length: 200 mm, Ø 7 mm

50.263K



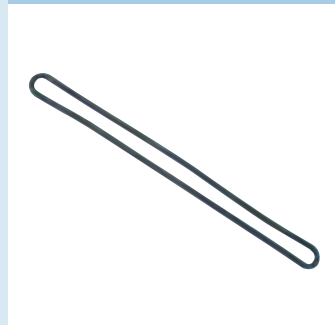
Strap with hook  
Material: NR  
Length: 200 mm

50.243NR



Strap  
Material: NR  
Length: 260 mm

50.267NR



Strap  
Material: NR  
Length: 400 mm

50.267



Strap  
Material: EPDM  
Length: 400 mm

50.269



Ring  
Material: EPDM  
Length: Ø 106 mm / 86 mm

50.13621



Strap with hook and eye  
Length: 20 x 490 mm

50.280



Strap with hook and eye  
Length: Strop 480 mm  
Total 610 mm

50.250



Ladder strap  
Material: SBR  
Length: 10 m

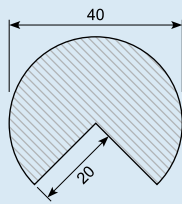


Luggage strap

Art.	Measure (mm)
79.051	600
79.051A	700
79.052	900
79.053	1.250
79.054	1.750
79.055	3.000

**39.BUMPER**

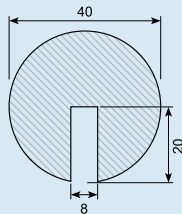
Type A. Sort og gul.  
1.000 mm lang.  
Selvklæbende.



Type A. Black and yellow.  
1.000 mm long.  
Adhesive.

**39.BUMPERB**

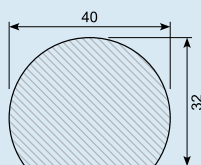
Type B. Sort og gul.  
1.000 mm lang.  
Selvklæbende.



Type B. Black and yellow.  
1.000 mm long.  
Adhesive.

**39.BUMPERC**

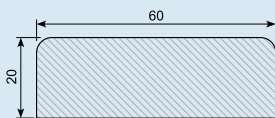
Type C. Sort og gul.  
1.000 mm lang.  
Selvklæbende.



Type C. Black and yellow.  
1.000 mm long.  
Adhesive.

**39.BUMPERD \*\***

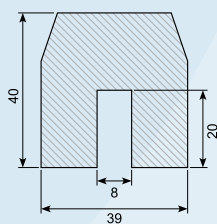
Type D. Sort og gul.  
1.000 mm lang.  
Selvklæbende.



Type D. Black and yellow.  
1.000 mm long.  
Adhesive.

**39.BUMPERE**

Type E. Sort og gul.  
1.000 mm lang.  
Selvklæbende.

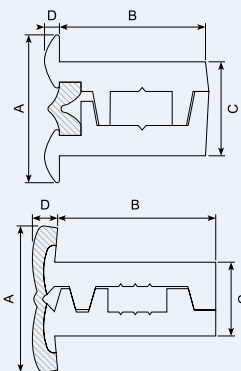


Type E. Black and yellow.  
1.000 mm long.  
Adhesive.

## Centraflex

**Centraflex. Vandtæt stanghængsel med polyester-kerne og PVC-flanger. Tillader 180 gr. åbning. Stor styrke og høj elasticitet. Sort finish. Længde: 2000 mm.**

Weather-proof continuous hinge with polyester-core and synthetic flanges. 165° opening, 28 mm face. High strength and excellent flexibility. Black finish. Length: 2000 mm.



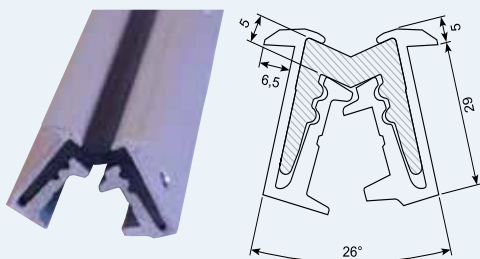
Art.	A mm	B mm	C mm	D mm	L mm
20.6020	28	23	16	4	2.000
20.6025	28	23	16	4	2.500
20.6030	28	23	16	4	3.000

Art.	A mm	B mm	C mm	D mm	L mm
20.6120	30	34	16	4,5	2.000
20.6125	30	34	16	4,5	2.500
20.6130	30	34	16	4,5	3.000

## Poliall

**Poliall stanghængsel, vandtæt. Med PU kerne og aluminiumsflanger. Tillader 180 gr. åbning. Forboret med 5 mm huller i flange.**

Poliall rod hinge, waterproof. With PU core and aluminum flanges. Allows 180 degree opening. Pre drilled with 5 mm holes in flange.

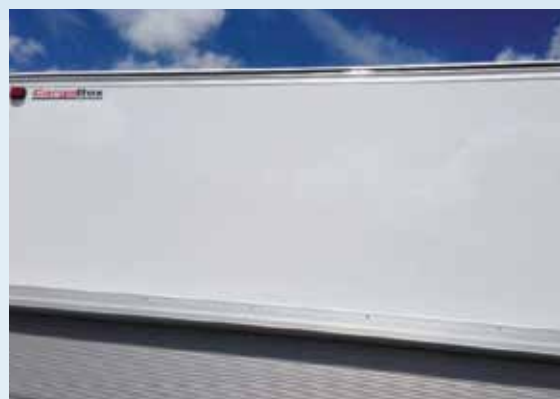
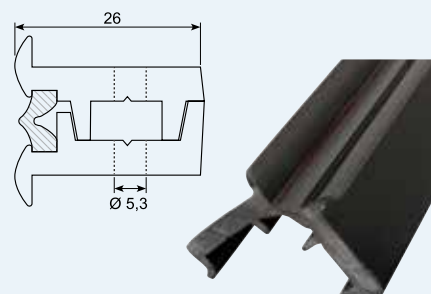


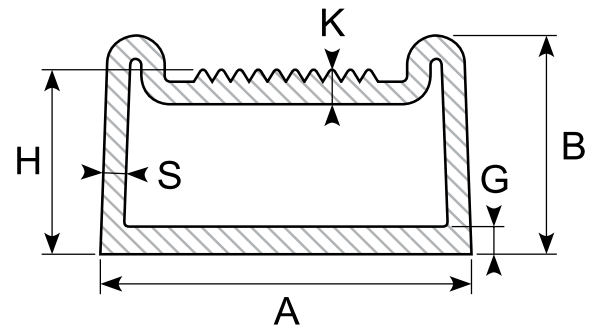
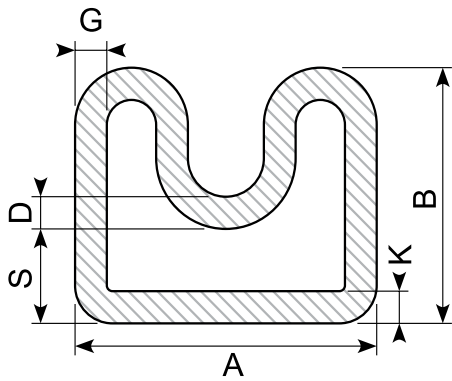
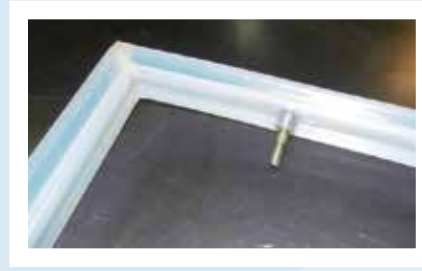
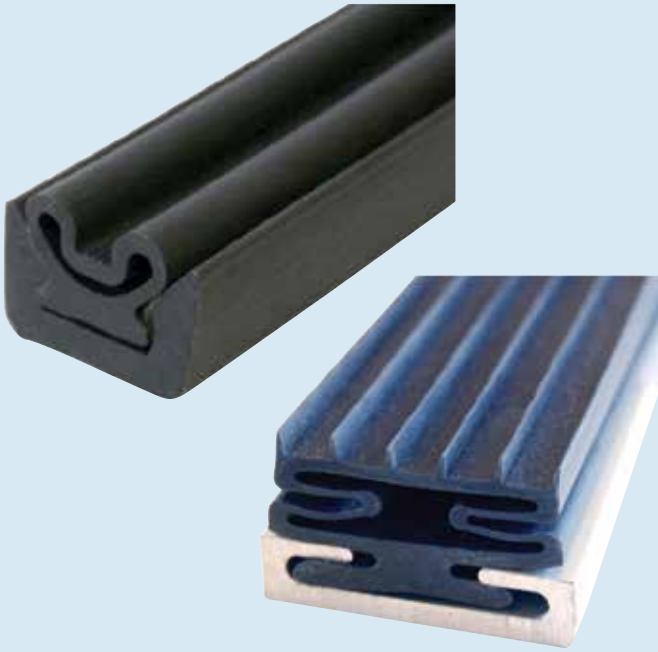
Art.	B mm	L mm
54.261700JC-5	29	2.054
54.261700JX-5	29	2.200
54.261700JD-5	29	2.240
54.261700J-5	29	2.400
54.261720J-5	29	2.700
54.261740J-5	29	3.000
54.261760J-5	29	3.200
54.261780J-5	29	4.000

## 20.13002

**Co-extruderet PVC-hængsel. 1.678 mm med Ø 5,3 mm forborede huller. Kun til lette opgaver.**

Co-extruded PVC hinge. 1678 mm, ø 5.3 mm holes pre-drilled holes. Only for light tasks.

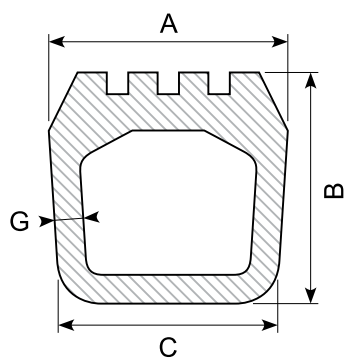




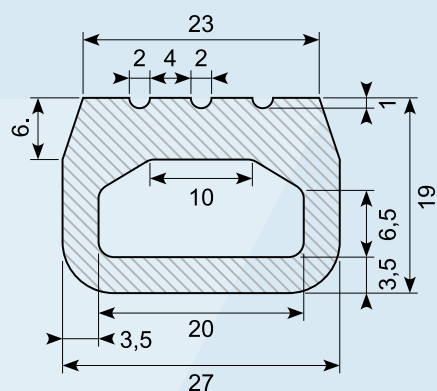
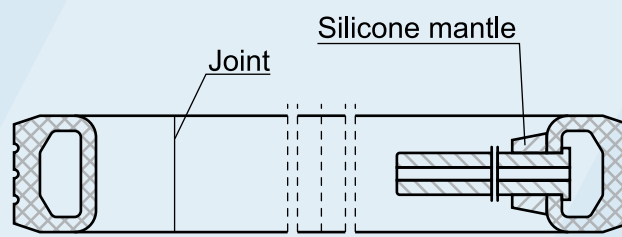
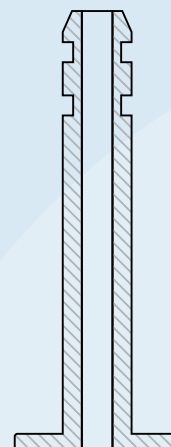
Art.	A	B	D	G	K	S	Hardness SH A
30.0192-2819 *	16	14	1,8	1,8	1,8	4,9	65
30.0192-3161 *	18	15,5	2	2	2	6	60
30.0192-3375 *	18	15,5	2	2	2	2	60
30.0192-3877 *	24	20	2,5	2,5	2,5	5	60
30.0192-4588 *	18,5	17	2	2	2	9	60
30.0192-4633 *	26	20	3	3	3	8,2	60
30.0192-4634 *	35	32	5	5	5	17,6	60
30.0192-4733 *	18,7	18/ 16,6	2	2	2	7,9	60
30.0192-4756 *	16	17	1,5	1,5	1,5	10	60
30.0192-4926 *	27	20	4	4	4	10	60
30.0192-4947 *	22	16	3	3	3	6	60
30.0192-10322 *	30	15	3	3	3	3,7	60
30.0192-10680 *	25,3	20	2,7	2,7	2,7	7,3	60
30.0192-10927 *	26,5	20	3	3	3	9	60
30.0192-10963 *	17	14	2	2	2	5	60
30.0192-11007 *	26	20	3	3	3	8,5	60
30.0192-11016 *	46	34	3	3	5	9	60
30.0192-11484 *	35	34	3	3	3	17	60
30.0192-11800 *	10	10	1,5	2	2	5	60
30.0192-12418 *	45	34	3	3	5	9	60
30.0192-12642 *	21	15	2	2	2	8	60

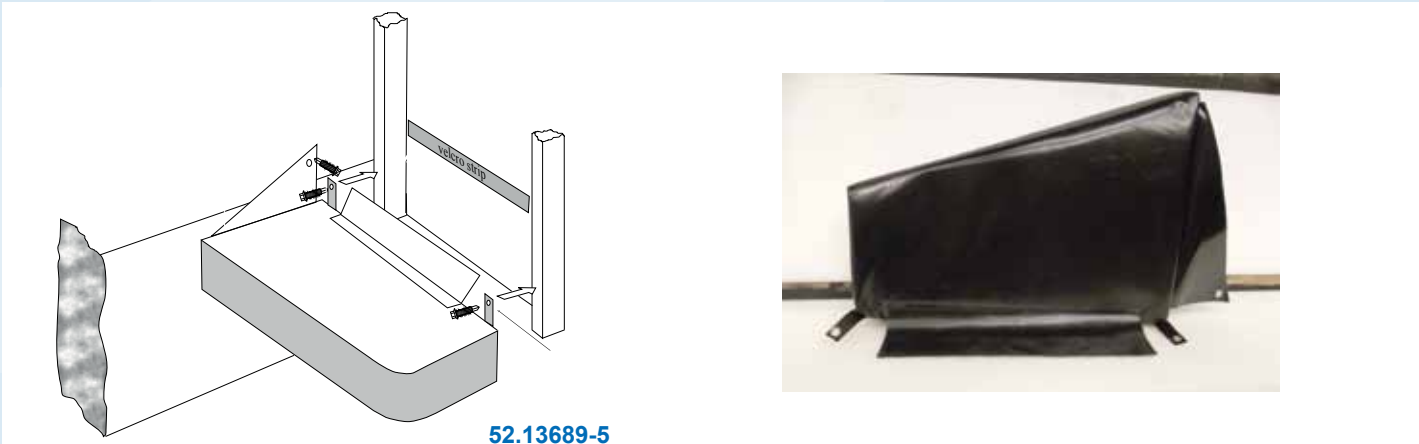
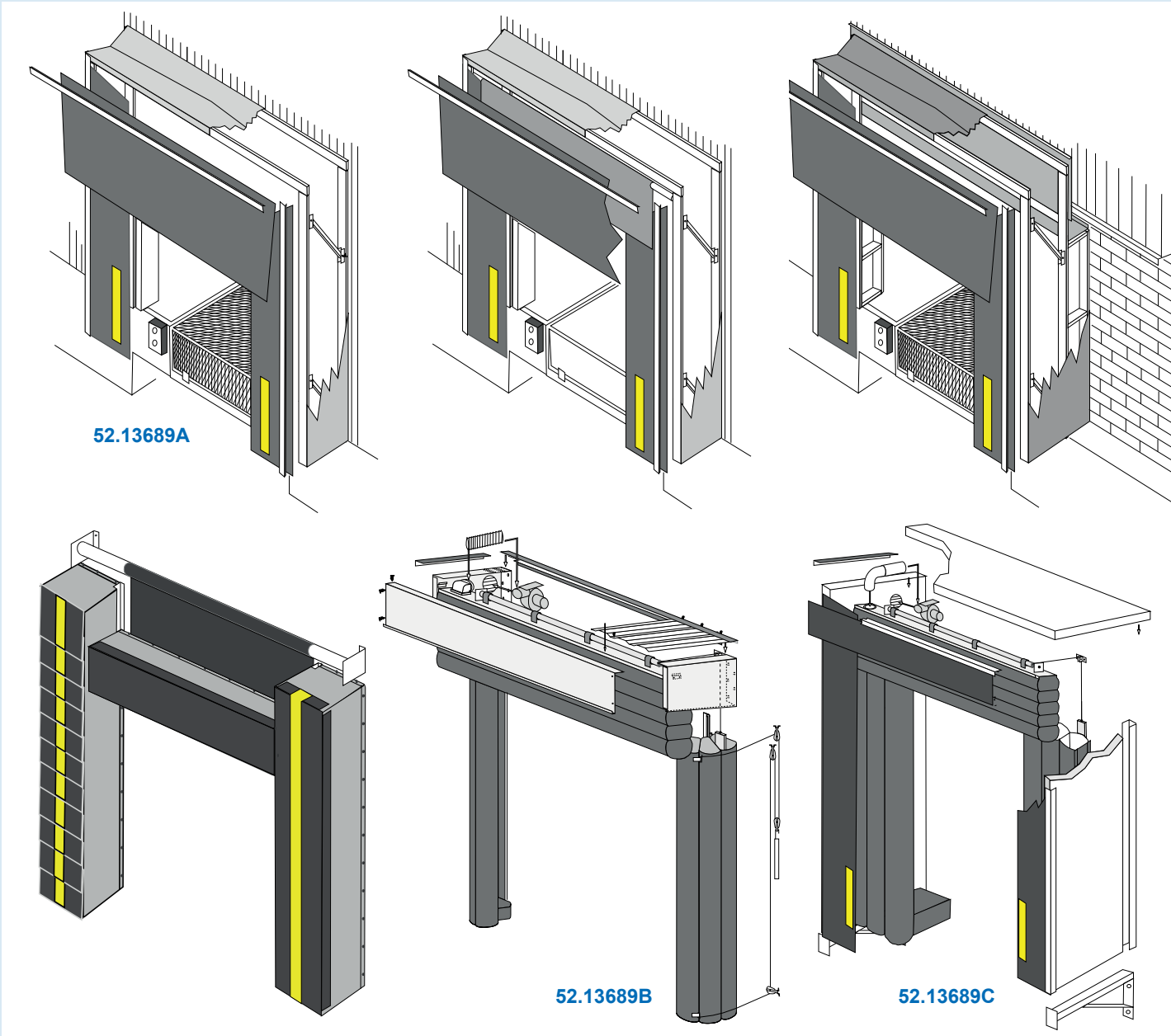
Art.	A	B	G	H	K	S	Hardness SH A
30.0192-2076 *	16	10	2	10	2,5	1	50
30.0192-2969 *	17	9,5	1,2	8	1,5	1	76
30.0192-3214 *	16	9,5	1,2	8	1,5	1	76
30.0192-3414 *	8,6	8,3	1,2	7,5	1,4	1,2	60
30.0192-3415 *	12	8,5	1,2	7,7	1,4	1,2	60
30.0192-3739 *	17	8,5	1,5	7	2	1	76
30.0192-4792 *	16	7,5	1,2	7	1,5	1	60
30.0192-4906 *	12	8	1,2	6,3	1,5	1,2	60
30.0192-10966 *	30	30,3	4	33,5	9,9	4	60
30.0192-11527 *	17	8,5	1,2	7	1,5	1	60

## Ventil eksempel / Valve example



Art.	A	B	C	G	Hardness SH A
30.0192-0374 *	16	20	15	2,5	50
30.0192-0460 *	17	18	17	3,5	50
30.0192-0431 *	34	35	35	5	60
30.0192-0459 *	17	18	15	2,5	50
30.0192-1345 *	16	18	16	2,5	50
30.0192-1494 *	14	11	14	2/2,25	60
30.0192-1744 *	35	33	35	5,5	55
30.0192-1768 *	27	19	27	3,5	50
30.0192-1881 *	36	26,9	36	5	55
30.0192-1949 *	17,5	20	17,5	3	45
30.0192-2029 *	14	14	15,5	2,5	50
30.0192-2067 *	16,5	16	15	2	55
30.0192-2364 *	35	32	35	5	60
30.0192-2408 *	16,5	13	16,5	2,5	55
30.0192-2845 *	14	11	13	2	60
30.0192-3365 *	14	10	14	2	60
30.0192-3497 *	27,5	25	27,5	3	60
30.0192-3551 *	33,5	32	35	5	60
30.0192-3588 *	16	14	16	2	60
30.0192-3616 *	15,5	18	15,5	2	60
30.0192-3693 *	53	41,5	53	5	60
30.0192-3845 *	35	32	35	4	60
30.0192-3900 *	35	32	35	5	60
30.0192-4626 *	34	25	34	5	60
30.0192-4690 *	35	32	35	4,5	60
30.0192-4973 *	15,2	13,6	16,2	2	55
30.0192-10142 *	16	12	16	2,5	60
30.0192-10318 *	35	31	35	4,5	65
30.0192-10358 *	21	24	21	3	60
30.0192-10389 *	16	12	16	2	60
30.0192-10519 *	16	12	16	2	60
30.0192-10947 *	35	32	35	3,3	55
30.0192-11093 *	13,6	10	13,6	2	55
30.0192-11137 *	14	14	14	3	60
30.0192-11278 *	17	9	17	2	55
30.0192-11342 *	32,5	32	35	5	60
30.0192-11385 *	33,5	30	35	5	60
30.0192-11550 *	34	35	35	5	70
30.0192-11937 *	22	20	22	3	60
30.0192-11991 *	33,7	32	33,7	5	60
30.0192-12300 *	35	31,5	35	5	60
30.0192-12398 *	35	35	35	4,3	60
30.0192-12442 *	14	10	14	1,7	50
30.0192-12465 *	35	33	35	4	60





## Portsluser og tilbehør / Dock shelters

39.1501 \*



Front plate  
440 x 250 x 62 mm  
Weight: 16 kg  
For buffer [39.642X](#)

39.1502 \*



Front plate  
415 x 215 x 62 mm  
Weight: 14 kg  
For buffer [39.643X](#)

39.1503 \*



Back plate for welding  
450 x 250 x 15 mm  
Weight: 15 kg

39.1504 \*



Back plate galvanized  
450 x 250 x 15 mm  
Weight: 15 kg

39.1505 \*



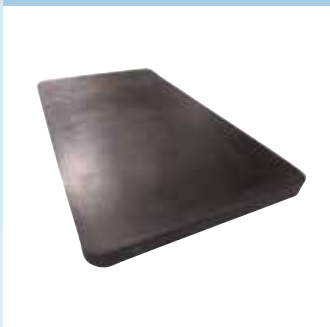
Packer  
450 x 250 x 10 mm  
Weight: 1,3 kg  
Rubber spacer

39.1506 \*



Packer  
450 x 250 x 15 mm  
Weight: 2,3 kg  
Rubber spacer  
Holes as an option

39.1507 \*



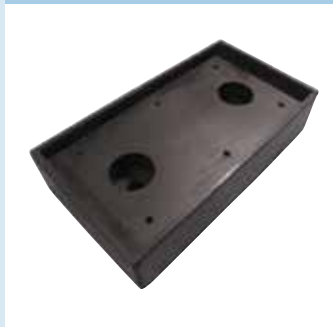
Packer  
450 x 250 x 20 mm  
Weight: 2,8 kg  
Rubber spacer  
Holes as an option

39.1508 \*



Packer  
450 x 250 x 50 mm  
Weight: 5,5 kg  
Rubber spacer

39.1509 \*



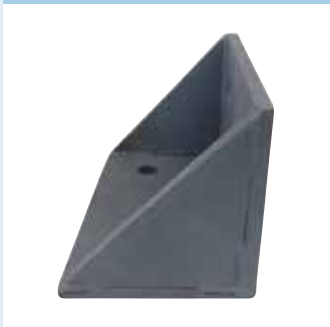
Dock bumper accessory  
450 x 250 x 100 mm  
Weight: 10 kg  
Buffer for PE plate

39.1510 \*



Front plate. Hardwearing PE  
410 x 210 x 35 mm  
Weight: 2,5 kg

39.1511 \*



Dock bumper accessory  
250 x 150 x 150 mm  
Weight: 8,1 kg  
For mount of buffer 150 mm over  
ramp level

39.1512 \*



Dock bumper accessory  
250 x 250 x 150 mm  
Weight: 12 kg  
For mount of buffer 150 mm over  
ramp level

39.1513 \*



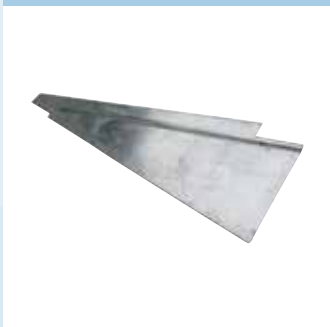
Front plate  
440 x 440 x 62 mm  
Weight: 13,5 kg

39.1514 \*



Packer  
450 x 450 x 15 mm  
Weight: 2,3 kg  
Rubber spacer for [39.651A](#)

39.1515 \*



Dock bumper accessory  
1.470 x 540 (max.) x 100 mm  
(min.)  
Weight: 12 kg  
Toe protection

\* Skaffevarer / Special order item



**39.1616 \***



Packer  
750 x 250 x 15 mm  
Weight: 3,6 kg  
Rubber spacer

**39.1617 \***



Packer  
750 x 250 x 20 mm  
Weight: 10,5 kg  
Rubber spacer

**39.1618 \***



Packer  
750 x 250 x 50 mm  
Weight: 10,5 kg  
Rubber spacer

**39.1819 \***



Front plate  
732 x 250 x 62 mm  
Weight: 26 kg  
For buffer [39.649](#)

**39.1620 \***



Back plate for welding  
750 x 250 x 15 mm  
Weight: 24 kg

**39.1621 \***



Back plate. Galvanized  
750 x 250 x 15 mm  
Weight: 24 kg

**39.1622**



Back plate for 450 mm buffer  
720 x 250 x 66 mm  
Weight: 32 kg  
Spring loaded. Follows the truck when loading.

**39.1623 \***



Back plate for 750 mm buffer  
965 x 250 x 66 mm  
Weight: 47 kg  
Spring loaded. Follows the truck when loading.

**39.1624 \***



Dock bumper accessory  
750 x 250 x 100 mm  
Weight: 17 kg  
Buffer for PE plate

**39.1625 \***



Front plate. Hardwearing PE.  
710 x 210 x 35 mm  
Weight: 4,5 kg

**39.654 \***



Dock bumper L  
750 x 400 x 100 mm  
Weight: 36 kg

**39.655 \***



Dock bumper L  
750 x 400 x 100 mm  
Weight: 36 kg

**39.1626 \***



Front plate. Galvanized  
750 x 400 x 100 mm  
Weight: 36 kg

**39.1627 \***



Front plate. Galvanized  
750 x 400 x 100 mm  
Weight: 36 kg

**39.1628 \***



Back plate. Galvanized  
750 x 400 x 100 mm  
Weight: 34 kg

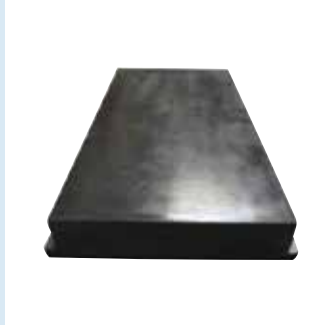
**39.1629 \***



Back plate. Galvanized  
750 x 400 x 100 mm  
Weight: 34 kg

## Portsluser og tilbehør / Dock shelters

39.1630 \*



Front plate. Hardwearing rubber  
448 x 248 x 50 mm  
Weight: 7 kg

39.1631 \*



Front plate. Hardwearing PE  
450 x 250 x 50 mm  
Weight: 5 kg

39.1632 \*



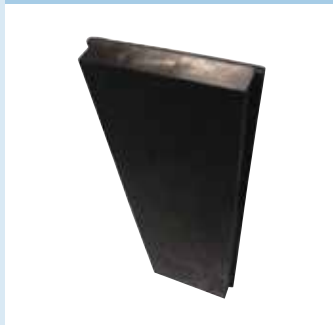
Back plate. Galvanized  
450 x 250 x 60 mm  
Weight: 11 kg  
Remember rubber spacer

39.1633 \*



Back plate. Galvanized  
470 x 270 x 120 mm  
Weight: 21 kg  
Remember rubber spacer

39.1634 \*



Front plate. Hardwearing rubber  
750 x 250 x 50 mm  
Weight: 12 kg  
Alternative to 39.1635

39.1635 \*



Front plate. Hardwearing PE  
750 x 250 x 50 mm  
Weight: 8 kg

39.1636 \*



Back plate. Galvanized  
770 x 270 x 80 mm  
Weight: 26 kg  
Remember rubber spacer

39.1637 \*



Back plate. Galvanized  
770 x 270 x 120 mm  
Weight: 34 kg  
Remember rubber spacer

39.1638 \*



Trailer plate  
1.000 x 1.000 x 2,5 mm  
Weight: 26,5 kg  
To protect the concrete in front of  
loading ramp

39.1639 \*



Trailer plate PE  
1.000 x 1.000 x 20 mm  
Weight: 18,5 kg

39.1640 \*



Wheel guide  
Ø165 mm, 5 mm, 300 mm depth.  
Mounting plate: 250 x 250 x 10  
mm.  
Weight: 8,5 kg

39.1641 \*



Wheel guide  
Ø165 mm, 5 mm, 2.085 x 250 x  
365 mm.  
Color: Yellow RAL 1028  
Weight: 90 kg

39.1642 \*



Wheel guide  
Ø165 mm, 5 mm, 2.070 x 600 x  
365 mm. Yellow RAL 1028.  
Weight: 90 kg  
Can be ordered in hot-dipped.

39.1643 \*



Wheel guide  
2.070 x 250 x 200 mm  
Color: Yellow RAL 1028  
Weight: 78 kg

39.1644 \*



Wheel guide. Hot dipped.  
Ø165 mm, 5 mm, 3.000 x 600 x  
365 mm

S10.3301



Dolphin knife

S10.3303



10 pcs. blades for S10.3301

S10.3311



Utility knife

S10.3313



10 pcs. blades for S10.3311

S10.3312



Utility knife

S10.3314



10 pcs. blades for S10.3312

83.842



Profile cutter

84.930



Tool set for inserting filler sections in glazing sections. Eyelet Ø 9,5 mm.

84.931



Tool for filler sections

84.932T



Tool for glazing sections with wooden handle

84.934X



7 mm eyelet for 84.931

84.934



9,5 mm eyelet for 84.931

84.935



10,5 mm eyelet for 84.931

84.840084



Cold cut knife

84.961



Cold cut knife blade for 84.840084. 19 mm.

84.961A: 25 mm

84.961B: 35 mm

87.705I



Terokal 2444, 340 g  
Excellent contact adhesive, based on CR, for rubber/rubber - and rubber/metal bonding.

87.727



Terokal 914, 680 g  
Transparent contact adhesive, based on NBR. Very good for PVC.

87.082020



Cyanoacrylate adhesive  
20 g

87.770/10



Loctite 770(7239), 10 g  
Primer which improves the adhesion on materials which are difficult to glue e.g. thermoplastic rubber types. Is to be used together with Loctite 401 / 406 / 431 / 454 or 4850

87.1034



Sicom 50, 3 g  
Excellent for EPDM

87.1035



Sicom 8300, 20 g  
Excellent for sponge rubber

87.1739



Terodicht Elastik, 310 ml  
IK sealant, based on synthetic rubber - black

87.1738



Terodicht schwarz, 310 ml  
IK sealant, based on buthyl rubber - grey

87.2000



Dual component adhesive.  
Total weight: 1 kg

87.52759



Terostat 2759, 310 ml.  
Easy to dab off. IK sealant, based on buthyl rubber. Grey.  
87.52759X: 570 ml

87.51989



Terostat 930, sort 310 ml.  
87.51999F: 570 ml

87.723



Spray glue. Loctite 3923.

30.shore20-90



Shore samples with logo.  
Silicone rubber.

30.shoreA



Shore A hårdhedsmåler  
Shore A hardness tester

30.shoreD



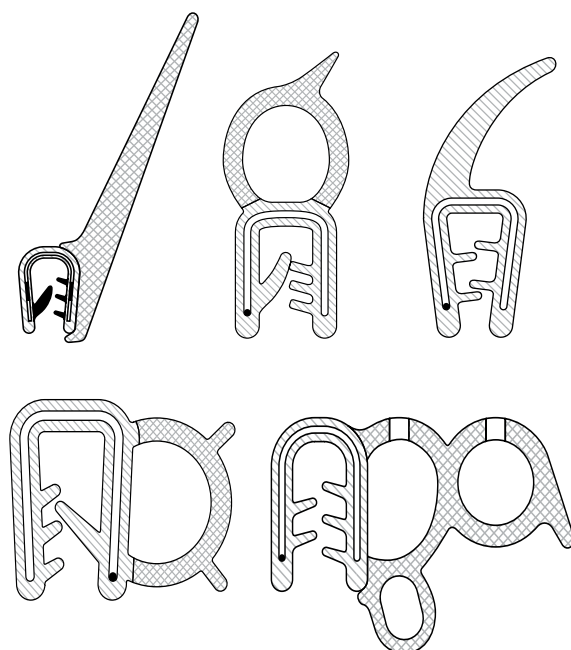
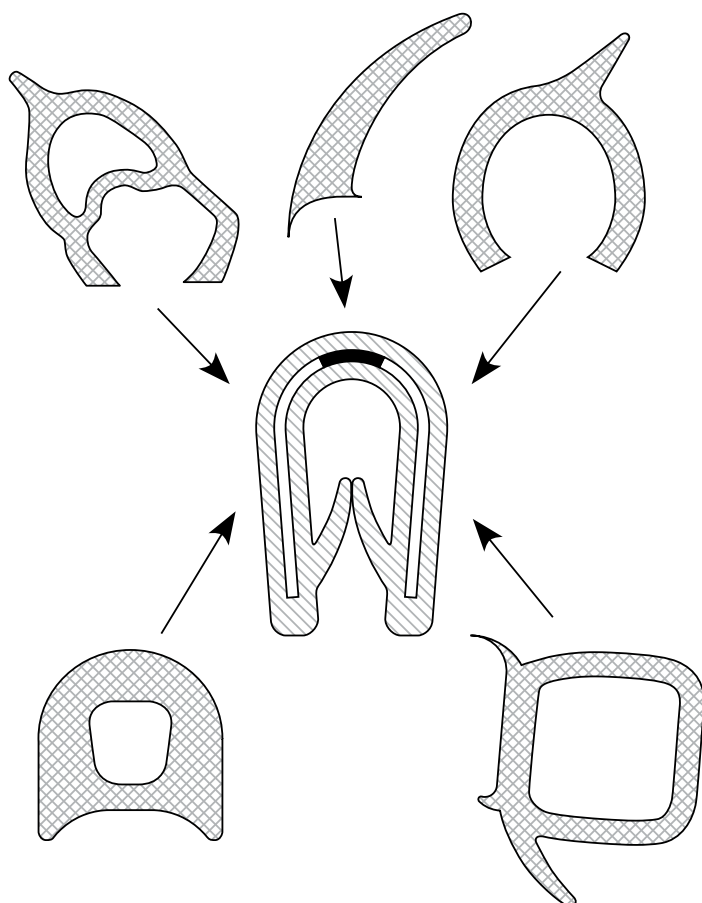
Shore D hårdhedsmåler  
Shore D hardness tester

Dimensional tolerances for moulded, extruded and calendered solid rubber products.  
(GB/T 3672-92) ISO3302-1998

Rubber thickness (mm)	E1 ± (mm)	E2 ± (mm)	E3 ± (mm)
0 - 1,5	0,15	0,25	0,4
1,5 - 2,5	0,2	0,35	0,5
2,5 - 4	0,25	0,4	0,65
4 - 6,3	0,35	0,5	0,8
6,3 - 10	0,4	0,65	1
10 - 16	0,5	0,8	1,3
16 - 25	0,65	1	1,6
25 - 40	0,8	1,3	2
40 - 63	1	1,6	2,5
63 - 100	1,3	2	3,2

## Edge trims

Configure your own edge trim or choose from the 2.000 different we have in stock.



# Varenummerindex / product number index

Vare Art.	Side Page	Vare Art.	Side Page	Vare Art.	Side Page	Vare Art.	Side Page	Vare Art.	Side Page	Vare Art.	Side Page
20.13002	98	30.0192-4973	100	30.120E	18	30.182	38	30.7696	19	31.018X	33
20.6020	98	30.10036	28	30.120NBR	18	30.190	24	30.7770	22	31.021S	33
20.6025	98	30.101.25	18	30.121E	18	30.21101205	36	30.7780/4	22	31.022S	33
20.6030	98	30.101.5	18	30.122CR	18	30.2151	21	30.7811	26	31.025S	33
20.6120	98	30.101	18	30.122E	18	30.2151S	21	30.7845	27	31.035S	37
20.6125	98	30.102	18	30.122NBR	18	30.216S	19	30.7853X	20	31.036SI-LTC	37
20.6130	98	30.102E	18	30.124E	18	30.218S	19	30.7932	20	31.036SI	37
30.0192-0374	100	30.103.5CR	18	30.12553-2	24	30.220L	19	30.7933	20	31.037	37
30.0192-0431	100	30.103.5NBR	18	30.125CR	18	30.22381	38	30.7935	20	31.037SI	37
30.0192-0459	100	30.103CR	18	30.125E	18	30.23464	19	30.798	25	31.038SI	37
30.0192-0460	100	30.103E	18	30.125NBR	18	30.2438	25	30.7987	35	31.041S	33
30.0192-10142	100	30.103NBR	18	30.12759	19	30.2449	35	30.8199	22	31.042S	33
30.0192-10318	100	30.103SIH	18	30.12896	35	30.2455	35	30.8199W	22	31.043S	34
30.0192-10322	99	30.104.5CR	18	30.12932-1	35	30.2566	21	30.8270	24	31.047	33
30.0192-10358	100	30.104.5E	18	30.12932-2	26	30.257S	22	30.8331	25	31.048	36
30.0192-10389	100	30.104.5NBR	18	30.12932-3	19	30.258	22	30.8439	40	31.050	36
30.0192-10519	100	30.10461-2	27	30.12932-4	19	30.262S	19	30.8469	20	31.060S	33
30.0192-10680	99	30.10485	27	30.12957-1	20	30.2653	22	30.8538	39	31.061S	34
30.0192-10927	99	30.104CR	18	30.12957-2	20	30.29168	19	30.8538B	39	31.063	33
30.0192-10947	100	30.104E	18	30.12957-3	21	30.29300-129	26	30.9215	28	31.064	34
30.0192-10963	99	30.104NBR	18	30.13049-1	27	30.29300-130	26	30.9387-1	28	31.065S	34
30.0192-10966	99	30.104SIH	18	30.13049-2	27	30.2984-1	36	30.9387-2	27	31.066	34
30.0192-11007	99	30.105.3CR	18	30.13049-4	27	30.2984-2	36	30.9437-100	29	31.068S	34
30.0192-11016	99	30.105.3NBR	18	30.13049-5	27	30.2984-3	36	30.9437-125	29	31.070S	35
30.0192-11093	100	30.105.7CR	18	30.13062	26	30.2984-5	36	30.9437-160	29	31.071S	35
30.0192-11137	100	30.105.7NBR	18	30.13066	78	30.2984-6	36	30.9437-200	29	31.072	26
30.0192-11278	100	30.105CR	18	30.13086	33	30.313	23	30.9437-250	29	31.074S	35
30.0192-11342	100	30.105E	18	30.130CR	18	30.314S	23	30.9437-315	29	31.112S	42
30.0192-11385	100	30.105NBR	18	30.130NBR	18	30.315S	23	30.9437-400	29	31.116S	42
30.0192-11484	99	30.106.5CR	18	30.13144	49	30.315SB	23	30.9437-500	29	31.145S	42
30.0192-11527	99	30.106.5NBR	18	30.13186-1	64	30.324S	21	30.9519	35	31.148	42
30.0192-11550	100	30.106CR	18	30.13186-2	64	30.324SB	21	30.9548	33	31.155	42
30.0192-11800	99	30.106E	18	30.13186-3	64	30.325X	21	30.9691-2	19	31.216GS	34
30.0192-11937	100	30.106NBR	18	30.13186-4	64	30.331	20	30.9691-3	21	31.216ST	34
30.0192-11991	100	30.106SIH	18	30.13186-5	64	30.333	20	30.9691-5	19	31.365	42
30.0192-12300	100	30.107.5CR	18	30.13186-6	64	30.340	25	30.9826-1	28	31.369	24
30.0192-12398	100	30.107.5NBR	18	30.13186-7	64	30.4437	25	30.9826-2	28	31.4281	58
30.0192-12418	99	30.10777-1	35	30.13186-8	64	30.4469	27	30.9884S	49	31.6701	42
30.0192-12442	100	30.107CR	18	30.13242	28	30.50967	23	30.9884X	37	31.6702	42
30.0192-12465	100	30.107E	18	30.132CR	18	30.5179	25	30.9885	37	31.6703	42
30.0192-12642	99	30.107NBR	18	30.132NBR	18	30.5550M	22	30.9906	63	31.702	27
30.0192-1345	100	30.108.4CR	18	30.13315	49	30.5560	22	30.9996-10	20	31.OT2179	39
30.0192-1494	100	30.108.4NBR	18	30.13421	23	30.5596	27	30.9996-4	28	32.009S	43
30.0192-1744	100	30.108CR	18	30.13447-8	25	30.5881	21	30.9996-5	28	32.010	43
30.0192-1768	100	30.108E	18	30.13503	28	30.5981	22	30.9996-6	28	32.016S	40
30.0192-1881	100	30.108NBR	18	30.13535	35	30.600	19	30.A018615	19	32.034S	40
30.0192-1949	100	30.108SIH	18	30.135E	18	30.601	19	30.A02005	19	32.036S	40
30.0192-2029	100	30.109.5CR	18	30.136/45	38	30.602	19	30.A02505	19	32.036X	40
30.0192-2067	100	30.109.5NBR	18	30.136	38	30.6487	39	30.A03006	19	32.044S	40
30.0192-2076	99	30.109CR	18	30.136NBR	38	30.6622	34	30.A03305	19	32.046S	40
30.0192-2364	100	30.109E	18	30.13796	27	30.6622N	34	30.A03310	19	32.047	40
30.0192-2408	100	30.109NBR	18	30.13841	23	30.6648	21	30.A05005	19	32.057	41
30.0192-2819	99	30.110CR	18	30.1386	34	30.6724	34	30.A05010	19	32.064S	41
30.0192-2845	100	30.110E	18	30.138NBR	38	30.6759	22	30.A05808	19	32.066	41
30.0192-2969	99	30.110NBR	18	30.138S	38	30.6944	22	30.A06705	19	32.075	41
30.0192-3161	99	30.111CR	18	30.140	38	30.7106	23	30.A06710	19	32.095S	41
30.0192-3214	99	30.111NBR	18	30.14053	23	30.7249	26	30.A07505	19	32.1024S	40
30.0192-3365	100	30.112CR	18	30.14098-2	21	30.7266	26	30.A10005	19	32.1025S	40
30.0192-3375	99	30.112E	18	30.140CR	18	30.7300/4	22	30.A10010	19	32.1025SK	40
30.0192-3414	99	30.112NBR	18	30.140NBR	18	30.7300/4Y	22	30.OT0136	35	32.1037S	41
30.0192-3415	99	30.113CR	18	30.141	25	30.7300	22	30.OT101	38	32.1045S	41
30.0192-3497	100	30.113E	18	30.14130	24	30.7367	19	30.OT1024	19	32.1045SK	40
30.0192-3551	100	30.113NBR	18	30.14163-1	25	30.7408X	38	30.OT1024B	19	32.1301	43
30.0192-3588	100	30.11459	34	30.14163	25	30.7411	26	30.OT1057	38	32.1640	41
30.0192-3616	100	30.114CR	18	30.14227	36	30.7507	27	30.OT1081	39	32.165	41
30.0192-3693	100	30.114E	18	30.142S	25	30.7508	35	30.OT1092	27	32.2024CR	40
30.0192-3739	99	30.114NBR	18	30.14356	36	30.7509	35	30.OT1387	24	32.2024M	40
30.0192-3845	100	30.115CR	18	30.144	25	30.7519	36	30.OT2036	38	32.2045M	40
30.0192-3877	99	30.115E	18	30.14507-1	34	30.7519NBR	36	30.OT3271	39	32.255S	41
30.0192-3900	100	30.116CR	18	30.14507-2	34	30.7559	23	30.OT3272	24	32.300X	43
30.0192-4588	99	30.116E	18	30.14507-3	36	30.7613	23	30.OT3334	39	32.301	43
30.0192-4626	100	30.116NBR	18	30.145	25	30.762	26	30.OT3354	23	32.301X	43
30.0192-4633	99	30.11774	35	30.145W	25	30.7645	23	30.OT3394	33	32.309X	43
30.0192-4634	99	30.117E	18	30.14803	78	30.7648	23	30.OT3440	35	32.409	43
30.0192-4690	100	30.118CR	18	30.148S	38	30.7649-12	21	30.shore20-90	106	32.409X	43
30.0192-4733	99	30.118E	18	30.16239	28	30.7649-8	21	30.shoreA	106	32.512	41
30.0192-4756	99	30.118NBR	18	30.16688	26	30.7649	21	30.shoreD	106	32.514S	41
30.0192-4792	99	30.11905	26	30.16977	27	30.7650	21	30.SM251	39	32.516S	41
30.0192-4906	99	30.11911	36	30.174S	38	30.7651	23	30.WI660	19	32.523S	41
30.0192-4926	99	30.119E	18	30.176	38	30.7652	20	30.WI747	19	32.527	41
30.0192-4947	99	30.120CR	18	30.180	39	30.7663	25	31.018S	33	32.7125	42

## Varenummerindex / product number index

Vare Art.	Side Page	Vare Art.	Side Page	Vare Art.	Side Page	Vare Art.	Side Page	Vare Art.	Side Page	Vare Art.	Side Page
32.7195S	42	33.358X	5	33.427X	3	33.522	15	34.7528-2	26	35.2525K	45
32.754S	41	33.359X	6	33.428	4	33.523	15	34.7528-2H	26	35.2806K	45
32.795S	42	33.360	6	33.428G	4	33.524	15	35.0806	45	35.3003K	45
32.8516	24	33.360F	6	33.430	14	33.525	15	35.0806K	45	35.3005	45
32.8517	24	33.360NBR	6	33.431A	14	33.526	15	35.0808K	45	35.3005K	45
32.8518	24	33.360R	7	33.432	2	33.527	15	35.10020K	45	35.3006K	45
32.8518W	24	33.360X	6	33.433	4	33.528	15	35.1003	45	35.3007	45
32.8519	24	33.361	6	33.434	3	33.529	15	35.1003K	45	35.3007K	45
32.8520	24	33.361B	6	33.436	13	33.530	15	35.1004	45	35.3010	45
32.866	42	33.362	7	33.438	2	33.531	15	35.1004K	45	35.3010K	45
32.924	40	33.362A	6	33.439A	13	33.532	15	35.1005	45	35.3012	45
32.924K	43	33.362B	6	33.442	13	33.611	77	35.1005K	45	35.3012K	45
33.000	13	33.362C	7	33.443	13	33.613	77	35.1007	45	35.3015	45
33.003	2	33.362D	7	33.443X	13	33.615	77	35.1007K	45	35.3015K	45
33.019	11	33.362E	7	33.444A	8	33.621	77	35.1008	45	35.3020	45
33.020	10	33.362F	7	33.444X	9	33.623	77	35.1008K	45	35.3020K	45
33.021	5	33.362FX	6	33.447	11	33.624	78	35.1010	45	35.3025	45
33.022	10	33.365X	6	33.449	9	33.625	78	35.1010K	45	35.3025K	45
33.024	9	33.367	7	33.450NBR	9	33.670	77	35.1203	45	35.3030	45
33.025	7	33.368	4	33.451E	10	33.671	77	35.1203K	45	35.3030K	45
33.026	13	33.369	5	33.452R	9	33.672	77	35.1204K	45	35.3505	45
33.094X	3	33.370NBR	5	33.452X	11	33.673	77	35.1204KL	45	35.3505K	45
33.1153A	3	33.371A	5	33.453X	10	33.674	78	35.1206K	45	35.3510	45
33.1153GA	3	33.371E	5	33.454X	10	33.675	78	35.1208K	45	35.3510K	45
33.1154	4	33.371F	5	33.455	11	33.676	78	35.1209	45	35.3535	45
33.1155	4	33.371FX	5	33.456	10	33.9779	8	35.1209K	45	35.3535K	45
33.1156	4	33.371X	5	33.456F	11	34.018	33	35.1212	45	35.4003K	45
33.12116	10	33.372X	8	33.457	9	34.018X	33	35.1212K	45	35.4005	45
33.200POM	16	33.374	7	33.457S-4	10	34.031	33	35.1503	45	35.4005K	45
33.201POM	16	33.375	7	33.457S-6	9	34.031X	33	35.1503K	45	35.4010	45
33.202POM	16	33.376	6	33.457ST	9	34.035	34	35.1504K	45	35.4010K	45
33.203POM	16	33.377	6	33.458A	11	34.117/6	36	35.1505K	45	35.4012K	45
33.210POM	16	33.378	7	33.458X	11	34.14334X	33	35.1506K	45	35.4020	45
33.211POM	16	33.379	7	33.459B	12	34.3011	54	35.1507	45	35.4020K	45
33.212POM	16	33.380	7	33.459C	12	34.3020	54	35.1507K	45	35.4030	45
33.213POM	17	33.381	8	33.459P	12	34.3032	53	35.1510	45	35.4030K	45
33.214POM	17	33.382	12	33.459X	12	34.3546	26	35.1510K	45	35.4035	45
33.215POM	17	33.383	13	33.460-2	12	34.601	53	35.1512	45	35.4035K	45
33.216POM	16	33.384	13	33.460-2C	12	34.601G	53	35.1512K	45	35.4040	45
33.217POM	16	33.385	13	33.460-2F	12	34.602	53	35.1515	45	35.4040K	45
33.218POM	16	33.395A	8	33.460-4	12	34.602G	53	35.1515K	45	35.4505	45
33.220POM	17	33.395F	8	33.460-6	12	34.603	53	35.1605	45	35.4505K	45
33.221POM	17	33.395X	8	33.460-6A	12	34.603G	53	35.1605K	45	35.5005	45
33.306	2	33.396	8	33.462	13	34.604	53	35.1608	45	35.5006	45
33.307A	2	33.398	8	33.462R	13	34.606	55	35.1608K	45	35.5006K	45
33.308A	2	33.401G	2	33.463	7	34.606X	55	35.1708K	45	35.5010	45
33.308POM	16	33.403	8	33.464	11	34.607	55	35.1803K	45	35.5010E	45
33.309XM	2	33.403F	8	33.465B	11	34.607X	55	35.18053	45	35.5010K	45
33.310SS-316	2	33.404	8	33.465C	11	34.608	55	35.18053K	45	35.5020K	45
33.310SS	2	33.405	8	33.465X	11	34.608X	55	35.1809K	45	35.6002K	45
33.310X	2	33.407X	8	33.466	13	34.609X	55	35.1904K	45	35.6010	45
33.311	14	33.408X	7	33.467	13	34.613	53	35.2003	45	35.6040	45
33.312	14	33.409	2	33.468B	4	34.614	53	35.2003K	45	35.8020K	45
33.319	9	33.409F	2	33.468F	4	34.620010	53	35.2005	45	36.0505	46
33.319F	9	33.409POM	16	33.468X	4	34.620040	53	35.20055	45	36.0806	46
33.320	11	33.410X	2	33.469X	5	34.620140	54	35.20055K	45	36.1003	46
33.321	9	33.410XG	2	33.470	10	34.620210	53	35.2005K	45	36.1003SIH	46
33.323	9	33.411	3	33.471	12	34.62039	54	35.2010	45	36.1005	46
33.324CR	9	33.411A	3	33.472	12	34.62040	54	35.2010K	45	36.1005G	46
33.326	11	33.415	3	33.473	13	34.62041	54	35.2010K	45	36.1005X	47
33.328	10	33.416	78	33.474	13	34.620420	54	35.2012	45	36.1006SIH	46
33.331	11	33.417TPE	17	33.475	12	34.62105	53	35.2012K	45	36.1007	46
33.332B	10	33.418SS	2	33.478	11	34.62110	54	35.2015	45	36.1007X	47
33.332X	10	33.418X	3	33.479	11	34.624	54	35.2015K	45	36.1008	46
33.333	10	33.419	3	33.480	8	34.625	54	35.2018	45	36.1010	46
33.335	10	33.419A	3	33.481	5	34.62610S	54	35.2020	45	36.1010CR	47
33.336	9	33.419A	3	33.482	12	34.626	54	35.2020K	45	36.1010E	46
33.338	9	33.420F	3	33.483	12	34.62713H	55	35.2207K	45	36.1010SIH	46
33.338F	9	33.420FX	3	33.506	8	34.62713S	55	35.2502	45	36.1010X	47
33.339X	10	33.420X	2	33.510	14	34.636	54	35.2505	45	36.102.5	44
33.340	10	33.422	2	33.511	14	34.637	54	35.2505K	45	36.102	44
33.352	6	33.423	3	33.512	14	34.641	53	35.2506	45	36.1025E	44
33.353	5	33.424	17	33.513	14	34.643	53	35.2506K	45	36.102E	44
33.353NBR	5	33.424TPE	17	33.514	14	34.644	53	35.2508K	45	36.103	44
33.353S	5	33.425G	3	33.515	14	34.676S	55	35.2510	45	36.1035E	44
33.353X	6	33.426	4	33.516	14	34.677	55	35.2510K	45	36.103CR	44
33.354	4	33.426A	4	33.517	14	34.678	55	35.2515	45	36.103E	44
33.355B	7	33.426G	4	33.518	14	34.7102-50	53	35.2515K	45	36.104	44
33.357X	6	33.426GA	4	33.519	14	34.7196	53	35.2520	45	36.1045E	44
33.358B	5	33.426X	4	33.520	14	34.7199	54	35.2520K	45	36.104CR	44
33.358C	5	33.426XA	4	33.521	14	34.7514	54	35.2525	45	36.105CR	44

Varenummerindex / product number index

Vare Art.	Side Page	Vare Art.	Side Page	Vare Art.	Side Page	Vare Art.	Side Page	Vare Art.	Side Page	Vare Art.	Side Page
36.105E	44	36.2008X	47	36.4020X	47	36.65007CR	52	36.K697	48	38.400-1.5	82
36.106	44	36.2010	46	36.4025	46	36.65010	52	36.K698	48	38.400-10	82
36.106CR	44	36.2010CR	47	36.4025E	46	36.6600.4X	52	36.K852	48	38.400-12	82
36.106E	44	36.2010E	46	36.4030E	46	36.66004	52	36.K853	49	38.400-15	82
36.106EG	44	36.2010SIH	46	36.5005CR	47	36.67502	52	37.221/1G	93	38.400-20	82
36.106ESP	44	36.2010SIHK	46	36.5005SIH	46	36.68005CR-5952	52	37.245P	86	38.400-25	82
36.107CR	44	36.2010SIS	46	36.5010	46	36.68005CR	52	37.250X	87	38.400-2	82
36.107E	44	36.2010X	47	36.5010X	47	36.7003	44	37.251X	87	38.400-3	82
36.108	44	36.2015	46	36.5020	46	36.7004.5X	44	37.260	92	38.400-4	82
36.108CR	44	36.2015SIH	46	36.5020E	46	36.7004	44	37.261	92	38.400-5	82
36.108E	44	36.2020	46	36.5025	46	36.7005	44	37.262	92	38.400-6/650	82
36.108EG	44	36.2020CR	47	36.5030	46	36.7005X	44	37.263	92	38.400-6	82
36.109E	44	36.2020SIH	46	36.6020NBR	47	36.7006	44	37.270	92	38.400-8	82
36.110	44	36.202	45	36.6030	46	36.7006X	44	37.280	92	38.401-10	83
36.110CR	44	36.208	45	36.6030E	46	36.7007X	44	37.400	92	38.401-15	83
36.110E	44	36.2318X	47	36.60403	52	36.7008.5X	44	38.1215	94	38.401-20	83
36.111E	44	36.2503	46	36.60404	52	36.7008	44	38.1215N	94	38.401-2	83
36.112	44	36.2505	46	36.60405	52	36.7008X	44	38.1215NH	94	38.401-3	83
36.112CR	44	36.2505X	47	36.60503	52	36.7009	44	38.121N	94	38.401-4	83
36.112E	44	36.2507X	47	36.60505	52	36.7009X	44	38.121NX	94	38.401-5	83
36.112EG	44	36.2508X	47	36.60605	52	36.7010.5X	44	38.122	94	38.401-6	83
36.115	44	36.2510	46	36.60802	52	36.7010	44	38.122A	94	38.402-0,5	83
36.115CR	44	36.2510E	46	36.60802CR	52	36.7010X	44	38.122EPDM	94	38.402-1X	83
36.117E	44	36.2510SIH	46	36.60803	52	36.7011.5X	44	38.122N	94	38.402-2X	83
36.118CR	44	36.2512X	47	36.60804	52	36.7011X	44	38.123	94	38.402-3X	83
36.119CR	44	36.2515	46	36.60804CR	52	36.7012	44	38.123EPDM	94	38.402-4X	83
36.120	44	36.2515SIH	46	36.60805	52	36.7012X	44	38.123N	94	38.402-5X	83
36.1205	46	36.2520	46	36.60808	52	36.7013X	47	38.123X	94	38.403-2	83
36.1206	46	36.2520E	46	36.60808CR	52	36.7014X	44	38.124	94	38.403-3	83
36.120CR	44	36.2520SIH	46	36.61001	52	36.7015	44	38.124N	94	38.403-4	83
36.120E	44	36.2520SIS	46	36.61002	52	36.7018X	44	38.125	94	38.403-5	83
36.1210	46	36.2525	46	36.61003	52	36.7028X	44	38.125N	94	38.403-6	83
36.1210E	46	36.2525E	46	36.61003CR	52	36.7050	44	38.125S	94	38.403-8	83
36.1210X	47	36.2525SIH	46	36.61004	52	36.7064X	44	38.126	94	38.404-10	84
36.1212SIH	46	36.3003	46	36.61005	52	36.720802	51	38.126N	94	38.404-12	84
36.1212X	47	36.3005	46	36.61008	52	36.720803	51	38.128	94	38.404-15	84
36.122CR	44	36.3005X	47	36.61010	52	36.720804	51	38.128N	94	38.404-20	84
36.122E	44	36.3010	46	36.61010CR	52	36.720903	51	38.128NH	94	38.404-2	84
36.12511X	47	36.3010E	46	36.61203	52	36.720904	51	38.128S	94	38.404-3	84
36.125	44	36.3010SIH	46	36.61204	52	36.721004	51	38.128SX	94	38.404-4	84
36.125E	44	36.3015	46	36.61205	52	36.721005	51	38.130	94	38.404-5	84
36.130	44	36.3015CR	47	36.61310	52	36.721006	51	38.130N	94	38.404-6	84
36.130EX	44	36.3015X	47	36.61502	52	36.721202	51	38.132	94	38.404-8	84
36.135E	44	36.3020	46	36.61503	52	36.721203	51	38.132N	94	38.405-10	84
36.14044	49	36.3020SIH	46	36.61505	52	36.7213564	51	38.135	94	38.405-10X	84
36.1406X	47	36.3020X	47	36.61506	52	36.721503	51	38.135N	94	38.405-15	84
36.1503	46	36.3025E	46	36.61508	52	36.721504	51	38.136	94	38.405-20	84
36.1503E	46	36.3030	46	36.61510	52	36.721508	51	38.137	94	38.405-40	84
36.1505E	46	36.3314	45	36.61512	52	36.721508B	51	38.138	94	38.405-6	84
36.1505SIH	46	36.3315	49	36.61518	52	36.722004	51	38.139	94	38.405-8	84
36.1505X	47	36.3351	49	36.61530	52	36.730810	50	38.139N	94	38.407-3	85
36.1507X	47	36.3354	49	36.61603	52	36.730906	50	38.140	94	38.407-3C	85
36.1510	46	36.34155105	44	36.61609CR	52	36.730906H	50	38.14124	93	38.407-3G	85
36.1510E	46	36.3416068	44	36.61710	52	36.730907	50	38.14572	93	38.407-3X	85
36.1512	46	36.341840	44	36.61808	52	36.730907G	50	38.152EPDM	47	38.407-3XL	85
36.1512E	46	36.342026	44	36.62002	52	36.730955	50	38.153EPDM	47	38.410200	89
36.1512SIH	46	36.342030	44	36.62003	52	36.730955G	50	38.154EPDM	47	38.410201	89
36.1515	46	36.342226	44	36.62004	52	36.730955H	50	38.155EPDM	47	38.410202	89
36.1604	46	36.342232	44	36.62004CR	52	36.731210	50	38.156EPDM	47	38.410203	89
36.1605	46	36.342433	44	36.62005	52	36.731210H	50	38.158EPDM	47	38.418	85
36.1610SIH	46	36.342529	44	36.62008	52	36.731412D	50	38.160E/K	52	38.418N	85
36.1612E	46	36.342840	44	36.62010	52	36.732115	50	38.160EPDM	47	38.420 BOX	85
36.1612X	47	36.344511	44	36.62305	52	36.80955S	50	38.162EPDM	47	38.422-1350	92
36.1616SIH	46	36.3504	49	36.62502	52	36.90810	50	38.165EPDM	47	38.422-1650	92
36.1808G	46	36.3515X	47	36.62506	52	36.9086S	50	38.170E/K	52	38.422-1750	92
36.1812SIH	46	36.3516	46	36.62510	52	36.9088S	50	38.170EPDM	47	38.423-1650	92
36.1815EG	46	36.3520E	46	36.62525	52	36.92117	50	38.175E/K	52	38.423-1750	92
36.1816	46	36.3520X	47	36.63005	52	36.B380	49	38.175EPDM	47	38.424-1800	92
36.197	45	36.3704	49	36.63005CR-5952	52	36.K608	48	38.180NR	47	38.425-3	86
36.198	45	36.3813	49	36.63010	52	36.K613	48	38.188	52	38.425-3C	86
36.198A	45	36.3881	49	36.63012	52	36.K616	48	38.189	52	38.425-5	86
36.198CR	45	36.3897	49	36.63030CR	52	36.K671	48	38.190	52	38.425-5C	86
36.198S	45	36.4010	46	36.63204CR	52	36.K675	48	38.191	52	38.425N-3	86
36.199	45	36.4010E	46	36.64003	52	36.K676	48	38.201.5	94	38.425N-5	86
36.2002	46	36.4010X	47	36.64005	52	36.K677	48	38.202	94	38.426-3	86
36.2003	46	36.4012	46	36.64005CR	52	36.K678	48	38.203	94	38.426-3C	86
36.2003SIH	46	36.4012SIH	46	36.64010	52	36.K679	48	38.204	94	38.426-5	86
36.200	45	36.4015	46	36.64015	52	36.K680	48	38.205	94	38.426-5C	86
36.2005	46	36.4015E	46	36.65003	52	36.K681	48	38.205R	94	38.426-8C	86
36.2005SIH	46	36.4020CR	47	36.65005CR-5952	52	36.K683	48	38.304-1.5	84	38.427-3C	86
36.2005X	47	36.4020E	46	36.65005CR	52	36.K695	48	38.345522	91	38.427-3GC	86



# Varenummerindex / product number index

Vare Art.	Side Page	Vare Art.	Side Page	Vare Art.	Side Page	Vare Art.	Side Page	Vare Art.	Side Page	Vare Art.	Side Page
38.428	82	39.167G	59	39.4224	71	39.AV30	69	39.D100/50	68	39.E50/25-M12	67
38.429-2	86	39.168G	59	39.4229	71	39.AV5068	69	39.D100/75	68	39.E50/25	67
38.430-10/70	93	39.169G	59	39.4244	71	39.AV50	69	39.D15/10-M6	65	39.E50/40-M12	67
38.430-10/90	93	39.170G	59	39.4249	71	39.AV9580	69	39.D15/10	65	39.E50/40	67
38.430-5/70	93	39.171G	59	39.4250	71	39.B100/30	68	39.D15/15-M6	65	39.E60/30-M12	67
38.430-5/80	93	39.171J	59	39.4251	71	39.B100/40	68	39.D15/15	65	39.E60/30	67
38.430-8/70	93	39.172	59	39.4257	71	39.B100/50	68	39.D150/50	68	39.E60/40-M12	67
38.430-8/90	93	39.173	60	39.4269	71	39.B100/75	68	39.D20/15E	65	39.E60/40	67
38.440-6	92	39.174	59	39.4310	71	39.B16/18	65	39.D20/20-M6	65	39.E70/35	67
38.440-6A	92	39.175H	59	39.4311	71	39.B20/10-M6	65	39.D20/20	65	39.E70/50	67
38.440-8	92	39.175J	59	39.4333	70	39.B20/10	65	39.D200/100	68	39.E75/30-M12	68
38.440-8A	92	39.177	59	39.4380	71	39.B20/15	65	39.D30/10-M6	66	39.E75/30	68
38.440-8X	92	39.178	59	39.4380X	70	39.B2020	65	39.D30/10	66	39.E75/50-M12	68
38.449-1200	93	39.179	59	39.4381	71	39.B25/25-M6	66	39.D30/15-M6	66	39.E75/50	68
38.449-750	93	39.180	63	39.4399	70	39.B25/25	66	39.D30/15	66	39.E80/50-M16	68
38.450-760	93	39.181052	60	39.4403	71	39.B2513	65	39.D30/20-M6	66	39.E80/50	68
38.451-1600	93	39.181052	62	39.500500A	72	39.B30/20	66	39.D30/20	66	39.KD25/17	69
38.452-1200	93	39.181060	60	39.55	71	39.B30/20X	66	39.D30/30-M6	66	39.KD50/18	69
38.5017530	89	39.181060	62	39.56	71	39.B30/30-M6	66	39.D30/30	66	39.KD50/50	69
38.5017530	89	39.181061	60	39.57	71	39.B30/30	66	39.D40/15-M6	66	39.KP-D10/10	69
38.5501110	91	39.181061	62	39.620J	60	39.B40/20	66	39.D40/15	66	39.KP-D115/136	69
38.5501210	91	39.181	63	39.623J	60	39.B40/30	66	39.D40/20-A2	66	39.KP-D118/77	69
38.623750	91	39.1819	103	39.624	60	39.B40/35	66	39.D40/20-M10	66	39.KP-D15/22	69
38.623752	91	39.182	63	39.625	60	39.B40/21	67	39.D40/20-M6	66	39.KP-D20/15	69
38.623764	91	39.183	63	39.626J	60	39.B50/30	67	39.D40/20	66	39.KP-D25/16	69
38.8100110	88	39.183A	63	39.627	60	39.B50/50-M10	67	39.D40/25-A2	66	39.KP-D25/20	69
38.8100310	88	39.183B	63	39.628	60	39.B50/50	67	39.D40/30-A2	66	39.KP-D30/30	69
38.8103110	88	39.183C	63	39.629	60	39.B60/30	67	39.D40/30-M8	66	39.KP-D30/36	69
38.9110030	90	39.184	63	39.630	61	39.B60/40	67	39.D40/30	66	39.KP-D50/58	69
38.9117630	90	39.185	63	39.631A	61	39.B75/30	68	39.D40/35-A2	66	39.KP-D50/61	69
38.9117631	90	39.186	63	39.631X	61	39.B75/40	68	39.D40/35	66	39.KP-D50/67	69
38.9716230	90	39.187	63	39.632A	59	39.B75/50	68	39.D40/40-A2	66	39.KP-D60/40	69
38.9726230	88	39.188	63	39.632B	59	39.BUMPER	97	39.D40/40	66	39.KP-D70/58	69
38.9730030	88	39.200200	72	39.632C	59	39.BUMPERB	97	39.D40/45-A2	66	39.KP-D70/60	69
38.9730030S	88	39.2486	70	39.632J	59	39.BUMPERC	97	39.D50/20-M12	67	39.KP-D75/89	69
38.9750030	88	39.2776	71	39.634	61	39.BUMPERD	97	39.D50/20	67	39.KP-E10/10	69
38.9971010	93	39.300300	72	39.634P	61	39.BUMPERE	97	39.D50/25-M12	67	39.KP-E115/136	69
38.9971020	93	39.300300A	72	39.635	62	39.C100/40	68	39.D50/25	67	39.KP-E118/77	69
39.103195	69	39.300300FK	72	39.635X	62	39.C100/50	68	39.D50/30-M10	67	39.KP-E15/22	69
39.1208P	20	39.3010	70	39.636	62	39.C100/75	68	39.D50/30	67	39.KP-E20/15	69
39.1501	102	39.3023	71	39.636H	62	39.C150/40	68	39.D60/30-M12	67	39.KP-E20/24	69
39.1502	102	39.3029	71	39.636X	62	39.C150/50	68	39.D60/30	67	39.KP-E25/16	69
39.1503	102	39.3051	71	39.637	60	39.C150/75	68	39.D60/40-M12	67	39.KP-E25/20	69
39.1504	102	39.3240	70	39.638	60	39.C20/10	65	39.D60/40	67	39.KP-E30/30	69
39.1506	102	39.3366	71	39.642X	61	39.C20/20	65	39.D6050	67	39.KP-E30/36	69
39.1507	102	39.3381	71	39.643X	61	39.C200/100	68	39.D65/35	67	39.KP-E35/40	69
39.1508	102	39.3428	71	39.644	61	39.C25/10	65	39.D70/40-M12	67	39.KP-E50/50	69
39.1509	102	39.3581	71	39.645	64	39.C25/15	66	39.D70/40	67	39.KP-E50/61	69
39.1510	102	39.360	60	39.646	60	39.C25/25-M6	66	39.D70/70	67	39.KP-E50/67	69
39.1511	102	39.36412	71	39.647	61	39.C30/20	66	39.D75/30	68	39.KP-E50/68	69
39.1512	102	39.3700	71	39.648	61	39.C30/30	66	39.D75/50-M10	68	39.KP-E60/40	69
39.1513	102	39.3722	70	39.649	61	39.C40/25	66	39.DC300300	74	39.KP-E70/58	69
39.1514	102	39.3726	71	39.650	61	39.C40/30	66	39.DD300300	73	39.KP-E70/60	69
39.1515	102	39.3802	71	39.651A	61	39.C40/40-M10	66	39.E100/25	68	39.KP-E75/89	69
39.1616	103	39.3803	71	39.652	61	39.C40/40	66	39.E100/30	68	39.KP-E95/80	69
39.1617	103	39.3803X	70	39.653	61	39.C50/20	67	39.E100/40	68	39.M1810	65
39.1618	103	39.3813	71	39.654	103	39.C50/25	67	39.E100/50	68	39.M20/10-M6	65
39.1620	103	39.3815	71	39.655	103	39.C50/30-68	67	39.E100/75	68	39.M20/10	65
39.1621	103	39.3846	70	39.656	62	39.C50/30-M8	67	39.E150/50-M20	68	39.M2015	65
39.1622	103	39.3849	71	39.657	62	39.C50/30	67	39.E150/50	68	39.M2020-M8	65
39.1623	103	39.3868	70	39.658	62	39.C50/35	67	39.E150/75-M20	68	39.M2020	65
39.1624	103	39.3872	70	39.659	62	39.C50/40-M12	67	39.E150/75	68	39.M24	61
39.1625	103	39.3873	70	39.660	62	39.C50/40	67	39.E20/10-M6	65	39.M2515	66
39.1626	103	39.3874	70	39.661	62	39.C50/45	67	39.E20/10	65	39.M2520-M6	66
39.1627	103	39.3875	70	39.662	62	39.C60/30-M8	67	39.E200/100	68	39.M2520	66
39.1628	103	39.3876	70	39.663	62	39.C60/30	67	39.E25/10-M6	65	39.M30/10	66
39.1630	104	39.3878	71	39.664	62	39.C60/40-M10	67	39.E25/10	65	39.M3015-M8x12	66
39.1631	104	39.3879	71	39.665	62	39.C60/40-M12	67	39.E30/15-M6	66	39.M3015-M8x15	66
39.1632	104	39.3887	70	39.674	70	39.C60/40	67	39.E30/15	66	39.M3020-55	66
39.1633	104	39.3904X	70	39.678	70	39.C65/35-M10	67	39.E30/20-M6	66	39.M3020	66
39.1634	104	39.3923	71	39.678X	70	39.C65/35	67	39.E30/20	66	39.M3030-SS	66
39.1635	104	39.3925	71	39.680H-1180	70	39.C70/45-M10	68	39.E30/30-M6	66	39.M3030	66
39.1636	104	39.3952	71	39.680H	70	39.C75/100-M16	68	39.E30/30	66	39.M40/20	66
39.1637	104	39.4012	71	39.680X	70	39.C75/100	68	39.E30/35	66	39.M40/40	66
39.1638	104	39.4025	66	39.684X	70	39.C75/30-M10	68	39.E40/15-SH43	66	39.M4030	66
39.1639	104	39.4054	71	39.684XS	70	39.C75/30	68	39.E40/20-M6	66	39.M4038	66
39.1640	104	39.4087	70	39.685	70	39.C75/55-43	68	39.E40/20	66	39.M5025	67
39.1641	104	39.4110	71	39.69	71	39.C75/55-M10	68	39.E40/30	66	39.M5030	67
39.1642	104	39.4129	71	39.79	71	39.C75/55	68	39.E50/20-M10	67	39.M5040	67
39.1643	104	39.4156	70	39.93	71	39.D10/10	65	39.E50/20-M12	67	39.M5045	67
39.1644	104	39.4178	70	39.AV2024	69	39.D100/30	68	39.E50/20	67	39.M5050	67

## Varenummerindex / product number index

Vare Art.	Side Page	Vare Art.	Side Page	Vare Art.	Side Page	Vare Art.	Side Page
39.M6035	67	48.622	80	50.267	96	79.051A	96
39.M6050	67	48.622X	80	50.267NR	96	79.052	96
39.M7540	68	48.623	80	50.269	96	79.053	96
39.M7550	68	48.623X	80	50.271	95	79.054	96
39.M7560	68	48.624	80	50.275	95	79.055	96
39.M8050	68	48.626	79	50.276	95	83.842	105
39.SC300300	74	48.634	79	50.280	96	84.840084	105
39.SD300250	73	48.634F	79	52.13689-5	101	84.930	105
39.SD300300	73	48.634K	79	52.13689A	101	84.931	105
41.13459	28	48.634KF	79	52.13689B	101	84.932T	105
41.13459X	28	48.635	79	52.13689C	101	84.934	105
41.333S	20	48.635F	79	52.269	38	84.934X	105
41.670	28	48.635K	79	52.269X	38	84.935	105
41.674A	20	48.635KF	79	52.CWC8	63	84.961	105
41.675A	20	48.636	79	52.PP106	27	87.082020	106
41.678	20	48.636F	79	54.261700J-5	98	87.1034	106
45.102G	57	48.636FX	79	54.261700JC-5	98	87.1035	106
45.123	58	48.636K	79	54.261700JD-5	98	87.1738	106
45.2031024	58	48.636KF	79	54.261700JX-5	98	87.1739	106
45.20511046	58	50.083000GG	32	54.261720J-5	98	87.2000	106
45.20511091	58	50.083000SS	32	54.261740J-5	98	87.51989	106
45.2051445	58	50.083013	30	54.261760J-5	98	87.52759	106
45.205S	29	50.083015GG	30	54.261780J-5	98	87.7051	106
45.205SX	29	50.083015GGX	30	54.710290	25	87.723	106
45.206AL	56	50.083030	30	54.710720	30	87.727	106
45.208	29	50.083032GG	30	54.710770	31	87.770/10	106
45.209BX	29	50.083033	30	54.710780	32	D-fender	72
45.210B	29	50.083033X	30	57.400/1	76	D-fender	72
45.210BX	29	50.083040	30	57.400/2	76	D-fender	72
45.210C	29	50.083040G	30	57.400/3	76	DC-fender	74
45.210CX	29	50.083040GG	30	57.401/1	76	DD-fender	73
45.216C-50	57	50.083040GS	30	57.401/2	76	Keyhole fender	75
45.217C	56	50.083045G	30	57.401/3	76	KF-A-fender	75
45.221C	56	50.083045X	30	57.402/1	76	KF-B-fender	75
45.224	56	50.083050	30	57.402/2	76	KF-C-fender	75
45.235N1057	58	50.083050G	30	57.402/3	76	KF-D-fender	75
45.235N429	58	50.083050GG	30	57.403/1	76	MC-fender	75
45.235NG1057	58	50.083052G	31	57.403/2.5J	77	S10.3301	105
45.235NG429	58	50.083055G	31	57.403/2	76	S10.3303	105
45.308C-50	57	50.083059	31	57.403/3	76	S10.3311	105
45.308C	57	50.083060	31	57.404/1	76	S10.3312	105
45.309C-50	57	50.083060G	31	57.404/2	76	S10.3313	105
45.309C	57	50.083061	31	57.404/3	76	S10.3314	105
45.347C	56	50.083065	31	57.405/1	76	SC-fender	74
45.383C	56	50.083065G	31	57.405/2	76	SD-fender	73
45.388C	56	50.083070B	31	57.405/2J	77	Wing-type-fender	75
45.393	58	50.083070G	31	57.405/3	76		
45.394	58	50.083080G	31	57.406/1	76		
45.705C	56	50.083080GG	31	57.406/2	76		
45.832	56	50.083081	31	57.406/3	76		
45.836	56	50.083088	31	57.407/1	76		
45.837	56	50.083089	31	57.407/2	76		
45.839	56	50.083090	32	57.407/3	76		
45.872	56	50.083095	32	57.440/1	76		
45.874	56	50.083095B	32	57.440/2	76		
45.882	56	50.083095G	32	57.440/3	76		
45.884C	56	50.13621	96	57.441/1	76		
45.886	57	50.241NR	95	57.441/2	76		
45.886G	57	50.242NR	95	57.441/3	76		
45.894	57	50.243NR	96	57.442/1	76		
45.901	58	50.244NR	95	57.442/2	76		
45.980A	57	50.245H	95	57.442/3	76		
45.980K	57	50.245NR	95	57.443/1	76		
45.980S	57	50.246-10	95	57.443/2	76		
48.442	81	50.246NR	95	57.443/2JP	77		
48.451	80	50.247-10	95	57.443/3	76		
48.452	80	50.247NR	95	57.444/1	76		
48.542	81	50.250	96	57.444/2	76		
48.544A	81	50.260-10	18	57.444/3	76		
48.603	79	50.260-4	18	57.445/1	76		
48.604	79	50.260-5	18	57.445/2	76		
48.605	80	50.260-6	18	57.445/3	76		
48.605B	80	50.260-8	18	57.446/1	76		
48.605X	80	50.261	96	57.446/2	76		
48.605Y	80	50.263	96	57.446/3	76		
48.608	80	50.263K	96	57.447/1	76		
48.609	80	50.264-10	95	57.447/2	76		
48.612	81	50.264	96	57.447/3	76		
48.613K	79	50.265-10	95	63.55030	81		
48.618	81	50.265	95	68.4250	81		
48.621	80	50.266	95	79.051	96		

Kemisk betegnelse	Natur-kautsjuk	Styrolbutadien-Kausjuk	Nitril kausjuk (Perbunan)	Chlororen kausjuk (Neopren)	Ethylen propylen kausjuk (APTK)
Chemical Nomenclature	Naturel Rubber	Styrol Butadien Rubber (Buna)	Nitril Rubber (Perbunan)	Chloroprene Rubber (Neoprene)	Ethylene Propylene Dien Rubber
Navnefortegnelse i.h.t. ASTM D 1418 Abbreviation as per ASTM D 1418	NR	SBR	NBR	CR	EPDM
Hårdhedsområde (Shore A)(±5) Hardness Range (Shore A)(±5)	40 - 90	45 - 90	45 - 90	40 - 90	40 - 90
Trækstyrke N/mm <sup>2</sup> Tensile Strength N/mm <sup>2</sup>	4 - 15	4 - 15	4 - 14	5 - 15	6 - 13
Tilbagestødselasticitet ved 20°C Recoil Elasticity at 20°C	Udmærket Excellent	God Good	Tilfredsstillende Satisfactory	God Good	God Good
Slidstyrke Abrasion Resistance	Meget god Very good	Meget god Very good	God Good	God Good	God Good
(1) Kemisk bestandighed (1) Chemical Resistance	God Good	God Good	Tilfredsstillende Satisfactory	God Good	Meget god Very good
(1) Oliebestandighed (1) Oil Resistance	Ringe Low	Ringe Low	Udmærket Excellent	God Good	Ringe Low
(1) Bestandighed overfor benzin (1) Petrol Resistance	Ingen None	Ringe Low	God Good	Ringe Low	Ringe Low
(1) Bestandighed overfor opløsningsmidler (1) Solvent Resistance	Ringe Low	Ringe Low	God Good	God Good	(3) Tilfredsstillende (3) Satisfactory
(4) Temperaturbestandighed °C (4) Temperature Stability in °C	-40 til +80° -40 to +80°	-30 til +80° -30 to +80°	-30 til +100° -30 to +100°	-25 til +100° -25 to +100°	-40 til +100° -40 to +100°
Ozonbestandighed Ozone Resistance	Tilfredsstillende Satisfactory	Tilfredsstillende Satisfactory	Tilfredsstillende Satisfactory	Meget god Very good	Udmærket Excellent
Vejrbestandighed General Climate Resistance	God Good	God Good	God Good	Meget god Very good	Udmærket Excellent
Gasuigennemtrængelighed Gas Impermeability	Tilfredsstillende Satisfactory	Tilfredsstillende Satisfactory	God Good	God Good	Tilfredsstillende Satisfactory
(2) Modstand mod blivende deformationer (2) Resistance to permanent set	Meget god Very good	God Good	God Good	God Good	God Good
Bindekraft til metal Adhesion to metal	Udmærket Excellent	Meget god Very good	Tilfredsstillende Satisfactory	God Good	Tilfredsstillende Satisfactory
Bindekraft til tekstiler Adhesion to textile	Udmærket Excellent	God Good	Tilfredsstillende Satisfactory	Udmærket Excellent	Tilfredsstillende Satisfactory

(1) = På grund af mange mulige kemikalier, opløsningsmidler, arbejdstemperaturer og arbejdstider kan de oplyste værdier, i enkelte tilfælde, udvise forandringer. Især kan en elastomeretype, som normalt udviser ringe bestandighed, udvise en meget god resistens overfor bestemte medier.

(2) = Ved relative lave h.h.v. høje temperaturer reduceres modstanden normalt.

(3) = God udvidelsesbestandighed overfor forskellige blødgørere.

(4) = Det drejer sig om grænseværdier, som kan svinge alt efter sammensætningen af blandingen. Vedvarende indsætning i grænseområderne ændrer de fysiske værdier. Til ekstreme påvirkninger kræves særlige elastomere-blandinger.

(1) = In view of the multitude of chemicals, solvents, application temperatures and times the value quoted may vary in some cases. For example one type of elastomer which normally has only low resistance properties could show very good resistance to certain media.

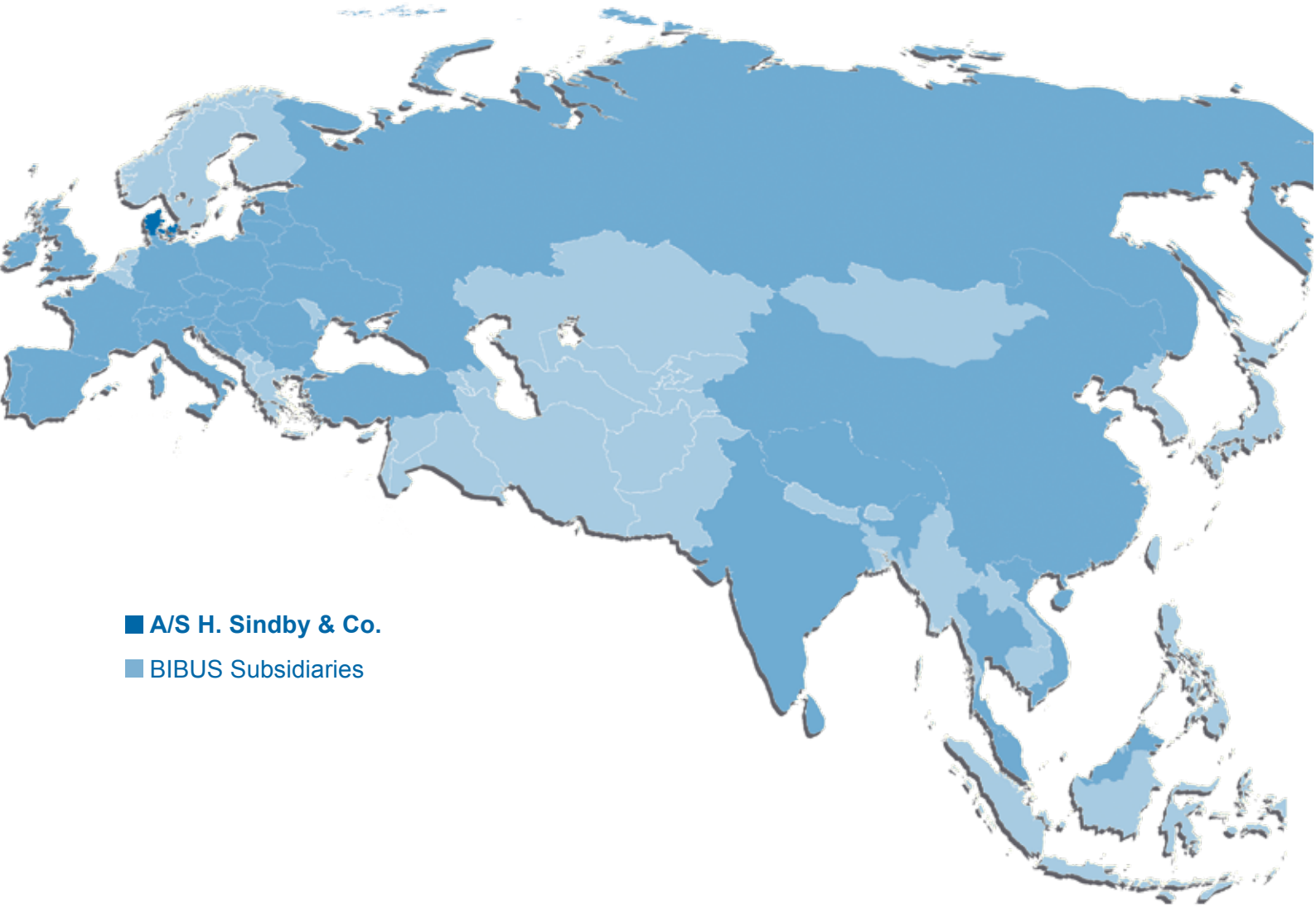
(2) = At relatively high or low temperatures, resistance generally drops.

(3) = Good expansion resistance to various ester based plasticizers.

(4) = These are borderline values which, depending on composition of the mixture, can vary. If used permanently in such borderline areas, this can lead to a change in the physical values. For such extreme applications it is advisable to use special elastomer mixtures.

ENGINEERING  
LOGISTICS  
SERVICE

**SINDBY**  
A BIBUS GROUP COMPANY



- A/S H. Sindby & Co.
- BIBUS Subsidiaries

**A/S H. Sindby & Co.**  
Edisonvej 11  
DK-7100 Vejle  
Tel. +45 75 88 21 22  
Fax +45 75 88 21 21  
sindby@sindby.dk