

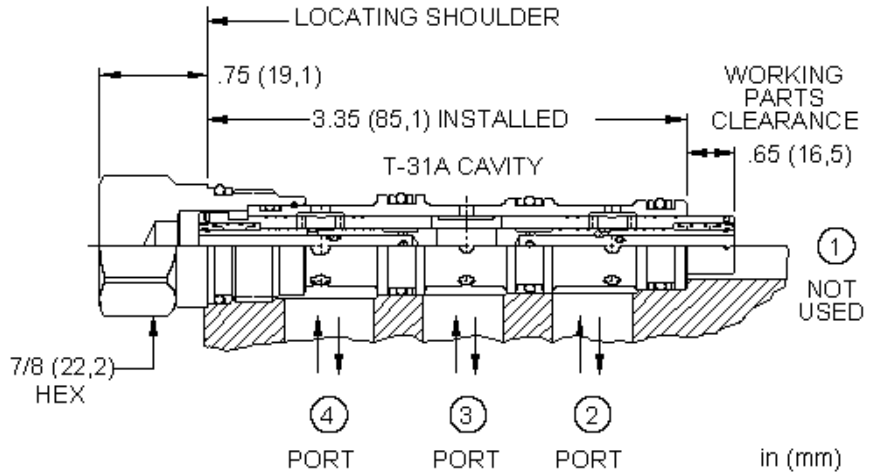
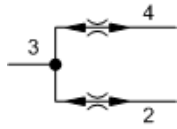
Flow Control, Flow Divider-combiner Cartridges

*Powered by Sun **QuickPrint**,
your on-demand, customized catalogue solution.*

This information is subject to change without notice. Visit www.sunhydraulics.com for complete and up to date information.

FSCA	Closed center, flow divider-combiner valve1
FSDA	Closed center, flow divider-combiner valve2
FSEA	Closed center, flow divider-combiner valve3
FSFA	Closed center, flow divider-combiner valve4
FSAA	High accuracy, closed center, flow divider-combiner valve5
FSBA	High accuracy, closed center, flow divider-combiner valve6
FSDG	High accuracy, closed center, flow divider-combiner valve7
FSEG	High accuracy, closed center, flow divider-combiner valve8
FSFG	High accuracy, closed center, flow divider-combiner valve9
FSCH	High capacity, closed center, flow divider-combiner valve10
FSDH	High capacity, closed center, flow divider-combiner valve11
FSEH	High capacity, closed center, flow divider-combiner valve12
FSFH	High capacity, closed center, flow divider-combiner valve13
FSCS	Synchronizing, flow divider-combiner valve14
FSDS	Synchronizing, flow divider-combiner valve15
FSES	Synchronizing, flow divider-combiner valve16
FSFS	Synchronizing, flow divider-combiner valve17
FSAS	High accuracy synchronizing, flow divider-combiner valve18
FSBS	High accuracy synchronizing, flow divider-combiner valve19
FSDR	High accuracy synchronizing, flow divider-combiner valve20
FSER	High accuracy synchronizing, flow divider-combiner valve21
FSFR	High accuracy synchronizing, flow divider-combiner valve22

Series	Ports	Cavities
Series Z Cartridges 3/8-24 UNF Cartridge Thread 5 mm Valve Hex Size 11 - 14 Nm Valve Installation Torque	3-Port	T-382A
Series P Cartridges M16 Cartridge Thread 22,2 mm Valve Hex Size 27 - 33 Nm Valve Installation Torque	2-Port 2-Port (Deep) 3-Port	T-8A T-8DP T-9A
Series 0 Cartridges M16 Cartridge Thread 19,1 mm Valve Hex Size 25,4 mm Valve Hex Size 27 - 33 Nm Valve Installation Torque	2-Port 2-Port (Deep) 3-Port 3-Port 4-Port	T-162A T-162DP T-150A T-163A T-30A
Series 1 Cartridges M20 Cartridge Thread 22,2 mm Valve Hex Size 41 - 47 Nm Valve Installation Torque	2-Port 2-Port 3-Port 4-Port 4-Port 6-Port	T-10A T-13A T-11A T-21A T-31A T-61A
Series 2 Cartridges 1"-14 UNS Cartridge Thread 28,6 mm Valve Hex Size 61 - 68 Nm Valve Installation Torque	2-Port 2-Port 3-Port 4-Port 4-Port 4-Port (Dual path) 6-Port 6-Port	T-3A T-5A T-2A T-22A T-32A T-52AD T-52A T-62A
Series 3 Cartridges M36 Cartridge Thread 31,8 mm Valve Hex Size 203 - 217 Nm Valve Installation Torque	2-Port 3-Port 4-Port 4-Port 4-Port (Dual path) 6-Port 6-Port	T-16A T-17A T-23A T-33A T-53AD T-53A T-63A
Series 4 Cartridges M48 Cartridge Thread 41,3 mm Valve Hex Size 474 - 508 Nm Valve Installation Torque	2-Port 2-Port (Undercut) 3-Port 3-Port (Undercut) 4-Port 4-Port (Undercut) 4-Port 4-Port (Dual path) 6-Port 6-Port	T-18A T-18AU T-19A T-19AU T-24A T-24AU T-34A T-54AD T-54A T-64A



Closed-center flow divider/combiners are sliding-spool, pressure-compensated devices used to split flow in one direction and combine flow in the opposite direction. These valves may be used to accurately control two or more cylinders or hydraulic motors where bidirectional operation is required.

TECHNICAL DATA

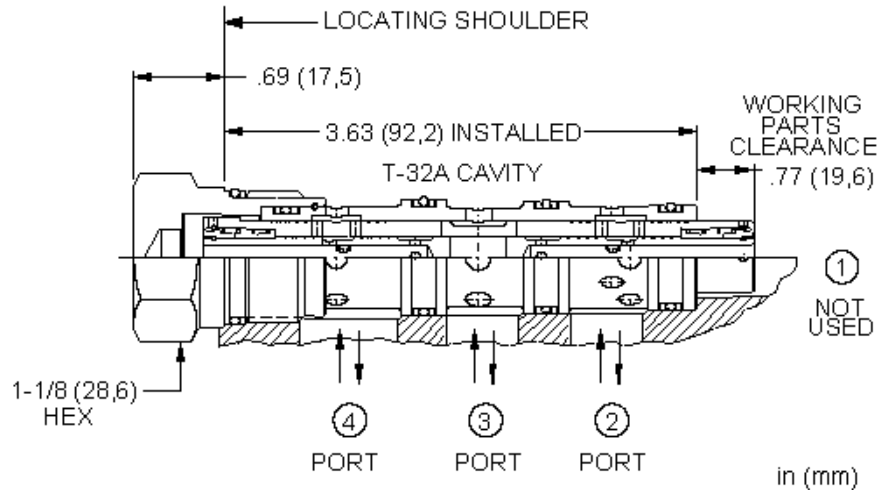
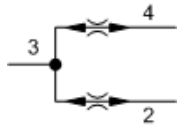
NOTE: DATA MAY VARY BY CONFIGURATION. SEE CONFIGURATION SECTION.

Maximum Operating Pressure	350 bar
Divisional Accuracy at Minimum Input Flow	50% ±4.5%
Divisional Accuracy at Max Input Flow	50% ±2.5%
Pressure Drop at Minimum Rated Input Flow	2 bar
Pressure Drop at Maximum Rated Input Flow	24 bar
Seal kit - Cartridge	Buna: 990031007
Seal kit - Cartridge	Polyurethane: 990031002
Seal kit - Cartridge	Viton: 990031006

CONFIGURATION OPTIONS

Model Code Example: FSCAXAN

CONTROL	(X) FLOW SPLIT	(A) SEAL MATERIAL	(N) MATERIAL/COATING
X Not Adjustable	A 50/50	N Buna-N V Viton	Standard Material/Coating /AP Stainless Steel, Passivated



Closed-center flow divider/combiners are sliding-spool, pressure-compensated devices used to split flow in one direction and combine flow in the opposite direction. These valves may be used to accurately control two or more cylinders or hydraulic motors where bidirectional operation is required.

TECHNICAL DATA

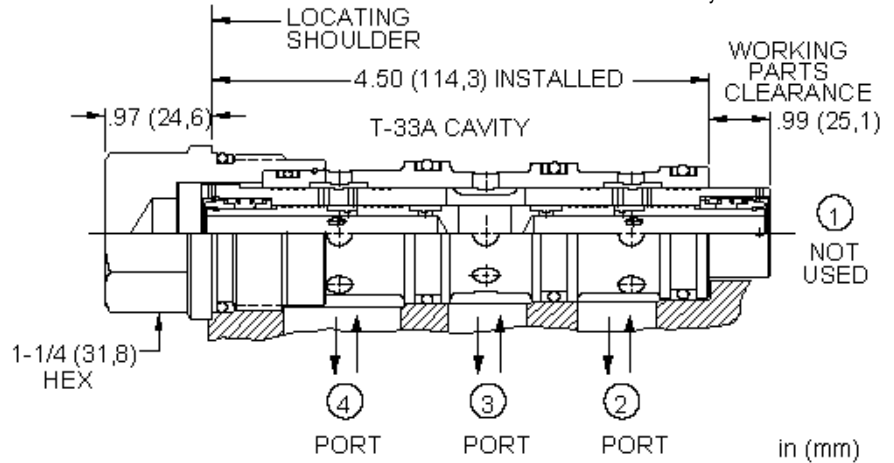
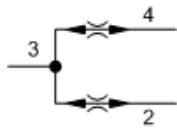
NOTE: DATA MAY VARY BY CONFIGURATION. SEE CONFIGURATION SECTION.

Maximum Operating Pressure	350 bar
Divisional Accuracy at Minimum Input Flow	50% ±4.5%
Divisional Accuracy at Max Input Flow	50% ±2.5%
Pressure Drop at Minimum Rated Input Flow	2 bar
Pressure Drop at Maximum Rated Input Flow	24 bar
Seal kit - Cartridge	Buna: 990032007
Seal kit - Cartridge	EPDM: 990032014
Seal kit - Cartridge	Polyurethane: 990032002
Seal kit - Cartridge	Viton: 990032006

CONFIGURATION OPTIONS

Model Code Example: FSDAXAN

CONTROL	(X) FLOW SPLIT	(A) SEAL MATERIAL	(N) MATERIAL/COATING
X Not Adjustable	A 50/50	N Buna-N E EPDM V Viton	Standard Material/Coating /AP Stainless Steel, Passivated



Closed-center flow divider/combiners are sliding-spool, pressure-compensated devices used to split flow in one direction and combine flow in the opposite direction. These valves may be used to accurately control two or more cylinders or hydraulic motors where bidirectional operation is required.

TECHNICAL DATA

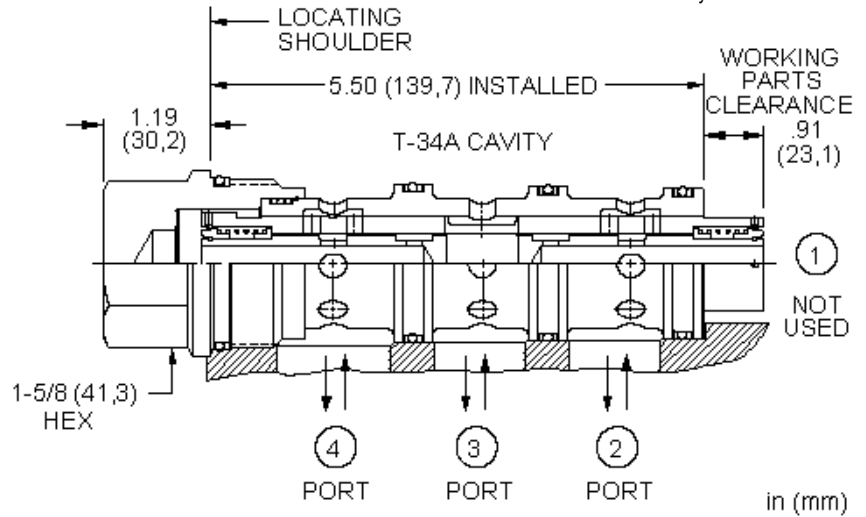
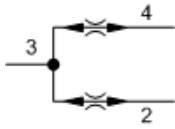
NOTE: DATA MAY VARY BY CONFIGURATION. SEE CONFIGURATION SECTION.

Maximum Operating Pressure	350 bar
Divisional Accuracy at Minimum Input Flow	50% ±4.5%
Divisional Accuracy at Max Input Flow	50% ±2.5%
Pressure Drop at Minimum Rated Input Flow	2 bar
Pressure Drop at Maximum Rated Input Flow	24 bar
Seal kit - Cartridge	Buna: 990033007
Seal kit - Cartridge	Polyurethane: 990033002
Seal kit - Cartridge	Viton: 990033006

CONFIGURATION OPTIONS

Model Code Example: **FSEAXAN**

CONTROL	(X)	FLOW SPLIT	(A)	SEAL MATERIAL	(N)
X Not Adjustable		A 50/50		N Buna-N	
				V Viton	



Closed-center flow divider/combiners are sliding-spool, pressure-compensated devices used to split flow in one direction and combine flow in the opposite direction. These valves may be used to accurately control two or more cylinders or hydraulic motors where bidirectional operation is required.

TECHNICAL DATA

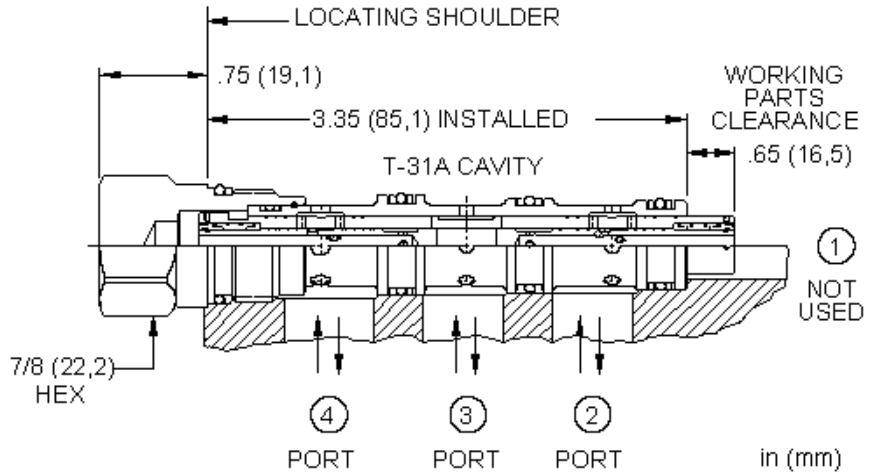
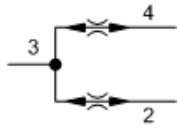
NOTE: DATA MAY VARY BY CONFIGURATION. SEE CONFIGURATION SECTION.

Maximum Operating Pressure	350 bar
Divisional Accuracy at Minimum Input Flow	50% ±4.5%
Divisional Accuracy at Max Input Flow	50% ±2.5%
Pressure Drop at Minimum Rated Input Flow	2 bar
Pressure Drop at Maximum Rated Input Flow	24 bar
Seal kit - Cartridge	Buna: 990034007
Seal kit - Cartridge	Polyurethane: 990034002
Seal kit - Cartridge	Viton: 990034006

CONFIGURATION OPTIONS

Model Code Example: **FSFAXAN**

CONTROL	(X) FLOW SPLIT	(A) SEAL MATERIAL	(N) MATERIAL/COATING
X Not Adjustable	A 50/50	N Buna-N V Viton	Standard Material/Coating



High accuracy, closed-center flow divider/combiners are sliding-spool, pressure-compensated devices used to split flow in one direction and combine flow in the opposite direction. These valves may be used to accurately control two or more cylinders or hydraulic motors where bidirectional operation is required.

TECHNICAL DATA

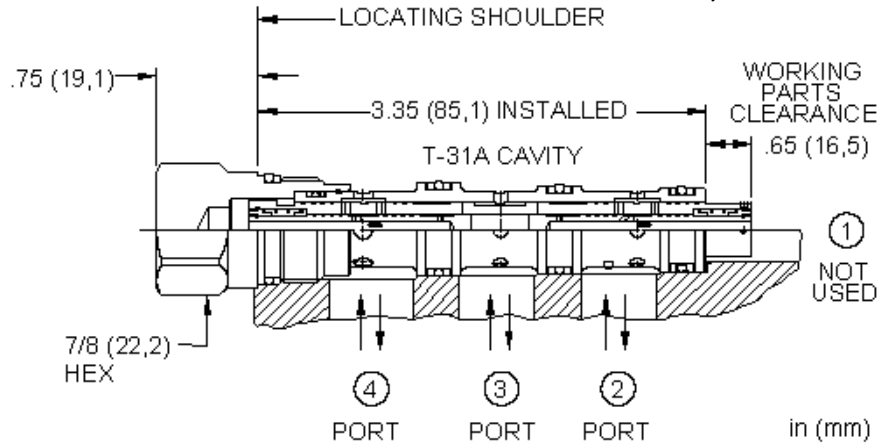
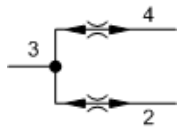
NOTE: DATA MAY VARY BY CONFIGURATION. SEE CONFIGURATION SECTION.

Maximum Operating Pressure	350 bar
Divisional Accuracy at Minimum Input Flow	50% ±3.5%
Divisional Accuracy at Max Input Flow	50% ±2.0%
Pressure Drop at Minimum Rated Input Flow	2 bar
Pressure Drop at Maximum Rated Input Flow	24 bar
Seal kit - Cartridge	Buna: 990031007
Seal kit - Cartridge	Polyurethane: 990031002
Seal kit - Cartridge	Viton: 990031006

CONFIGURATION OPTIONS

Model Code Example: FSAAXAN

CONTROL	(X) FLOW SPLIT	(A) SEAL MATERIAL	(N) MATERIAL/COATING
X Not Adjustable	A 50/50	N Buna-N E EPDM V Viton	Standard Material/Coating /AP Stainless Steel, Passivated



Closed-center flow divider/combiners are sliding-spool, pressure-compensated devices used to split flow in one direction and combine flow in the opposite direction. These valves may be used to accurately control two or more cylinders or hydraulic motors where bidirectional operation is required.

TECHNICAL DATA

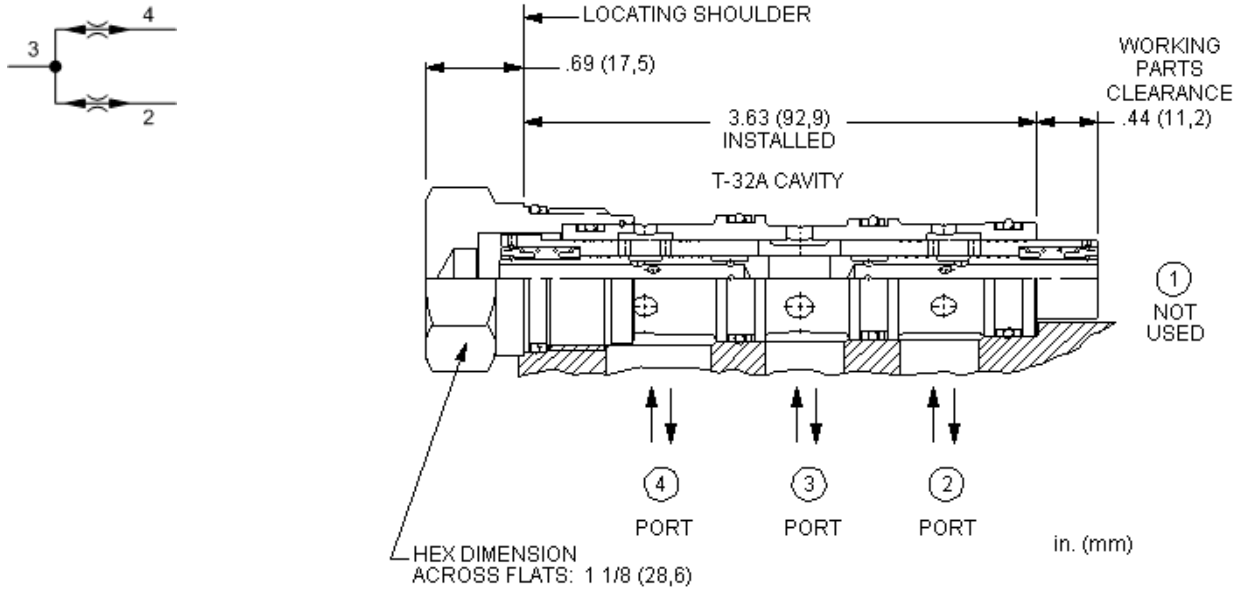
NOTE: DATA MAY VARY BY CONFIGURATION. SEE CONFIGURATION SECTION.

Maximum Operating Pressure	350 bar
Divisional Accuracy at Minimum Input Flow	50% ±3.0%
Divisional Accuracy at Max Input Flow	50% ±2.0%
Pressure Drop at Minimum Rated Input Flow	2 bar
Pressure Drop at Maximum Rated Input Flow	24 bar
Seal kit - Cartridge	Buna: 990031007
Seal kit - Cartridge	Polyurethane: 990031002
Seal kit - Cartridge	Viton: 990031006

CONFIGURATION OPTIONS

Model Code Example: FSBAXAN

CONTROL	(X) FLOW SPLIT	(A) SEAL MATERIAL	(N) MATERIAL/COATING
X Not Adjustable	A 50/50	N Buna-N V Viton	Standard Material/Coating /AP Stainless Steel, Passivated /LH Mild Steel, Zinc-Nickel



High accuracy, closed-center flow divider/combiners are sliding-spool, pressure-compensated devices used to split flow in one direction and combine flow in the opposite direction. These valves may be used to accurately control two or more cylinders or hydraulic motors where bidirectional operation is required.

TECHNICAL DATA

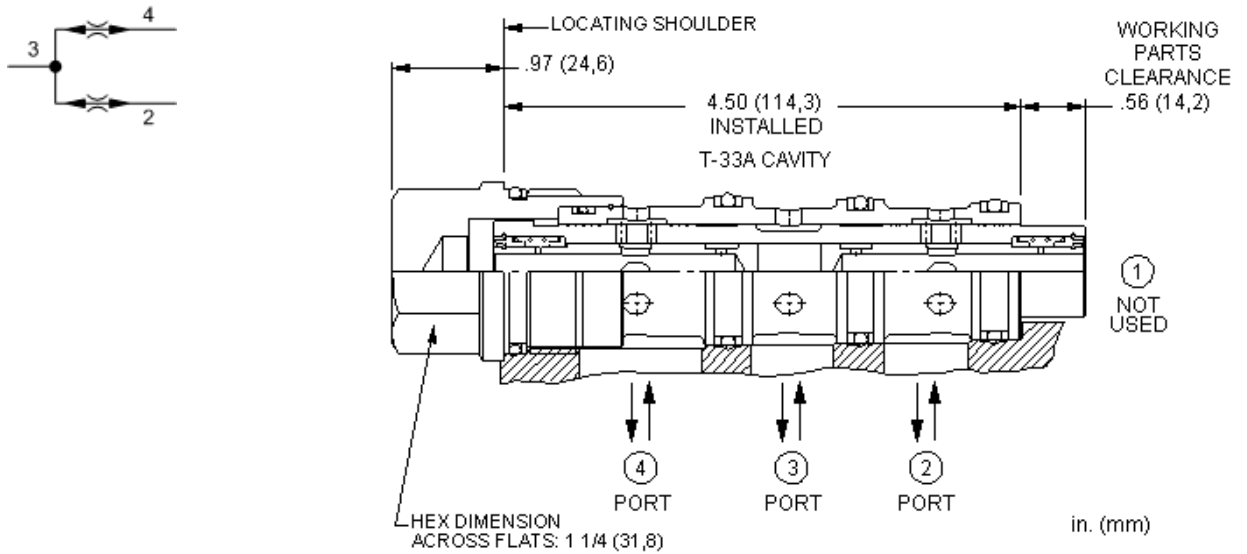
NOTE: DATA MAY VARY BY CONFIGURATION. SEE CONFIGURATION SECTION.

Maximum Operating Pressure	350 bar
Divisional Accuracy at Minimum Input Flow	50% ±2.5%
Divisional Accuracy at Max Input Flow	50% ±1.5%
Pressure Drop at Minimum Rated Input Flow	2 bar
Pressure Drop at Maximum Rated Input Flow	24 bar
Seal kit - Cartridge	Buna: 990032007
Seal kit - Cartridge	Polyurethane: 990032002
Seal kit - Cartridge	Viton: 990032006

CONFIGURATION OPTIONS

Model Code Example: **FSDGXAN**

CONTROL	(X) FLOW SPLIT	(A) SEAL MATERIAL	(N) MATERIAL/COATING
X Not Adjustable	A 50/50	N Buna-N V Viton	Standard Material/Coating /LH Mild Steel, Zinc-Nickel



High accuracy, closed-center flow divider/combiners are sliding-spool, pressure-compensated devices used to split flow in one direction and combine flow in the opposite direction. These valves may be used to accurately control two or more cylinders or hydraulic motors where bidirectional operation is required.

TECHNICAL DATA

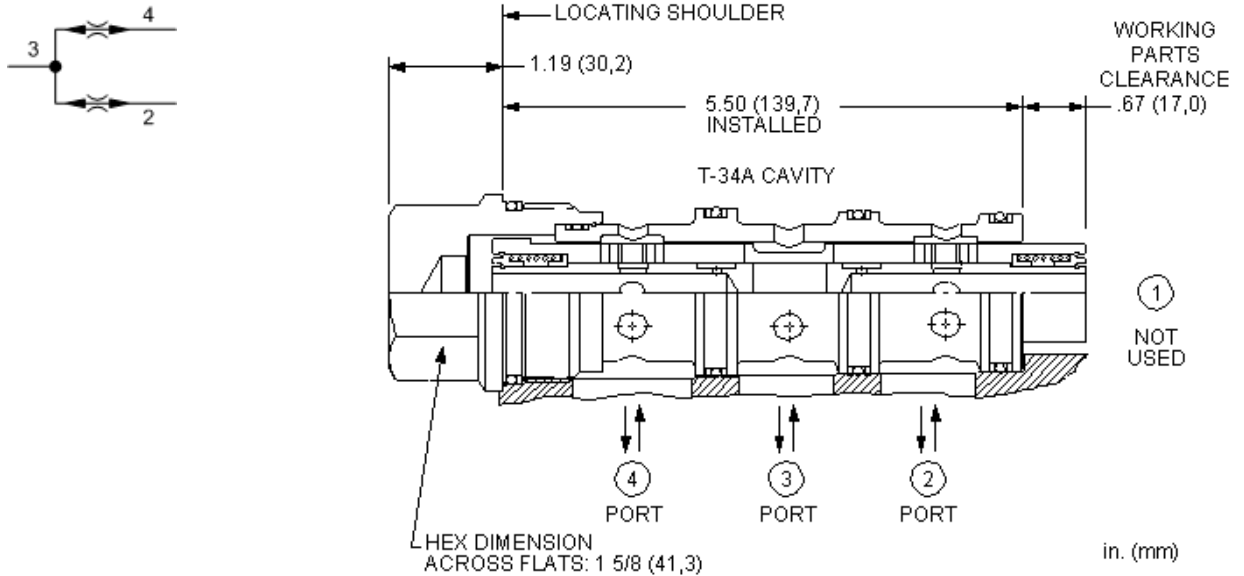
NOTE: DATA MAY VARY BY CONFIGURATION. SEE CONFIGURATION SECTION.

Maximum Operating Pressure	350 bar
Divisional Accuracy at Minimum Input Flow	50% ±2.5%
Divisional Accuracy at Max Input Flow	50% ±1.5%
Pressure Drop at Minimum Rated Input Flow	2 bar
Pressure Drop at Maximum Rated Input Flow	24 bar
Seal kit - Cartridge	Buna: 990033007
Seal kit - Cartridge	Polyurethane: 990033002
Seal kit - Cartridge	Viton: 990033006

CONFIGURATION OPTIONS

Model Code Example: FSEGXAN

CONTROL	(X)	FLOW SPLIT	(A)	SEAL MATERIAL	(N)
X Not Adjustable		A 50/50		N Buna-N	
				V Viton	



High accuracy, closed-center flow divider/combiners are sliding-spool, pressure-compensated devices used to split flow in one direction and combine flow in the opposite direction. These valves may be used to accurately control two or more cylinders or hydraulic motors where bidirectional operation is required.

TECHNICAL DATA

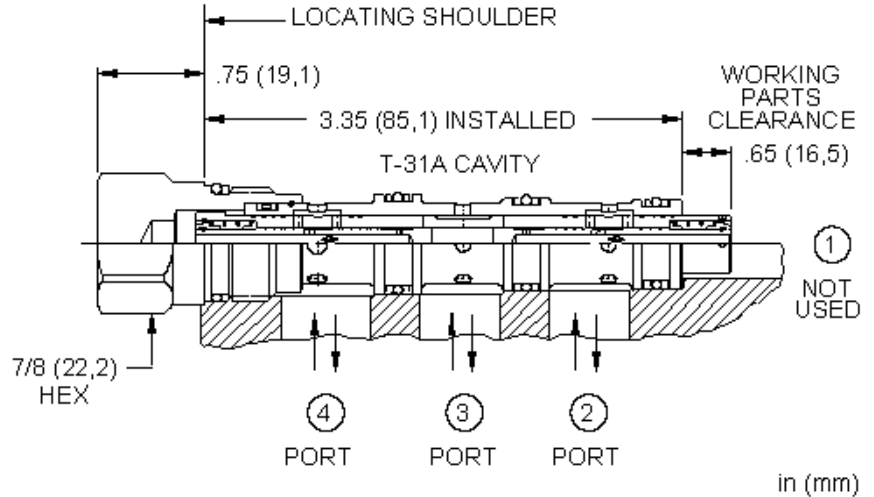
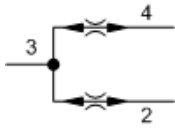
NOTE: DATA MAY VARY BY CONFIGURATION. SEE CONFIGURATION SECTION.

Maximum Operating Pressure	350 bar
Divisional Accuracy at Minimum Input Flow	50% ±2.5%
Divisional Accuracy at Max Input Flow	50% ±1.5%
Pressure Drop at Minimum Rated Input Flow	2 bar
Pressure Drop at Maximum Rated Input Flow	24 bar
Seal kit - Cartridge	Buna: 990034007
Seal kit - Cartridge	Polyurethane: 990034002
Seal kit - Cartridge	Viton: 990034006

CONFIGURATION OPTIONS

Model Code Example: **FSFGXAN**

CONTROL	(X)	FLOW SPLIT	(A)	SEAL MATERIAL	(N)
X Not Adjustable		A 50/50		N Buna-N	
				V Viton	



High-capacity, closed-center flow divider/combiners are sliding-spool, pressure-compensated devices used to split flow in one direction and combine flow in the opposite direction. These valves have approximate 15% greater capacity than standard closed-center divider/combiners and are designed for use in tractive drive systems. Note: Accuracy on these cartridges is not equivalent to the accuracy of standard closed-center divider/combiners.

TECHNICAL DATA

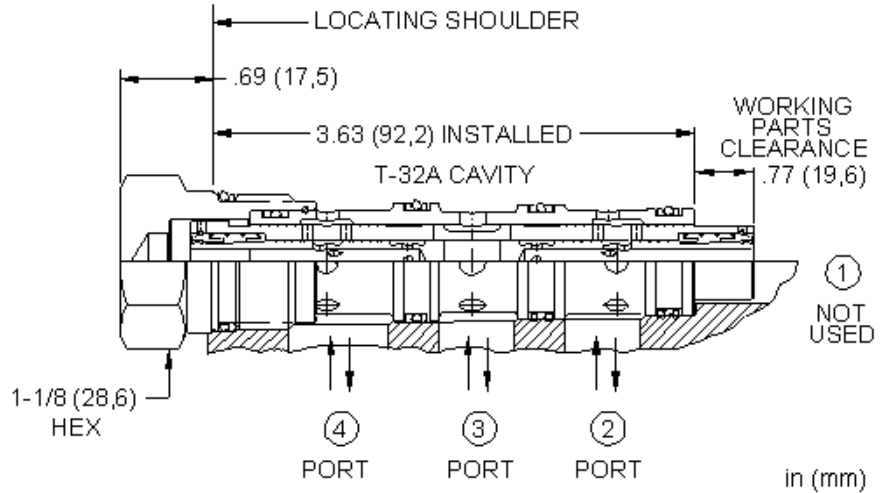
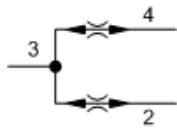
NOTE: DATA MAY VARY BY CONFIGURATION. SEE CONFIGURATION SECTION.

Maximum Operating Pressure	350 bar
Divisional Accuracy at Minimum Input Flow	50% ±6.5%
Divisional Accuracy at Max Input Flow	50% ±3.5%
Pressure Drop at Minimum Rated Input Flow	2 bar
Pressure Drop at Maximum Rated Input Flow	24 bar
Seal kit - Cartridge	Buna: 990031007
Seal kit - Cartridge	Polyurethane: 990031002
Seal kit - Cartridge	Viton: 990031006

CONFIGURATION OPTIONS

Model Code Example: FSCHXAN

CONTROL	(X) FLOW SPLIT	(A) SEAL MATERIAL	(N) MATERIAL/COATING
X Not Adjustable	A 50/50	N Buna-N V Viton	Standard Material/Coating /AP Stainless Steel, Passivated



High-capacity, closed-center flow divider/combiners are sliding-spool, pressure-compensated devices used to split flow in one direction and combine flow in the opposite direction. These valves have approximate 15% greater capacity than standard closed-center divider/combiners and are designed for use in tractive drive systems. Note: Accuracy on these cartridges is not equivalent to the accuracy of standard closed-center divider/combiners.

TECHNICAL DATA

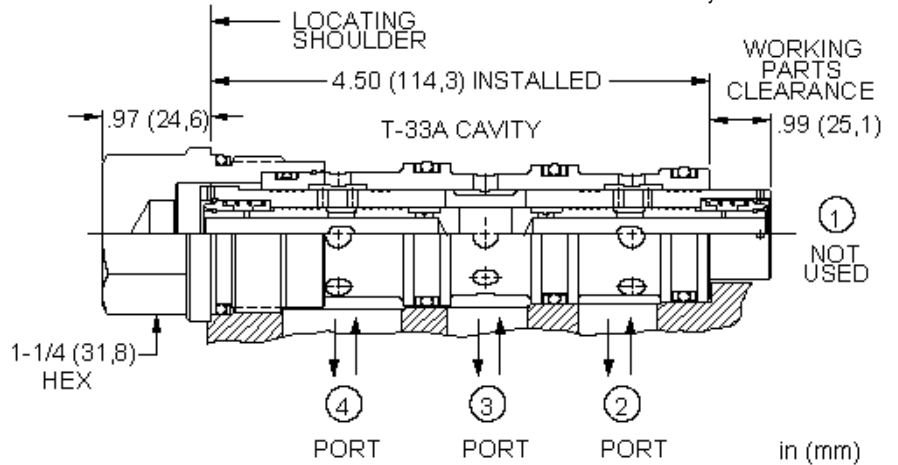
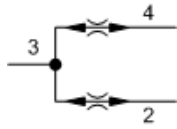
NOTE: DATA MAY VARY BY CONFIGURATION. SEE CONFIGURATION SECTION.

Maximum Operating Pressure	350 bar
Divisional Accuracy at Minimum Input Flow	50% ±6.5%
Divisional Accuracy at Max Input Flow	50% ±3.5%
Pressure Drop at Minimum Rated Input Flow	2 bar
Pressure Drop at Maximum Rated Input Flow	24 bar
Seal kit - Cartridge	Buna: 990032007
Seal kit - Cartridge	Polyurethane: 990032002
Seal kit - Cartridge	Viton: 990032006

CONFIGURATION OPTIONS

Model Code Example: **FSDHXAN**

CONTROL	(X)	FLOW SPLIT	(A)	SEAL MATERIAL	(N)
X Not Adjustable		A 50/50		N Buna-N	
				V Viton	



High-capacity, closed-center flow divider/combiners are sliding-spool, pressure-compensated devices used to split flow in one direction and combine flow in the opposite direction. These valves have approximate 15% greater capacity than standard closed-center divider/combiners and are designed for use in tractive drive systems. Note: Accuracy on these cartridges is not equivalent to the accuracy of standard closed-center divider/combiners.

TECHNICAL DATA

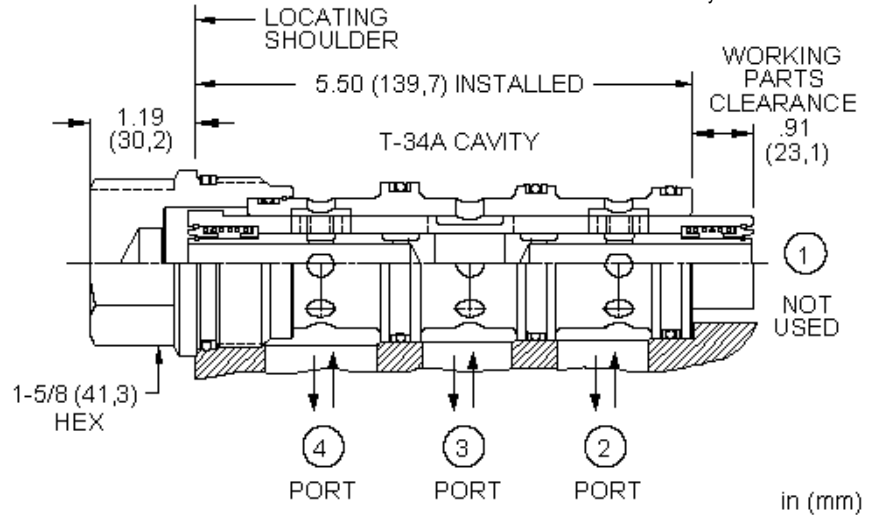
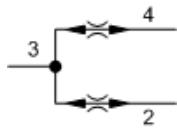
NOTE: DATA MAY VARY BY CONFIGURATION. SEE CONFIGURATION SECTION.

Maximum Operating Pressure	350 bar
Divisional Accuracy at Minimum Input Flow	50% ±6.5%
Divisional Accuracy at Max Input Flow	50% ±3.5%
Pressure Drop at Minimum Rated Input Flow	2 bar
Pressure Drop at Maximum Rated Input Flow	24 bar
Seal kit - Cartridge	Buna: 990033007
Seal kit - Cartridge	Polyurethane: 990033002
Seal kit - Cartridge	Viton: 990033006

CONFIGURATION OPTIONS

Model Code Example: **FSEHXAN**

CONTROL	(X) FLOW SPLIT	(A) SEAL MATERIAL	(N)
X Not Adjustable	A 50/50	N Buna-N	V Viton



High-capacity, closed-center flow divider/combiners are sliding-spool, pressure-compensated devices used to split flow in one direction and combine flow in the opposite direction. These valves have approximate 15% greater capacity than standard closed-center divider/combiners and are designed for use in tractive drive systems. Note: Accuracy on these cartridges is not equivalent to the accuracy of standard closed-center divider/combiners.

TECHNICAL DATA

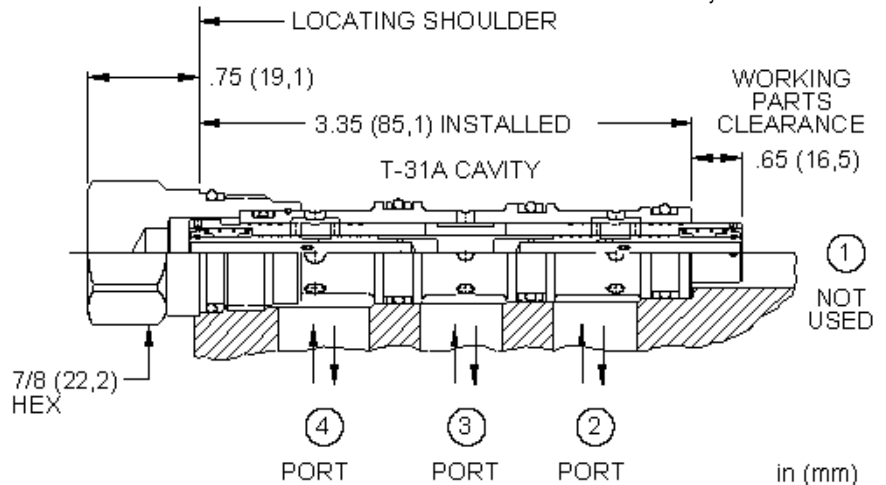
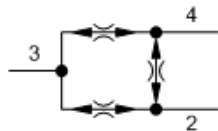
NOTE: DATA MAY VARY BY CONFIGURATION. SEE CONFIGURATION SECTION.

Maximum Operating Pressure	350 bar
Divisional Accuracy at Minimum Input Flow	50% ±6.5%
Divisional Accuracy at Max Input Flow	50% ±3.5%
Pressure Drop at Minimum Rated Input Flow	2 bar
Pressure Drop at Maximum Rated Input Flow	24 bar
Seal kit - Cartridge	Buna: 990034007
Seal kit - Cartridge	Polyurethane: 990034002
Seal kit - Cartridge	Viton: 990034006

CONFIGURATION OPTIONS

Model Code Example: **FSFHAN**

CONTROL	(X) FLOW SPLIT	(A) SEAL MATERIAL	(N) MATERIAL/COATING
X Not Adjustable	A 50/50	N Buna-N V Viton	Standard Material/Coating /LH Mild Steel, Zinc-Nickel



Synchronizing flow divider/combiners are sliding-spool, pressure-compensated devices used to split flow in one direction and combine flow in the opposite direction. With a synchronizing feature, these valves can be used to allow two hydraulic cylinders to fully stroke and synchronize at the end of the stroke. When the first cylinder has reached the end of its stroke, a pressure-compensated, reduced flow is metered to or from the second cylinder until it also reaches the end of its stroke.

TECHNICAL DATA

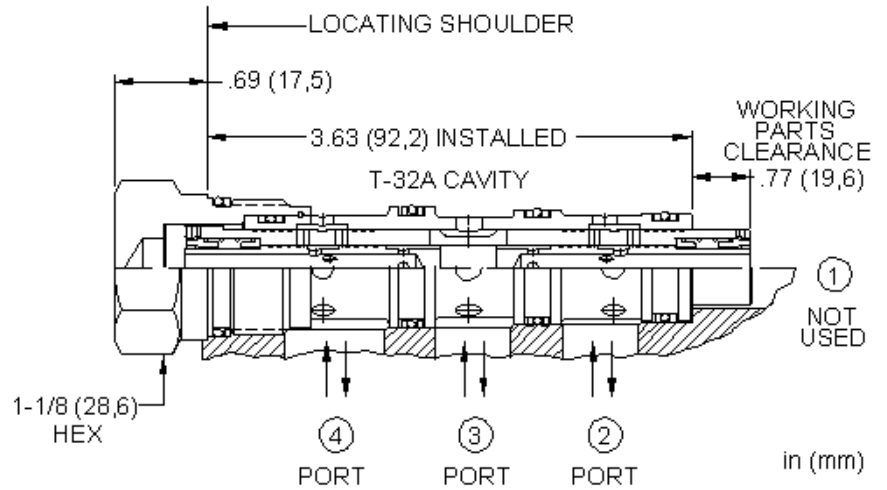
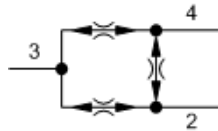
NOTE: DATA MAY VARY BY CONFIGURATION. SEE CONFIGURATION SECTION.

Maximum Operating Pressure	350 bar
Divisional Accuracy at Minimum Input Flow	50% ±4.5%
Divisional Accuracy at Max Input Flow	50% ±2.5%
Pressure Drop at Minimum Rated Input Flow	2 bar
Pressure Drop at Maximum Rated Input Flow	24 bar
Seal kit - Cartridge	Buna: 990031007
Seal kit - Cartridge	Polyurethane: 990031002
Seal kit - Cartridge	Viton: 990031006

CONFIGURATION OPTIONS

Model Code Example: FSCSXAN

CONTROL	(X) FLOW SPLIT	(A) SEAL MATERIAL	(N) MATERIAL/COATING
X Not Adjustable	A 50/50	N Buna-N V Viton	Standard Material/Coating /AP Stainless Steel, Passivated /LH Mild Steel, Zinc-Nickel



Synchronizing flow divider/combiners are sliding-spool, pressure-compensated devices used to split flow in one direction and combine flow in the opposite direction. With a synchronizing feature, these valves can be used to allow two hydraulic cylinders to fully stroke and synchronize at the end of the stroke. When the first cylinder has reached the end of its stroke, a pressure-compensated, reduced flow is metered to or from the second cylinder until it also reaches the end of its stroke.

TECHNICAL DATA

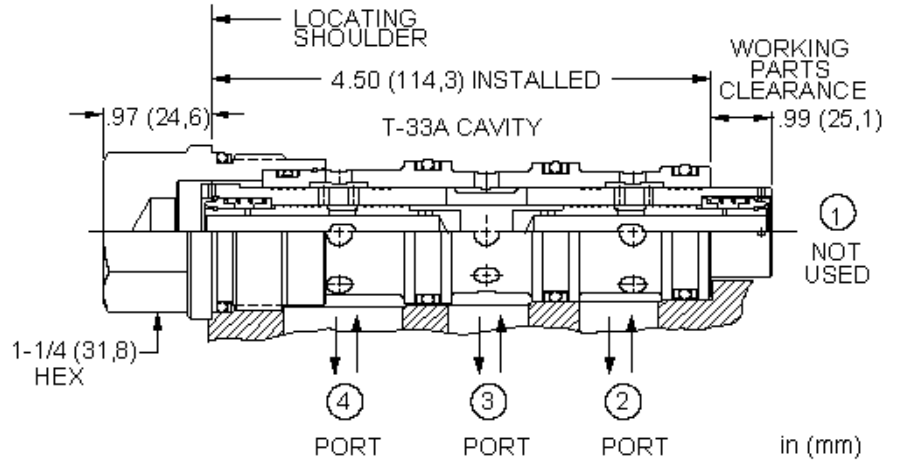
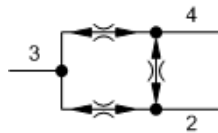
NOTE: DATA MAY VARY BY CONFIGURATION. SEE CONFIGURATION SECTION.

Maximum Operating Pressure	350 bar
Divisional Accuracy at Minimum Input Flow	50% ±4.5%
Divisional Accuracy at Max Input Flow	50% ±2.5%
Pressure Drop at Minimum Rated Input Flow	2 bar
Pressure Drop at Maximum Rated Input Flow	24 bar
Seal kit - Cartridge	Buna: 990032007
Seal kit - Cartridge	Polyurethane: 990032002
Seal kit - Cartridge	Viton: 990032006

CONFIGURATION OPTIONS

Model Code Example: FSDSXAN

CONTROL	(X) FLOW SPLIT	(A) SEAL MATERIAL	(N) MATERIAL/COATING
X Not Adjustable	A 50/50	N Buna-N V Viton	Standard Material/Coating /AP Stainless Steel, Passivated /LH Mild Steel, Zinc-Nickel



Synchronizing flow divider/combiners are sliding-spool, pressure-compensated devices used to split flow in one direction and combine flow in the opposite direction. With a synchronizing feature, these valves can be used to allow two hydraulic cylinders to fully stroke and synchronize at the end of the stroke. When the first cylinder has reached the end of its stroke, a pressure-compensated, reduced flow is metered to or from the second cylinder until it also reaches the end of its stroke.

TECHNICAL DATA

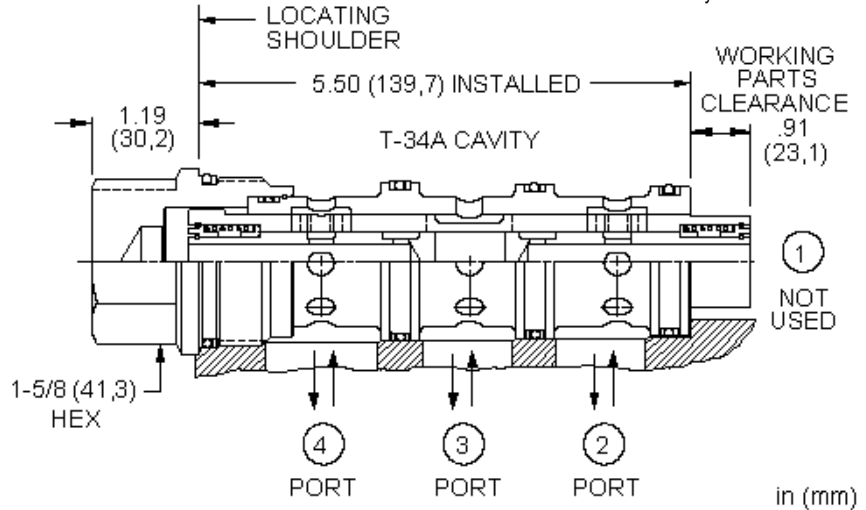
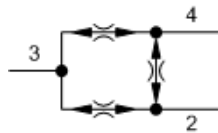
NOTE: DATA MAY VARY BY CONFIGURATION. SEE CONFIGURATION SECTION.

Maximum Operating Pressure	350 bar
Divisional Accuracy at Minimum Input Flow	50% ±4.5%
Divisional Accuracy at Max Input Flow	50% ±2.5%
Pressure Drop at Minimum Rated Input Flow	2 bar
Pressure Drop at Maximum Rated Input Flow	24 bar
Seal kit - Cartridge	Buna: 990033007
Seal kit - Cartridge	Polyurethane: 990033002
Seal kit - Cartridge	Viton: 990033006

CONFIGURATION OPTIONS

Model Code Example: FSESXAN

CONTROL	(X) FLOW SPLIT	(A) SEAL MATERIAL	(N) MATERIAL/COATING
X Not Adjustable	A 50/50	N Buna-N V Viton	Standard Material/Coating /AP Stainless Steel, Passivated



Synchronizing flow divider/combiners are sliding-spool, pressure-compensated devices used to split flow in one direction and combine flow in the opposite direction. With a synchronizing feature, these valves can be used to allow two hydraulic cylinders to fully stroke and synchronize at the end of the stroke. When the first cylinder has reached the end of its stroke, a pressure-compensated, reduced flow is metered to or from the second cylinder until it also reaches the end of its stroke.

TECHNICAL DATA

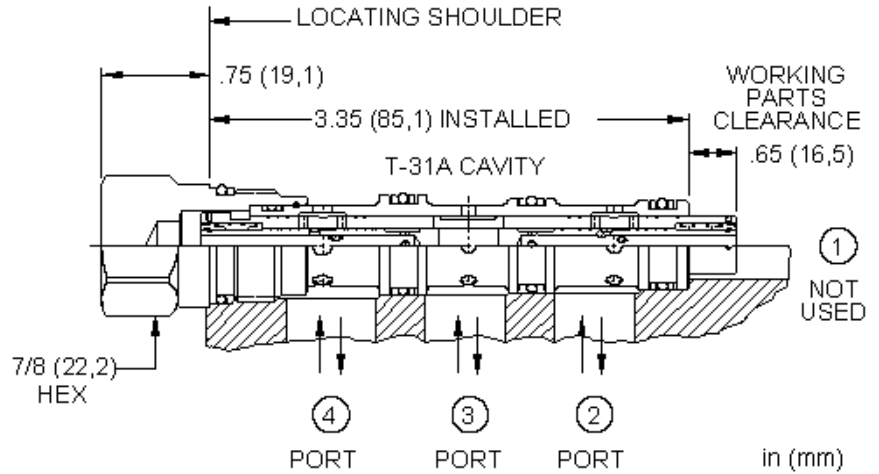
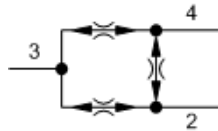
NOTE: DATA MAY VARY BY CONFIGURATION. SEE CONFIGURATION SECTION.

Maximum Operating Pressure	350 bar
Divisional Accuracy at Minimum Input Flow	50% ±4.5%
Divisional Accuracy at Max Input Flow	50% ±2.5%
Pressure Drop at Minimum Rated Input Flow	2 bar
Pressure Drop at Maximum Rated Input Flow	24 bar
Seal kit - Cartridge	Buna: 990034007
Seal kit - Cartridge	Polyurethane: 990034002
Seal kit - Cartridge	Viton: 990034006

CONFIGURATION OPTIONS

Model Code Example: FSFSXAN

CONTROL	(X) FLOW SPLIT	(A) SEAL MATERIAL	(N) MATERIAL/COATING
X Not Adjustable	A 50/50	N Buna-N V Viton	Standard Material/Coating /AP Stainless Steel, Passivated



High accuracy, synchronizing flow divider/combiners are sliding-spool, pressure-compensated devices used to split flow in one direction and combine flow in the opposite direction. With a synchronizing feature, these valves can be used to allow two hydraulic cylinders to fully stroke and synchronize at the end of the stroke. When the first cylinder has reached the end of its stroke, a pressure-compensated, reduced flow is metered to or from the second cylinder until it also reaches the end of its stroke.

TECHNICAL DATA

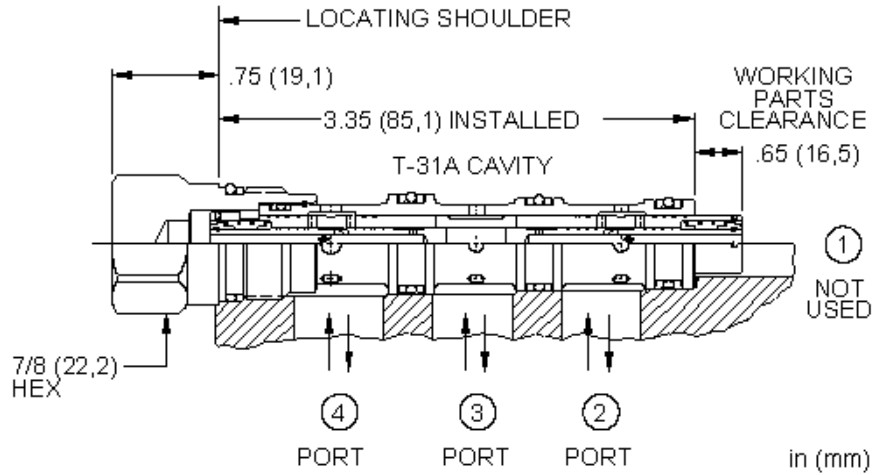
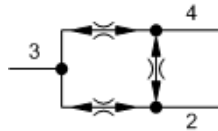
NOTE: DATA MAY VARY BY CONFIGURATION. SEE CONFIGURATION SECTION.

Maximum Operating Pressure	350 bar
Divisional Accuracy at Minimum Input Flow	50% ±3.5%
Divisional Accuracy at Max Input Flow	50% ±2.0%
Pressure Drop at Minimum Rated Input Flow	2 bar
Pressure Drop at Maximum Rated Input Flow	24 bar
Seal kit - Cartridge	Buna: 990031007
Seal kit - Cartridge	Polyurethane: 990031002
Seal kit - Cartridge	Viton: 990031006

CONFIGURATION OPTIONS

Model Code Example: FSASXAN

CONTROL	(X) FLOW SPLIT	(A) SEAL MATERIAL	(N) MATERIAL/COATING
X Not Adjustable	A 50/50	N Buna-N E EPDM V Viton	Standard Material/Coating /AP Stainless Steel, Passivated /LH Mild Steel, Zinc-Nickel



Synchronizing flow divider/combiners are sliding-spool, pressure-compensated devices used to split flow in one direction and combine flow in the opposite direction. With a synchronizing feature, these valves can be used to allow two hydraulic cylinders to fully stroke and synchronize at the end of the stroke. When the first cylinder has reached the end of its stroke, a pressure-compensated, reduced flow is metered to or from the second cylinder until it also reaches the end of its stroke.

TECHNICAL DATA

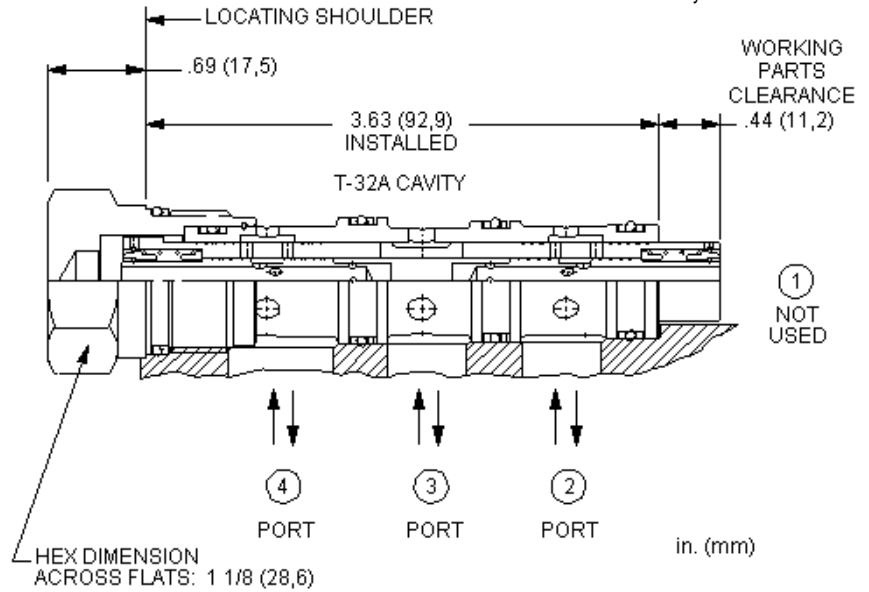
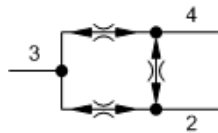
NOTE: DATA MAY VARY BY CONFIGURATION. SEE CONFIGURATION SECTION.

Maximum Operating Pressure	350 bar
Divisional Accuracy at Minimum Input Flow	50% ±3.0%
Divisional Accuracy at Max Input Flow	50% ±2.0%
Pressure Drop at Minimum Rated Input Flow	2 bar
Pressure Drop at Maximum Rated Input Flow	24 bar
Seal kit - Cartridge	Buna: 990031007
Seal kit - Cartridge	Polyurethane: 990031002
Seal kit - Cartridge	Viton: 990031006

CONFIGURATION OPTIONS

Model Code Example: FSBSXAN

CONTROL	(X) FLOW SPLIT	(A) SEAL MATERIAL	(N) MATERIAL/COATING
X Not Adjustable	A 50/50	N Buna-N V Viton	Standard Material/Coating /AP Stainless Steel, Passivated /LH Mild Steel, Zinc-Nickel



High accuracy, synchronizing flow divider/combiners are sliding-spool, pressure-compensated devices used to split flow in one direction and combine flow in the opposite direction. With a synchronizing feature, these valves can be used to allow two hydraulic cylinders to fully stroke and synchronize at the end of the stroke. When the first cylinder has reached the end of its stroke, a pressure-compensated, reduced flow is metered to or from the second cylinder until it also reaches the end of its stroke.

TECHNICAL DATA

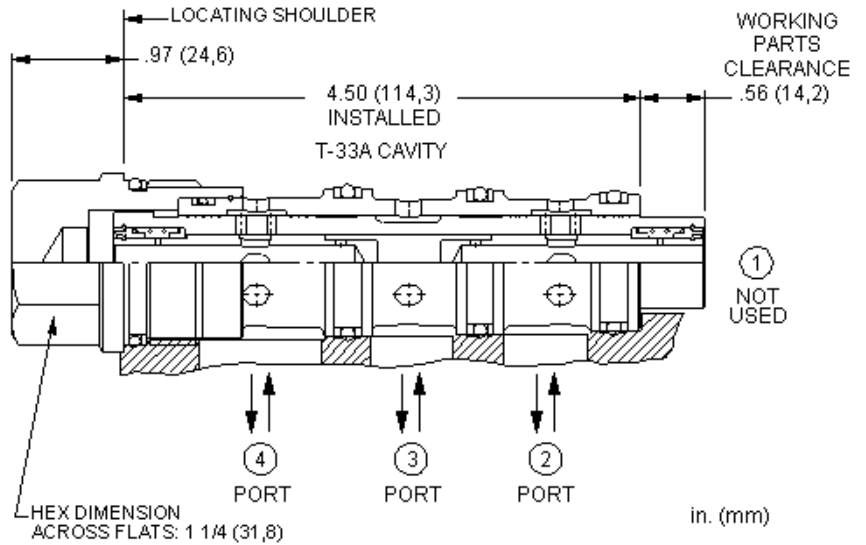
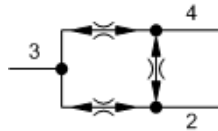
NOTE: DATA MAY VARY BY CONFIGURATION. SEE CONFIGURATION SECTION.

Maximum Operating Pressure	350 bar
Divisional Accuracy at Minimum Input Flow	50% ±3.0%
Divisional Accuracy at Max Input Flow	50% ±2.0%
Pressure Drop at Minimum Rated Input Flow	2 bar
Pressure Drop at Maximum Rated Input Flow	24 bar
Seal kit - Cartridge	Buna: 990032007
Seal kit - Cartridge	Polyurethane: 990032002
Seal kit - Cartridge	Viton: 990032006

CONFIGURATION OPTIONS

Model Code Example: **FSDRXAN**

CONTROL	(X) FLOW SPLIT	(A) SEAL MATERIAL	(N) MATERIAL/COATING
X Not Adjustable	A 50/50	N Buna-N V Viton	Standard Material/Coating /AP Stainless Steel, Passivated



High accuracy, synchronizing flow divider/combiners are sliding-spool, pressure-compensated devices used to split flow in one direction and combine flow in the opposite direction. With a synchronizing feature, these valves can be used to allow two hydraulic cylinders to fully stroke and synchronize at the end of the stroke. When the first cylinder has reached the end of its stroke, a pressure-compensated, reduced flow is metered to or from the second cylinder until it also reaches the end of its stroke.

TECHNICAL DATA

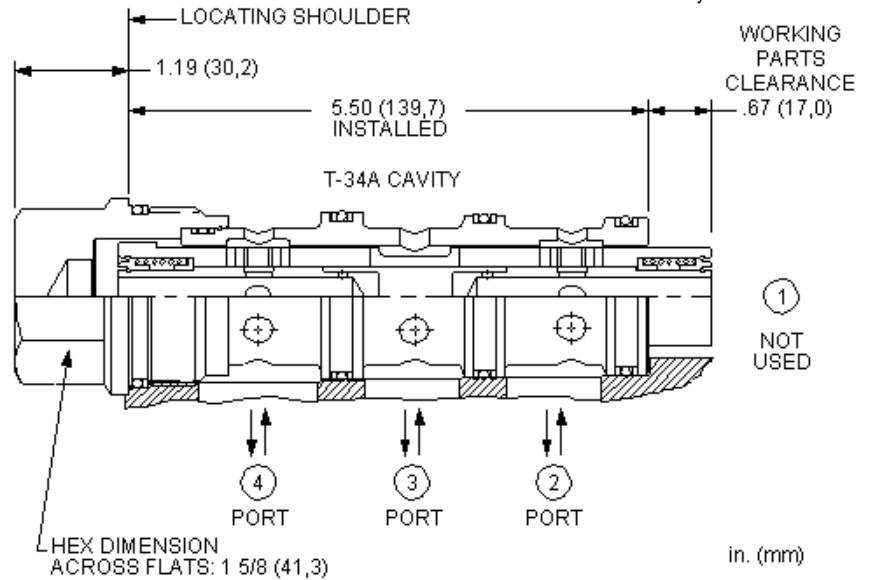
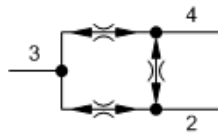
NOTE: DATA MAY VARY BY CONFIGURATION. SEE CONFIGURATION SECTION.

Maximum Operating Pressure	350 bar
Divisional Accuracy at Minimum Input Flow	50% ±2.5%
Divisional Accuracy at Max Input Flow	50% ±1.5%
Pressure Drop at Minimum Rated Input Flow	2 bar
Pressure Drop at Maximum Rated Input Flow	24 bar
Seal kit - Cartridge	Buna: 990033007
Seal kit - Cartridge	Polyurethane: 990033002
Seal kit - Cartridge	Viton: 990033006

CONFIGURATION OPTIONS

Model Code Example: FSERXAN

CONTROL	(X) FLOW SPLIT	(A) SEAL MATERIAL	(N) MATERIAL/COATING
X Not Adjustable	A 50/50	N Buna-N V Viton	Standard Material/Coating /LH Mild Steel, Zinc-Nickel



High accuracy, synchronizing flow divider/combiners are sliding-spool, pressure-compensated devices used to split flow in one direction and combine flow in the opposite direction. With a synchronizing feature, these valves can be used to allow two hydraulic cylinders to fully stroke and synchronize at the end of the stroke. When the first cylinder has reached the end of its stroke, a pressure-compensated, reduced flow is metered to or from the second cylinder until it also reaches the end of its stroke.

TECHNICAL DATA

NOTE: DATA MAY VARY BY CONFIGURATION. SEE CONFIGURATION SECTION.

Maximum Operating Pressure	350 bar
Divisional Accuracy at Minimum Input Flow	50% ±2.5%
Divisional Accuracy at Max Input Flow	50% ±1.5%
Pressure Drop at Minimum Rated Input Flow	2 bar
Pressure Drop at Maximum Rated Input Flow	24 bar
Seal kit - Cartridge	Buna: 990034007
Seal kit - Cartridge	Polyurethane: 990034002
Seal kit - Cartridge	Viton: 990034006

CONFIGURATION OPTIONS

Model Code Example: FSFRXAN

CONTROL	(X) FLOW SPLIT	(A) SEAL MATERIAL	(N) MATERIAL/COATING
X Not Adjustable	A 50/50	N Buna-N V Viton	Standard Material/Coating /AP Stainless Steel, Passivated /LH Mild Steel, Zinc-Nickel

smart SOLUTIONS for DEMANDING applications



www.sunhydraulics.com

Sun Hydraulics Headquarters
Sarasota, Florida USA
+1 941 362 1200

Sun Hydraulics Limited
Coventry England
+44 2476 217 400
sales@sunuk.com

Sun Hydraulik GmbH
Erkelenz Germany
+49 2431 80910
sales@sunhydraulik.de

Sun Hydraulics Corp. (India)
Bangalore India
+91 8028 456325
sunindiainfo@sunhydraulics.com

Sun Hydraulics Korea Corp.
Incheon Korea
+82 3281 31350
sales@sunhydraulics.co.kr

Sun Hydraulics China Co. Ltd.
Shanghai P.R. China
+86 2162 375885
sunchinainfo@sunhydraulics.com

Sun Hydraulics Corp. (S.America)
Rosario, Argentina
+54 9 341 584 3075
ventas@sunhydraulics.com